



US00D347067S

United States Patent [19]

[11] Patent Number: **Des. 347,067**

Shartle et al.

[45] Date of Patent: **** May 17, 1994**

[54] **ANALYTICAL CARTRIDGE FOR TESTING BIOLOGICAL FLUIDS**

[75] Inventors: **Robert Shartle**, Livermore; **William Aldrich**, Redwood City, both of Calif.

[73] Assignee: **Biotrack, Inc.**, Fremont, Calif.

[**] Term: **14 Years**

[21] Appl. No.: **670,151**

[22] Filed: **Mar. 15, 1991**

[52] U.S. Cl. **D24/223; D24/225**

[58] Field of Search **422/50, 55, 56, 58, 422/57, 61, 68.1, 102; 436/44, 520; D24/223, 224, 225, 230**

[56] **References Cited**

U.S. PATENT DOCUMENTS

D. 292,230	10/1987	Holen	D24/225
D. 299,860	2/1989	Fan et al.	D24/225
D. 302,294	7/1989	Hillman	D24/223
D. 315,600	3/1991	Niven	D24/223
4,318,994	3/1982	Meyer et al.	D24/224 X
4,883,763	11/1989	Holen et al.	422/102 X
5,000,923	3/1991	Coville et al.	422/102 X
5,006,474	4/1991	Horstman et al.	422/61 X

Primary Examiner—James R. Largen

Assistant Examiner—I. Simmons
Attorney, Agent, or Firm—Cooley Godward Castro
Huddleson & Tatum

[57] **CLAIM**

The ornamental design for an analytical cartridge for testing biological fluids, as shown and described.

DESCRIPTION

FIG. 1 is a perspective view of one embodiment of the analytical cartridge for testing biological fluids, showing our new design;

FIG. 2 is a perspective view of the opposite side of the embodiment shown in FIG. 1;

FIG. 3 is a perspective view of a second embodiment of FIG. 1;

FIG. 4 is a rear elevation view of the embodiment shown in FIG. 1;

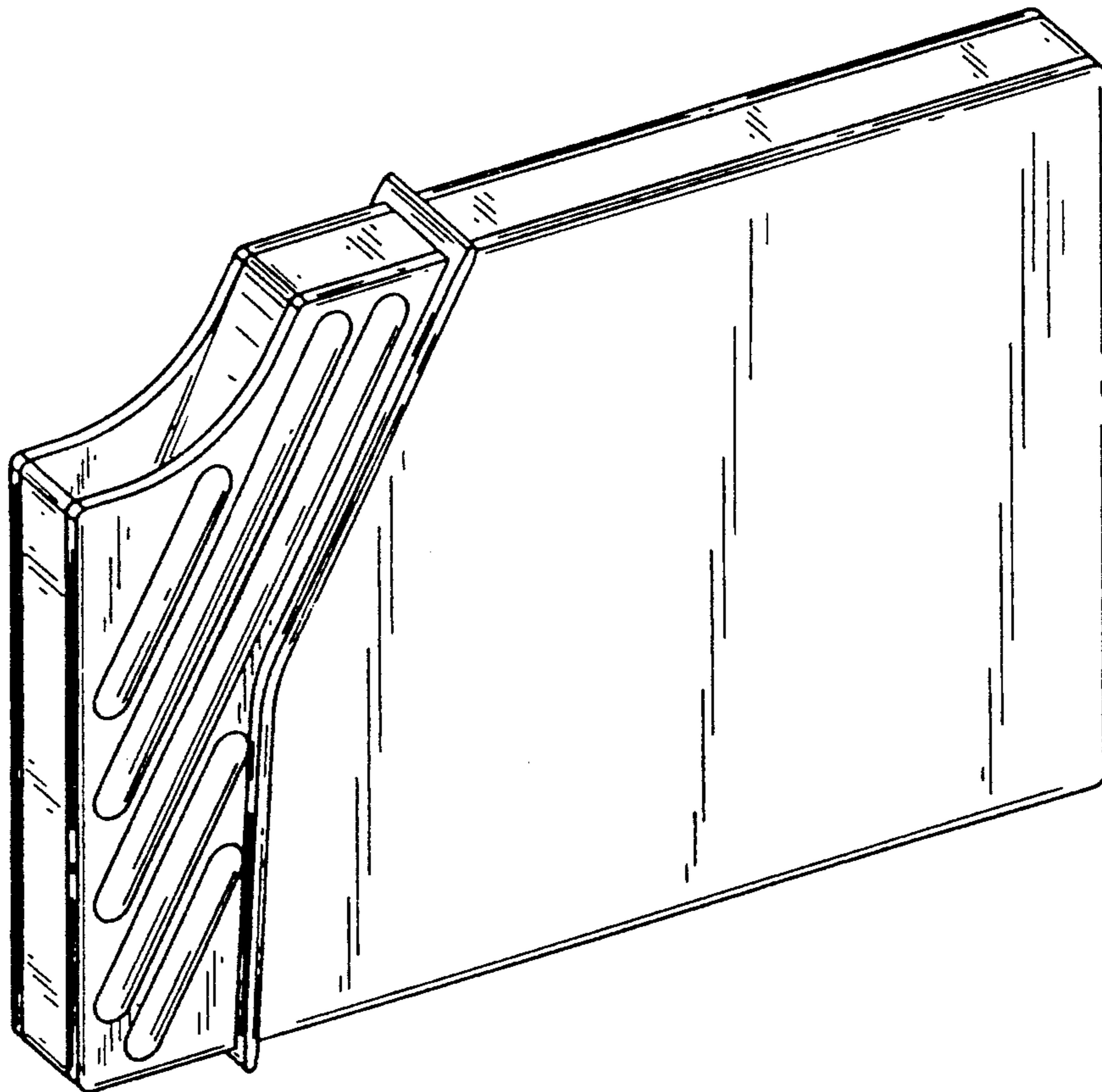
FIG. 5 is a front elevation view of the embodiment shown in FIG. 1;

FIG. 6 is a top plan view of the embodiment shown in FIG. 1;

FIG. 7 is a bottom plan view of the embodiment shown in FIG. 1;

FIG. 8 is a right side elevation view of the embodiment shown in FIG. 1; and,

FIG. 9 is a left side elevation view of the embodiment shown in FIG. 1.



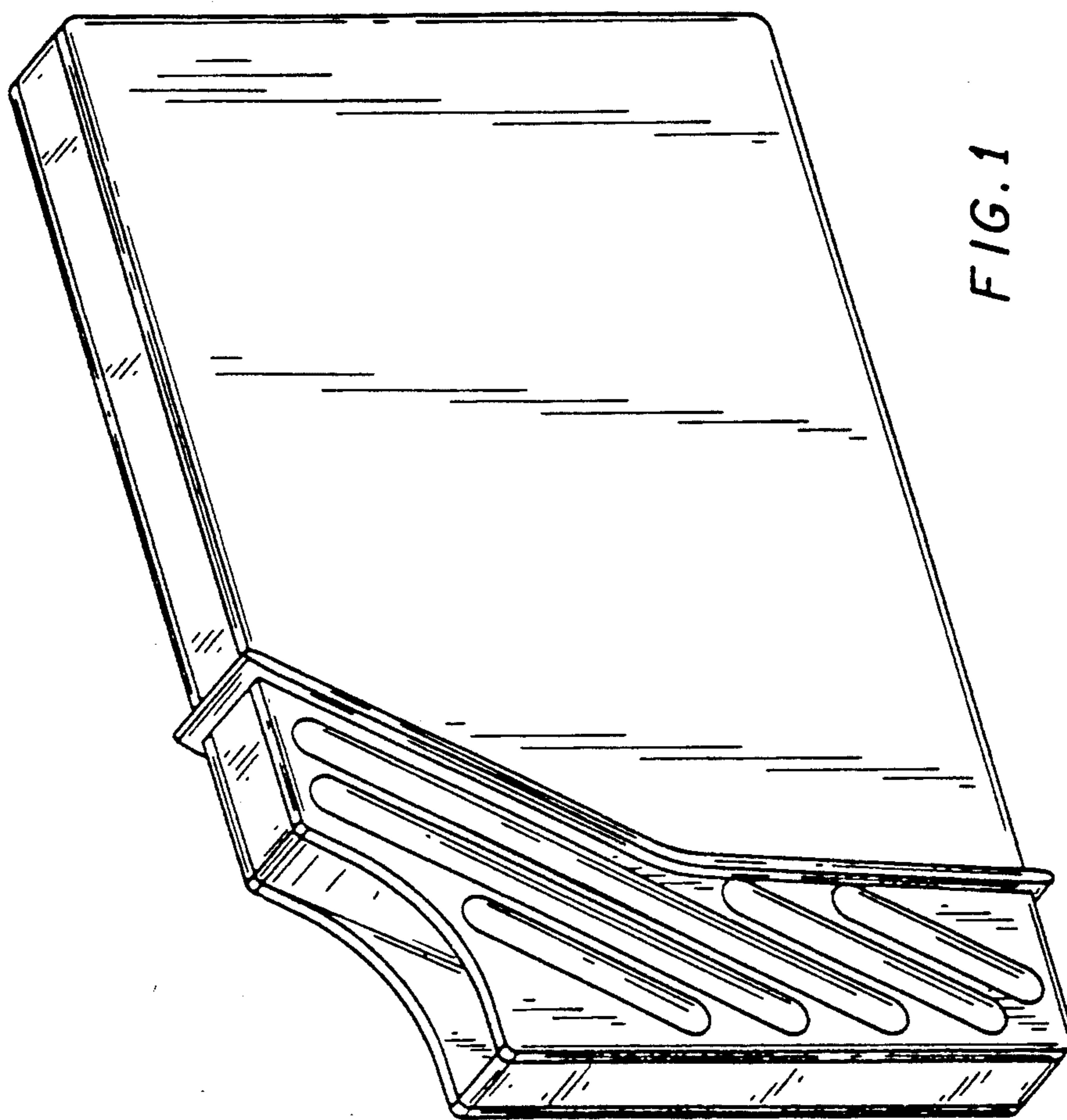


FIG. 1

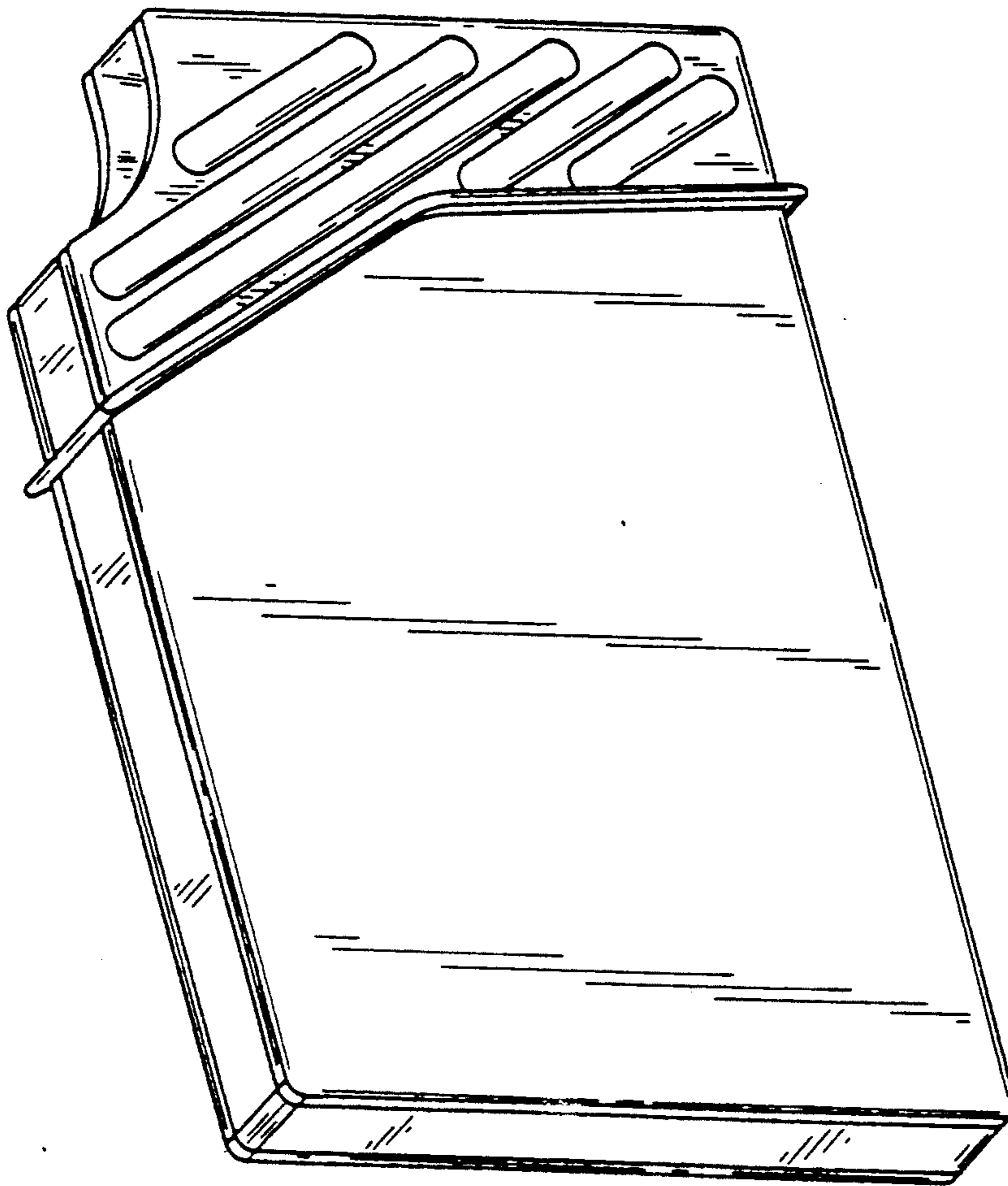


FIG. 2

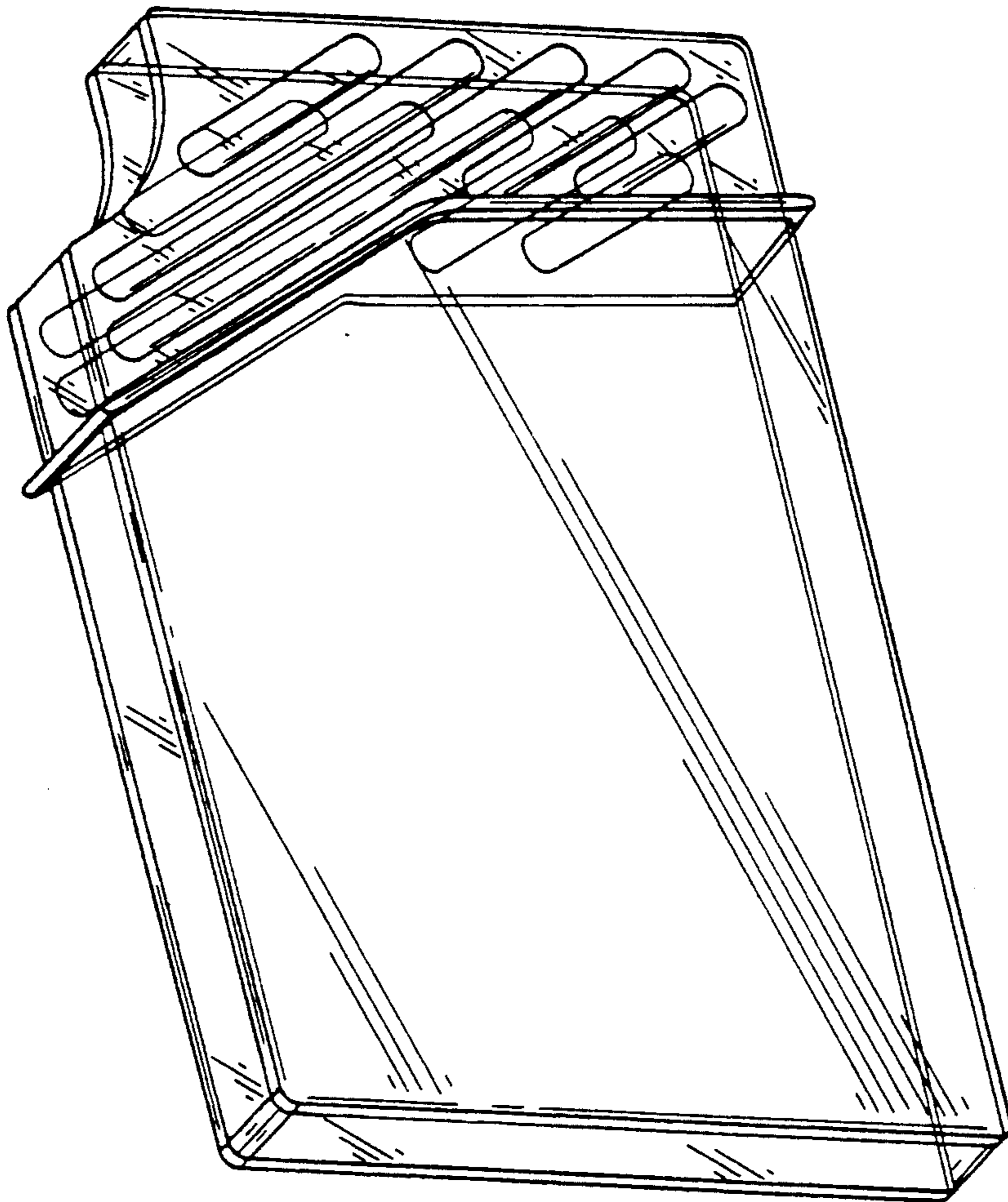


FIG. 3

FIG. 6

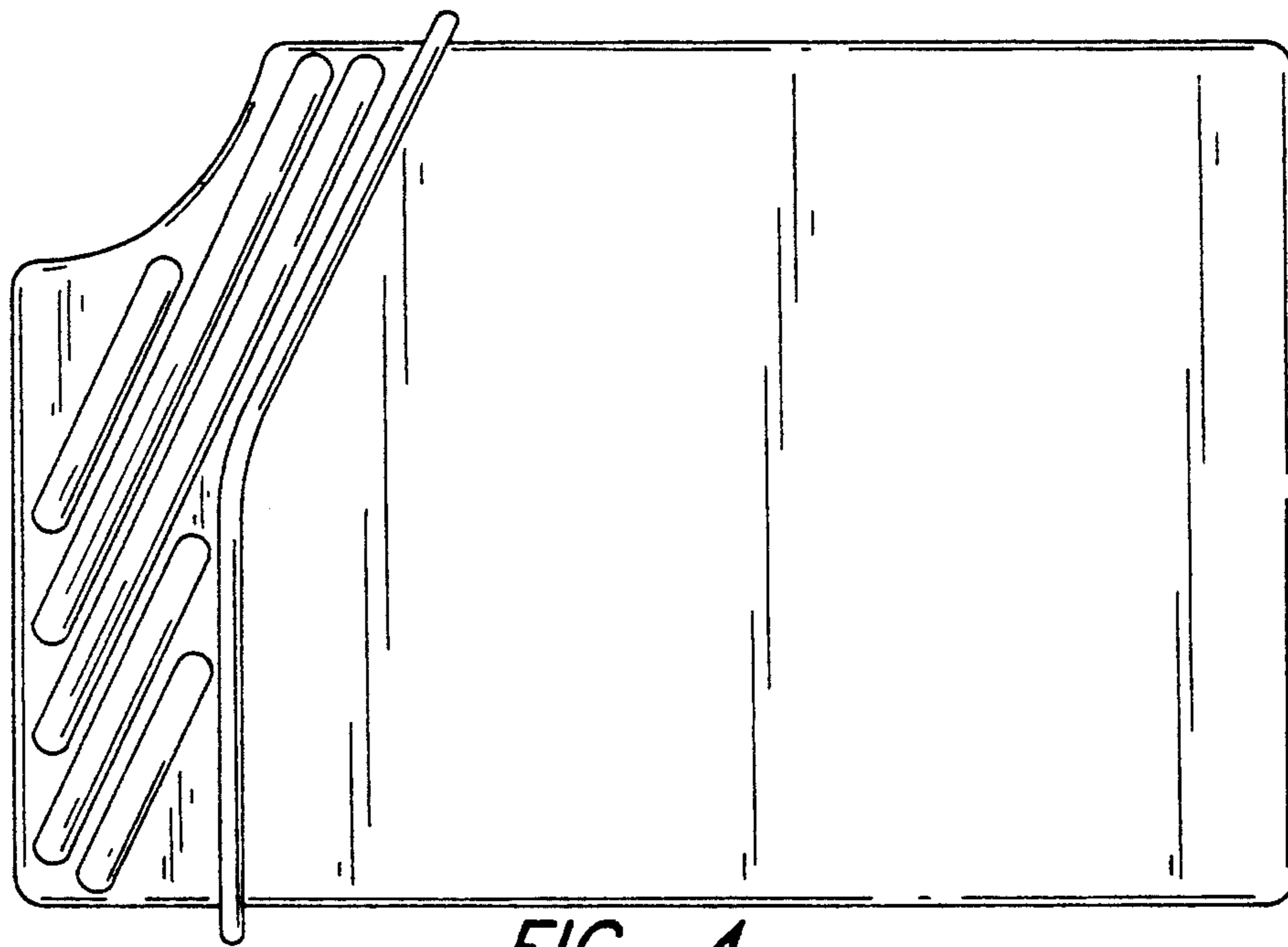
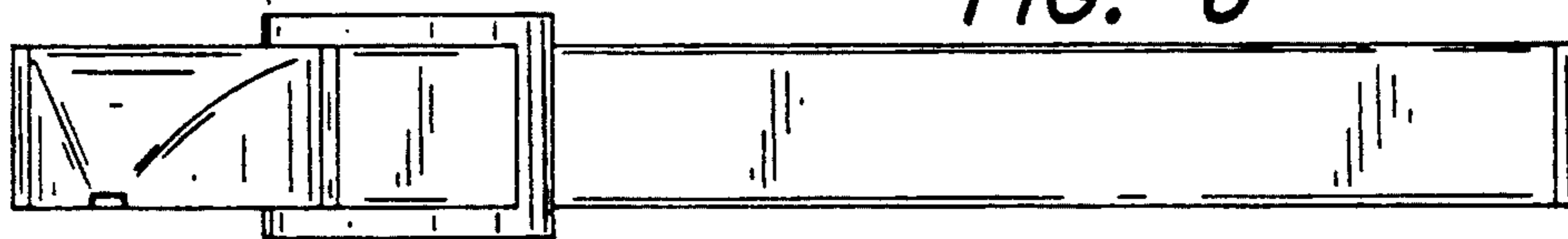


FIG. 4

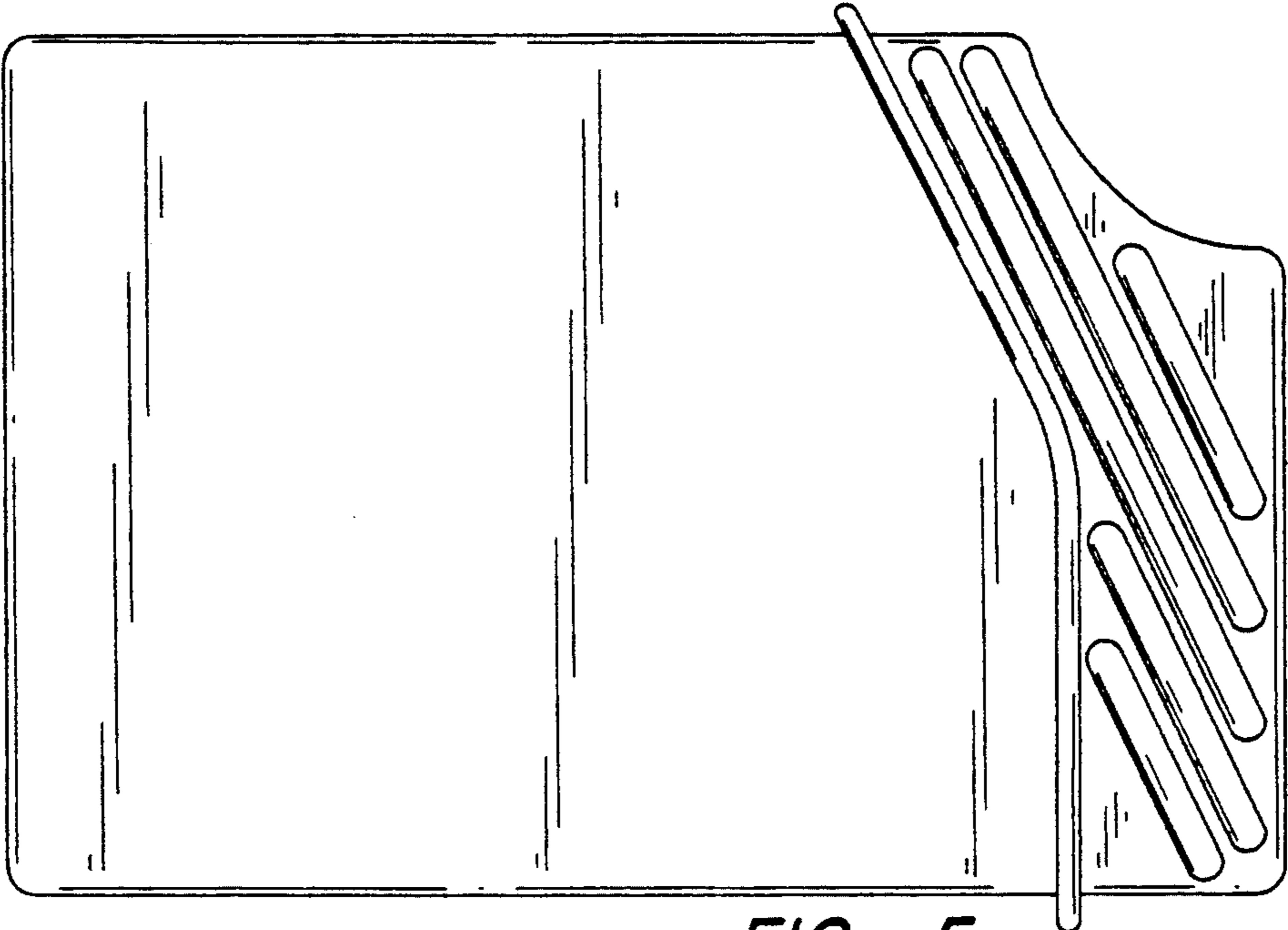


FIG. 5

FIG. 7

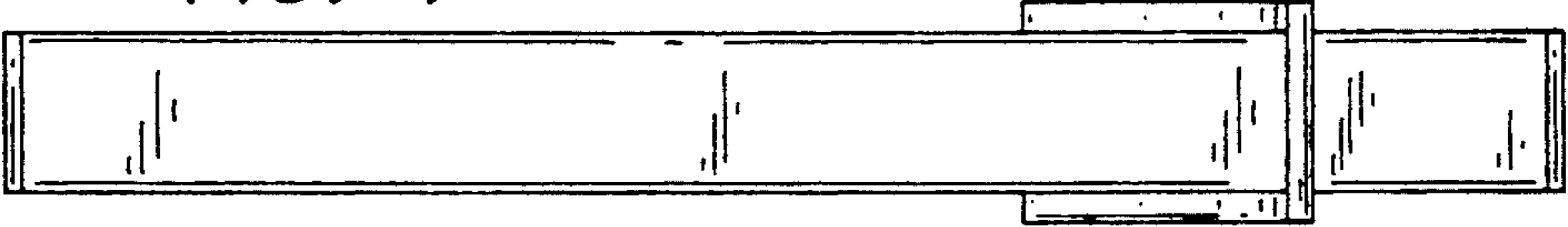


FIG. 8

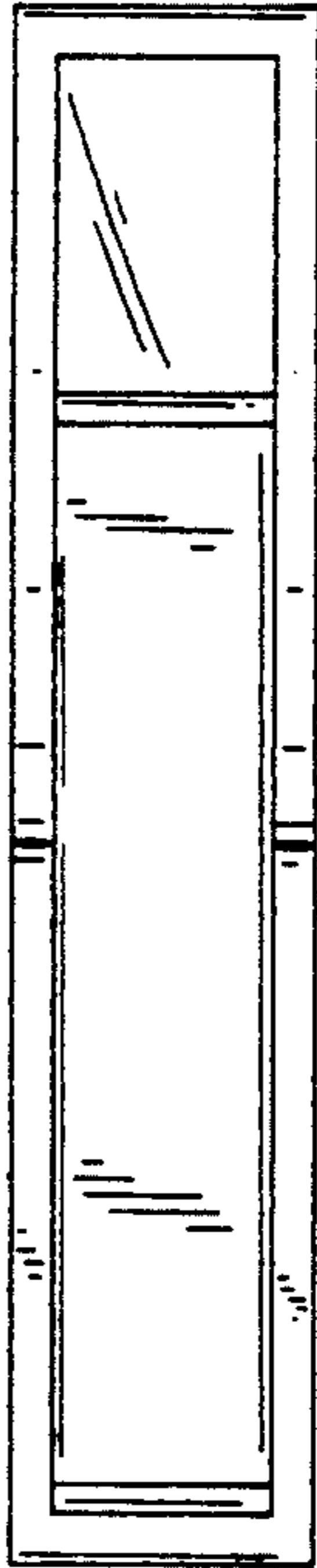


FIG. 9

