



US00D347053S

# United States Patent [19] Reid

[11] Patent Number: **Des. 347,053**  
[45] Date of Patent: **\*\* May 17, 1994**

## [54] LAVATORY

[75] Inventor: **Mary J. Reid, Sheboygan, Wis.**

[73] Assignee: **Kohler Co., Kohler, Wis.**

[\*\*] Term: **14 Years**

[21] Appl. No.: **824,492**

[22] Filed: **Jan. 22, 1992**

[52] U.S. Cl. .... **D23/285**

[58] Field of Search ..... 4/619, 630, 639, 640,  
4/642, 643, 644, 646, 647, 648, 650;  
D23/284-294

## [56] References Cited

### U.S. PATENT DOCUMENTS

D. 78,257	4/1929	Bonner, Jr. ....	D23/285
D. 186,301	10/1959	Horwitz .....	D23/285
D. 208,762	10/1967	Campi .....	D23/285
D. 213,558	3/1969	Colborn .....	D23/285
D. 241,846	10/1976	Ribits et al. ....	D23/285
D. 242,859	12/1976	Gruber .....	D23/285
D. 243,325	2/1977	Krause et al. ....	D23/285
D. 288,352	2/1987	Smith .....	D23/285
D. 288,353	2/1987	Smith .....	D23/285
D. 340,966	11/1993	Wagner .....	D23/285

## OTHER PUBLICATIONS

Undated ad, admitted prior art, for an Auburn Brass lavatory.

Undated Giorgio ad, admitted prior art, showing its Ocotillo model.

Undated ad, admitted prior art, from an unknown magazine showing examples of sculptured, ridged basins.

Nov. 1989 specification sheet for Altmans tubs and sinks.

Undated Kohler ad, admitted prior art, showing its Model K-2199.

Undated page from an unknown magazine, admitted prior art, showing a curtain.

*Primary Examiner*—James R. Largen

*Attorney, Agent, or Firm*—Quarles & Brady

## [57] CLAIM

The ornamental design for a lavatory, as shown and described.

## DESCRIPTION

FIG. 1 is a perspective view taken from the top, front and left side of a lavatory showing my new design;

FIG. 2 is a top plan view thereof;

FIG. 3 is a cross-sectional view taken on line 3—3 of FIG. 2; and,

FIG. 4 is a cross-sectional view taken on line 4—4 of FIG. 2.

The fragmental broken line representation of a counter top in FIG. 1 is for the purpose of illustration only and forms no part of the claimed design.

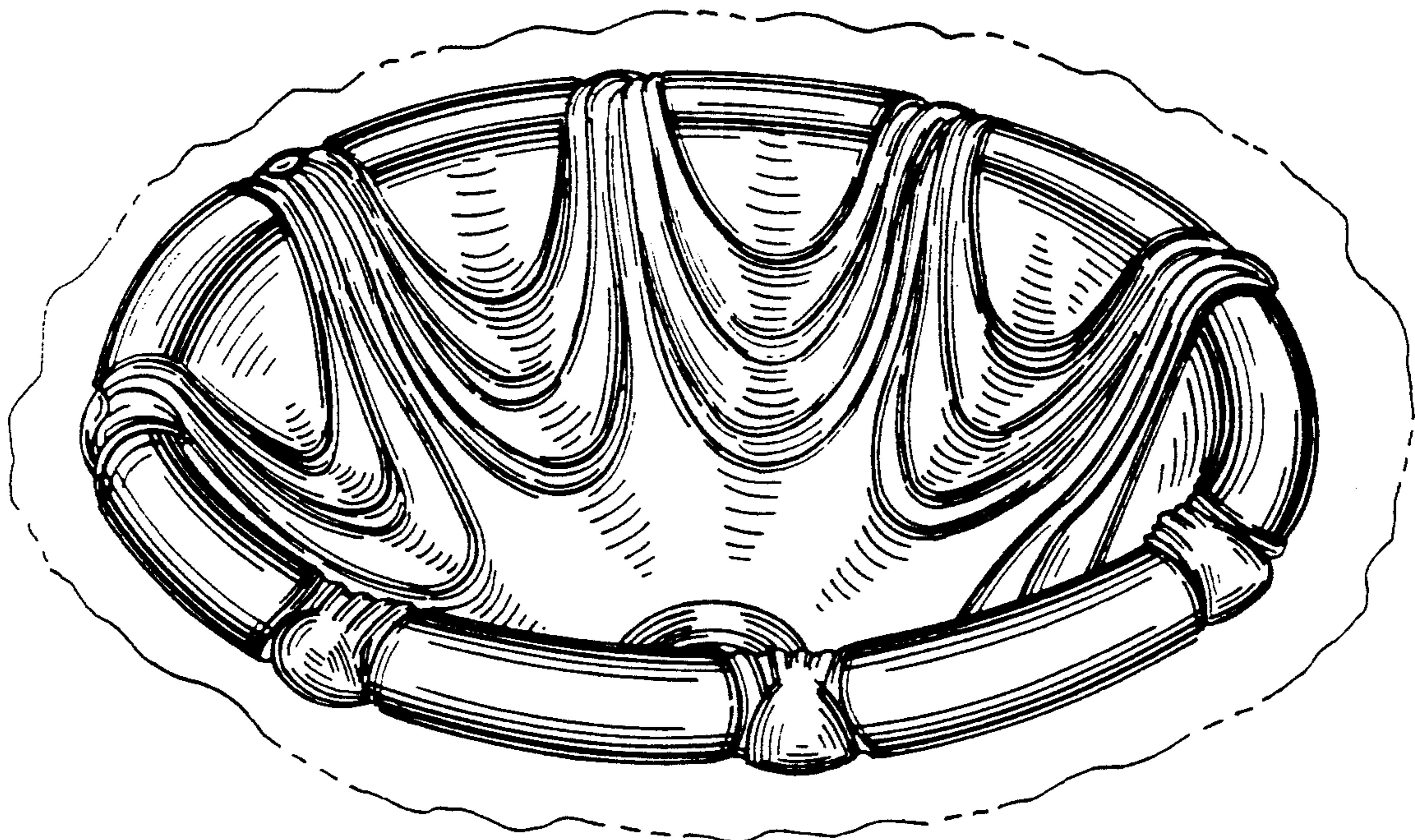




FIG. 1

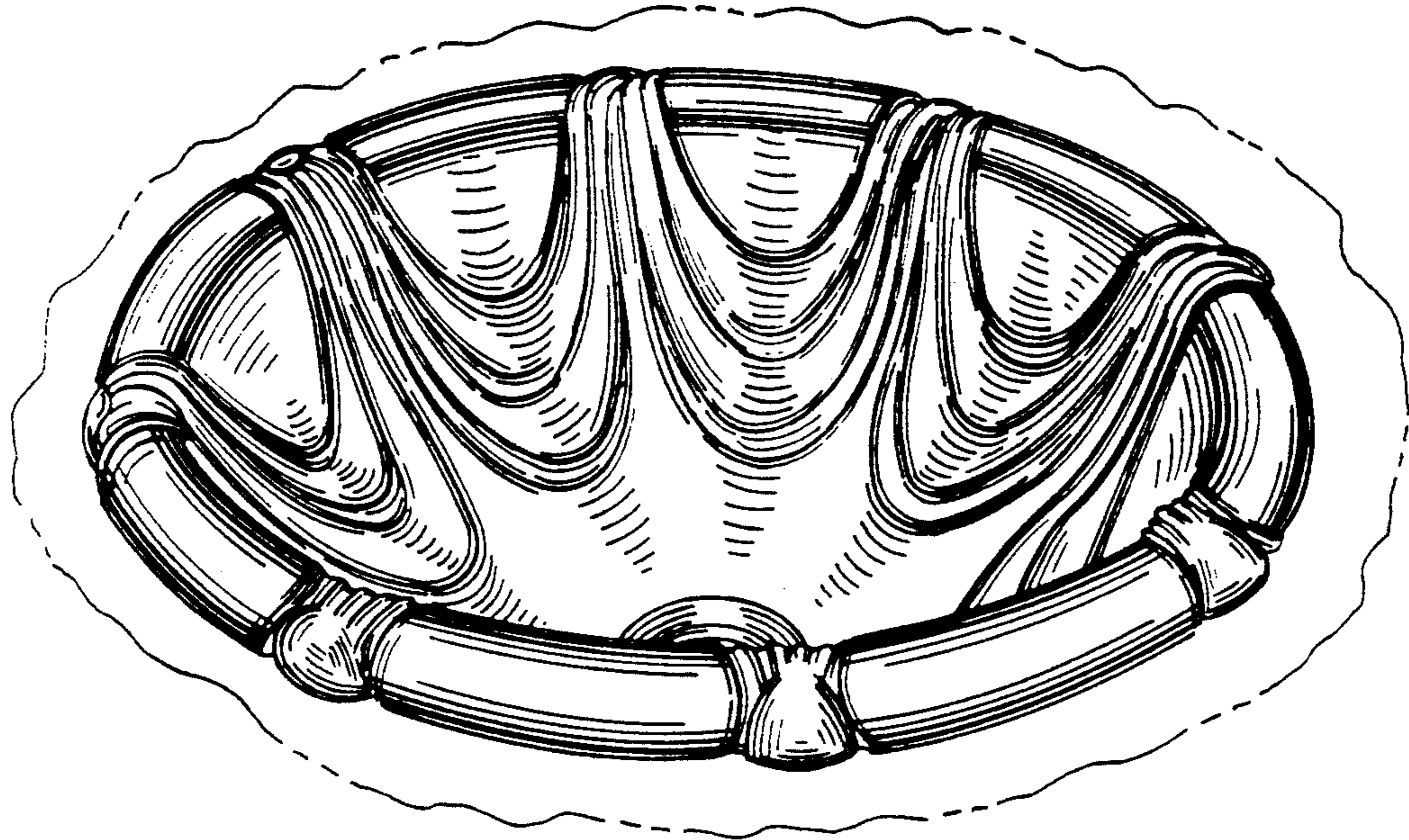
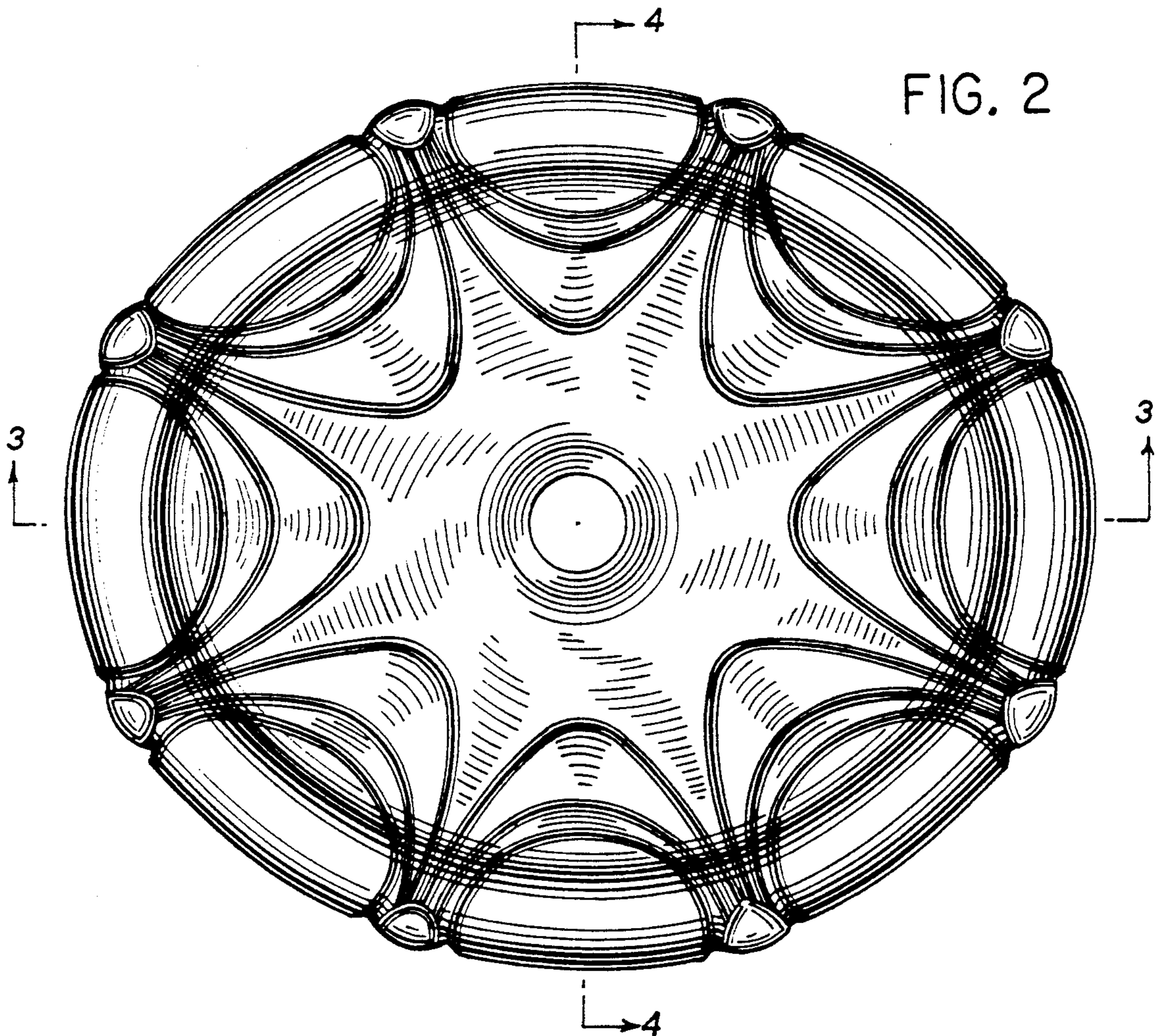


FIG. 2





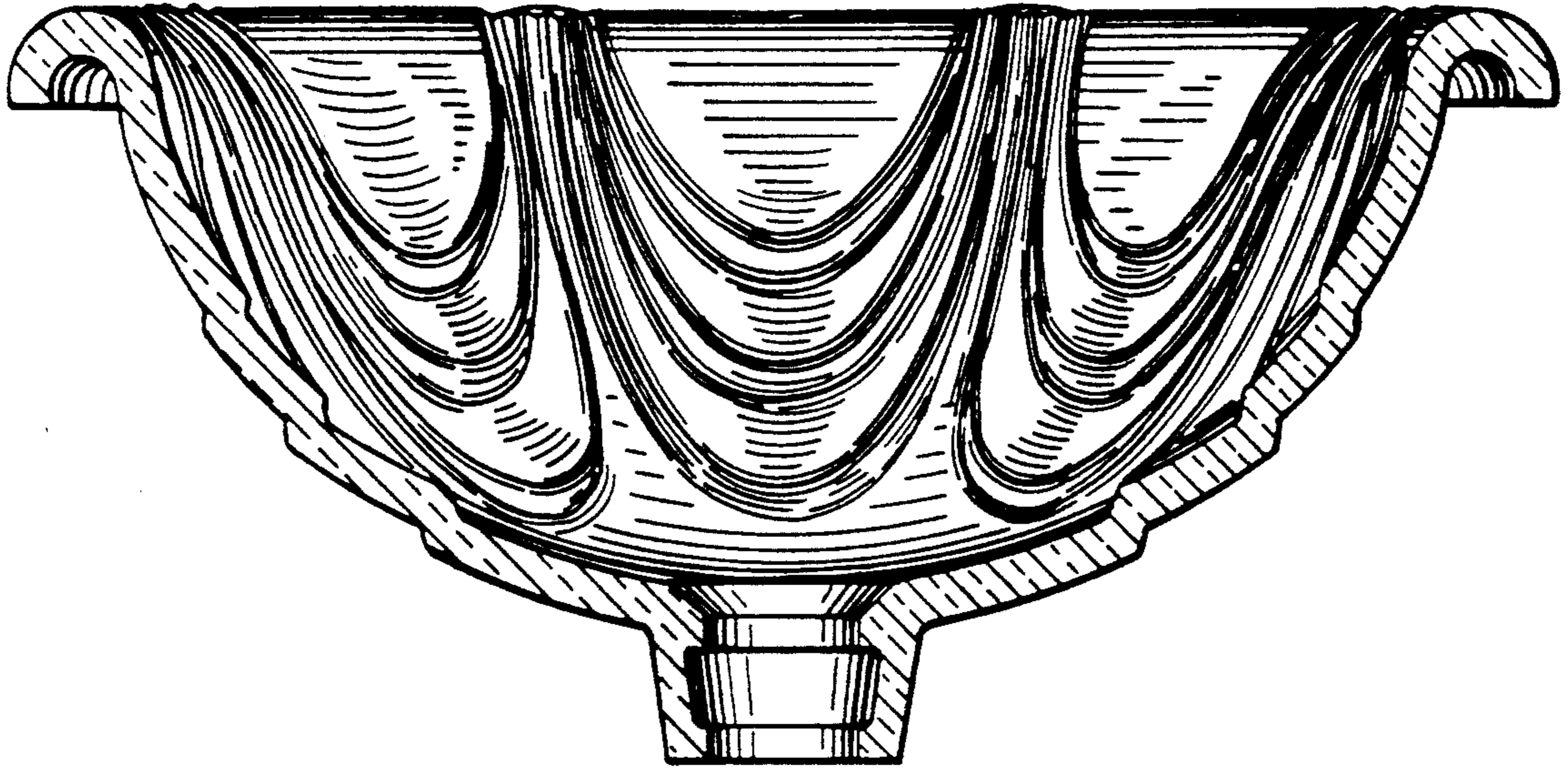


FIG. 3

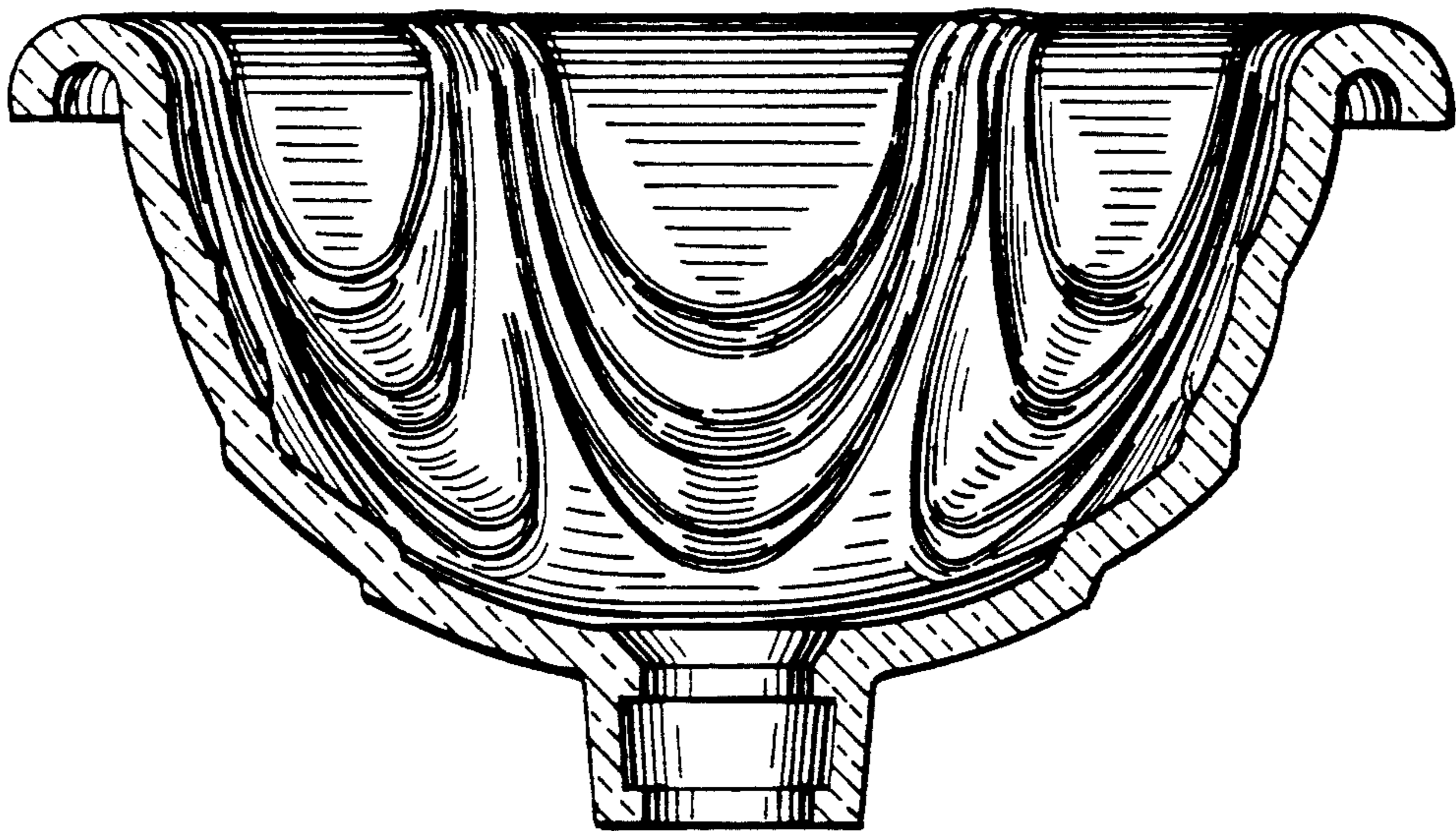


FIG. 4