



US00D347051S

United States Patent [19] Gardiner

[11] Patent Number: **Des. 347,051**
[45] Date of Patent: **** May 17, 1994**

- [54] **BATHTUB**
- [75] Inventor: **Alexander M. Gardiner, Toronto, Canada**
- [73] Assignee: **MRL Inc., Toronto, Canada**
- [**] Term: **14 Years**
- [21] Appl. No.: **897,349**
- [22] Filed: **Jun. 11, 1992**
- [30] **Foreign Application Priority Data**
Apr. 22, 1992 [CA] Canada 22-04-92-1
- [52] U.S. Cl. **D23/277**
- [58] **Field of Search** 4/524, 525, 528, 531, 4/532, 533, 538, 541.1-541.6, 557, 571.1, 576.1, 577.1, 589, 590, 596, 607, 610-614; D23/270, 275, 277-283, 303-307; D24/201-205
- [56] **References Cited**
U.S. PATENT DOCUMENTS
D. 233,756 11/1974 Schrock D23/277
D. 253,547 11/1979 Beddome D23/281

- D. 267,813 2/1983 Lippert, Jr. et al. D23/281
- D. 308,574 6/1990 D'Innocente et al. D24/204
- D. 329,084 9/1992 Dannenberg D23/281
- 2,168,079 8/1939 Zinkil 4/590

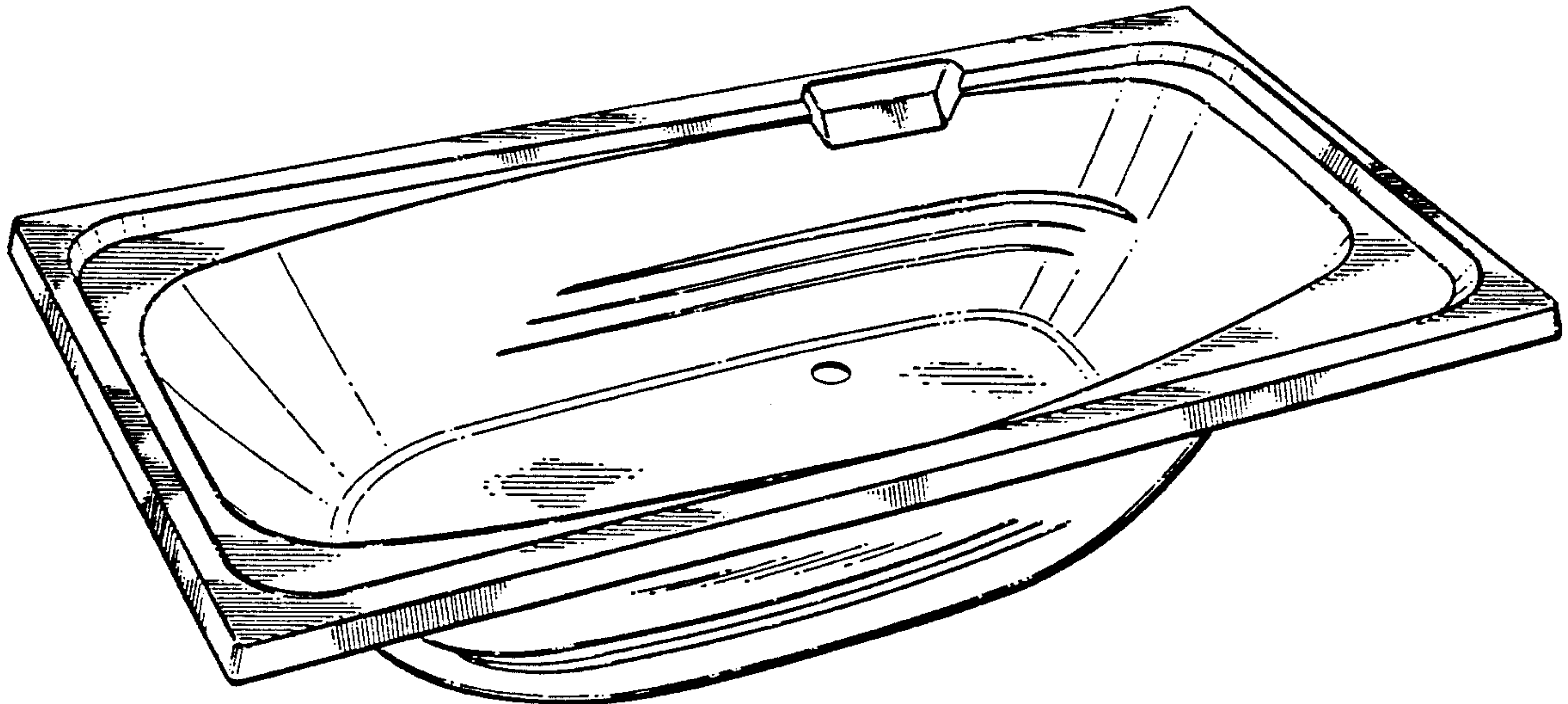
Primary Examiner—James R. Largen

[57] CLAIM

The ornamental design for a bathtub, as shown and described.

DESCRIPTION

FIG. 1 is a top perspective view of a bathtub showing my new design;
 FIG. 2 is a top plan view thereof;
 FIG. 3 is a side elevational view thereof as seen from the right of FIG. 2;
 FIG. 4 is a side elevational view thereof as seen from the left of FIG. 2;
 FIG. 5 is an end elevational view thereof as seen from the bottom of FIG. 2;
 FIG. 6 is an end elevational view thereof as seen from the top of FIG. 2; and,
 FIG. 7 is a bottom plan view thereof.



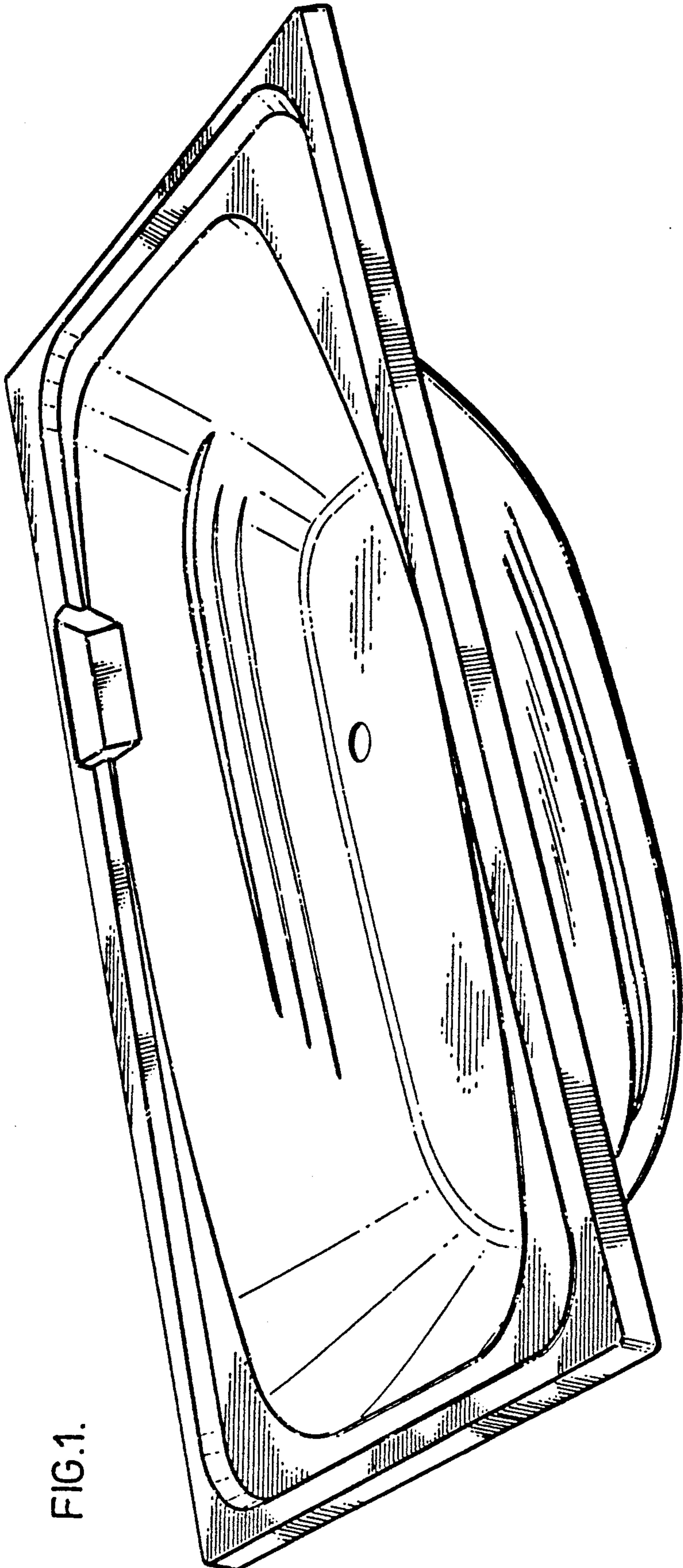
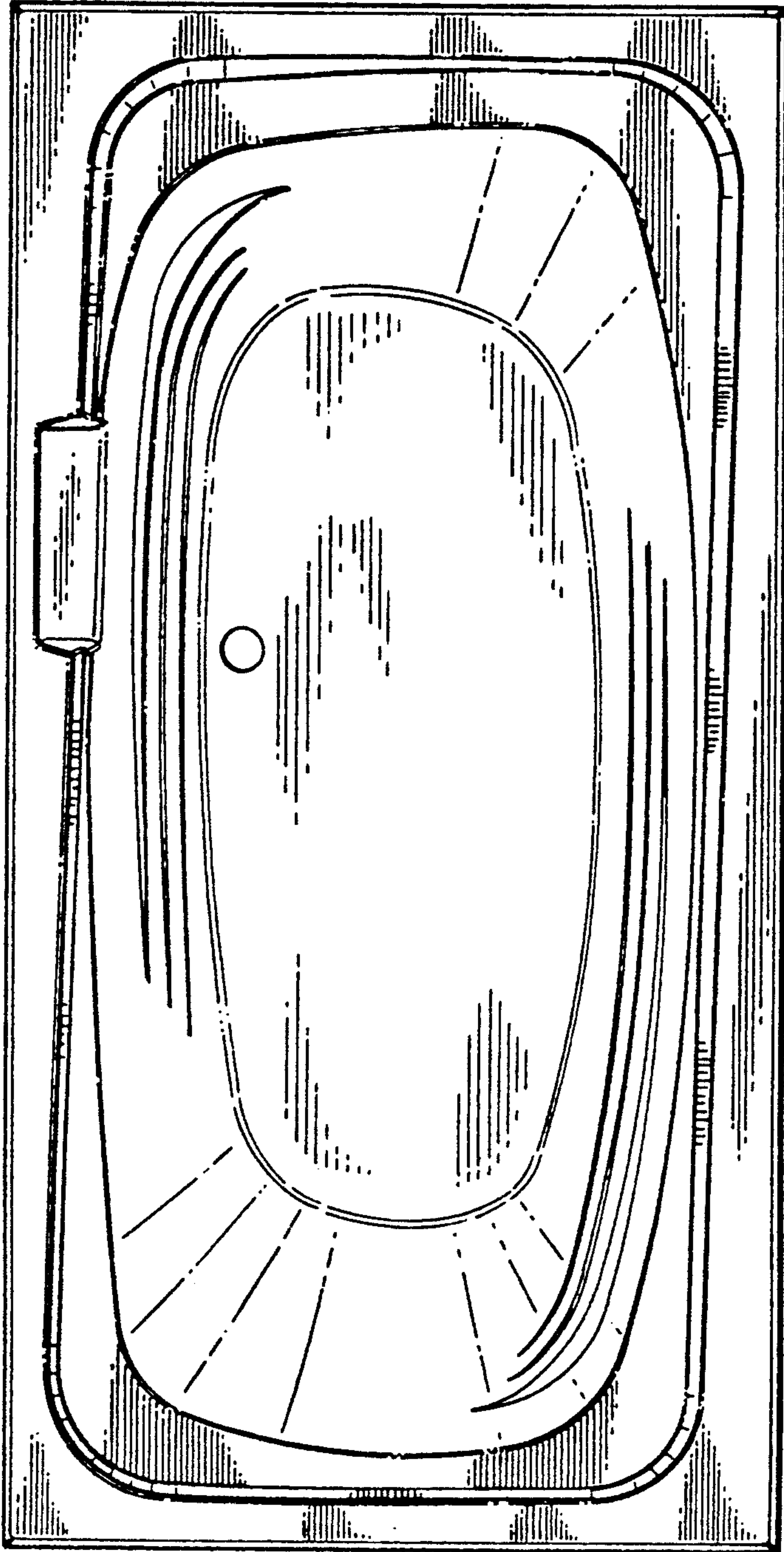


FIG.1.

FIG. 2.



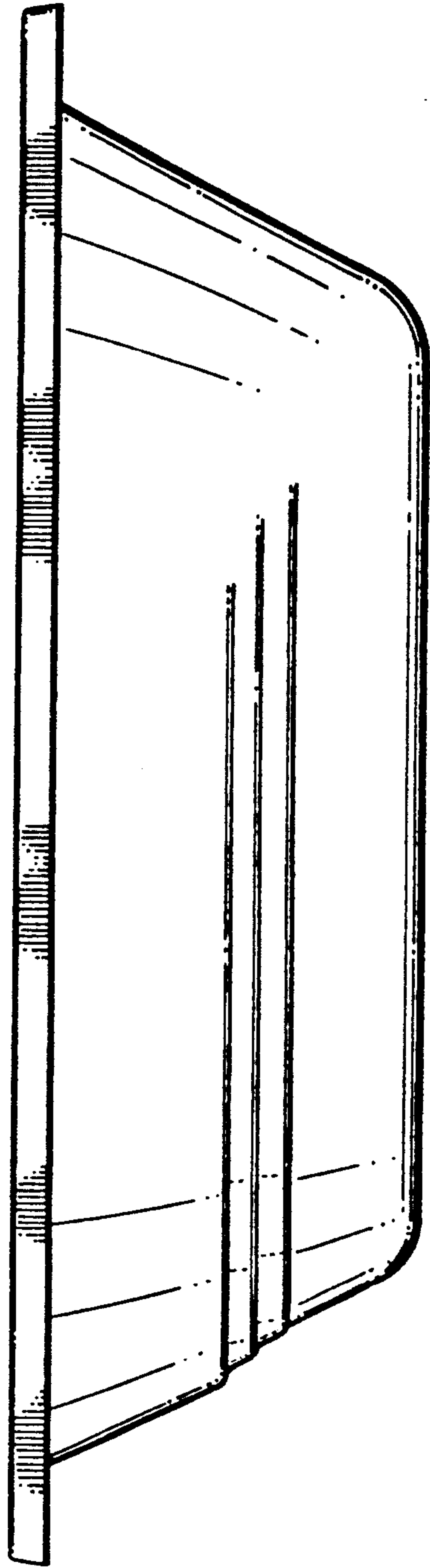


FIG. 3.

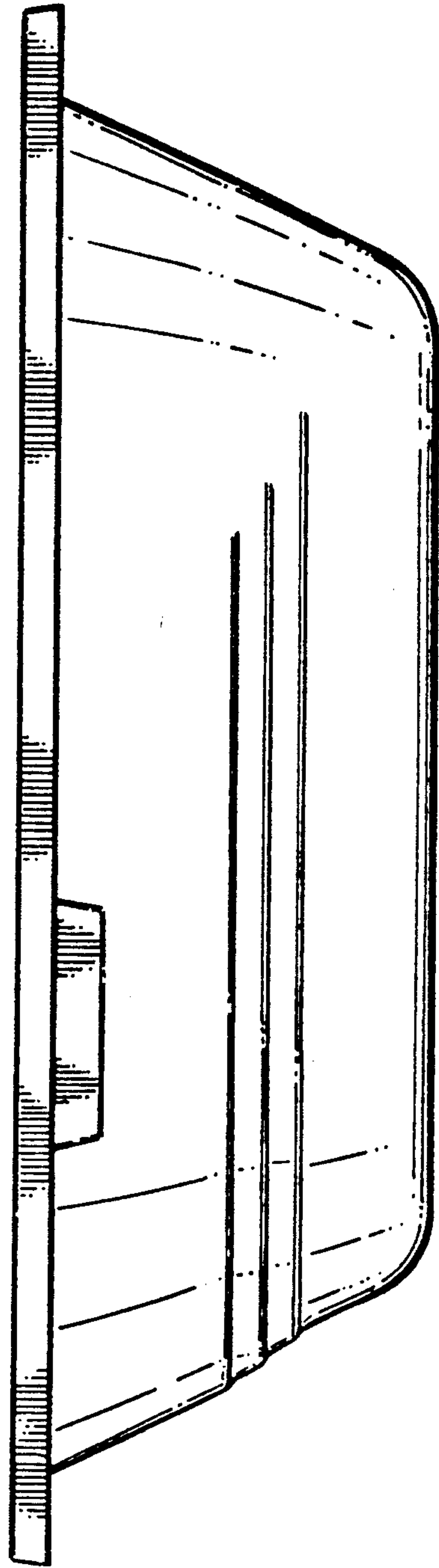


FIG. 4.

FIG. 5.

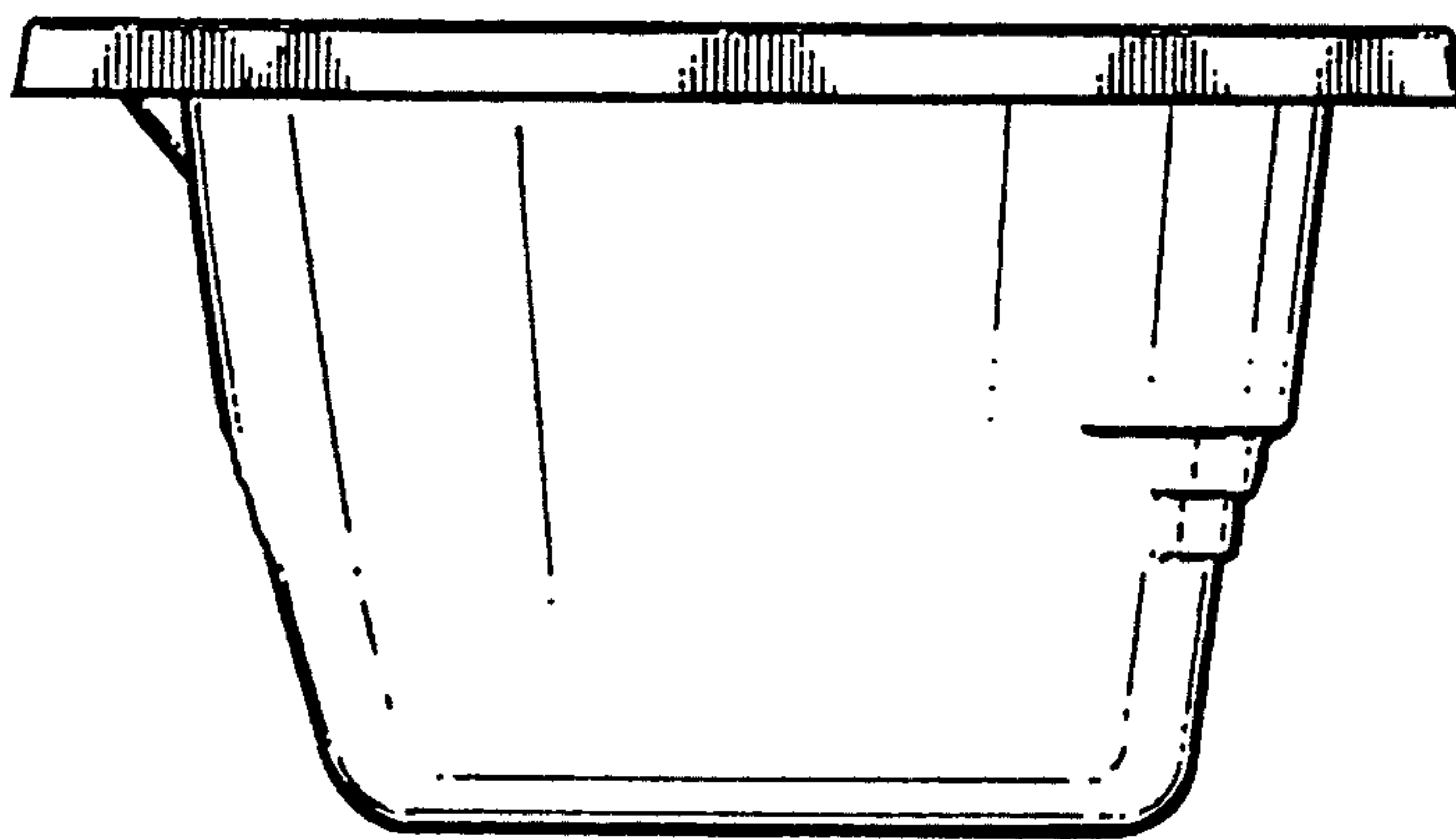
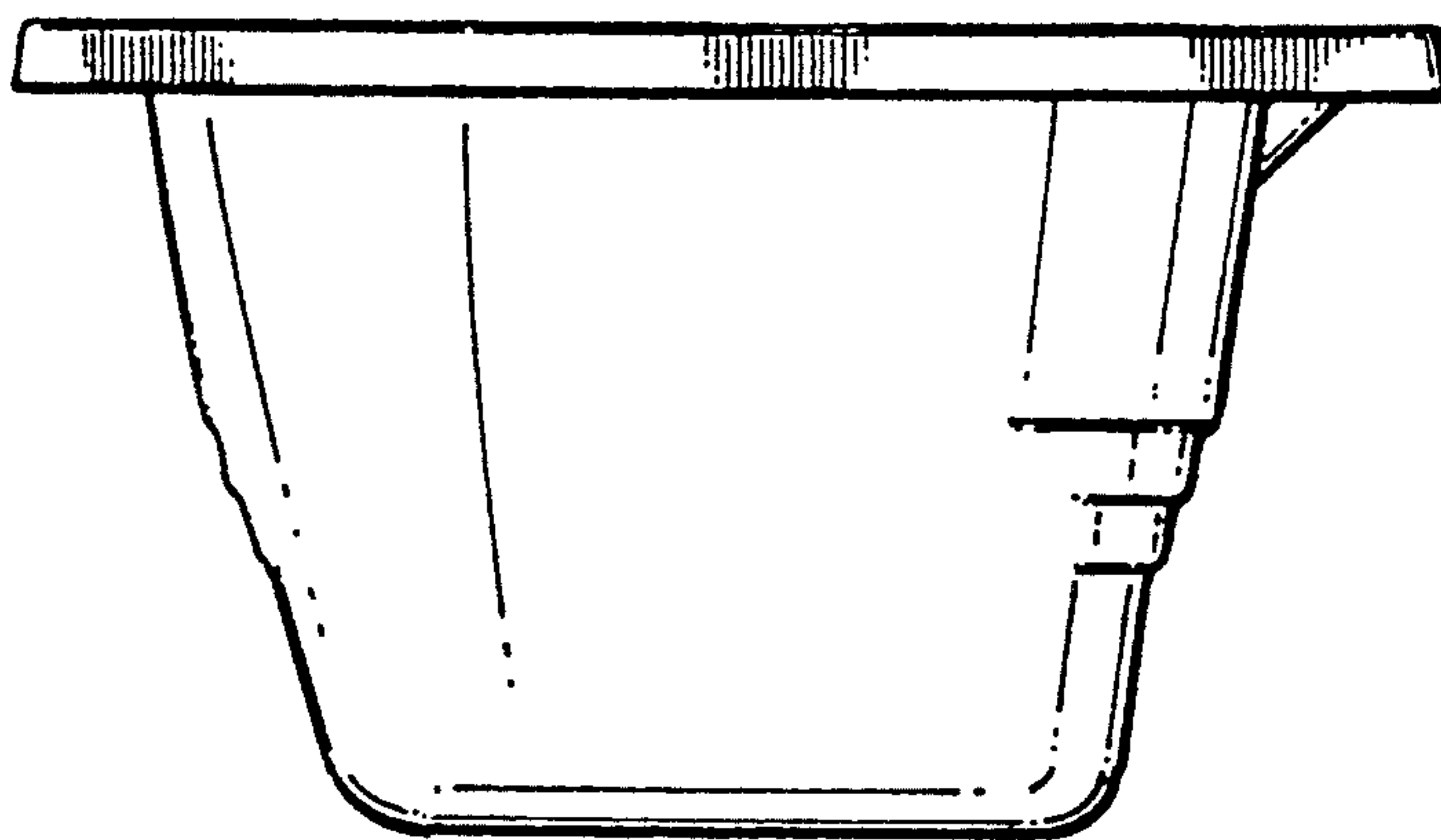


FIG. 6.



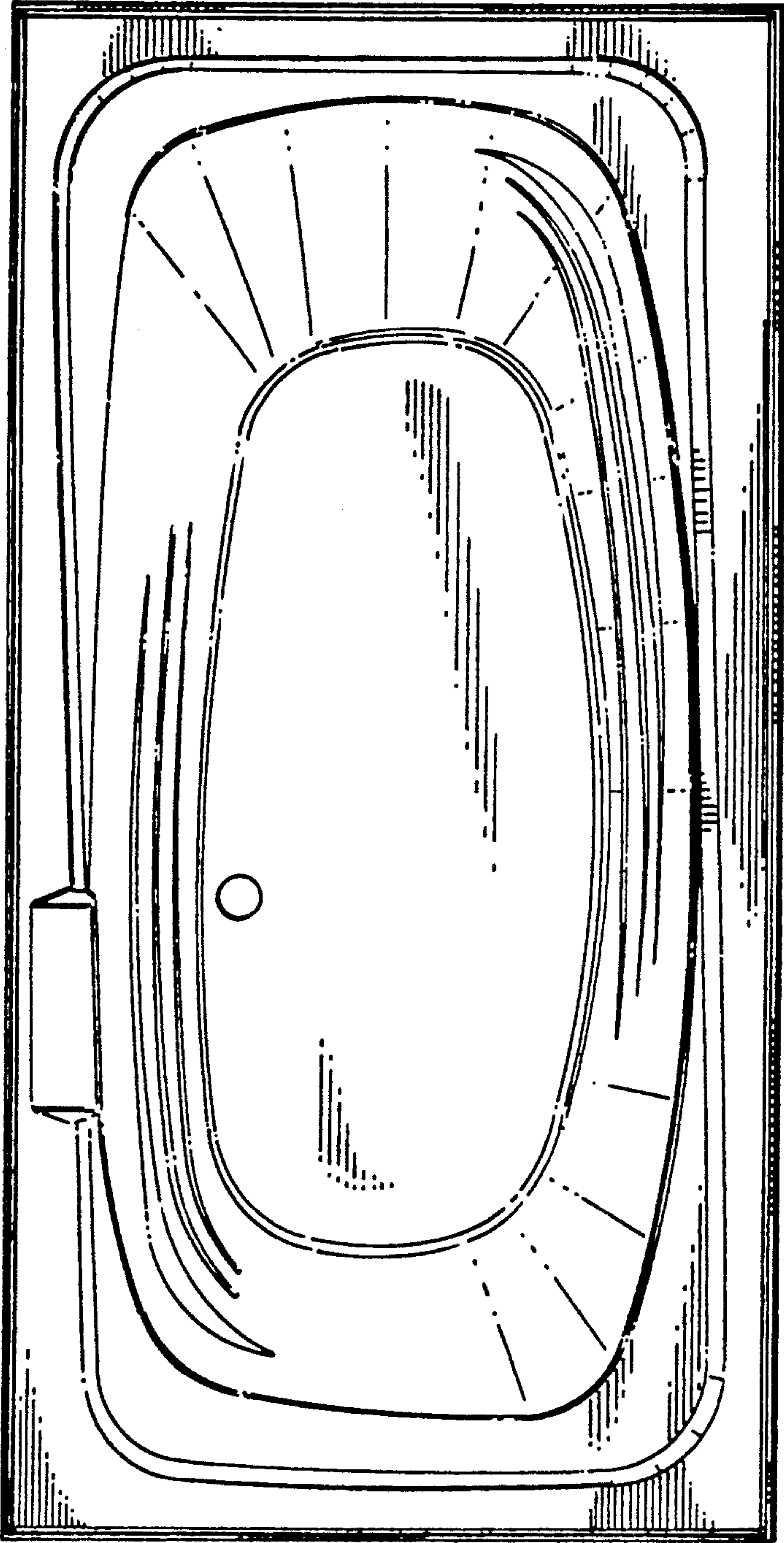


FIG. 7.