



US00D347049S

United States Patent [19]

[11] Patent Number: **Des. 347,049**

Clark et al.

[45] Date of Patent: **** May 17, 1994**

[54] **COMBINED BATHTUB AND SHOWER ENCLOSURE**

[75] Inventors: **Carolynn L. Clark, Memphis; Fred W. Dierks, Adamsville, both of Tenn.**

[73] Assignee: **Aqua Glass Corporation, Adamsville, Tenn.**

[**] Term: **14 Years**

[21] Appl. No.: **866,938**

[22] Filed: **Apr. 10, 1992**

[52] U.S. Cl. **D23/275**

[58] Field of Search 4/524, 525, 528, 531, 4/532, 538, 541.1-541.6, 557, 571.1, 576.1, 577.1, 589, 590, 596, 607, 610-614; D23/270, 275, 277-283, 303-307

[56] **References Cited**

U.S. PATENT DOCUMENTS

- D. 223,607 5/1972 Lax D23/275
- D. 238,275 12/1975 Folden D23/275

- D. 238,276 12/1975 Alexander D23/275
- D. 243,849 3/1977 Seymour et al. D23/275
- D. 277,695 2/1985 Blodee D23/275
- D. 281,448 11/1985 Primucci D23/275
- D. 310,557 9/1990 Smith D23/275
- D. 313,647 1/1991 Reid D23/275
- D. 315,195 3/1991 Smith D23/275
- 3,845,600 11/1977 Moore 4/538
- 4,424,598 1/1984 Cima 4/524

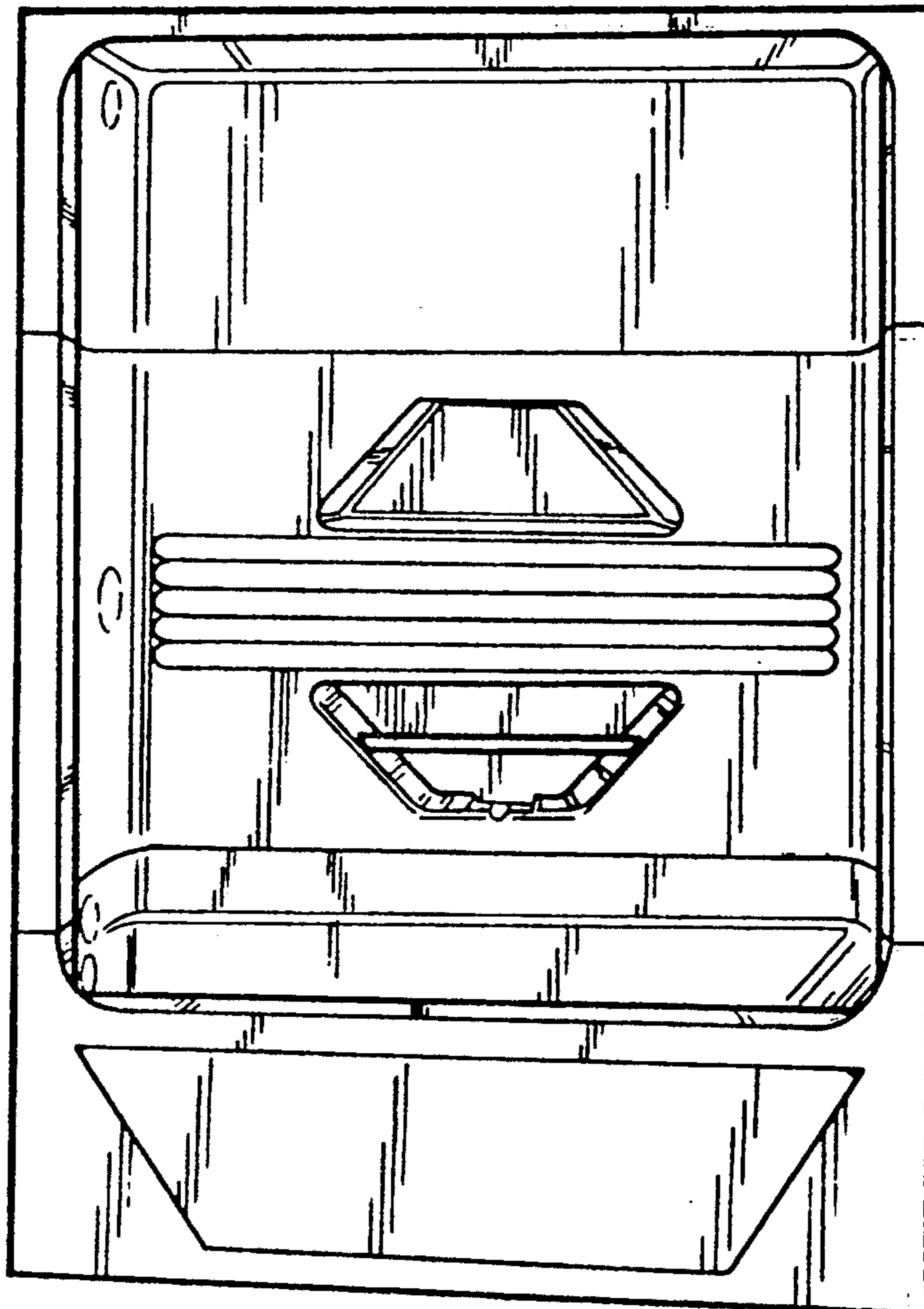
Primary Examiner—James R. Largen
Attorney, Agent, or Firm—Edgar A. Zarins; Malcolm L. Sutherland

[57] **CLAIM**

The ornamental design for a combined bathtub and shower enclosure, as shown and described.

DESCRIPTION

FIG. 1 is a front perspective view of a combined bathtub and shower enclosure showing our new design; FIG. 2 is a front elevational view thereof; FIG. 3 is a cross sectional view taken on line 3—3 of FIG. 2; and, FIG. 4 is a cross sectional view taken on line 4—4 of FIG. 2.



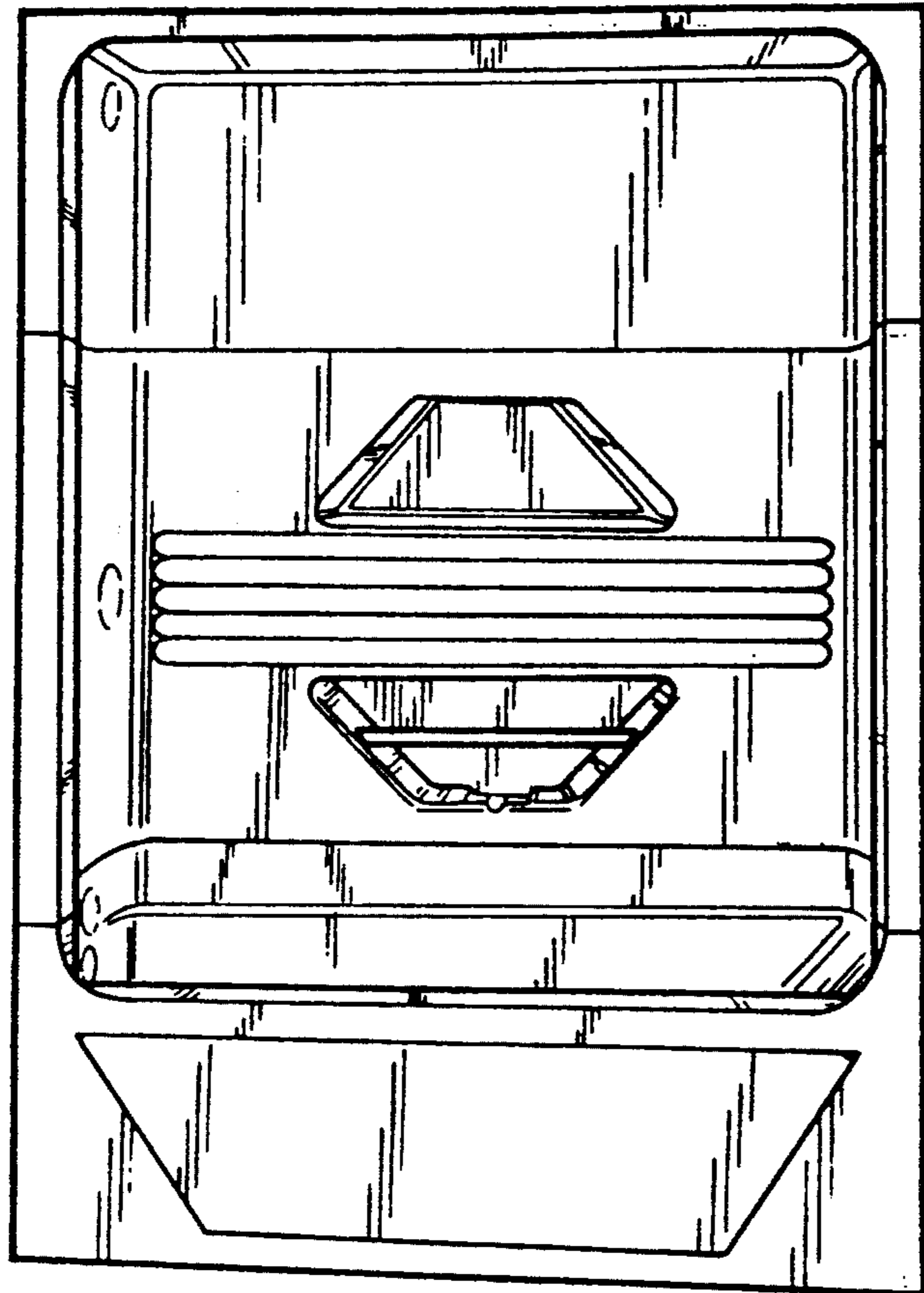


Fig-1

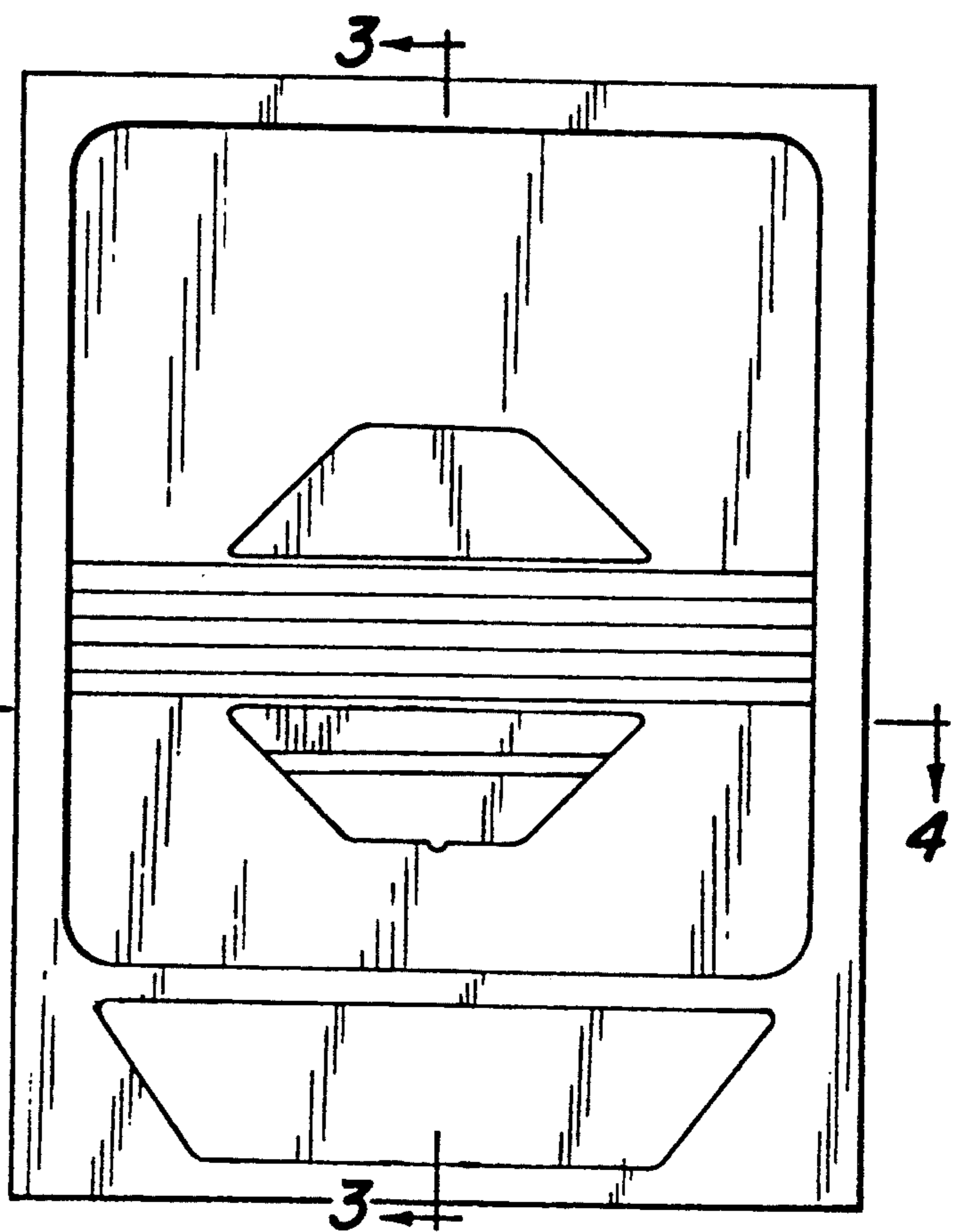


Fig-2

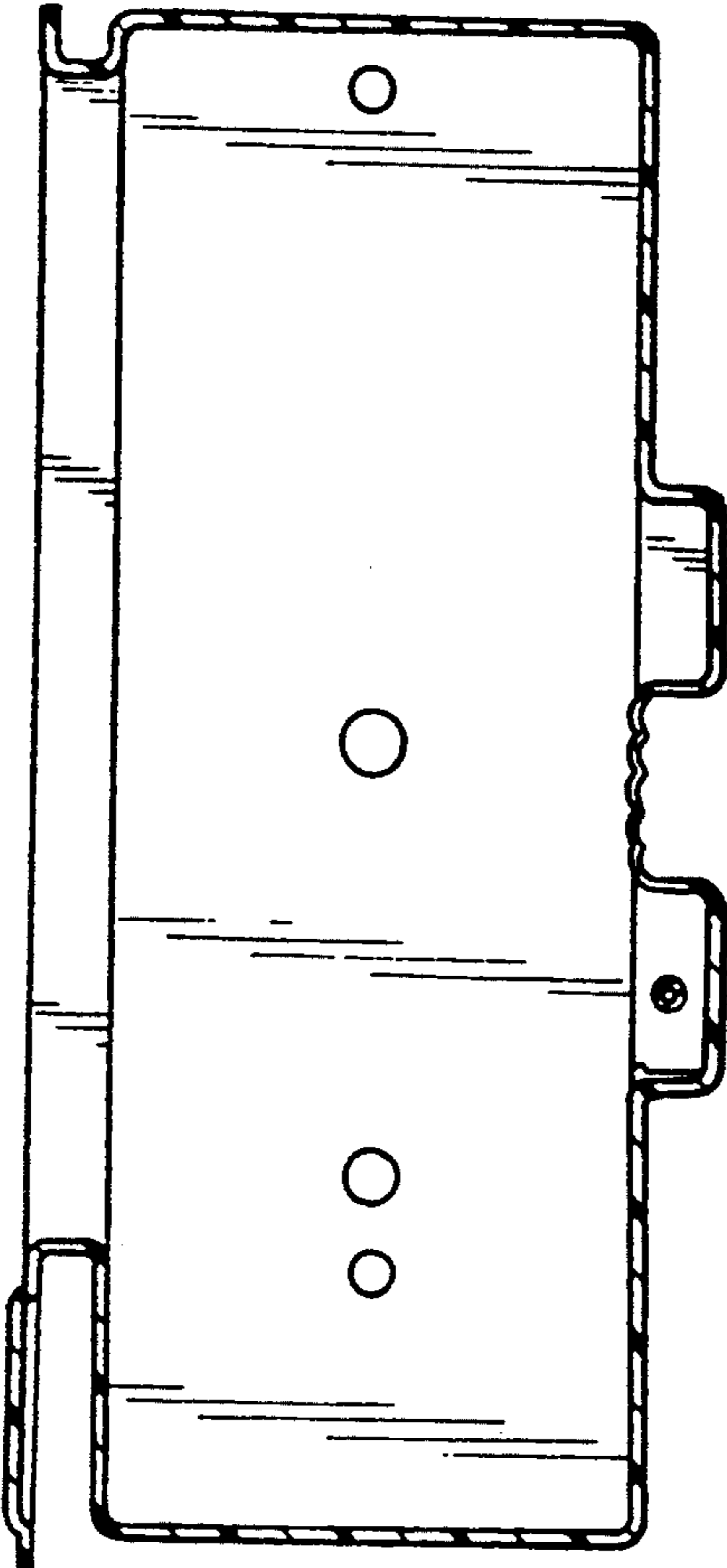


Fig-3

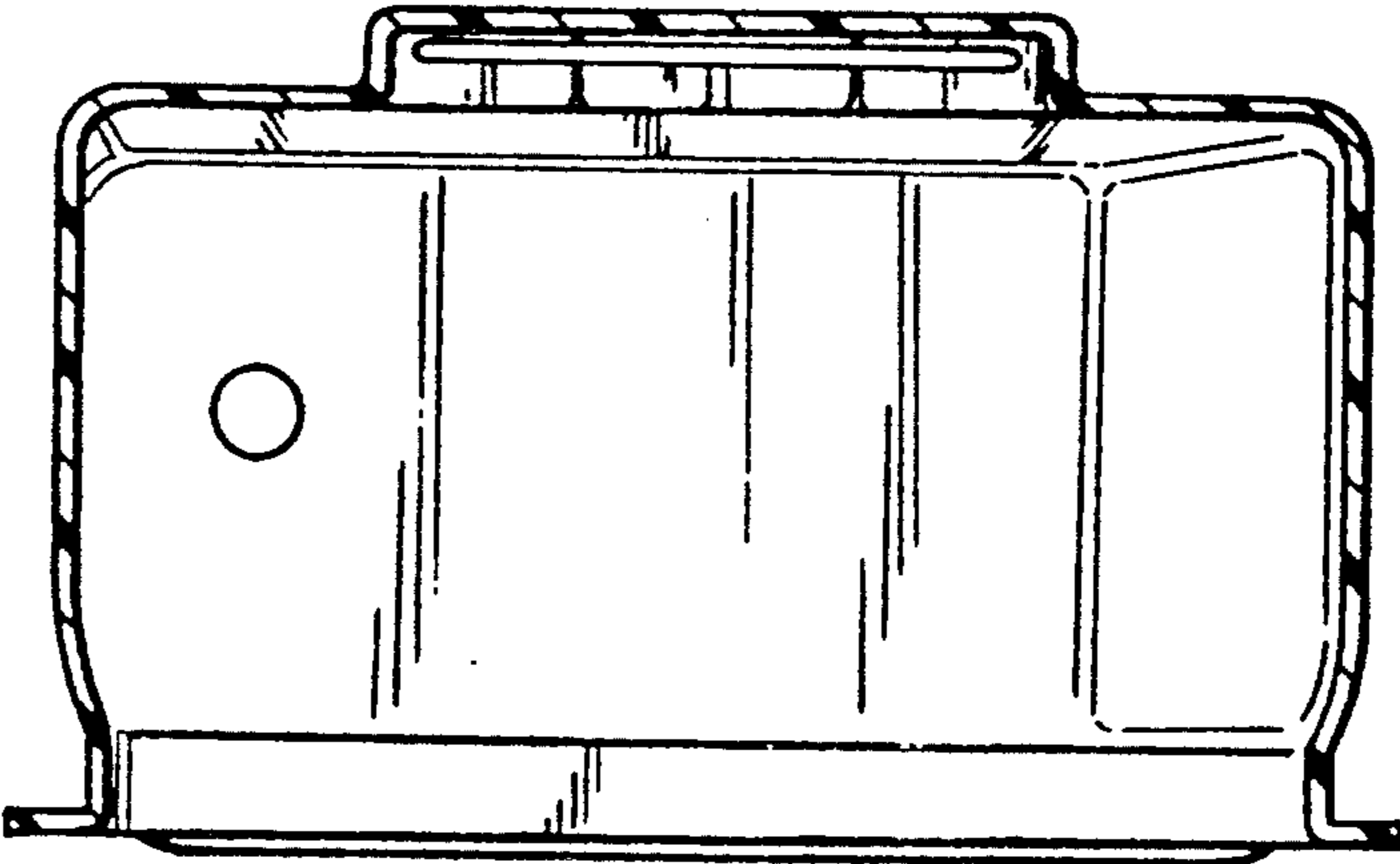


Fig-4