



US00D347048S

United States Patent [19]

[11] Patent Number: **Des. 347,048**

Davis

[45] Date of Patent: **** May 17, 1994**

[54] **OIL GAUGE FITTING**

4,772,051 9/1988 Mann 285/39

[75] Inventor: **Donald Davis, Canoga Park, Calif.**

Primary Examiner—Stella Reid

[73] Assignee: **Ronald A. Bender, Chardon, Ohio**

Assistant Examiner—Eric Watterson

[**] Term: **14 Years**

Attorney, Agent, or Firm—Watts, Hoffmann, Fisher & Heinke

[21] Appl. No.: **840,950**

[57] **CLAIM**

The ornamental design for an oil gauge fitting, as shown.

[22] Filed: **Feb. 25, 1992**

DESCRIPTION

[52] U.S. Cl. **D23/259**

[58] Field of Search 285/39, 150, 175;
D23/259, 260, 262, 263, 265; D12/114; D15/5

FIG. 1 is a perspective view of an oil gauge fitting showing my new design;

FIG. 2 is a front elevational view of the oil gauge fitting of FIG. 1;

FIG. 3 is a side view taken from the right of FIG. 2;

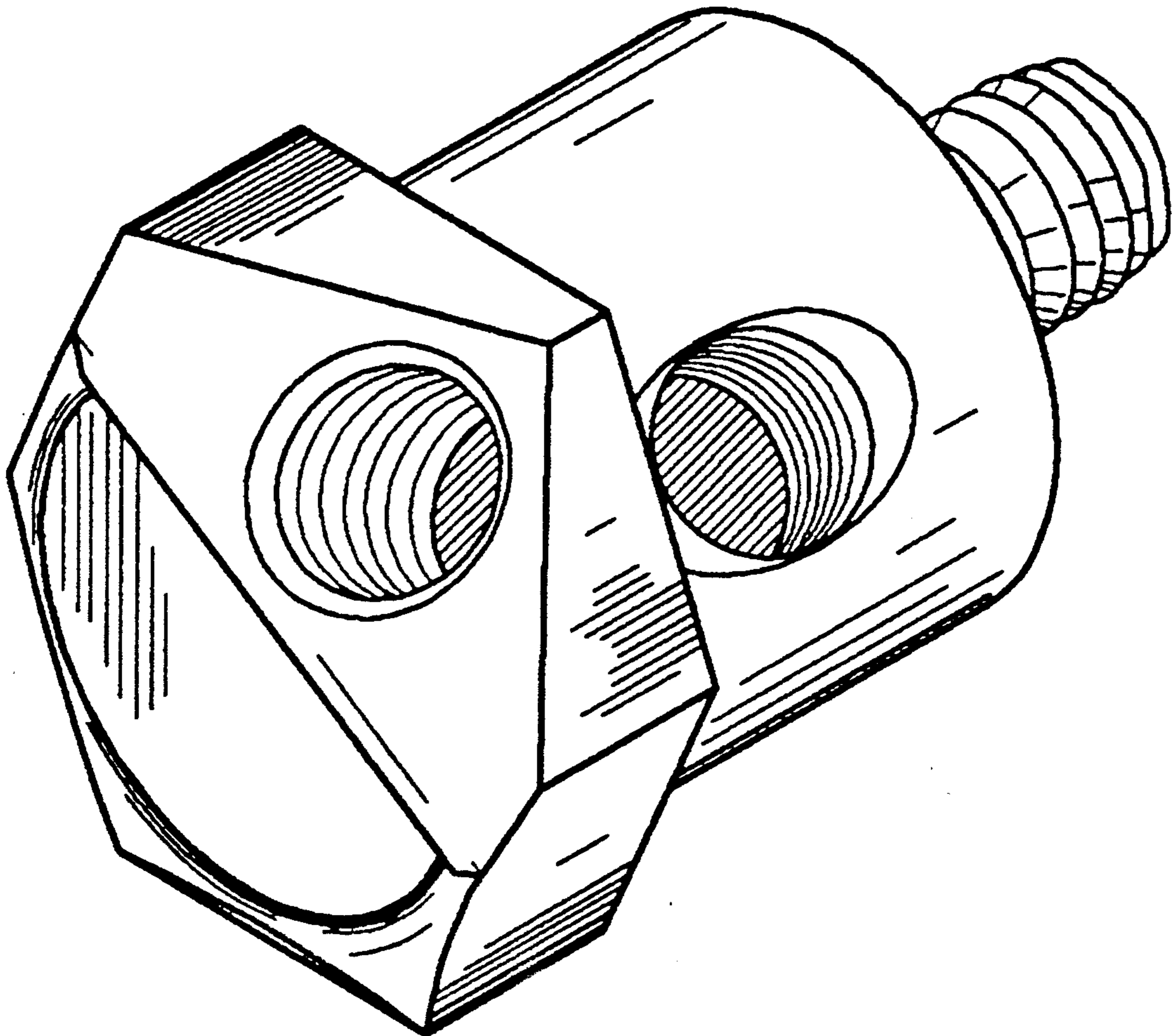
FIG. 4 is a rear elevation view; and,

FIG. 5 is a side view taken from the left of FIG. 4.

[56] **References Cited**

U.S. PATENT DOCUMENTS

D. 301,703 6/1989 Bernstein D12/114
1,326,626 11/1918 Wolfe 285/39



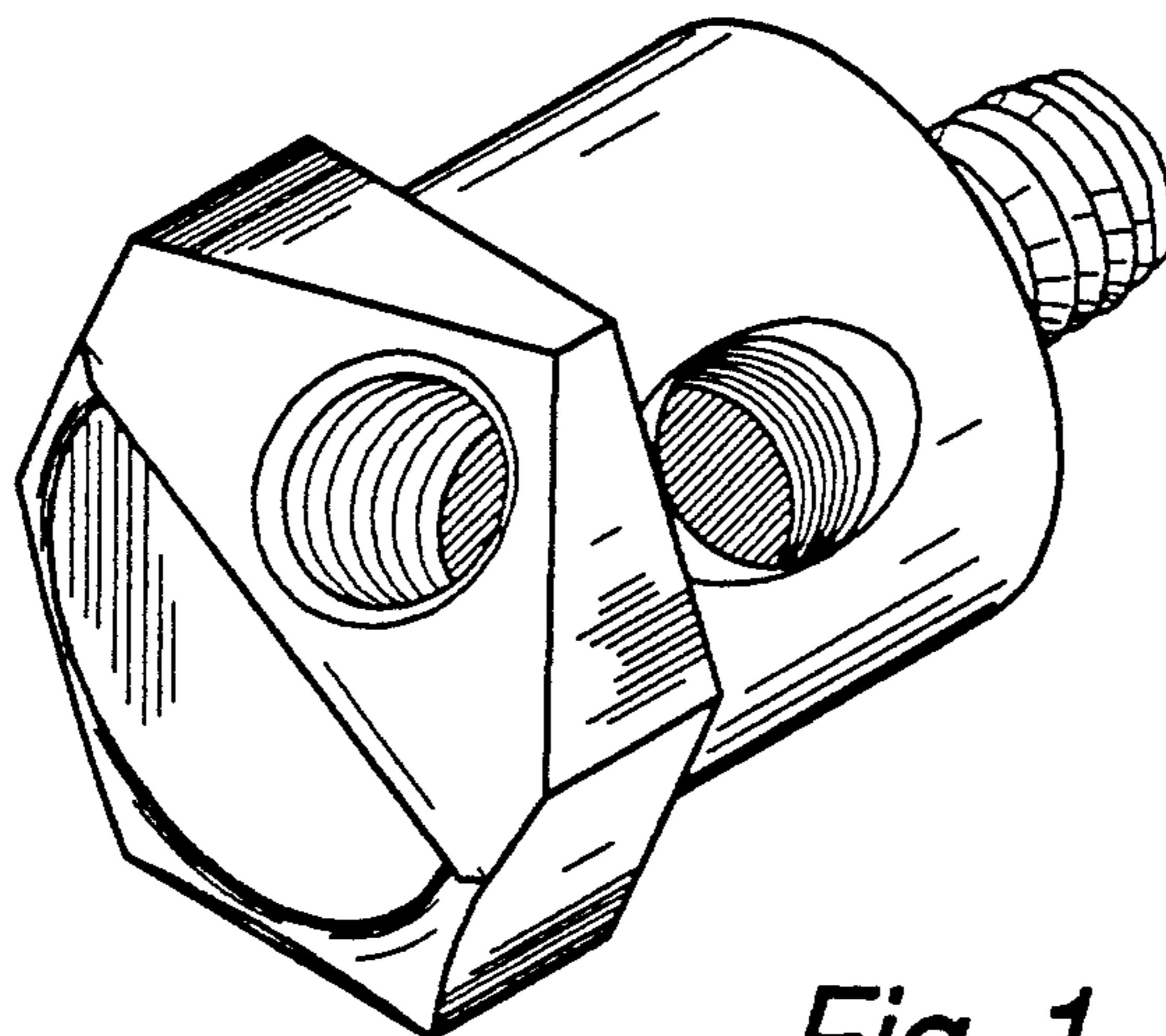


Fig. 1

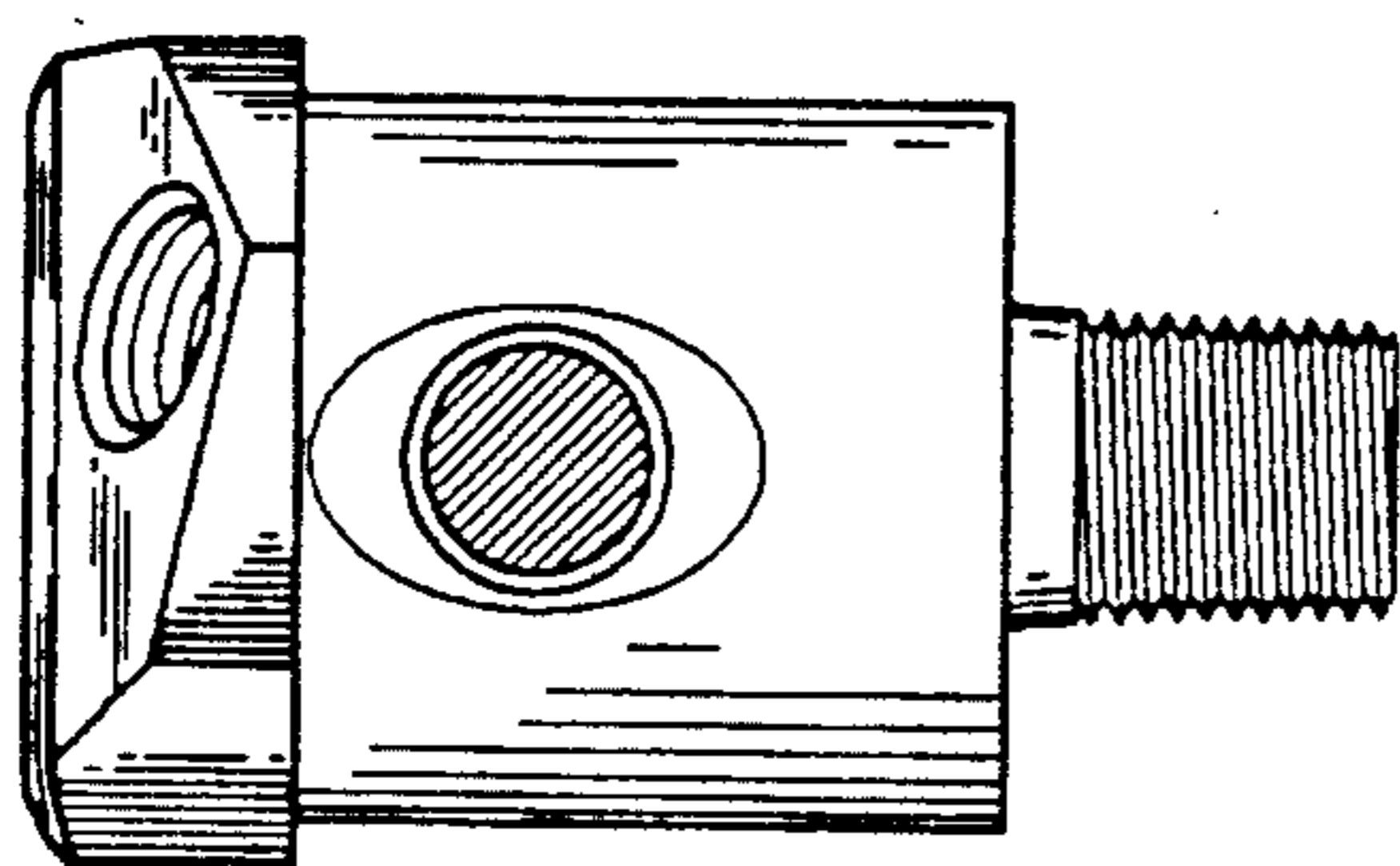


Fig. 2

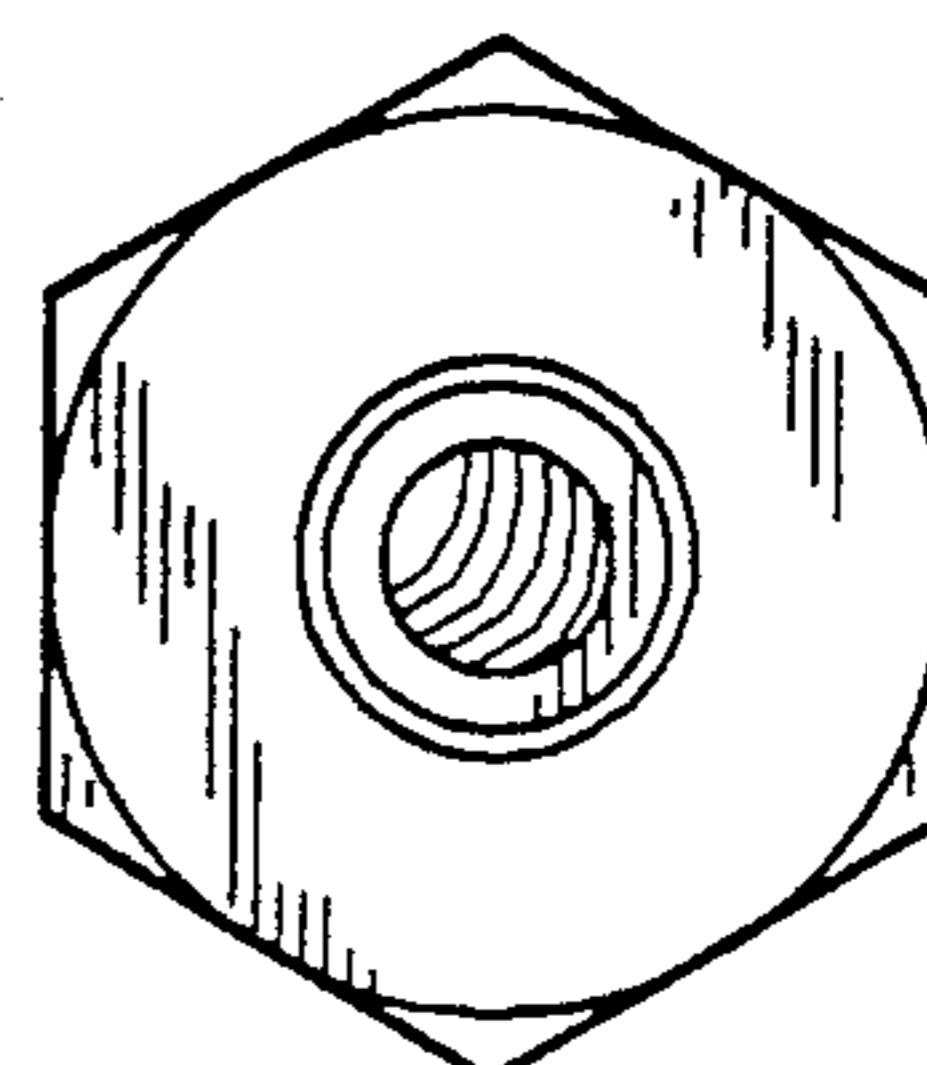


Fig. 3

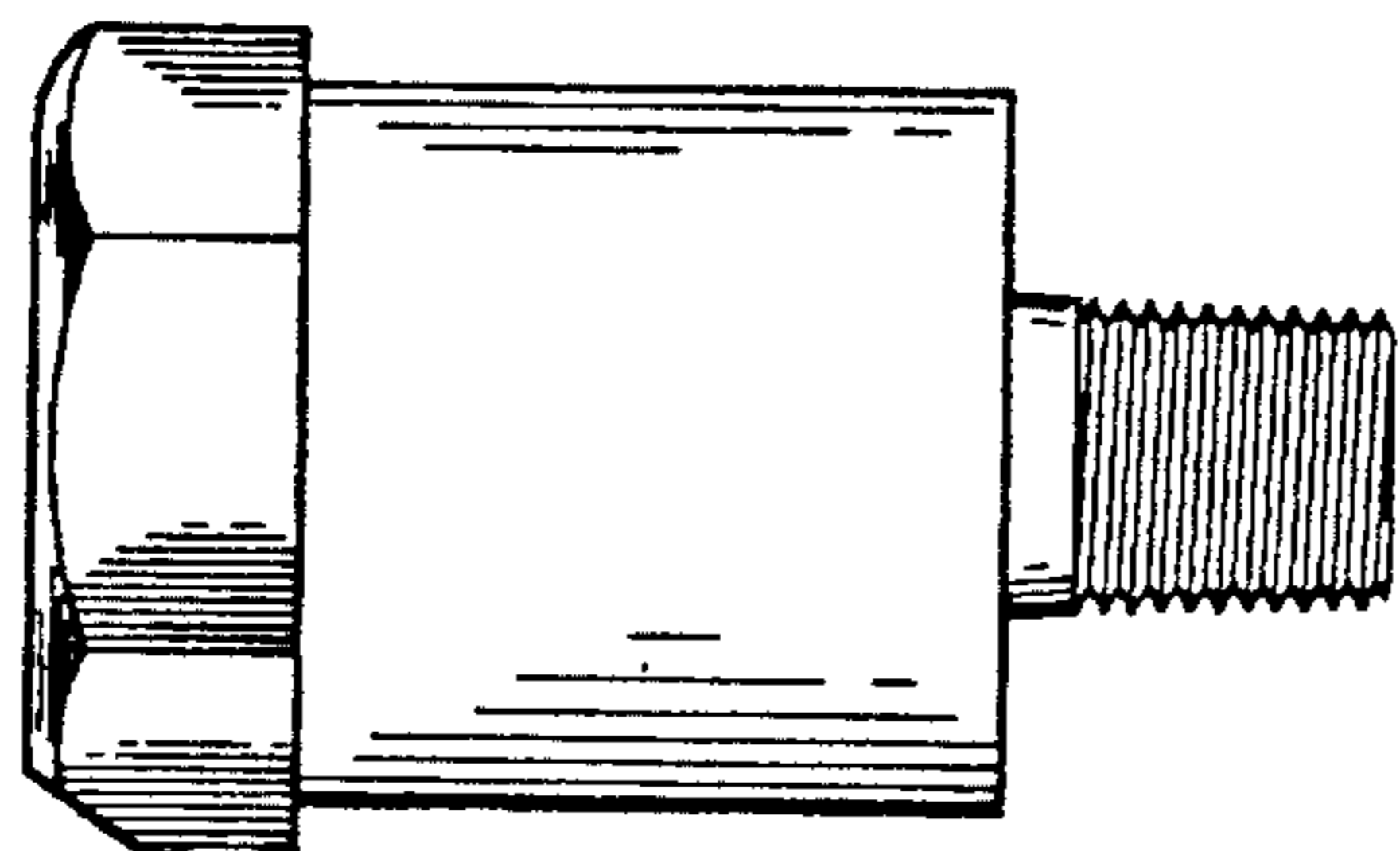


Fig. 4

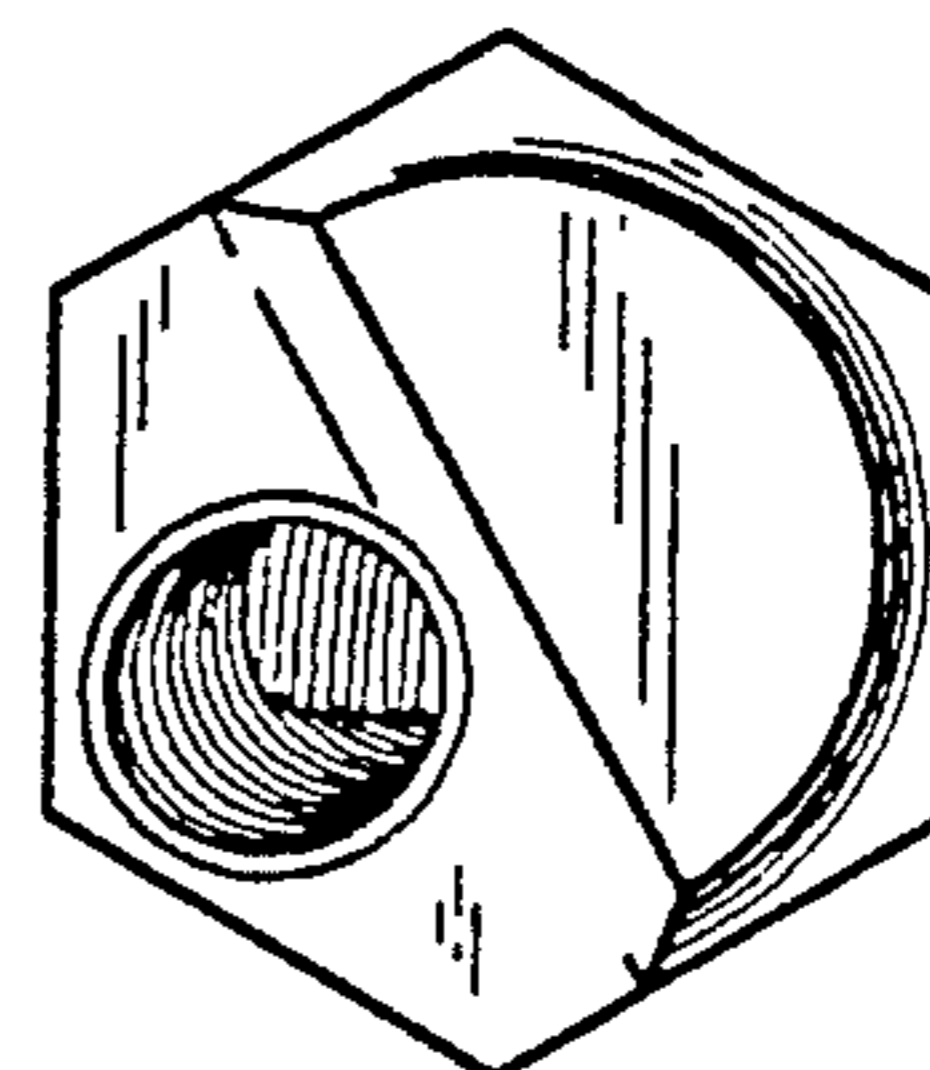


Fig. 5