



US00D347047S

United States Patent [19]
Wood

[11] **Patent Number: Des. 347,047**
[45] **Date of Patent: ** May 17, 1994**

[54] **HORTICULTURAL SPRAYER**

[56] **References Cited**

[75] **Inventor: Noel S. D. Wood, Hunters Hill, Australia**
[73] **Assignee: Exell Trading Pty Limited, Glenorie, Australia**

U.S. PATENT DOCUMENTS

D. 307,628	5/1990	Ballu	D23/225
D. 312,297	11/1990	Ballu	D23/225
D. 327,528	6/1992	Sears et al.	D23/225
4,192,464	3/1980	Chow	D23/225 X
5,186,391	2/1993	Rouche et al.	239/373

[**] **Term: 14 Years**

Primary Examiner—Wallace R. Burke
Assistant Examiner—M. H. Tung
Attorney, Agent, or Firm—Eliot S. Gerber

[21] **Appl. No.: 874,564**

[57] **CLAIM**

The ornamental design for a horticultural sprayer, as shown.

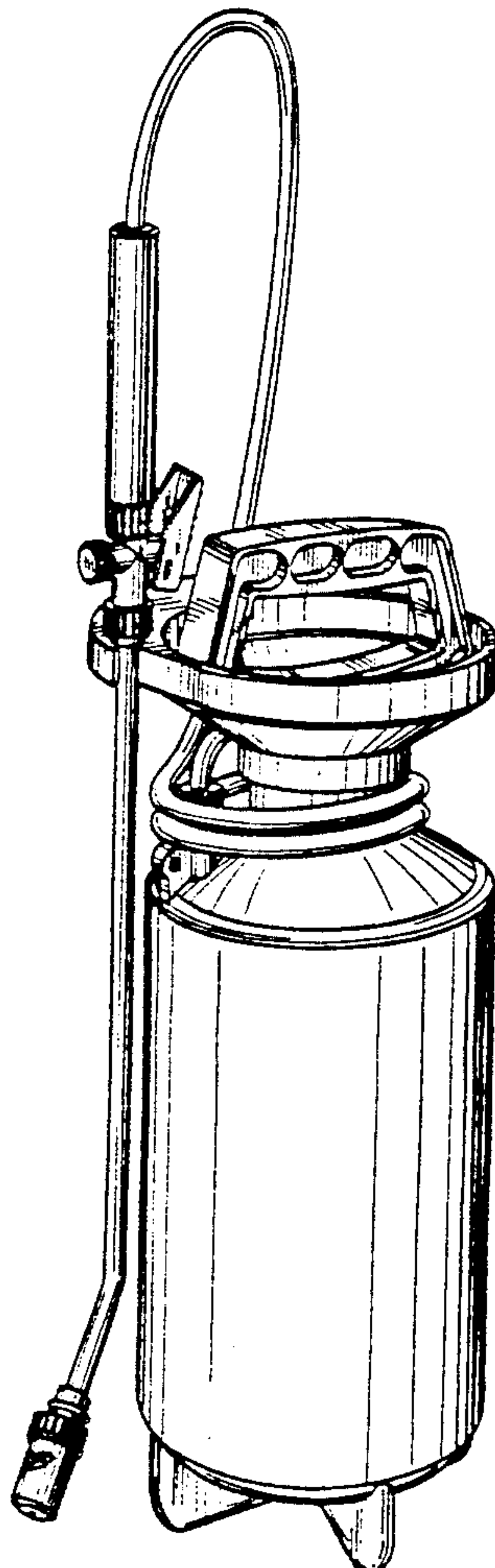
[22] **Filed: Apr. 24, 1992**

DESCRIPTION

[30] **Foreign Application Priority Data**

Oct. 25, 1991 [AU] Australia 3240/91
[52] **U.S. Cl.** **D23/225**
[58] **Field of Search** 239/301, 332, 373, 394,
239/414-415, 525-528, 532, 554, 556;
D23/213, 223-227

FIG. 1 is a perspective view of a horticultural sprayer showing my new design;
FIG. 2 is a front elevational plan view thereof;
FIG. 3 is a top view thereof;
FIG. 4 is a bottom plan view thereof;
FIG. 5 is a rear elevational view thereof;
FIG. 6 is a left side elevational view thereof; and,
FIG. 7 is a right side elevational view thereof.



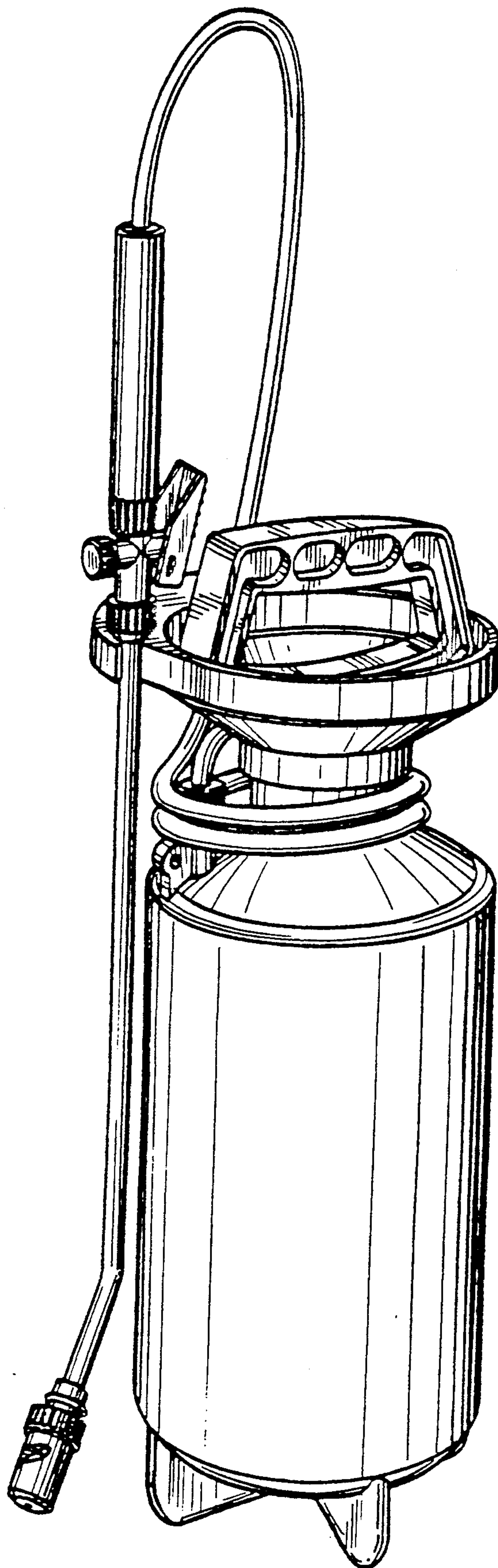


FIG. 1

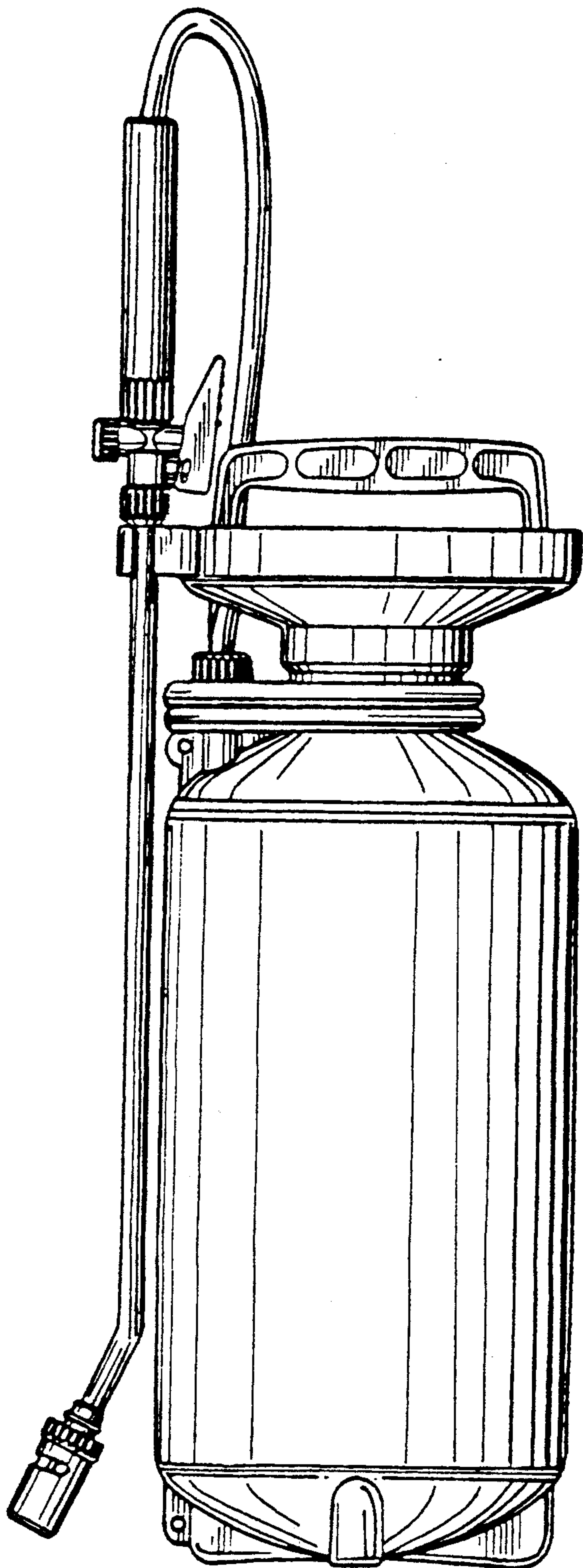


FIG. 2

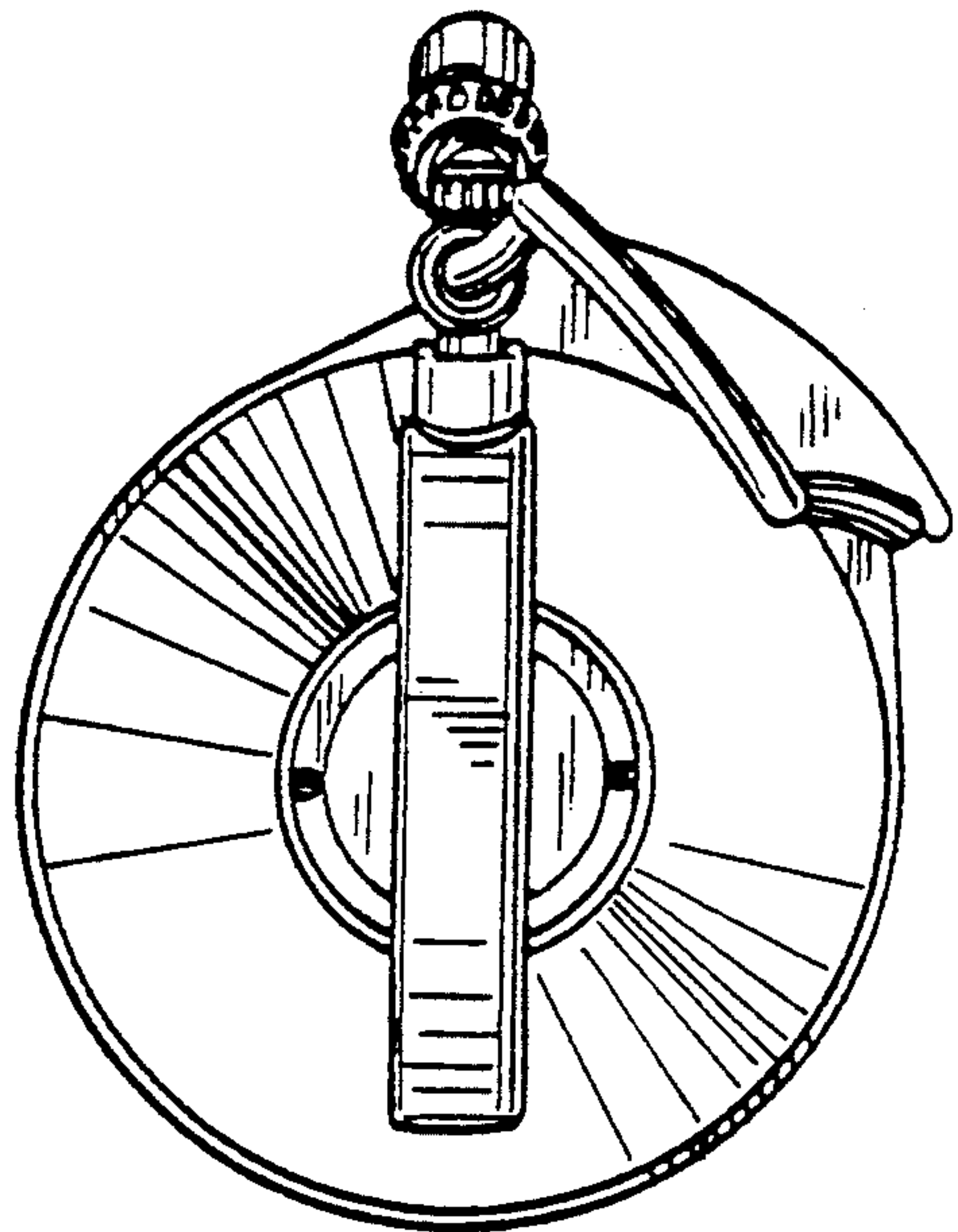


FIG. 4

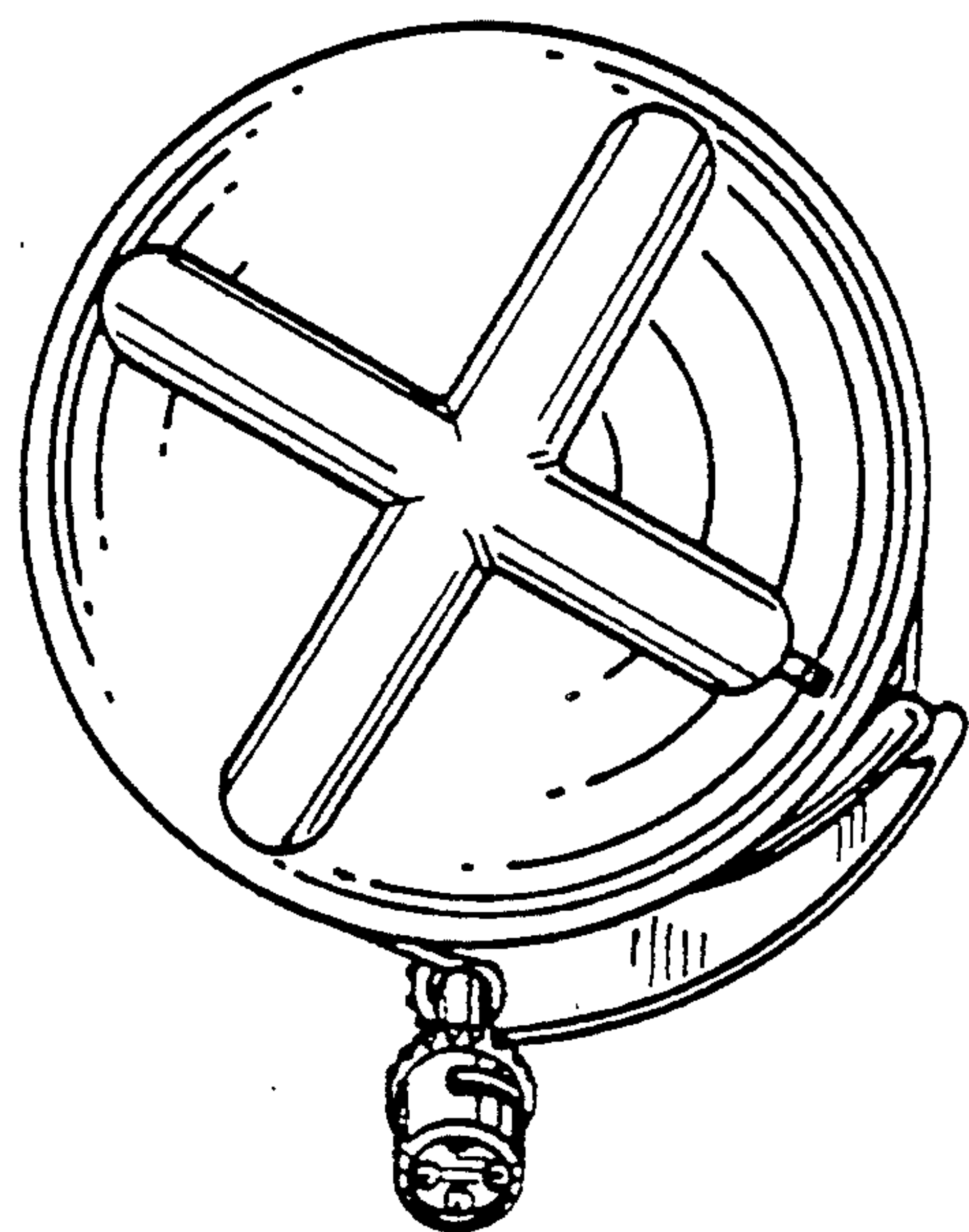


FIG. 3

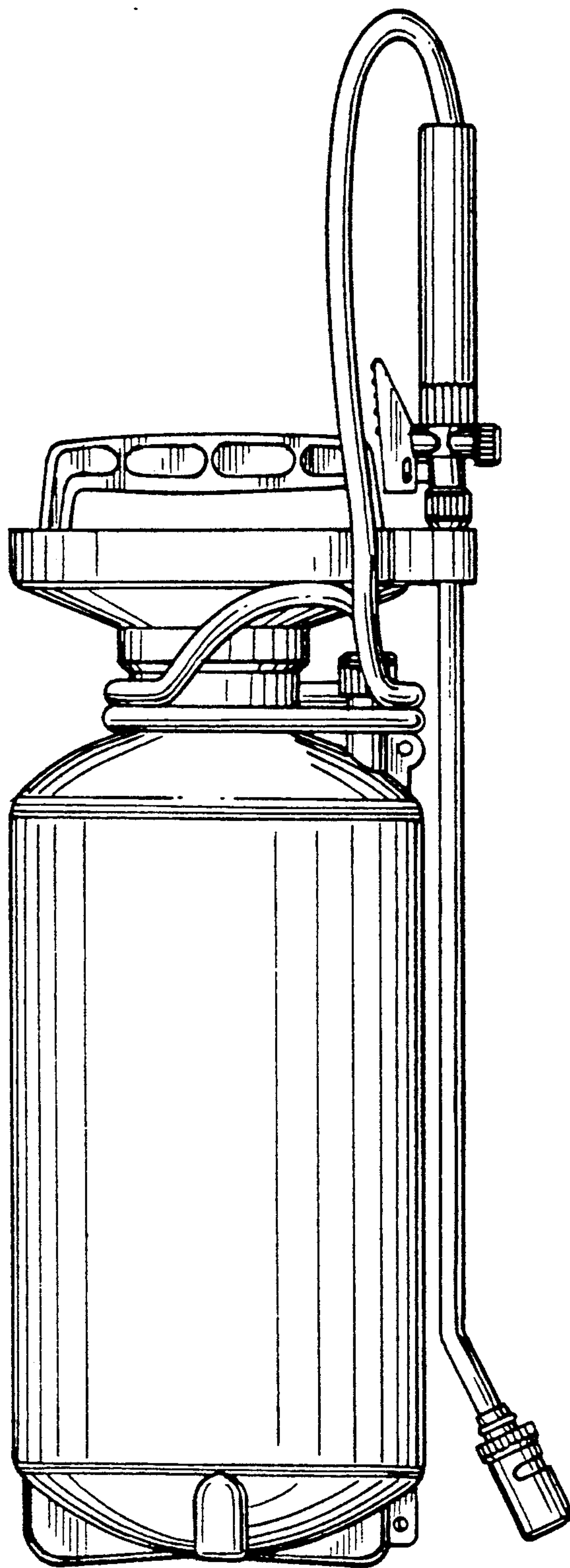


FIG. 5

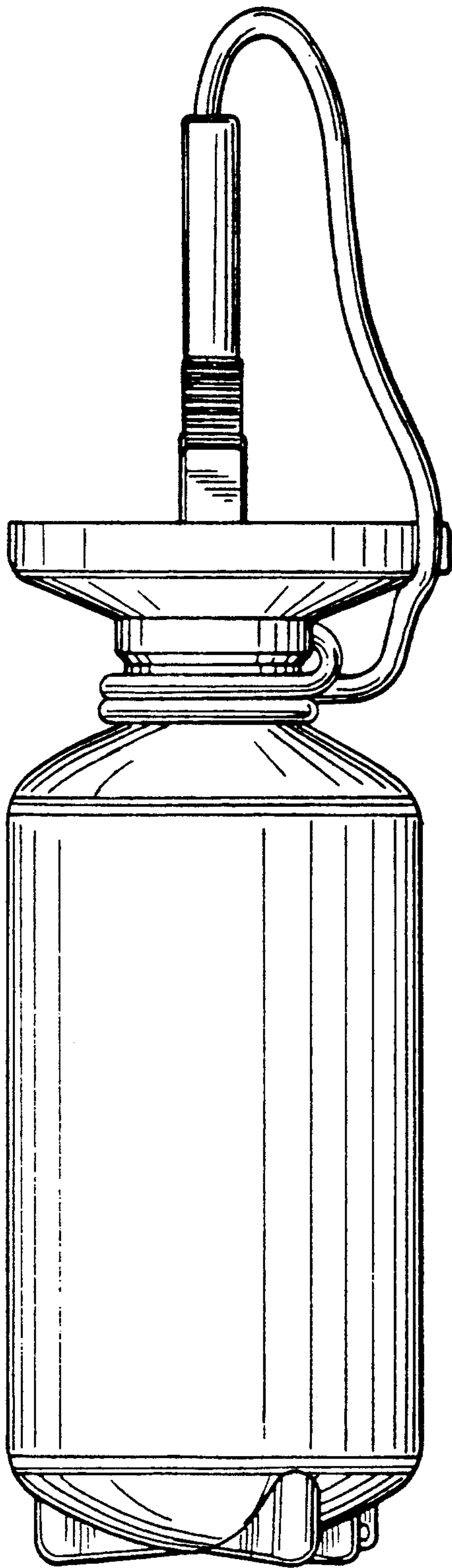


FIG. 6

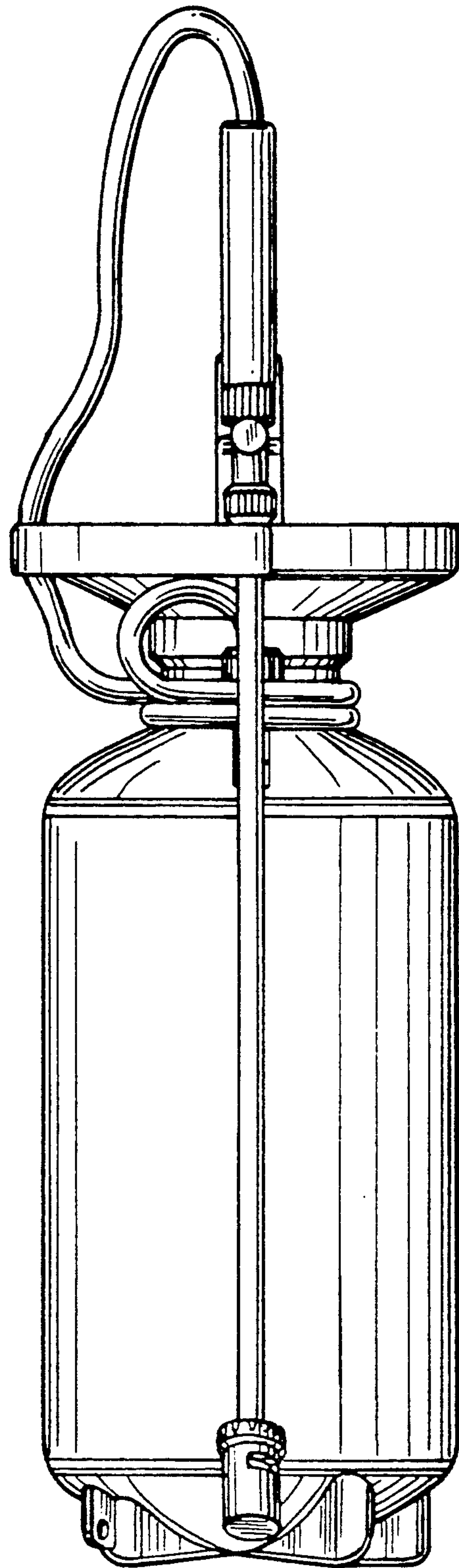


FIG. 7