



US00D347046S

United States Patent [19]
Sakurai

[11] **Patent Number: Des. 347,046**
[45] **Date of Patent: ** May 17, 1994**

[54] **FISHING REEL**
[75] **Inventor: Tomoharu Sakurai, Wakayama, Japan**
[73] **Assignee: Shimano Inc., Osaka, Japan**
[**] **Term: 14 Years**
[21] **Appl. No.: 681,181**
[22] **Filed: Apr. 5, 1991**
[52] **U.S. Cl. D22/140**
[58] **Field of Search 242/223, 224, 236, 238, 242/257-262, 264, 268, 279, 311, 312, 288, 310, 313; D22/140, 141**

D. 326,308 5/1992 Sakurai D22/140
4,750,684 6/1988 Morimoto 242/279 X
4,819,893 4/1989 Ueno 242/310 X

Primary Examiner—A. Hugo Word
Assistant Examiner—Doris V. Coles
Attorney, Agent, or Firm—Dickstein, Shapiro & Morin

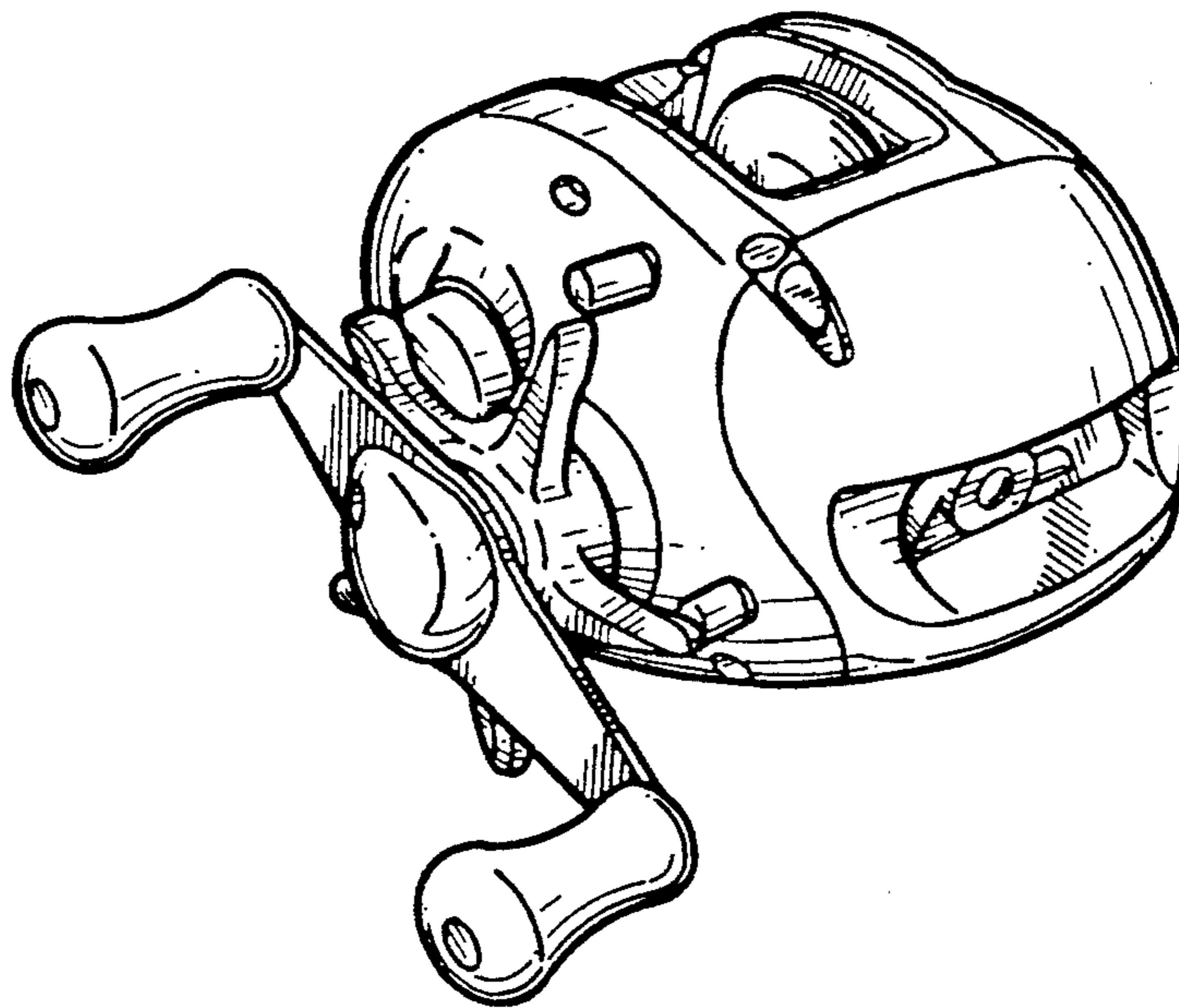
[57] **CLAIM**

The ornamental design of a fishing reel, as shown and described.

DESCRIPTION

FIG. 1 is a left-side view of the fishing reel;
FIG. 2 is a front view of the fishing reel;
FIG. 3 is a right-side view of the fishing reel;
FIG. 4 is a rear view of the fishing reel;
FIG. 5 is a top-plan view of the fishing reel;
FIG. 6 is a bottom-plan view of the fishing reel;
FIG. 7 is a perspective rear view of the fishing reel; and,
FIG. 8 is a perspective front view of the fishing reel.

[56] **References Cited**
U.S. PATENT DOCUMENTS
D. 294,381 2/1988 Robbins D22/140
D. 315,011 2/1991 Kameda et al. D22/140



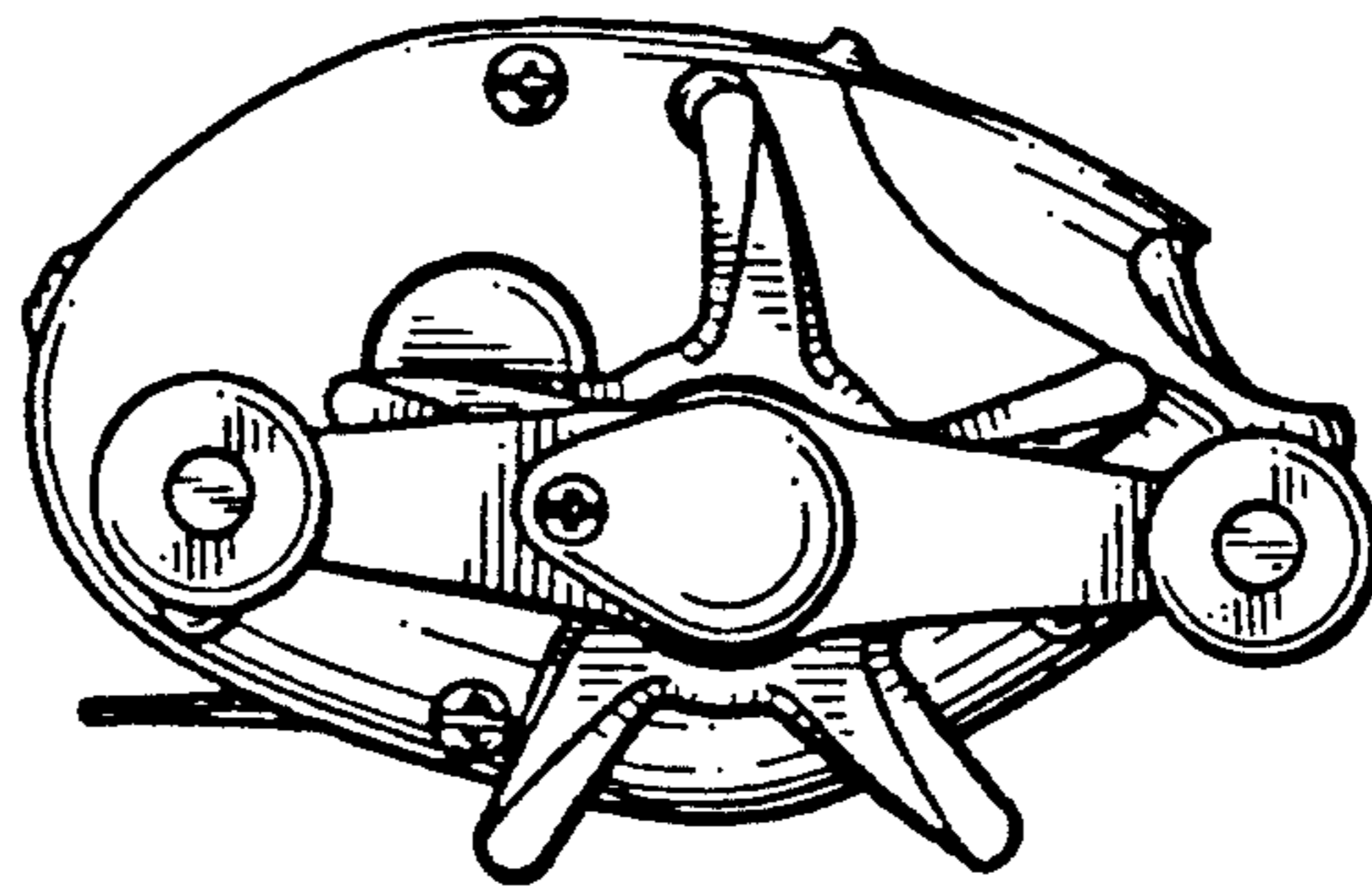


FIG. 1

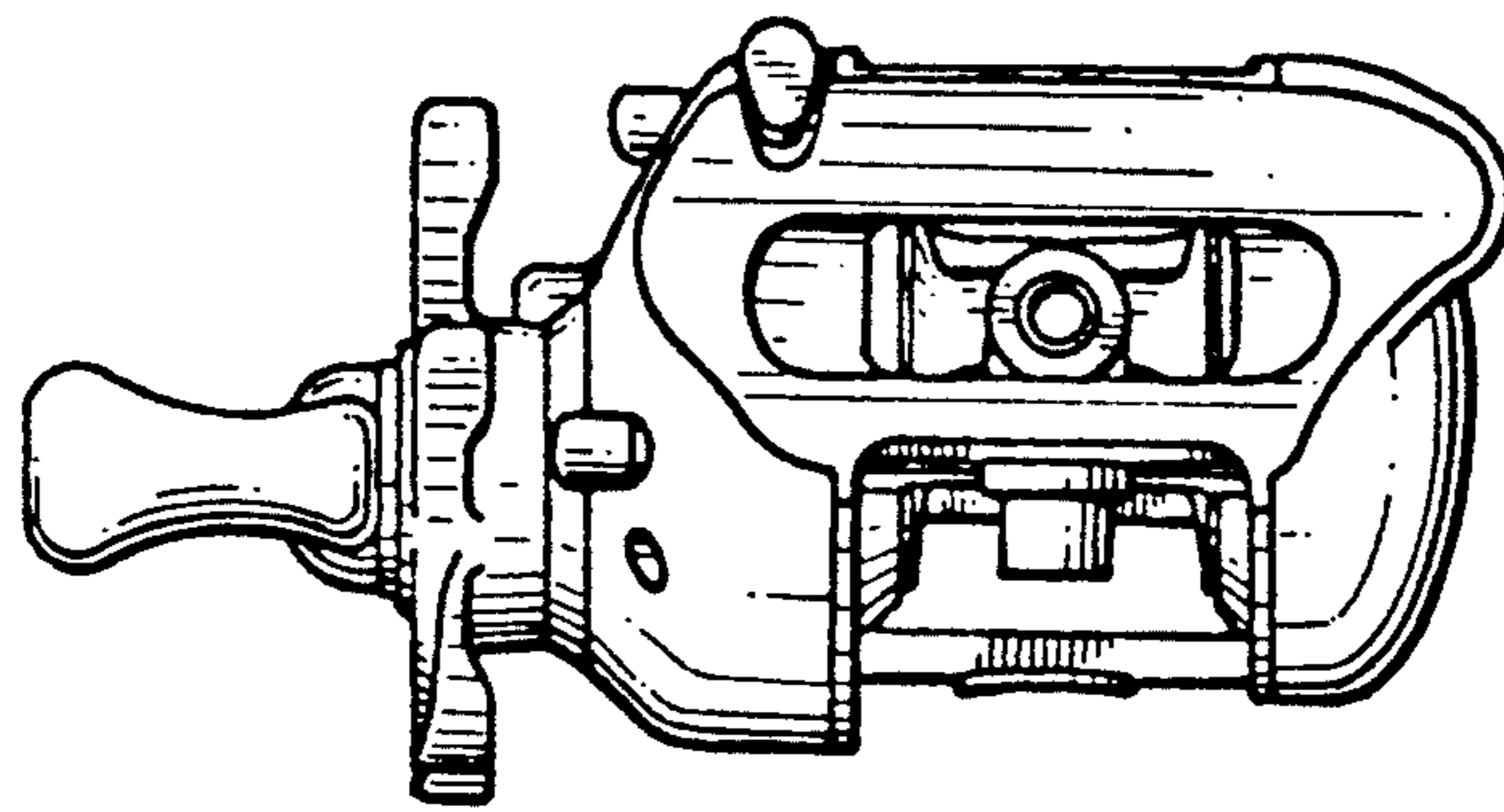


FIG. 2

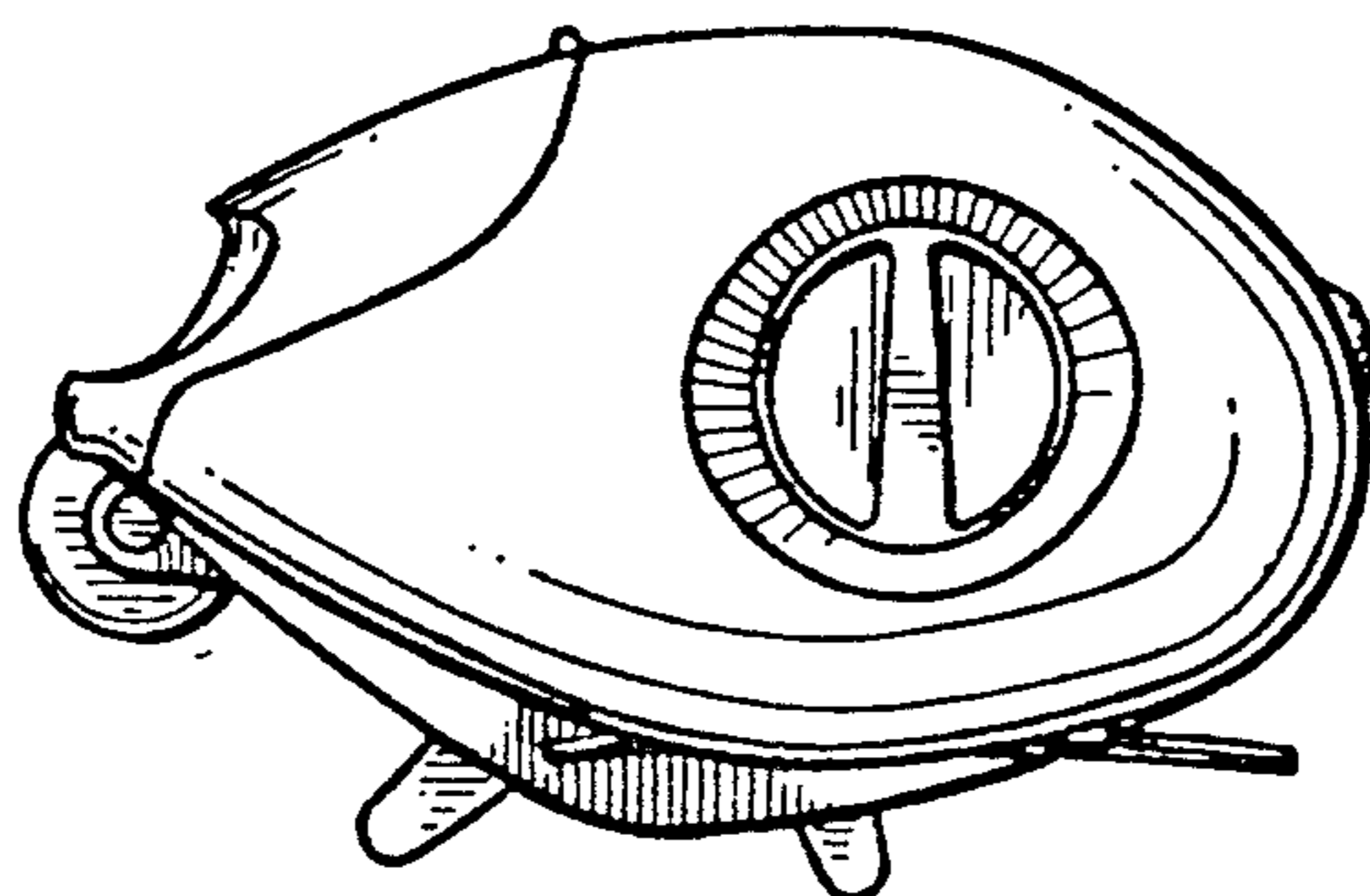


FIG. 3

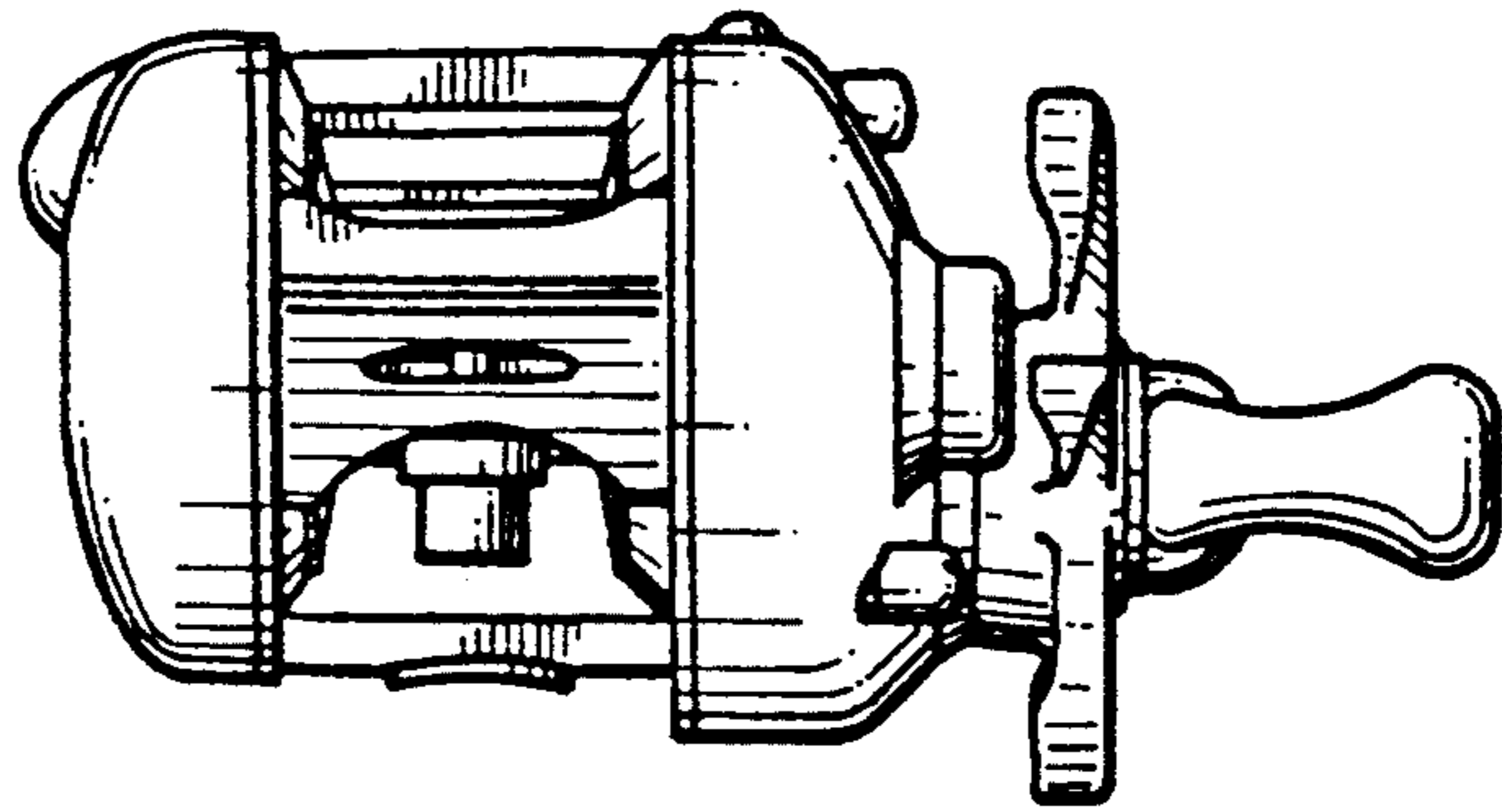


FIG. 4

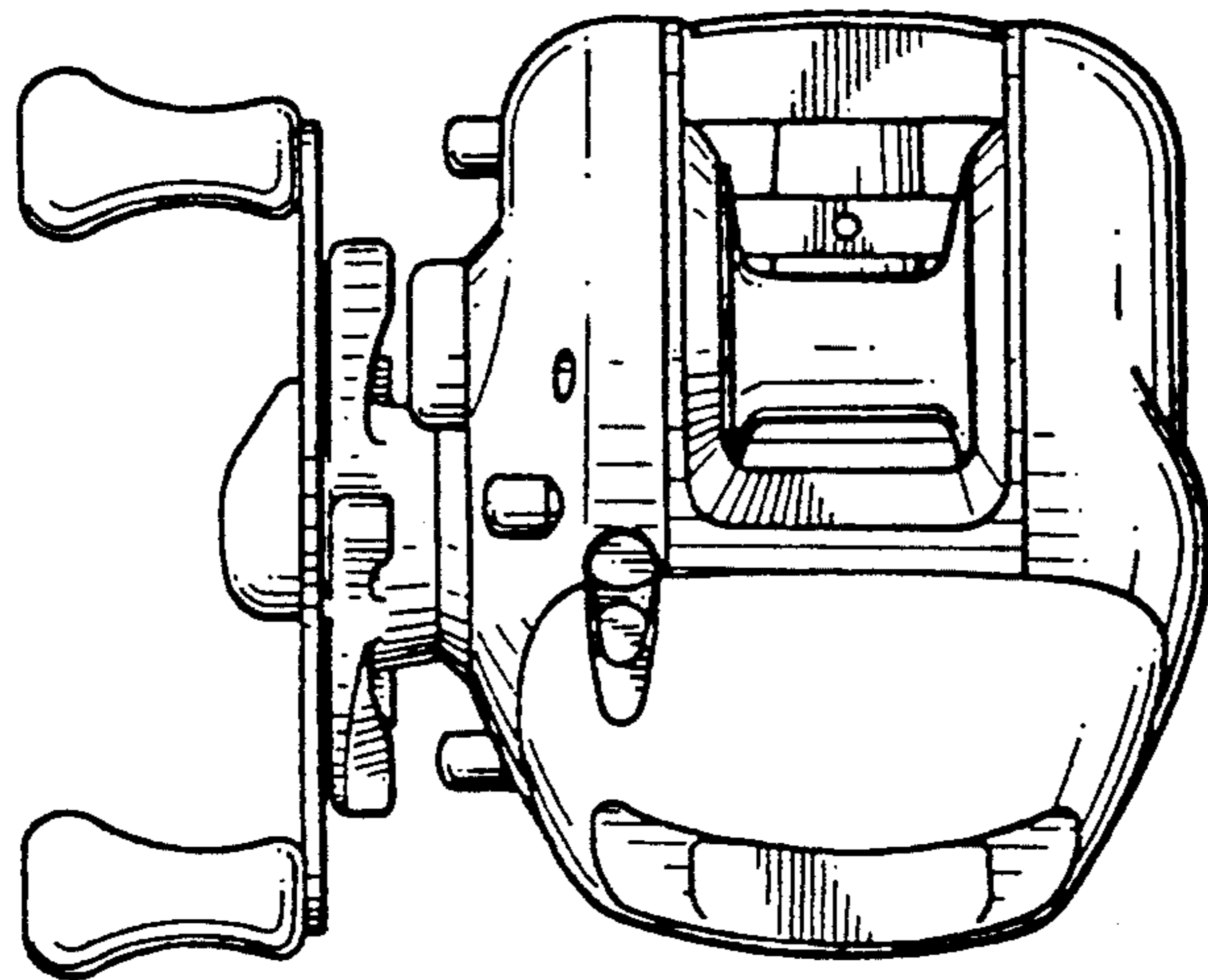


FIG. 5

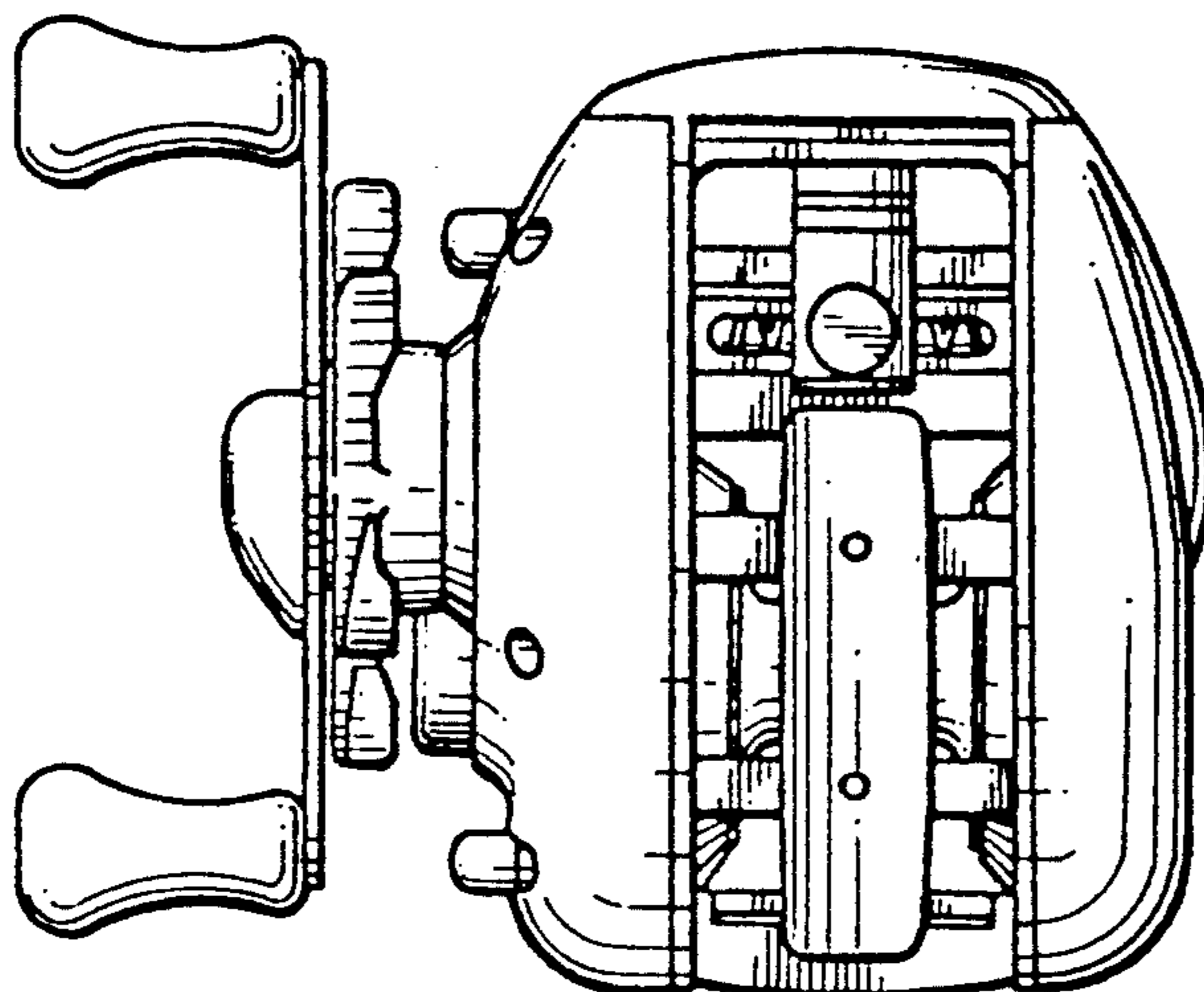


FIG. 6

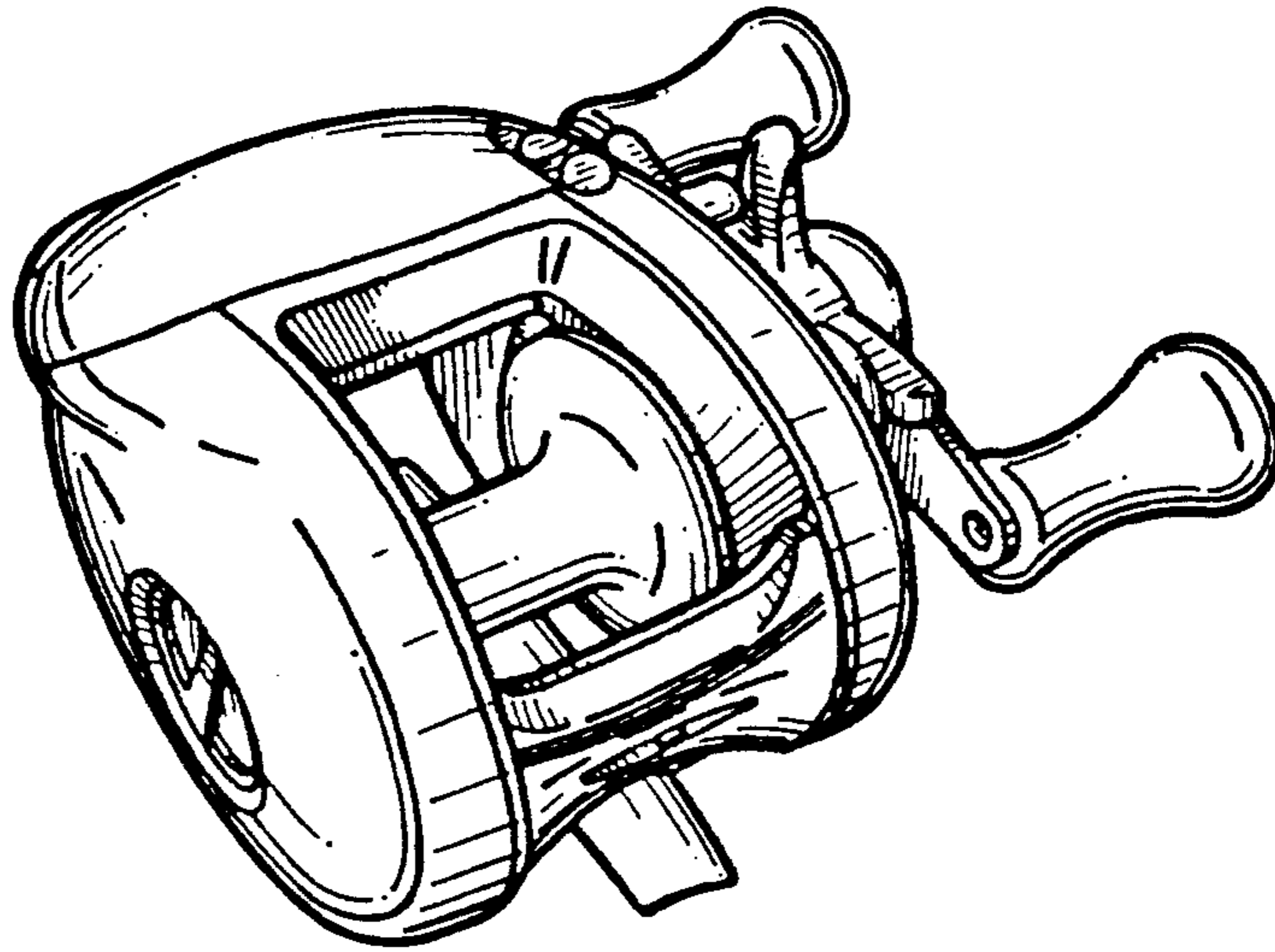


FIG. 7

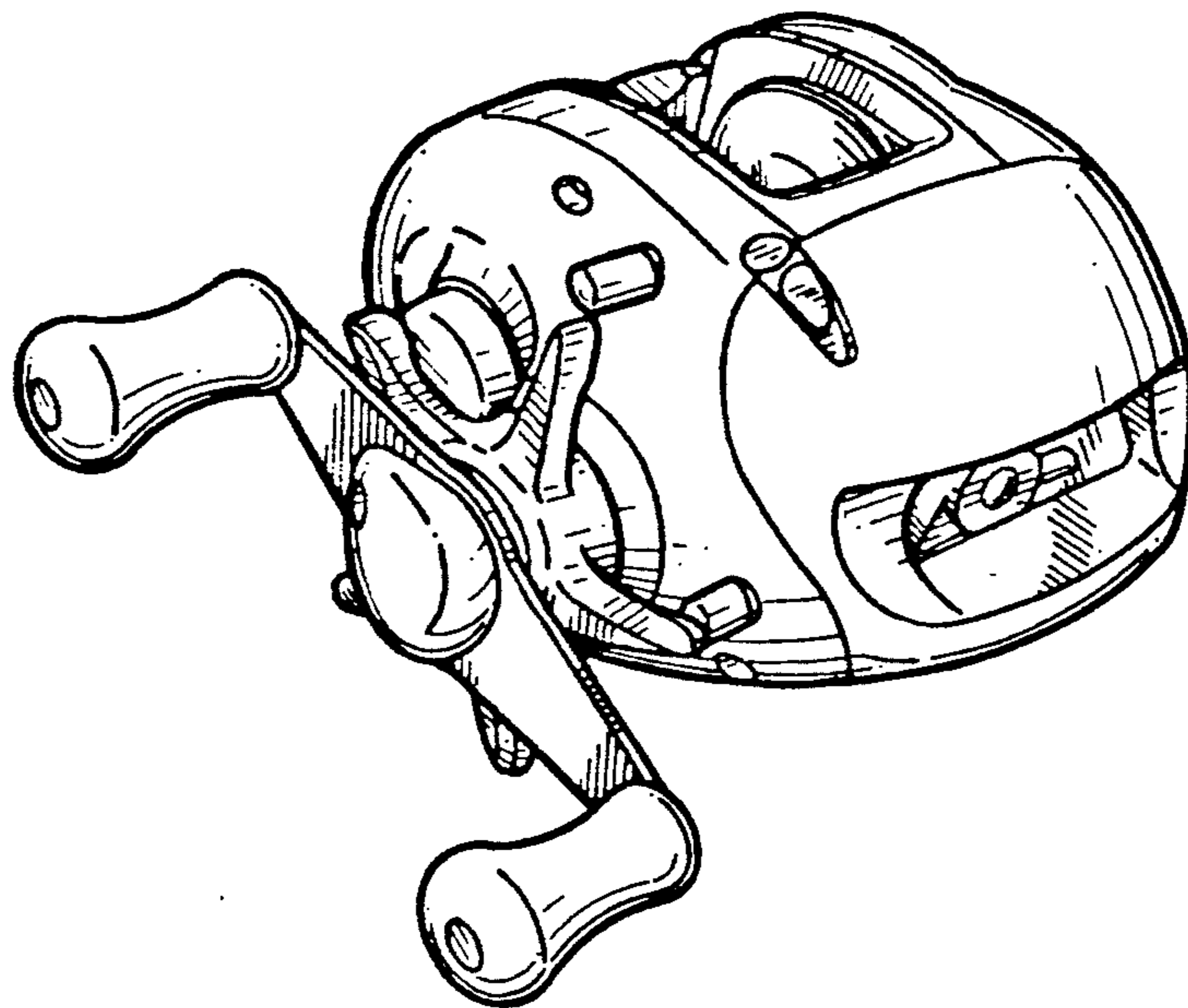


FIG. 8