



US00D347041S

United States Patent [19]

[11] Patent Number: **Des. 347,041**

Calderone

[45] Date of Patent: **** May 17, 1994**

[54] HANDLE ASSEMBLY FOR A PHYSICAL EXERCISER

[76] Inventor: **Michael P. Calderone, 9080 Evergreen, Brighton, Mich. 48116**

[**] Term: **14 Years**

[21] Appl. No.: **816,949**

[22] Filed: **Jan. 3, 1992**

[52] U.S. Cl. **D21/198; D21/191**

[58] Field of Search **482/97, 98, 93, 94, 482/142; D21/191, 195, 198, 196**

[56] **References Cited**

U.S. PATENT DOCUMENTS

D. 230,613	3/1974	Coker	D21/195
D. 261,021	9/1981	Lambert, Sr.	D. 21/196
D. 268,508	4/1983	Silberman et al.	D21/195
D. 288,451	2/1987	Irvine et al.	D21/195
D. 296,709	7/1988	Gvoich et al.	D21/195
4,232,863	11/1980	Roach	482/142
4,266,766	5/1981	Calderone	272/117
4,323,236	4/1982	Szabo	482/97

4,563,003	1/1986	Bugallo et al.	272/118
4,627,614	12/1986	De Angeli	272/117
4,634,127	1/1987	Rockwell	482/142
4,757,992	7/1988	Heitsch et al.	272/118 X
4,784,384	11/1988	Deola	272/134 X
4,792,135	12/1988	Chin-Sen	482/98
4,923,195	5/1990	Calderone	272/117

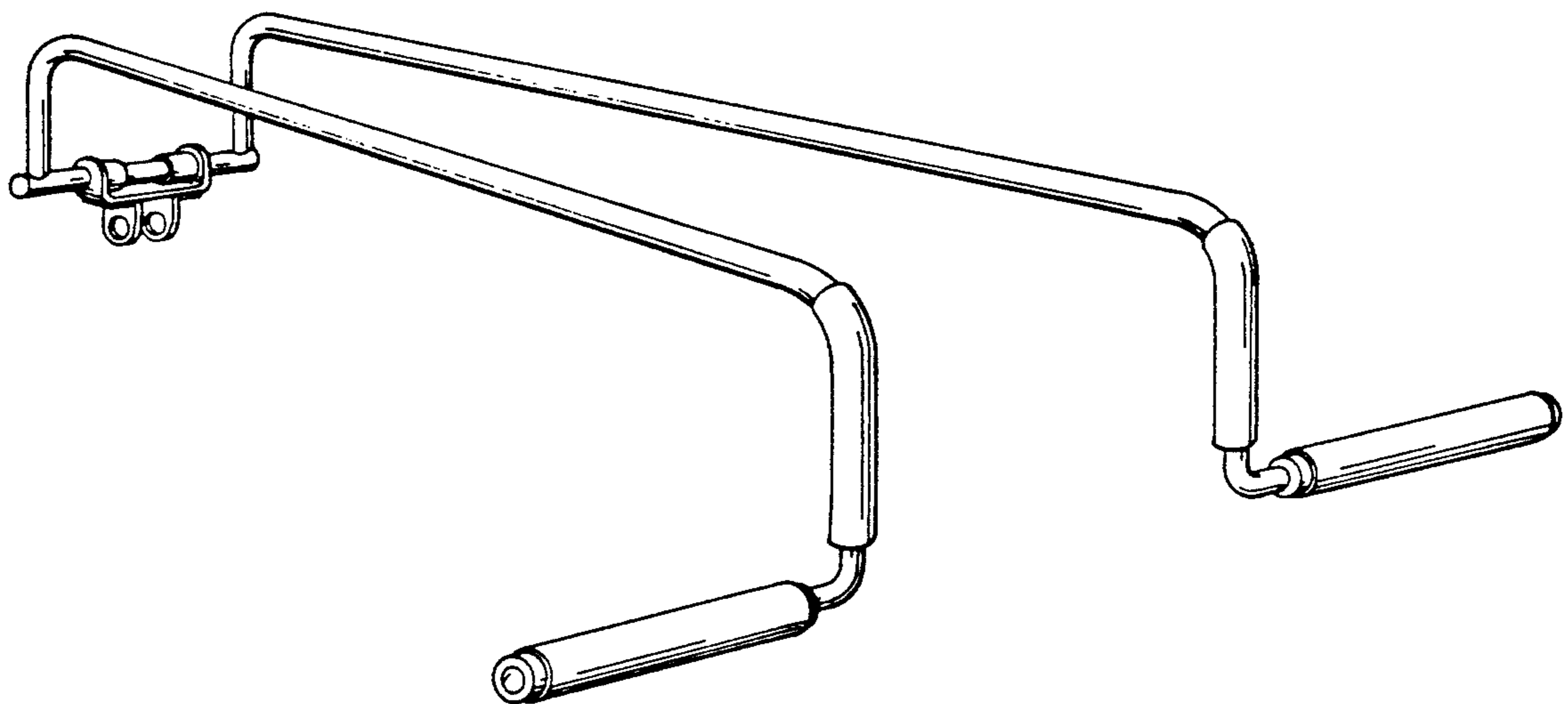
Primary Examiner—Bernard Ansher
Assistant Examiner—Philip Hyder
Attorney, Agent, or Firm—Brooks & Kushman

[57] **CLAIM**

The ornamental design for a handle assembly for a physical exerciser, as shown and described.

DESCRIPTION

FIG. 1 is a perspective view of a handle assembly for a physical exerciser showing my new design; FIG. 2 is a left side elevational view, the right side view being a mirror image thereof; FIG. 3 is a bottom plan view; FIG. 4 is a top plan view; FIG. 5 is a rear elevational view thereof; and, FIG. 6 is a front elevational view thereof.



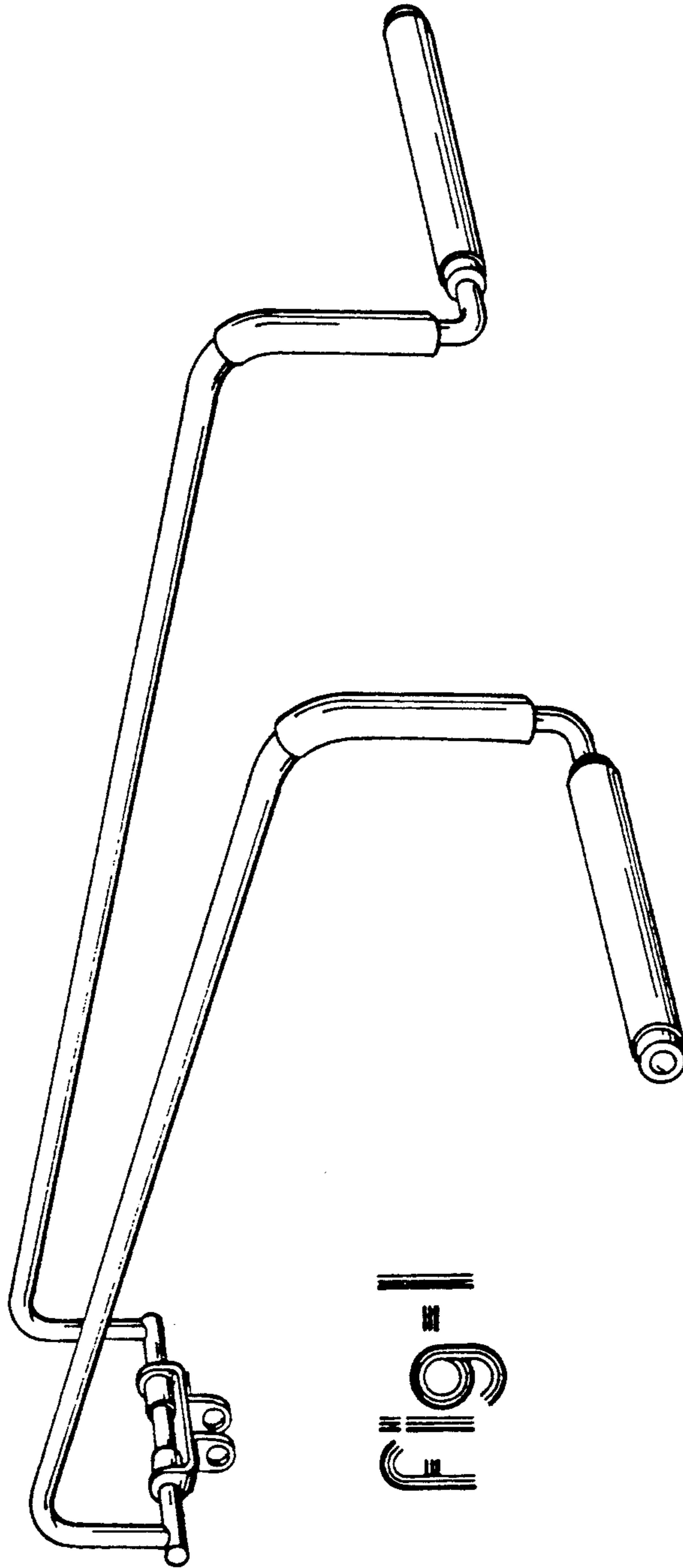


Fig. 1

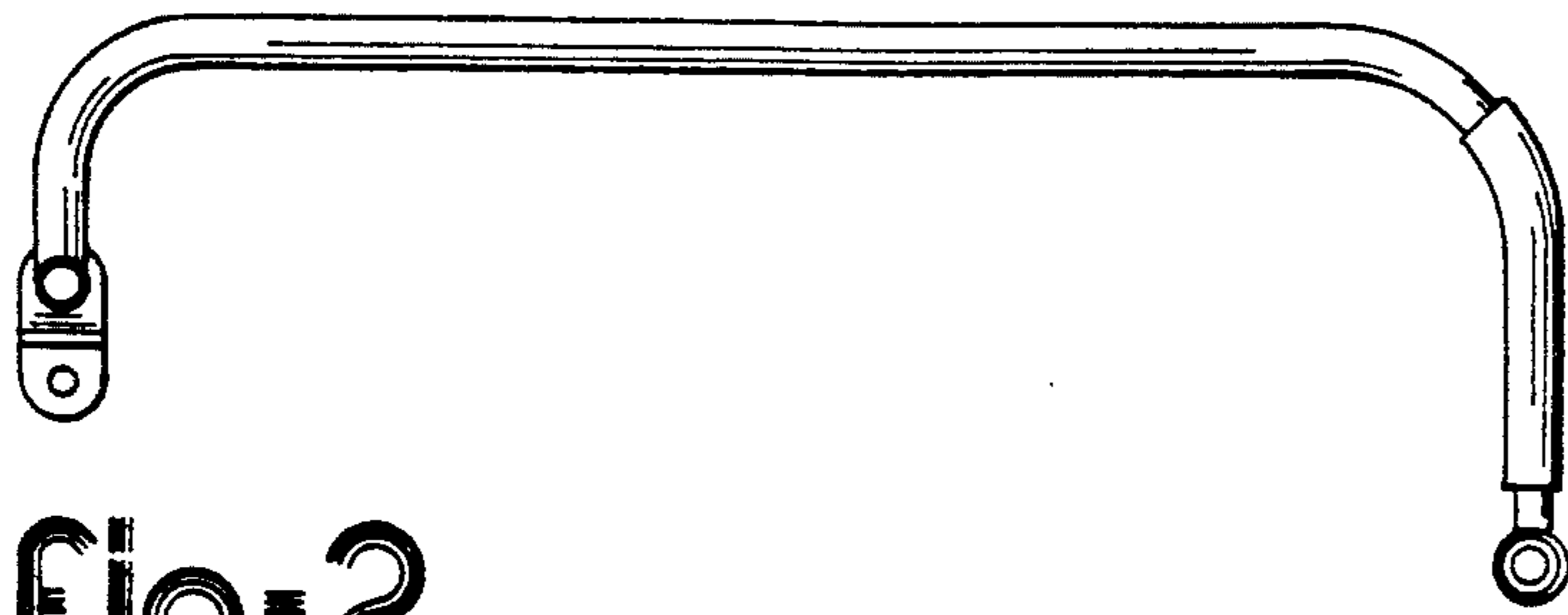


Fig-2

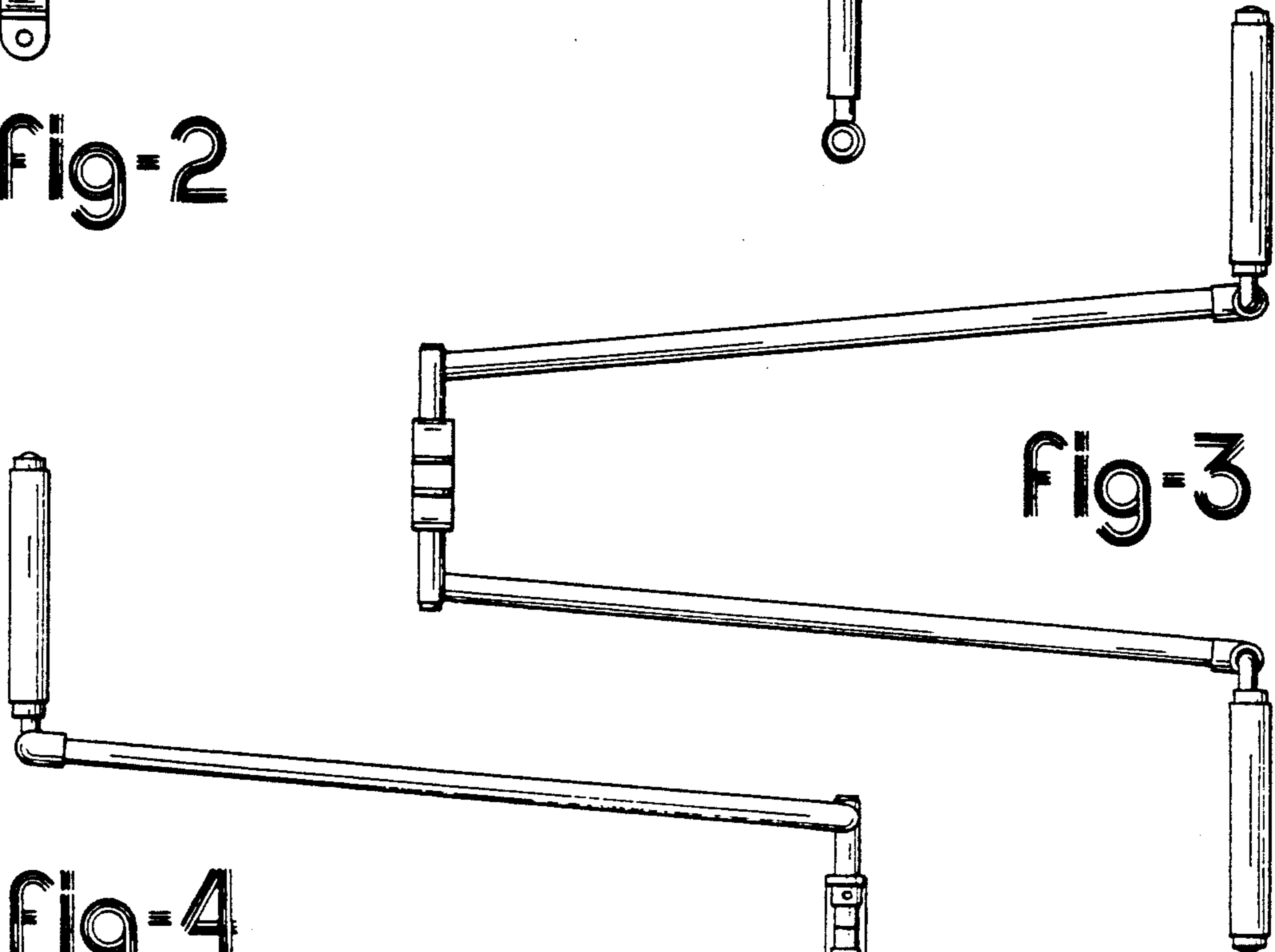


Fig-3

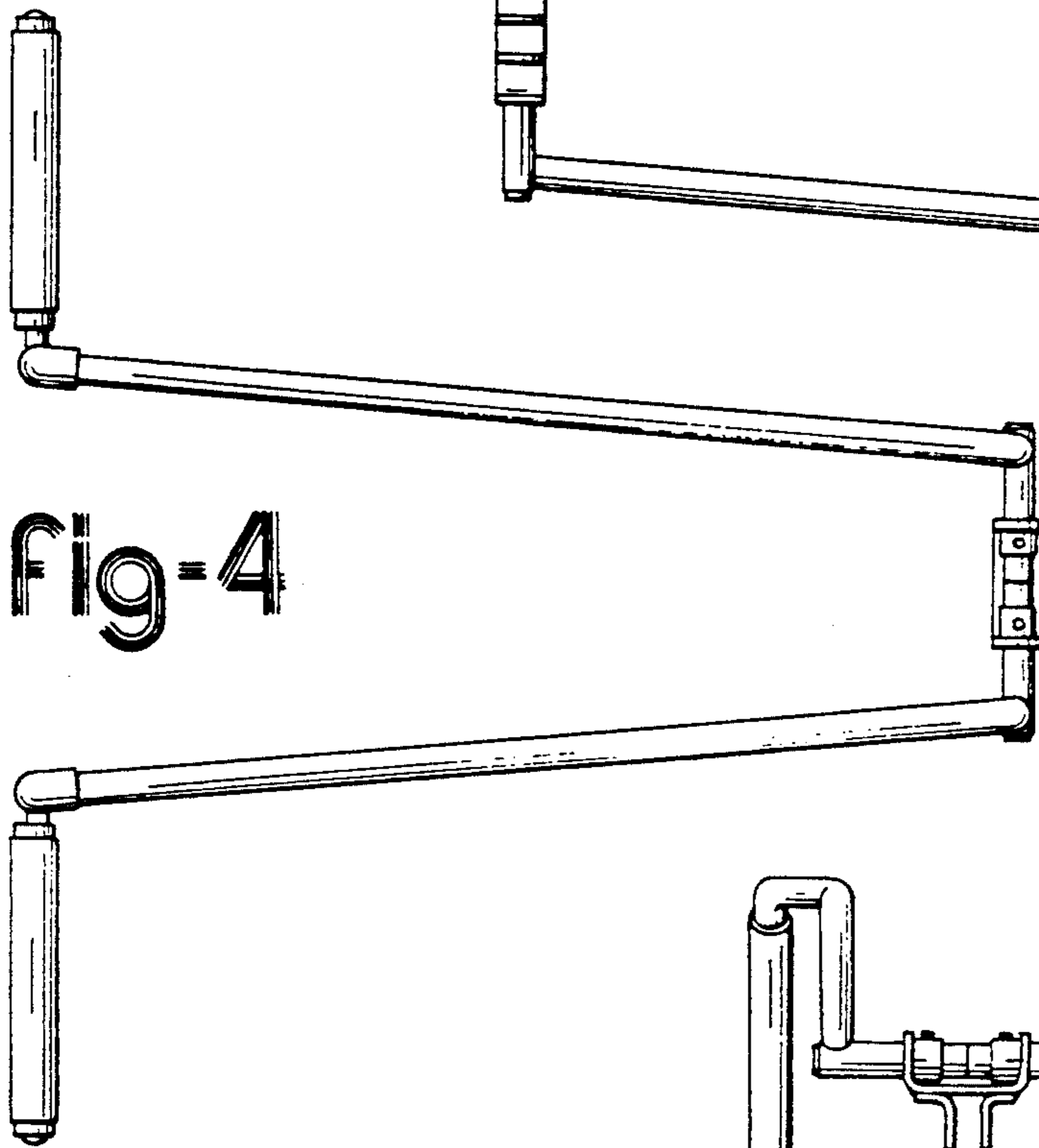


Fig-4

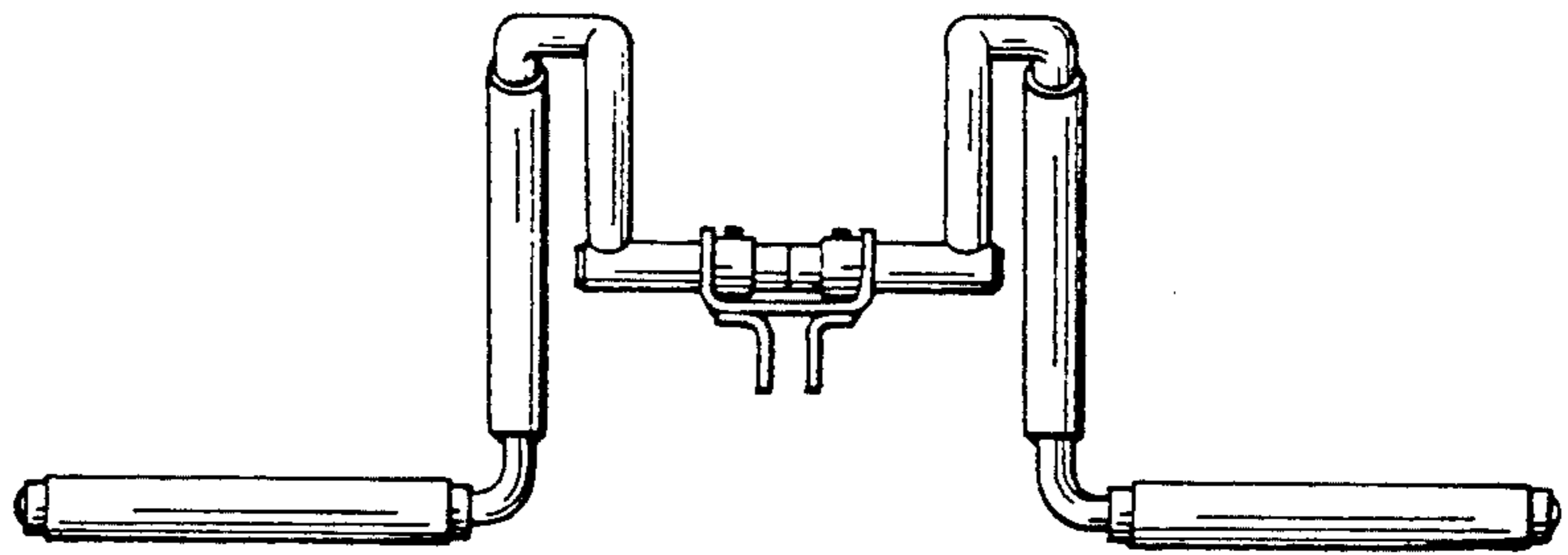


Fig-5

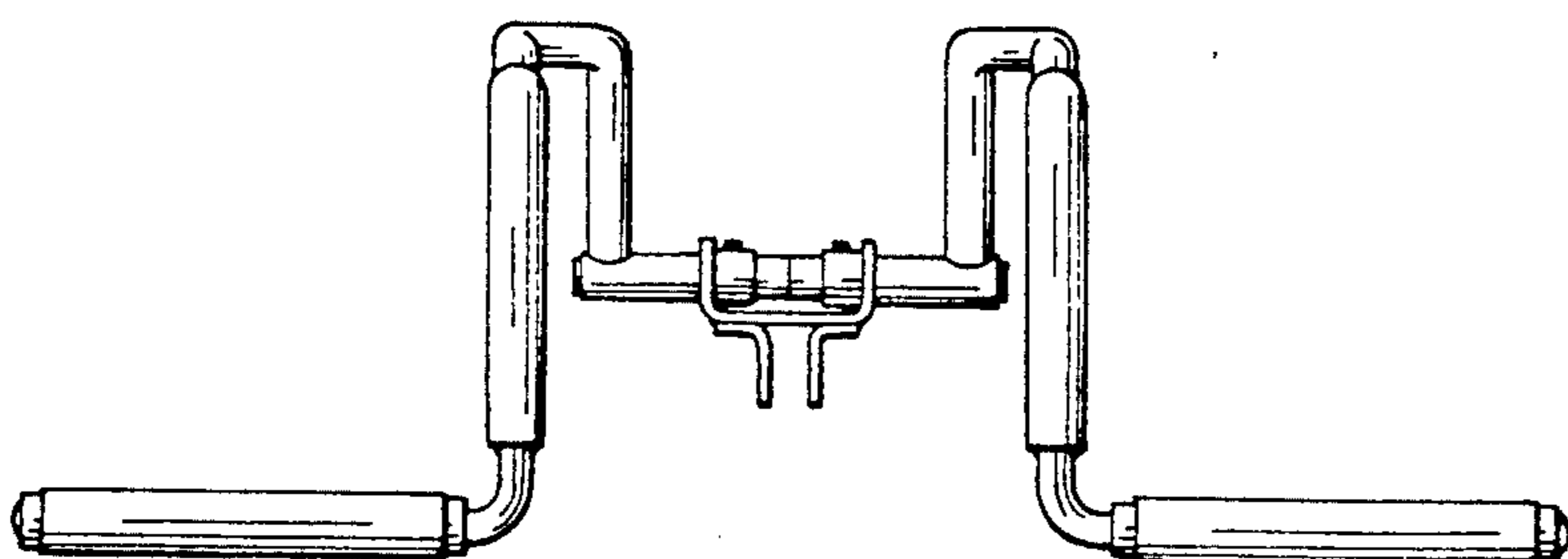


Fig-6