



US00D347039S

**United States Patent** [19]  
**Littrell et al.**

[11] **Patent Number: Des. 347,039**  
[45] **Date of Patent: \*\* May 17, 1994**

[54] **RECUMBENT EXERCISE CYCLE**

[75] **Inventors: David J. Littrell, Lynnwood; Kenneth G. Real, Redmond, both of Wash.**

[73] **Assignee: Precor Incorporated, Bothell, Wash.**

[\*\*] **Term: 14 Years**

[21] **Appl. No.: 923,211**

[22] **Filed: Jul. 31, 1992**

[52] **U.S. Cl. .... D21/194**

[58] **Field of Search ..... 482/57, 58, 59; D21/191, 194**

[56] **References Cited**

**U.S. PATENT DOCUMENTS**

- D. 218,107 7/1970 Feather et al. .... D34/5
- D. 283,151 3/1986 Knief ..... D21/194
- D. 283,636 4/1986 Lepley ..... D21/194
- D. 298,641 11/1988 Sheltra ..... D21/194
- D. 300,046 2/1989 Armstrong et al. .... D21/194
- D. 300,047 2/1989 Sheltra ..... D21/194
- D. 310,253 8/1990 Bersonnet et al. .... D21/194
- D. 320,826 10/1991 Hildebrandt et al. .... D21/194
- 4,589,656 5/1986 Baldwin ..... 272/73
- 4,776,583 10/1988 Jennings ..... 482/58

**FOREIGN PATENT DOCUMENTS**

7830050 9/1989 Japan .

**OTHER PUBLICATIONS**

Brochure entitled "E504 Recumbent Cycle." Tunturi, Inc. of Bellevue, Wash. (1989).

Brochure entitled "Fitness Trainer® Magnetic Resistance Recumbent Cycle by Paramount Fitness Equipment Corp. of Los Angeles, Calif." (1991).

Brochure entitled "The Benchmark 940 Cycle" an AMF American of Jefferson, Iowa (1984).

Brochure entitled "The AMF Benchmark Series" by Electronics by Design.

Brochure entitled "3 Functions One Machine" by Triangle Health & Fitness Systems of Morrisville, N.C. (1986).

*Primary Examiner*—Bernard Ansher

*Assistant Examiner*—Philip S. Hyder

*Attorney, Agent, or Firm*—Christensen, O'Connor, Johnson & Kindness

[57] **CLAIM**

The ornamental design for a recumbent exercise cycle, as shown and described.

**DESCRIPTION**

FIG. 1 is a rear perspective view of the recumbent exercise cycle showing our new design;

FIG. 2 is a side elevational view thereof;

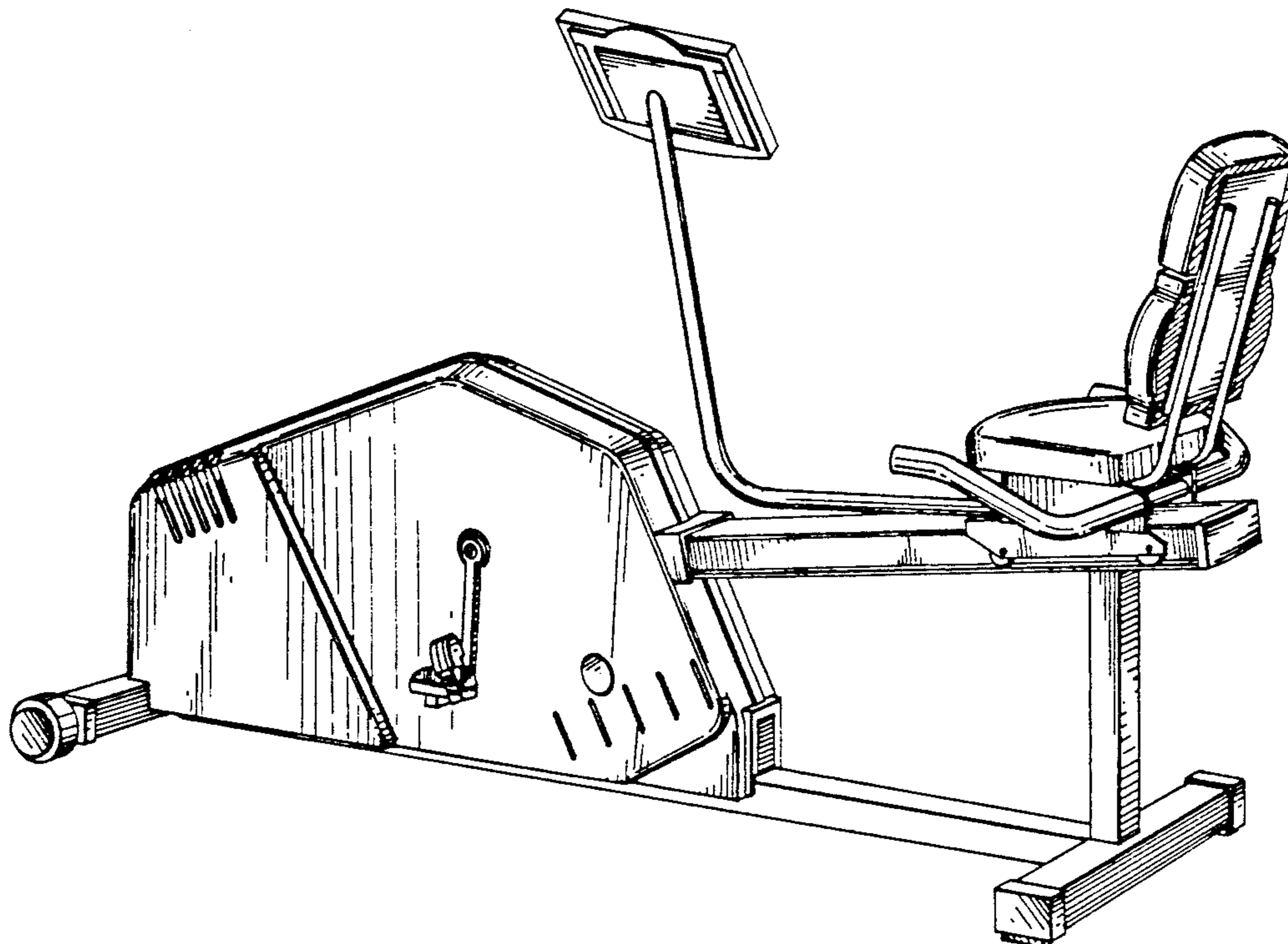
FIG. 3 is a side elevational view thereof taken from the opposite side of FIG. 3;

FIG. 4 is a top view thereof;

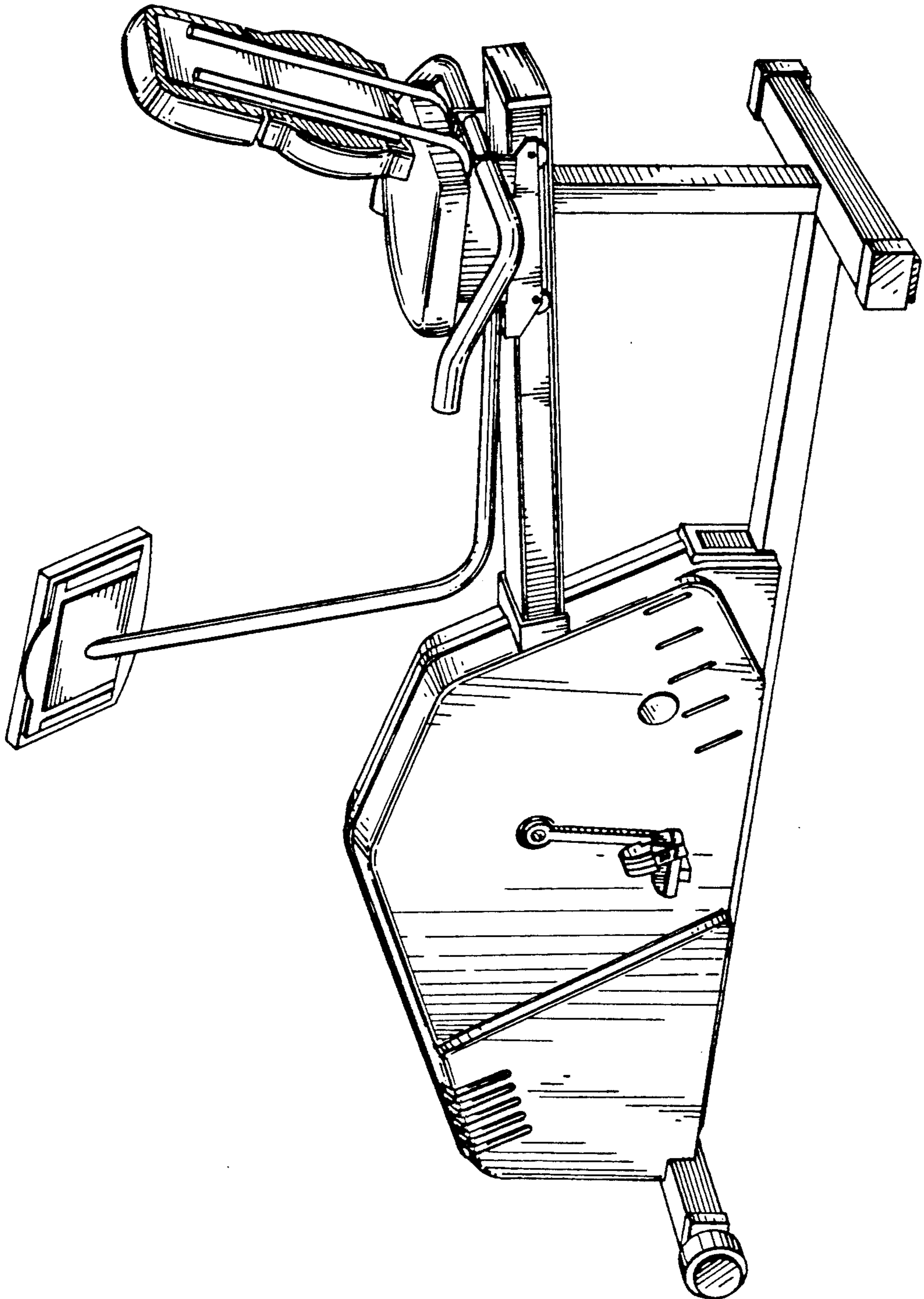
FIG. 5 is a bottom view thereof;

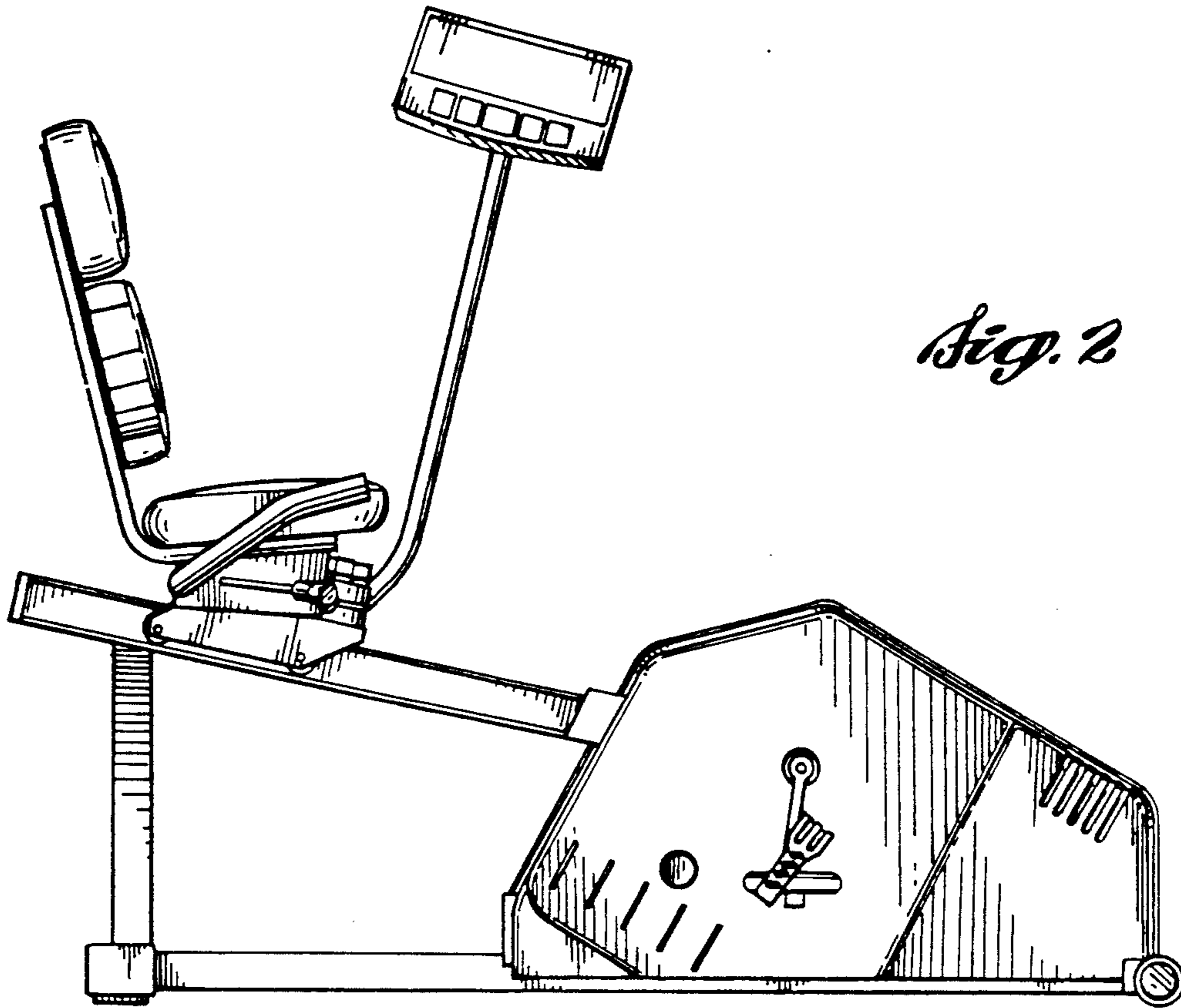
FIG. 6 is a front elevational view thereof; and,

FIG. 7 is a rear elevational view thereof.

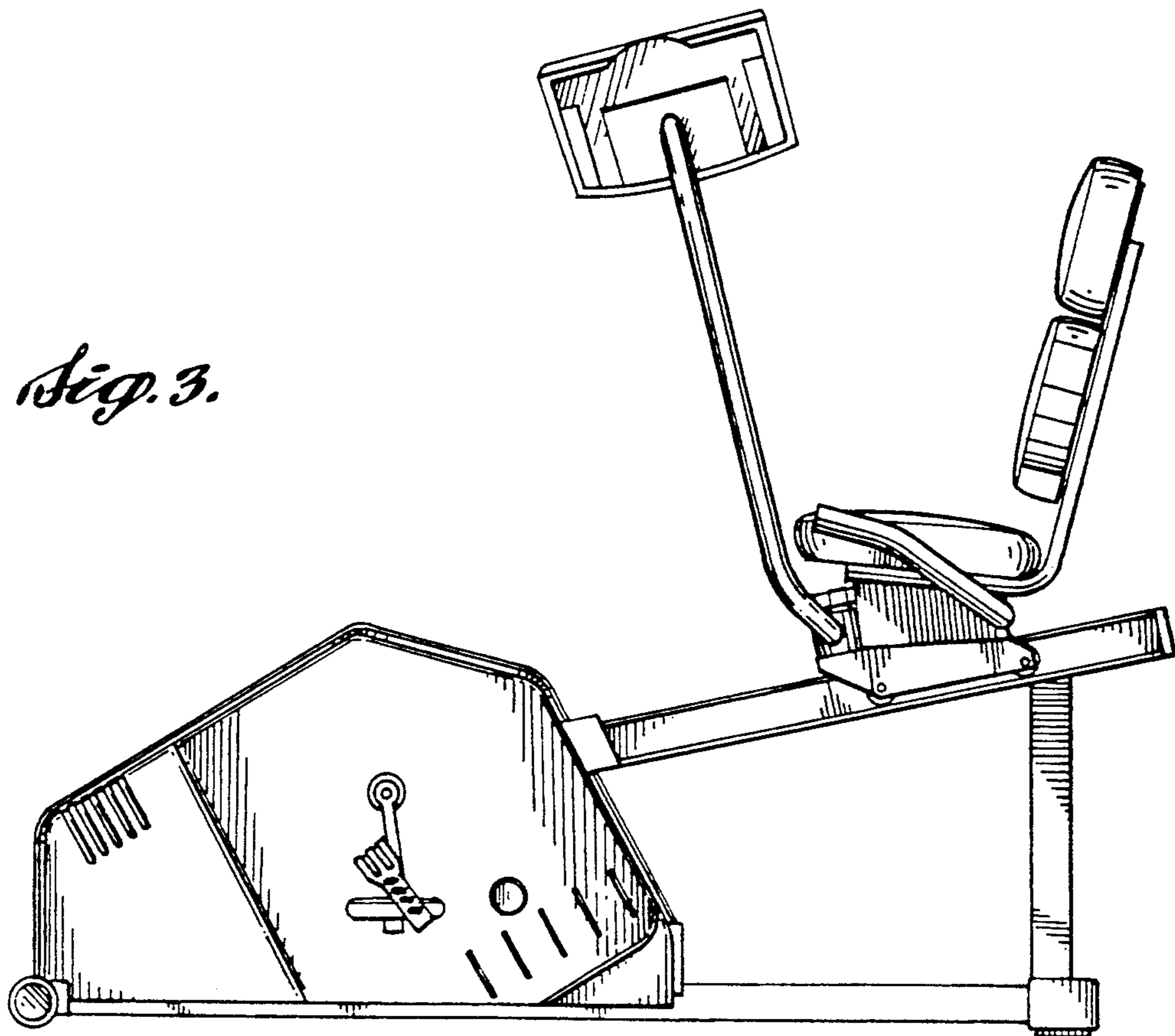


*Fig. 1.*

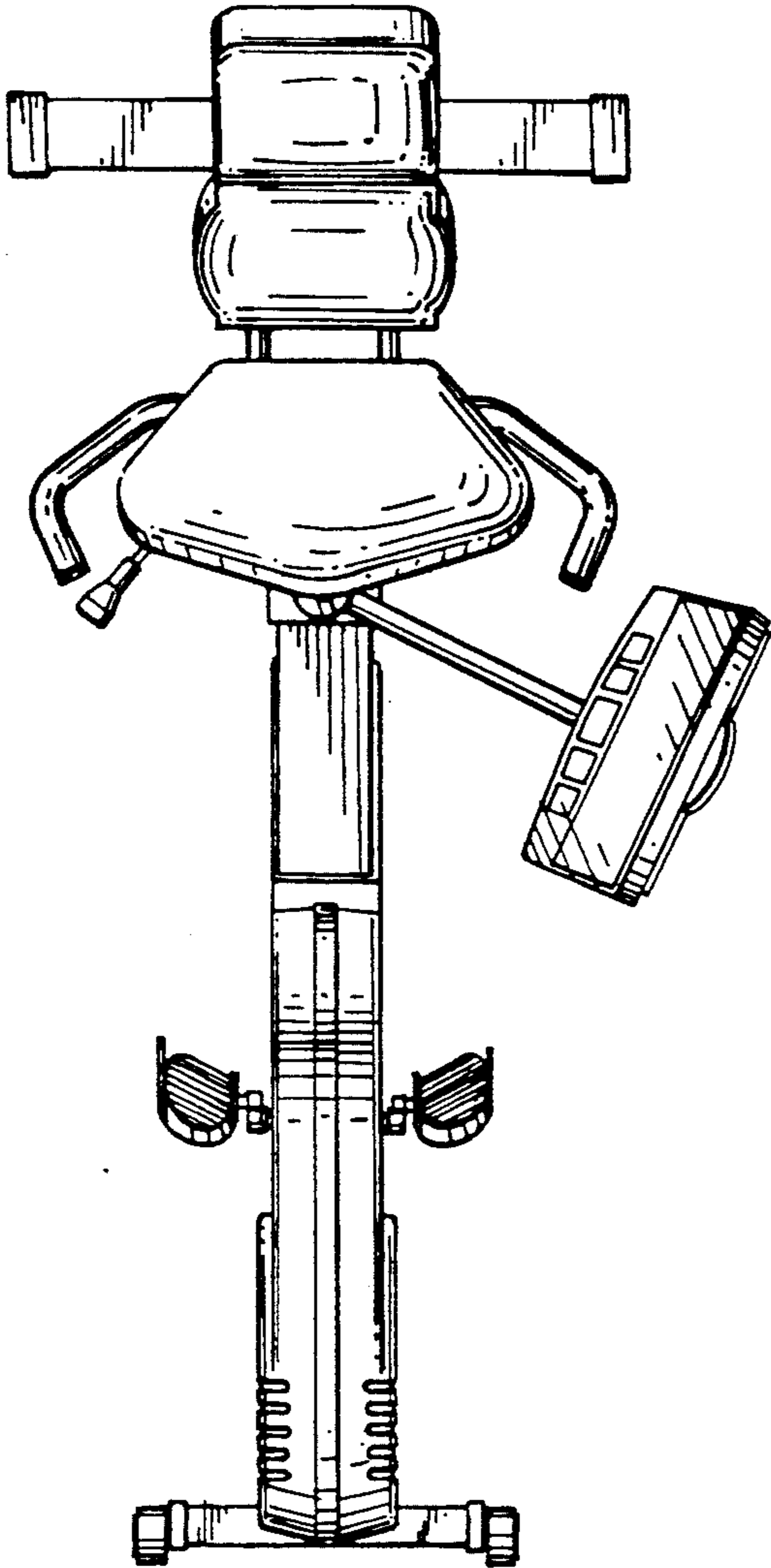




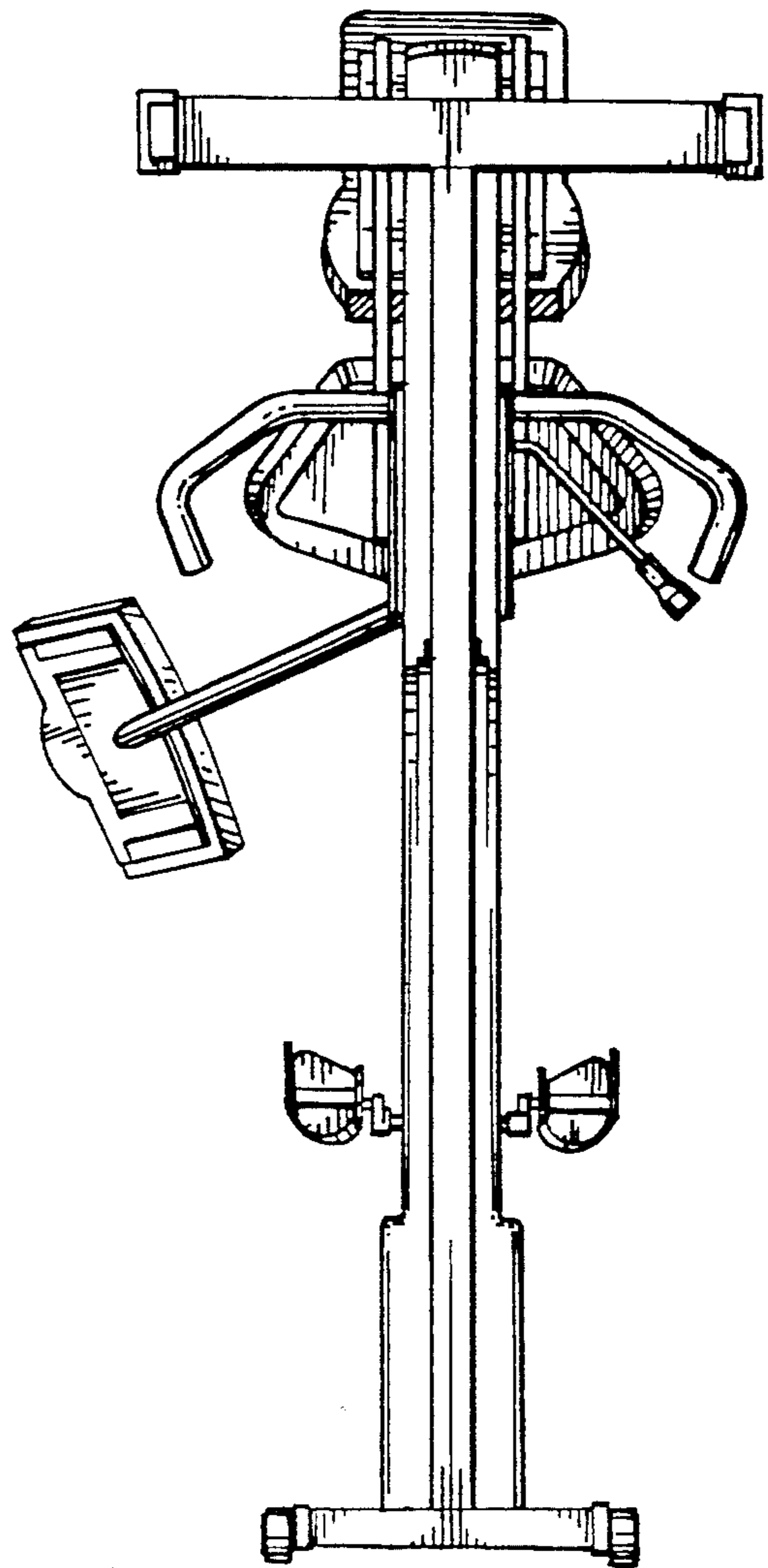
*Fig. 2*



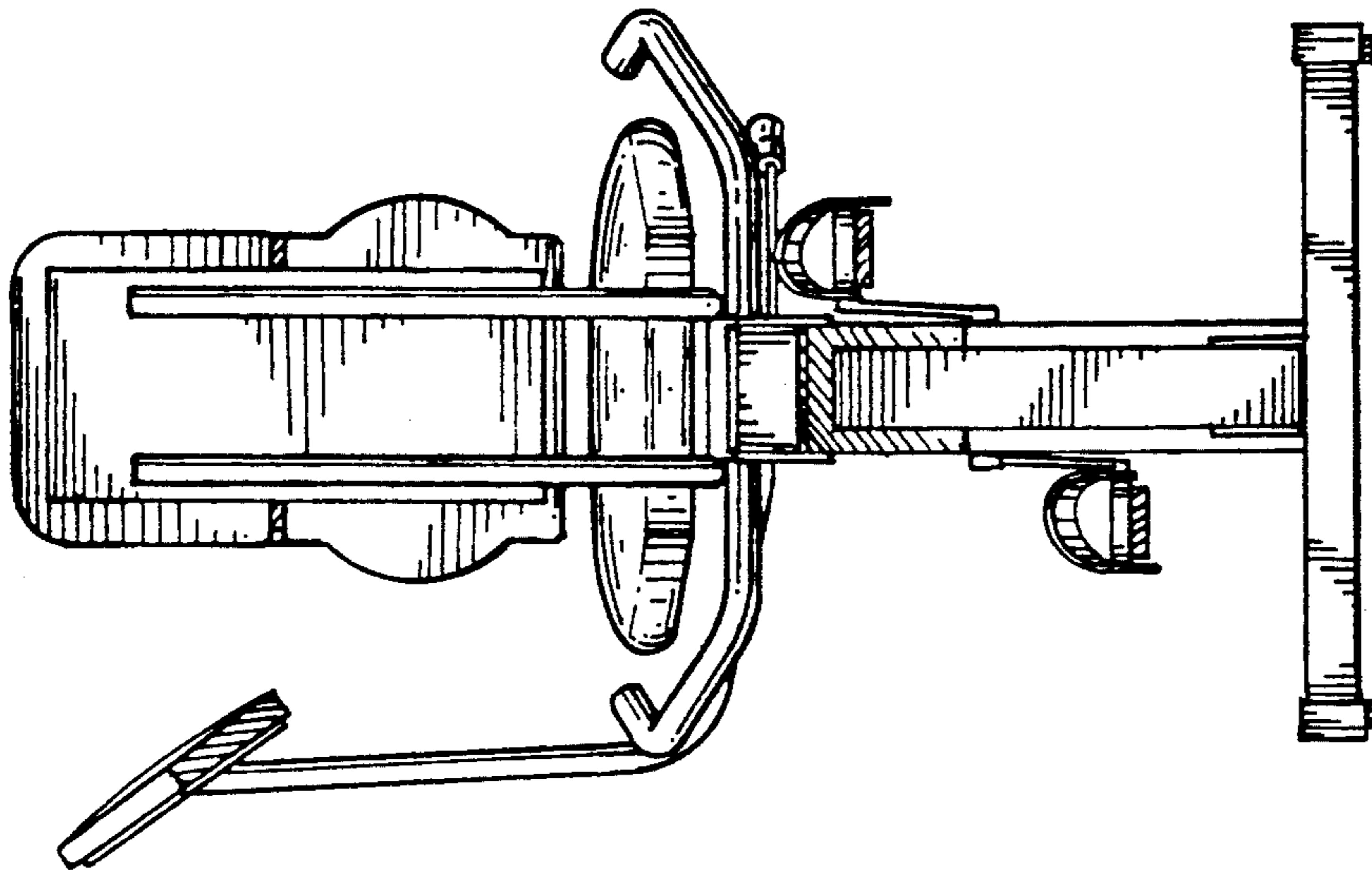
*Fig. 3.*



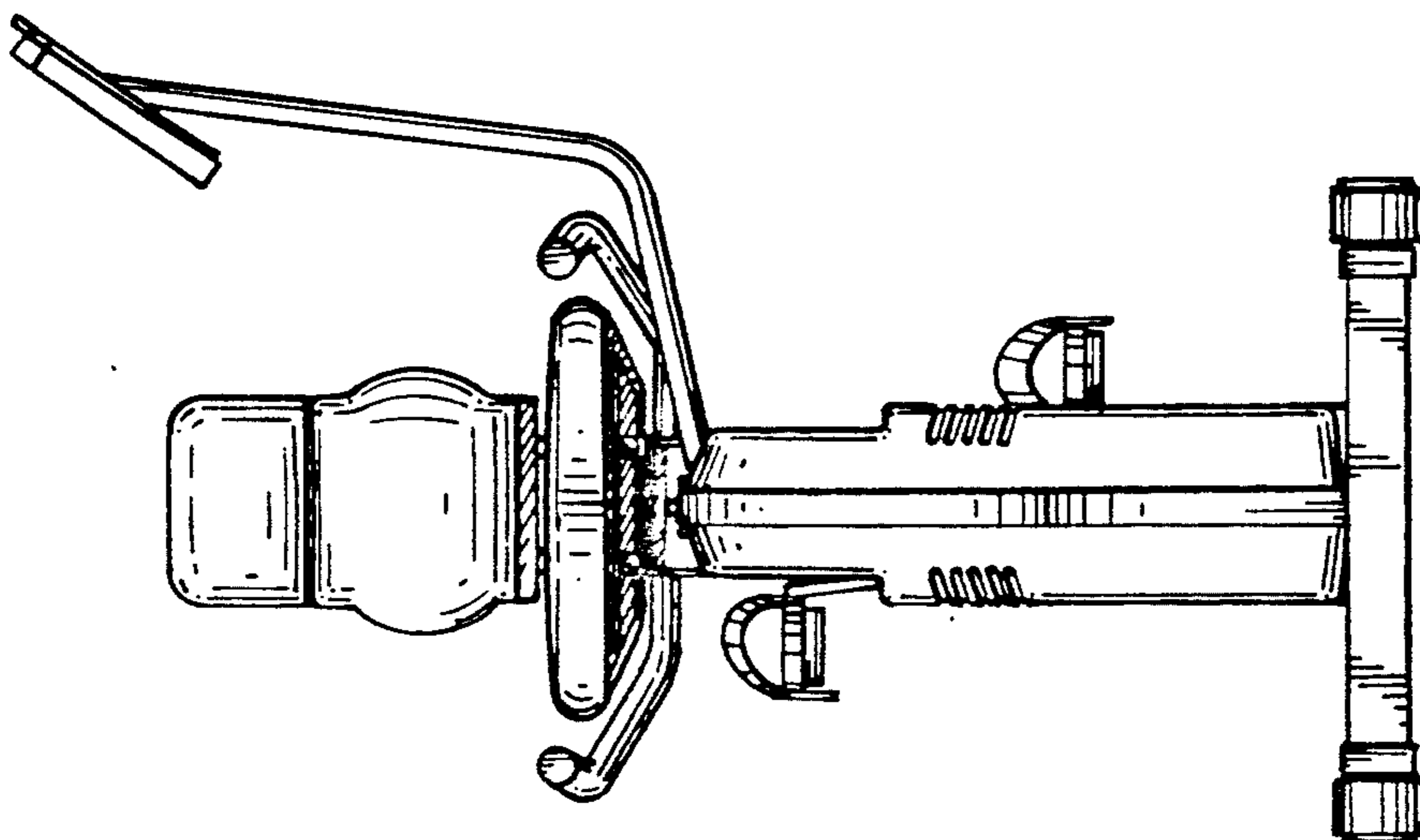
*Fig. 4.*



*Fig. 5.*



*Fig. 7.*



*Fig. 6.*