



US00D347037S

**United States Patent** [19]  
**Galloway**

[11] **Patent Number: Des. 347,037**  
[45] **Date of Patent: \*\* May 17, 1994**

[54] **SIMULATIVE TOY VEHICLE**  
[76] **Inventor: F. Dale Galloway, 4059 Camp Springs Dr., Gainesville, Ga. 30507**  
[\*\*] **Term: 14 Years**  
[21] **Appl. No.: 900,107**  
[22] **Filed: Jun. 17, 1992**  
[52] **U.S. Cl. .... D21/128**  
[58] **Field of Search ..... 446/470, 471, 465; D21/128, 134, 73; D12/83**

D. 276,358 11/1984 Murakami ..... D21/128  
5,090,934 2/1992 Quercetti ..... 446/471

*Primary Examiner*—Bernard Ansher  
*Assistant Examiner*—R. Barkai

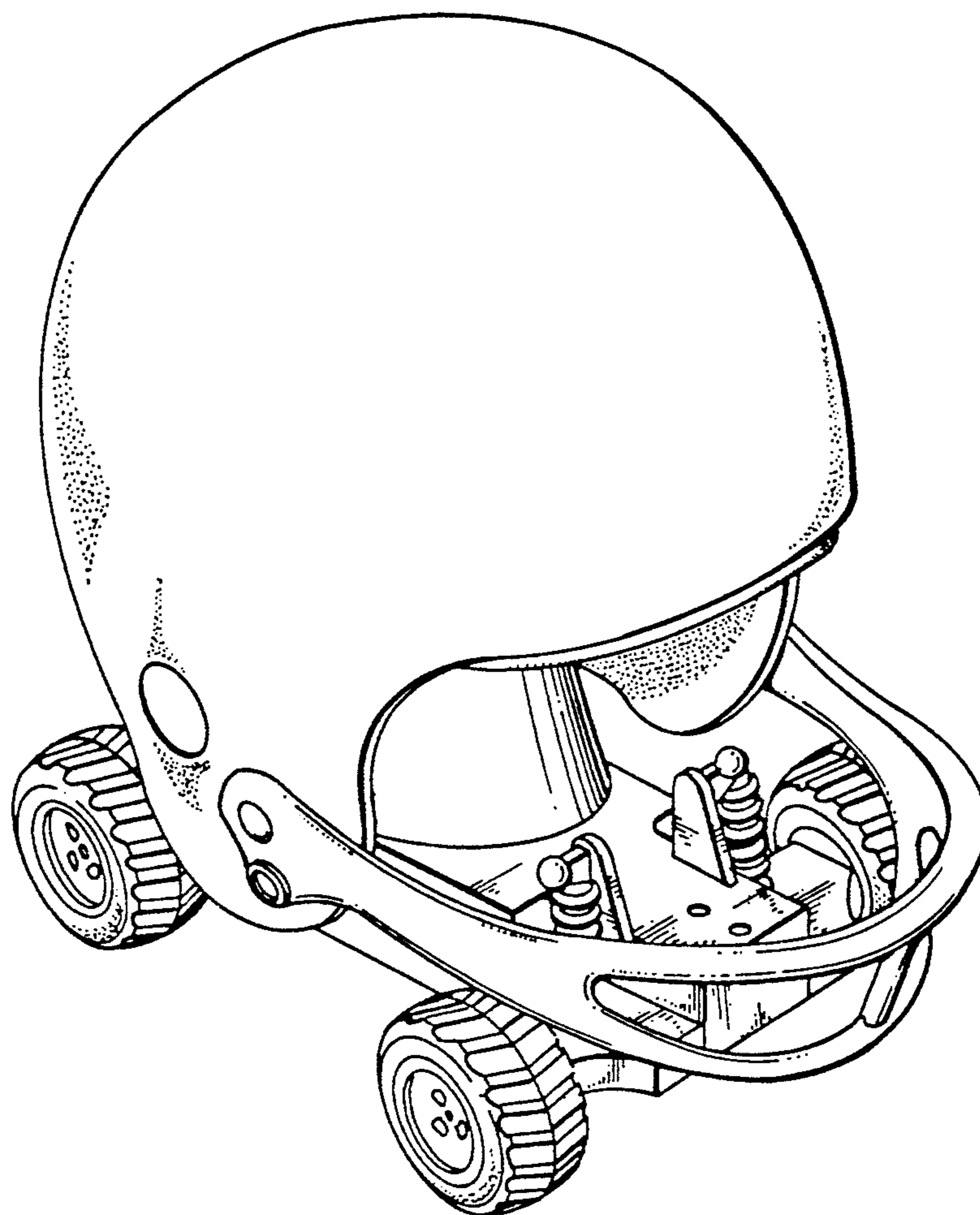
[57] **CLAIM**

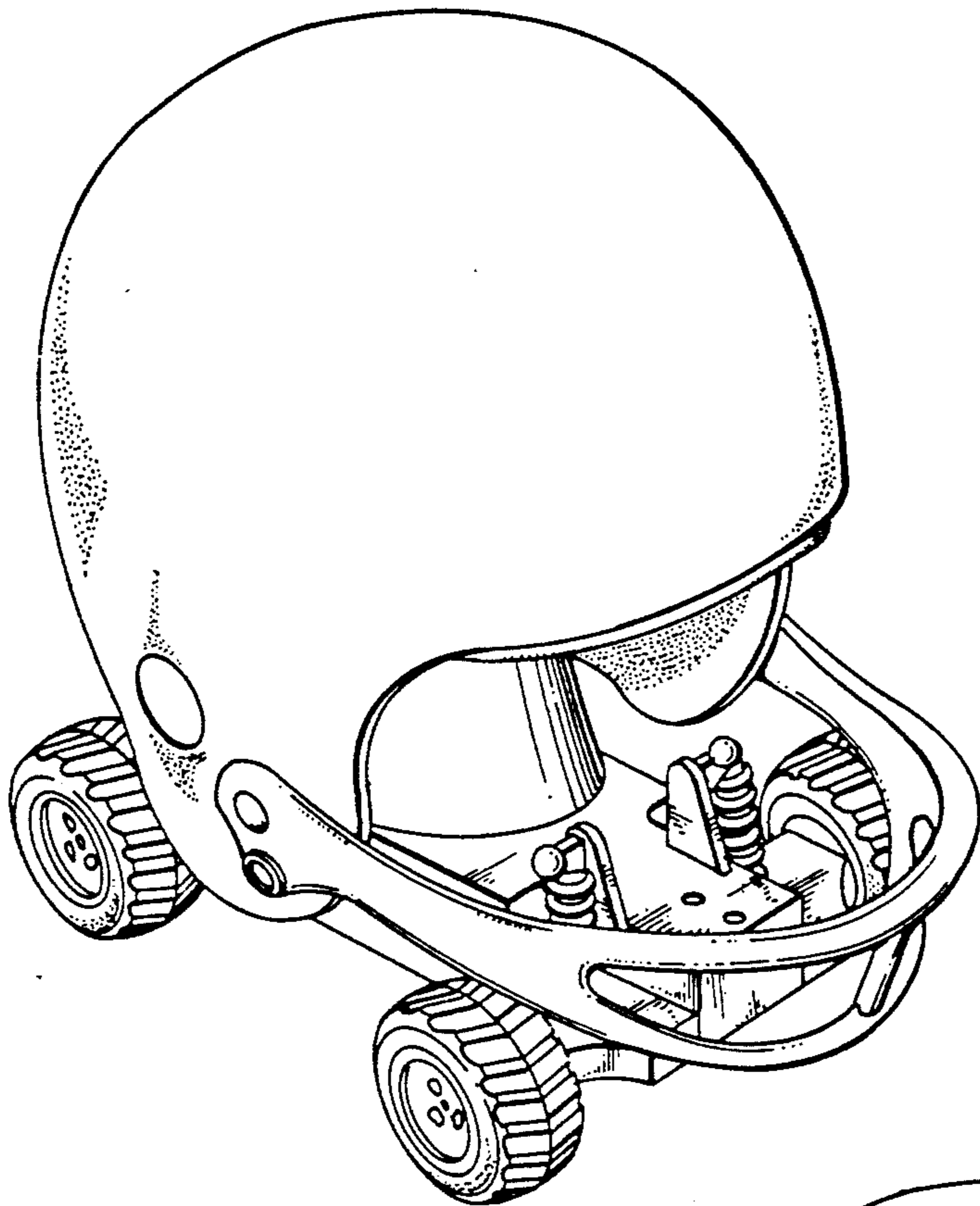
The ornamental design for a simulative toy vehicle, as shown and described.

**DESCRIPTION**

FIG. 1 is a front prospective view of a simulative toy vehicle showing my new design;  
FIG. 2 is a left side elevational view thereof, the opposite side being a mirror image;  
FIG. 3 is a front elevational view thereof;  
FIG. 4 is a rear elevational view thereof;  
FIG. 5 is a top plan view thereof; and,  
FIG. 6 is a bottom plan view thereof.

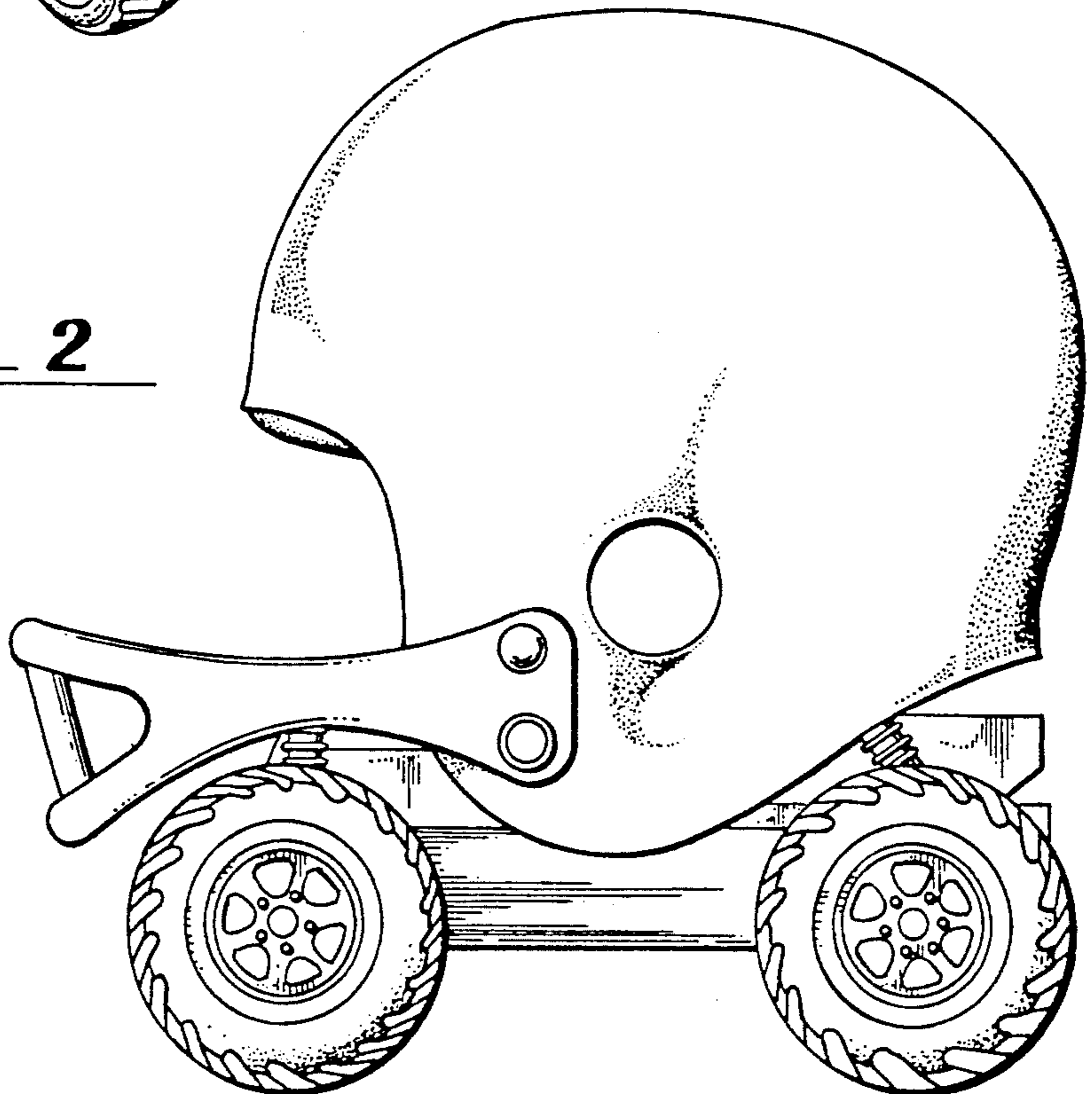
[56] **References Cited**  
**U.S. PATENT DOCUMENTS**  
D. 213,791 4/1969 Daniel ..... D12/83  
D. 231,911 6/1974 Baker ..... D12/83  
D. 276,357 11/1984 Murakami ..... D21/128

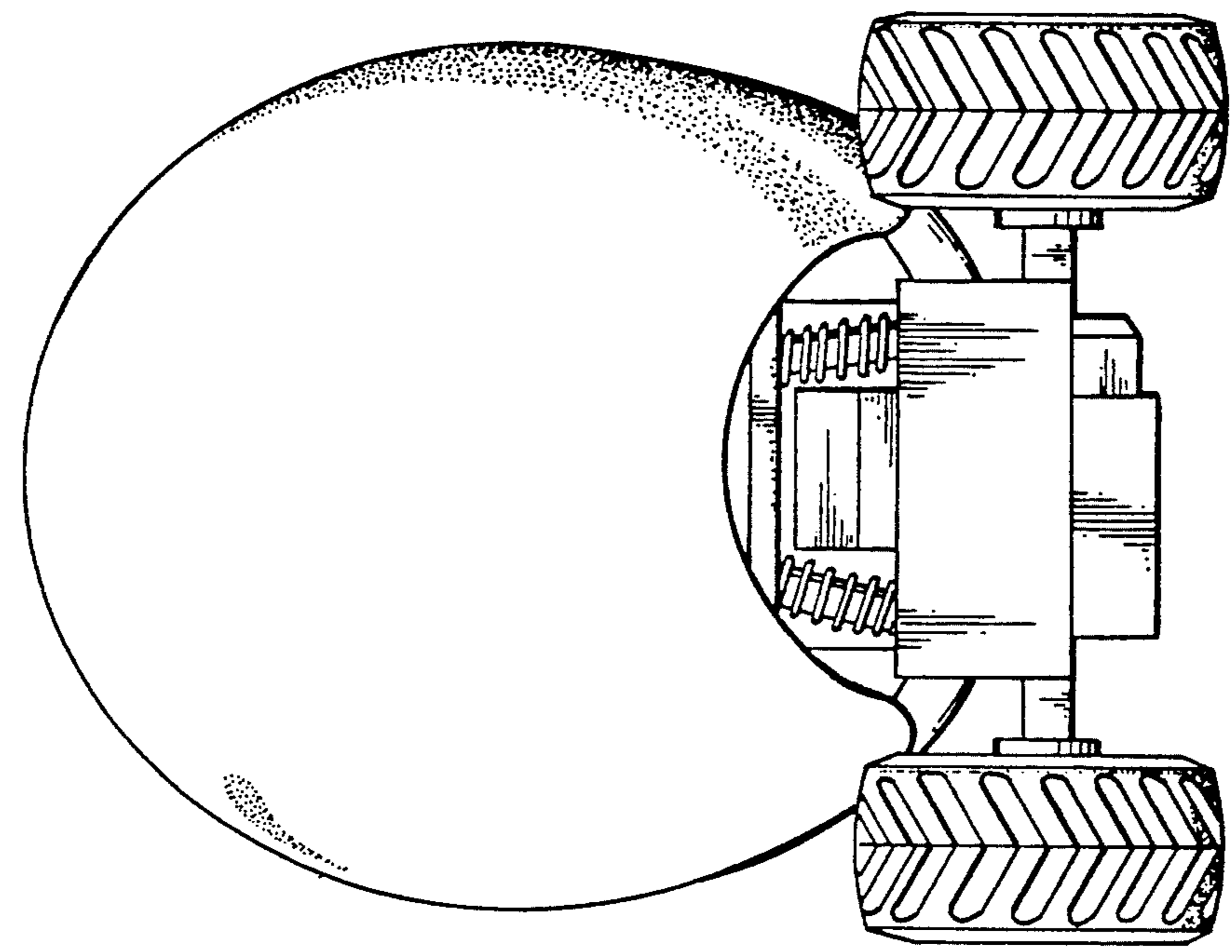




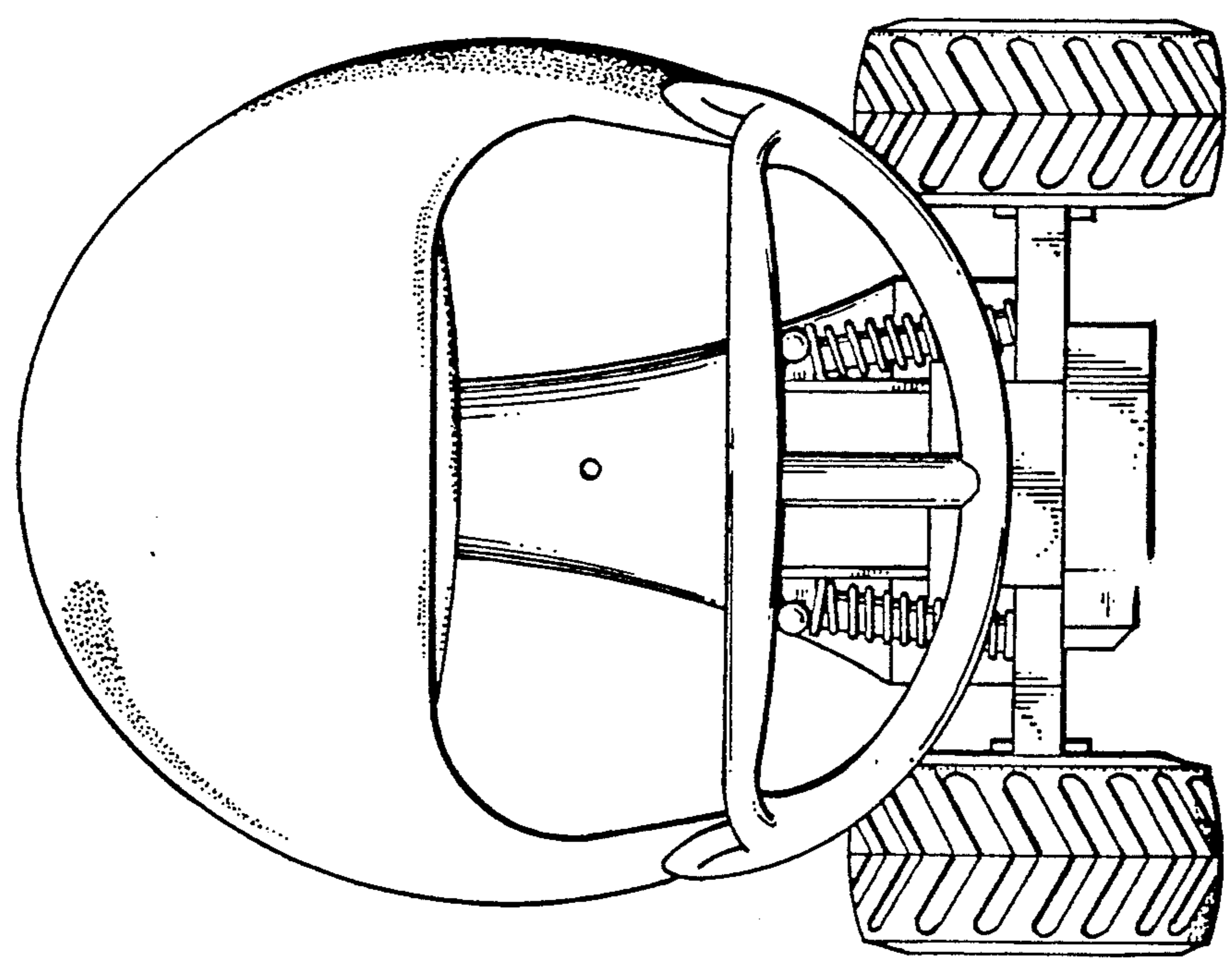
**Fig. 1**

**Fig. 2**

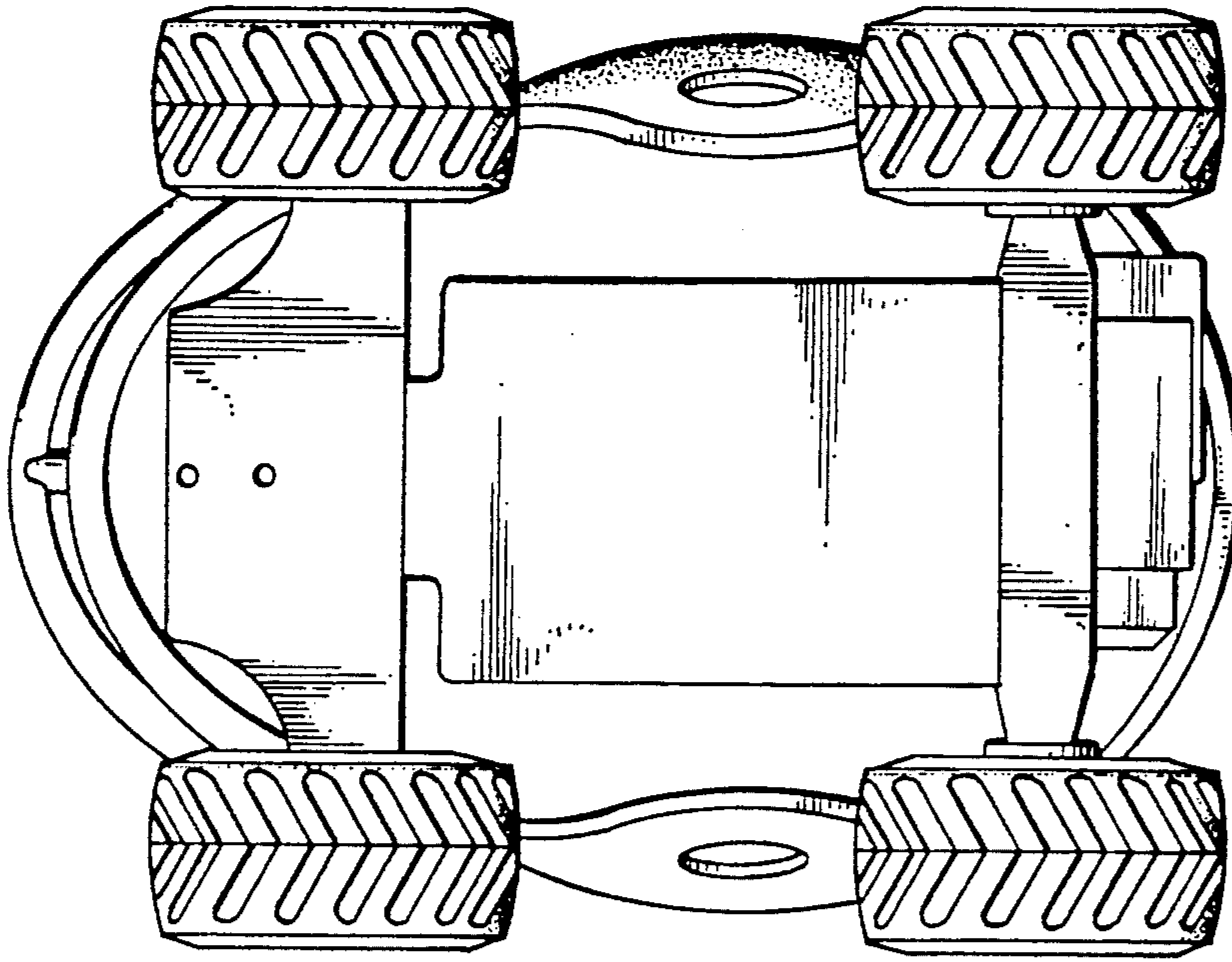




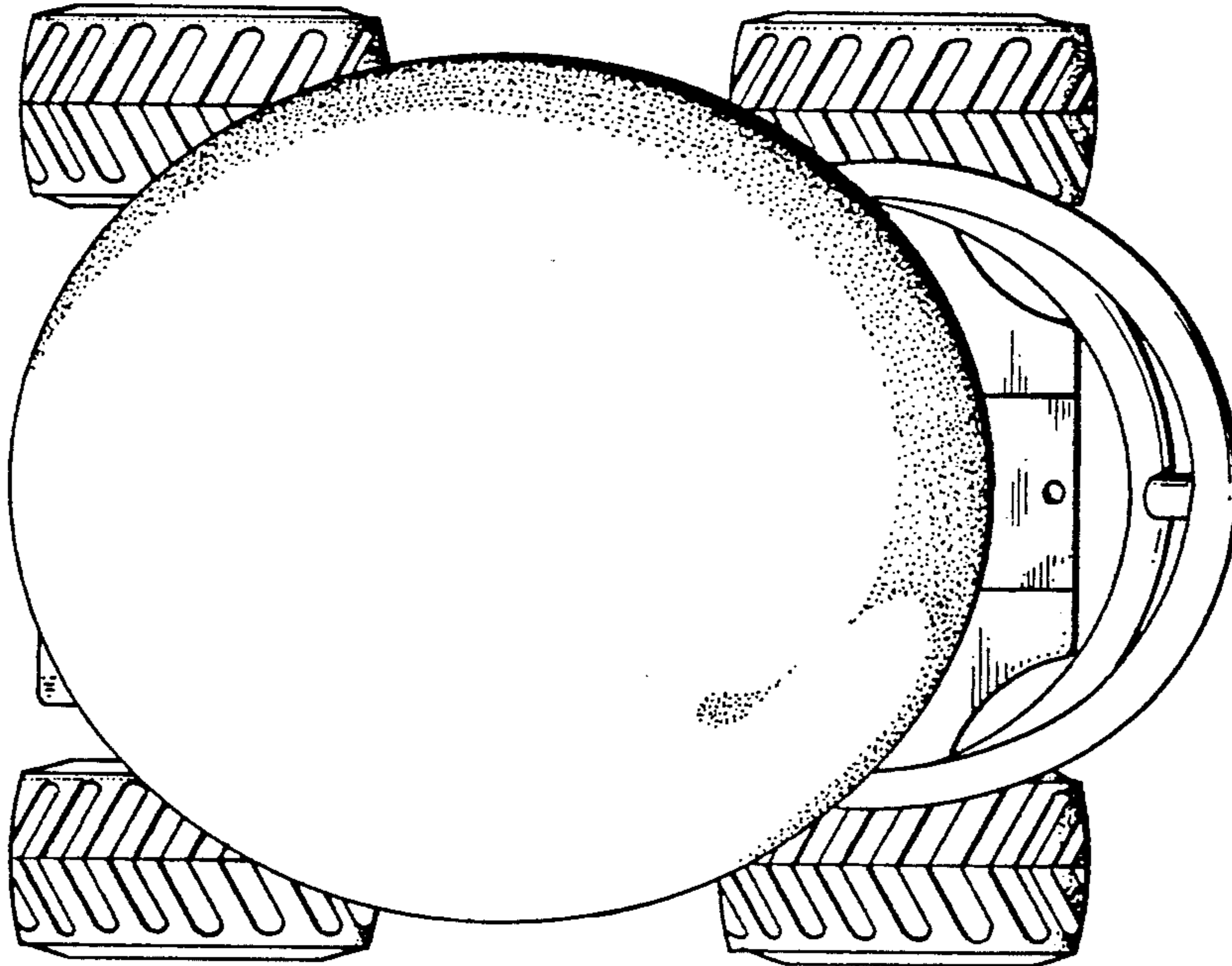
**Fig. 4**



**Fig. 3**



**Fig. 6**



**Fig. 5**