



US00D347034S

United States Patent [19]

[11] Patent Number: **Des. 347,034**

Huystee

[45] Date of Patent: **** May 17, 1994**

[54] TOY VIDEO CAMERA

[75] Inventor: **Maarten V. Huystee, Hudson, Ohio**

[73] Assignee: **The Little Tikes Company, Hudson, Ohio**

[**] Term: **14 Years**

[21] Appl. No.: **923,177**

[22] Filed: **Aug. 3, 1992**

[52] U.S. Cl. **D21/110; D16/202**

[58] Field of Search **358/229, 906; 354/82, 354/288; 446/408; D21/110; D16/202, 203, 204, 205**

[56] References Cited

U.S. PATENT DOCUMENTS

D. 198,061	4/1964	Crapsey	D16/205
D. 303,978	10/1989	Phinney	D21/110
D. 315,357	3/1991	Fukutomi	D16/202
D. 332,473	1/1993	Chan	D21/110
4,819,016	4/1989	Leonard	354/82
4,928,179	5/1990	Takahashi	358/229

OTHER PUBLICATIONS

P. 15, Video Camera, Tomy America Inc., 1050 West Central Ave., Bea, Calif. 92621. Publication date 1991.
P. 14, Video Camera, Childcraft, Inc., P.O. Box 29149, Mission, KS 66201-9149. Publication date 1991.

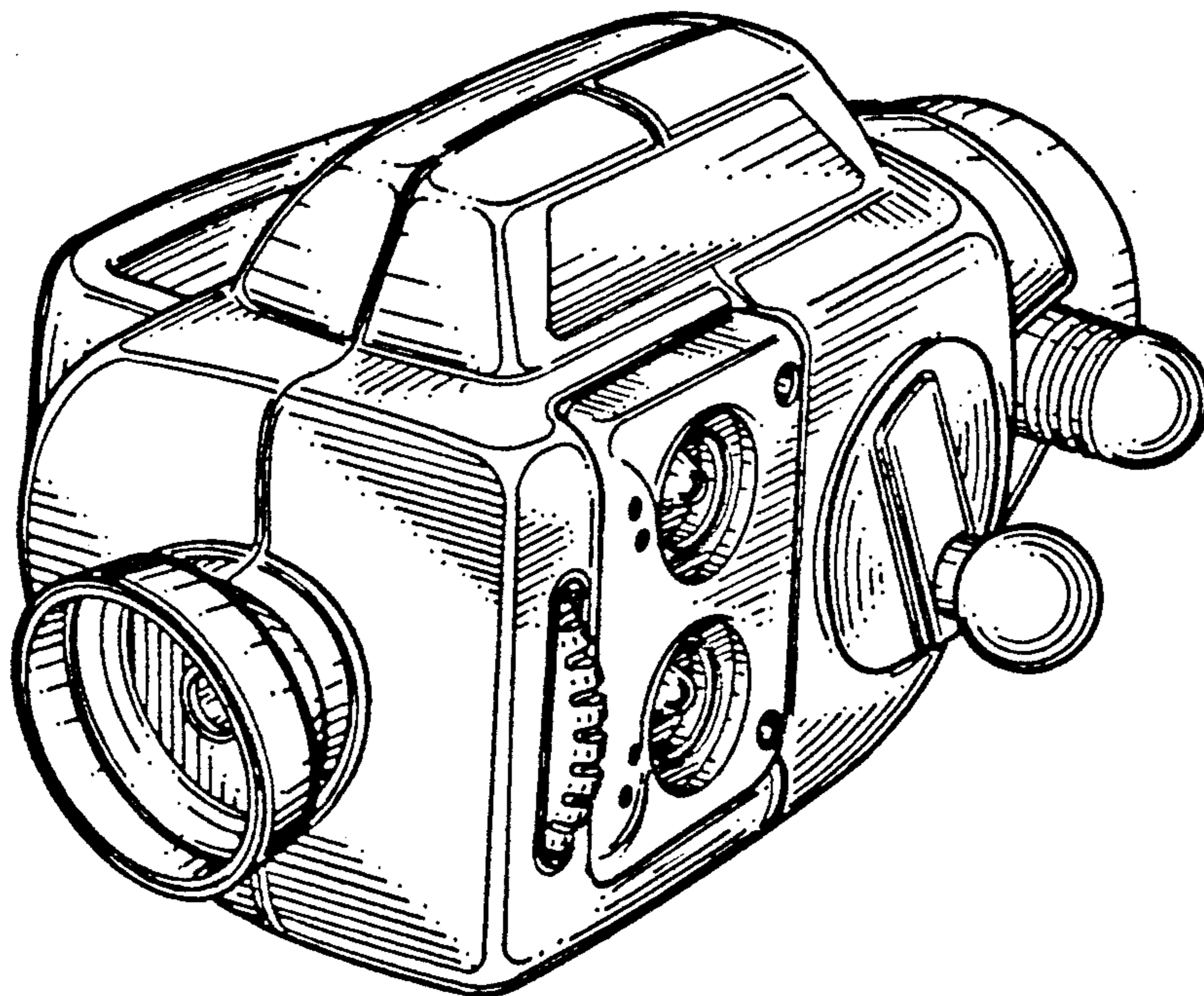
Primary Examiner—Bernard Ansher
Assistant Examiner—R. Barkai
Attorney, Agent, or Firm—Richard B. O'Planick; Lisa B. Riedesel

[57] CLAIM

The ornamental design for a toy video camera, as shown and described.

DESCRIPTION

FIG. 1 is a top left front perspective view of a toy video camera showing my new design;
FIG. 2 is a front plan view thereof;
FIG. 3 is a right side elevational view thereof;
FIG. 4 is a left side elevational view thereof;
FIG. 5 is a rear elevational view thereof;
FIG. 6 is a top elevational view thereof; and,
FIG. 7 is a bottom plan view thereof.



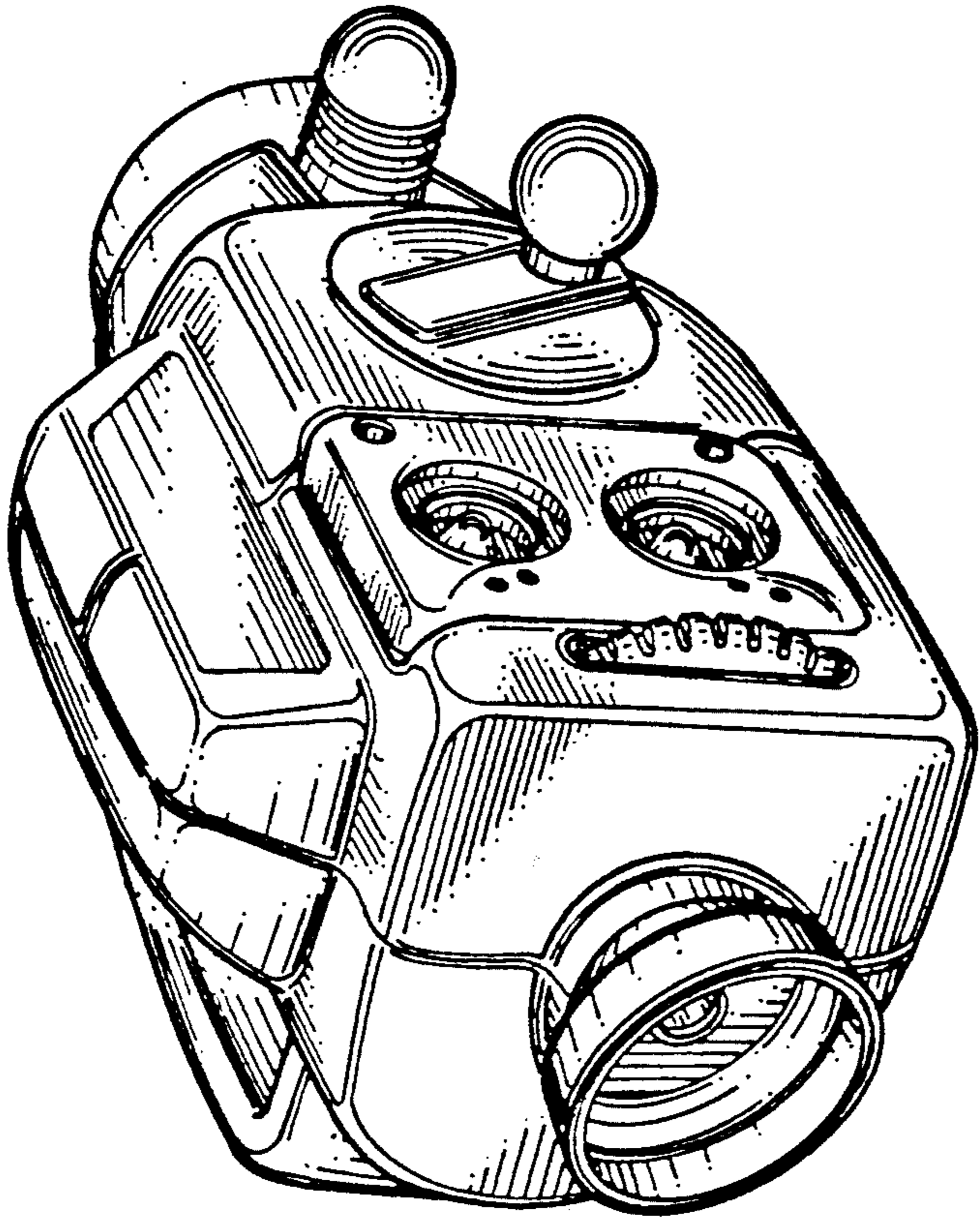


FIG. 1

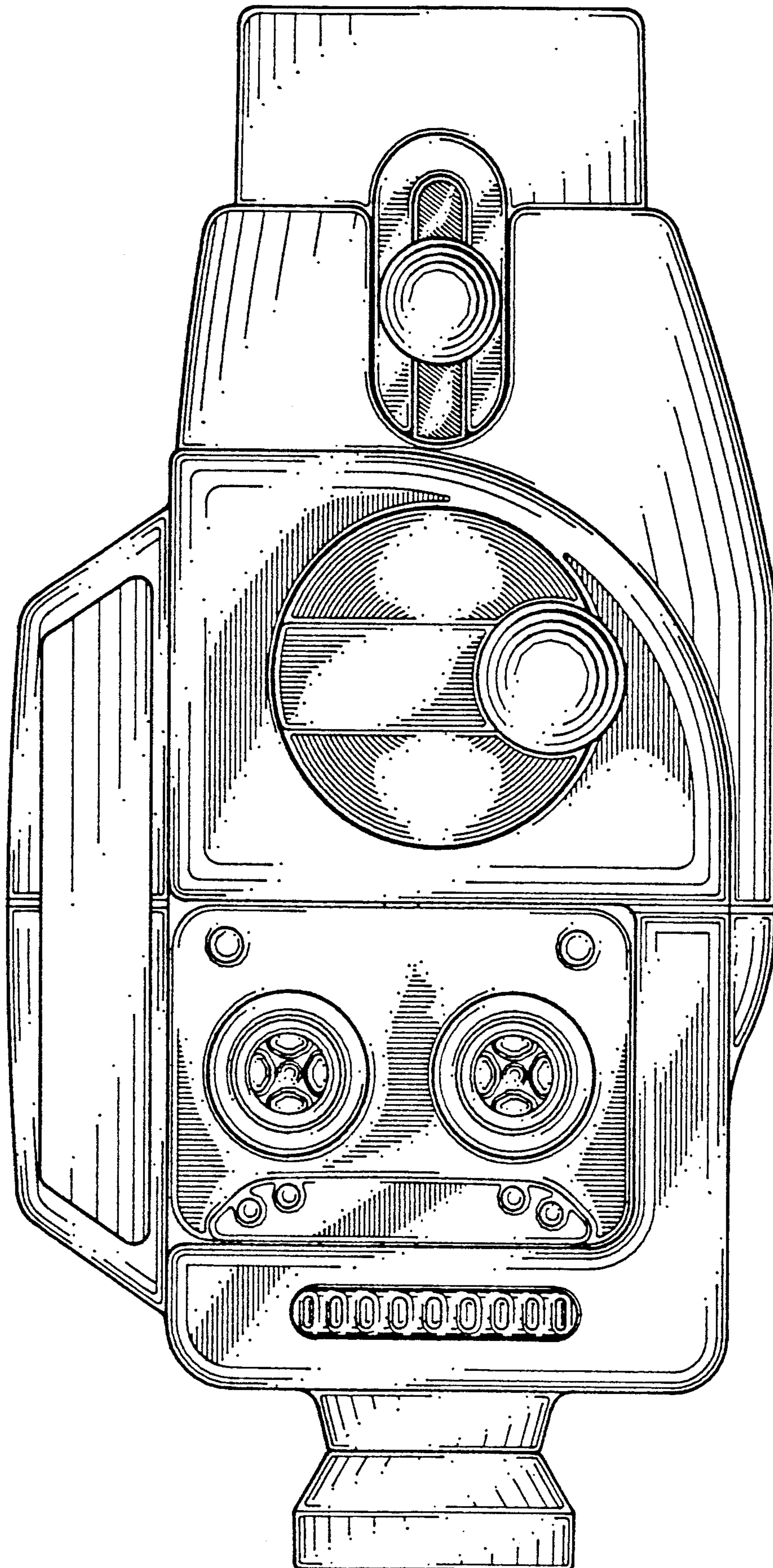


FIG. 2

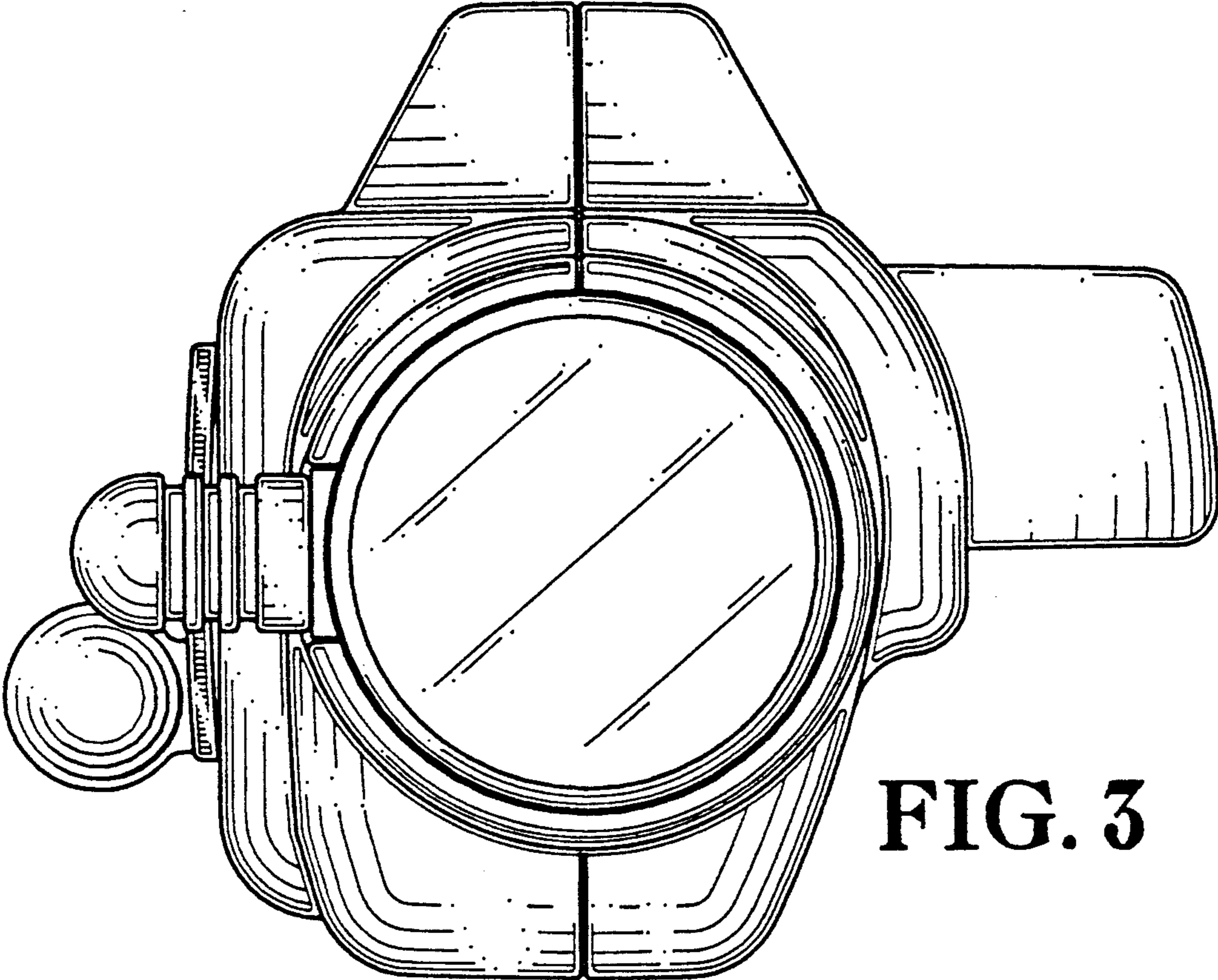


FIG. 3

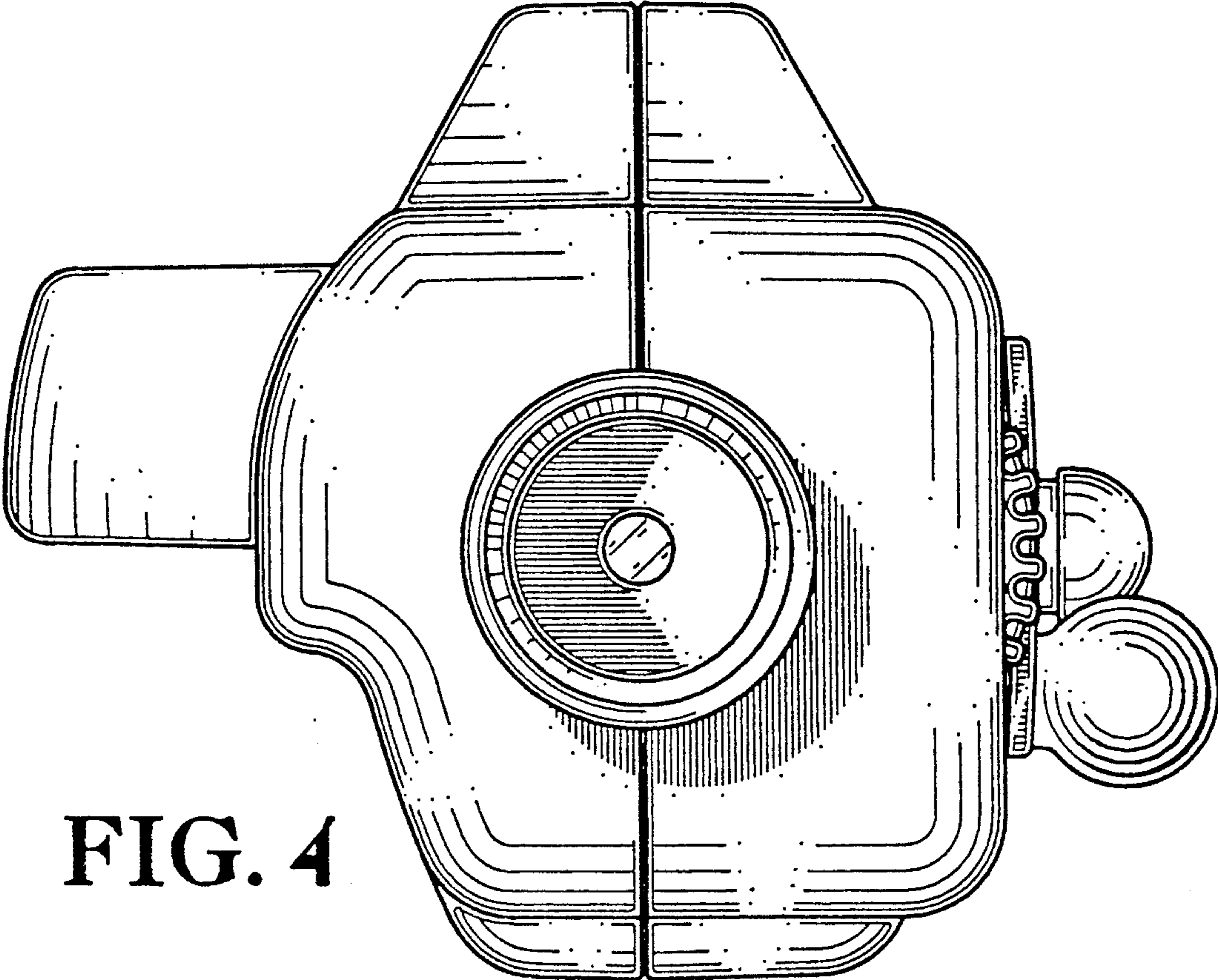


FIG. 4

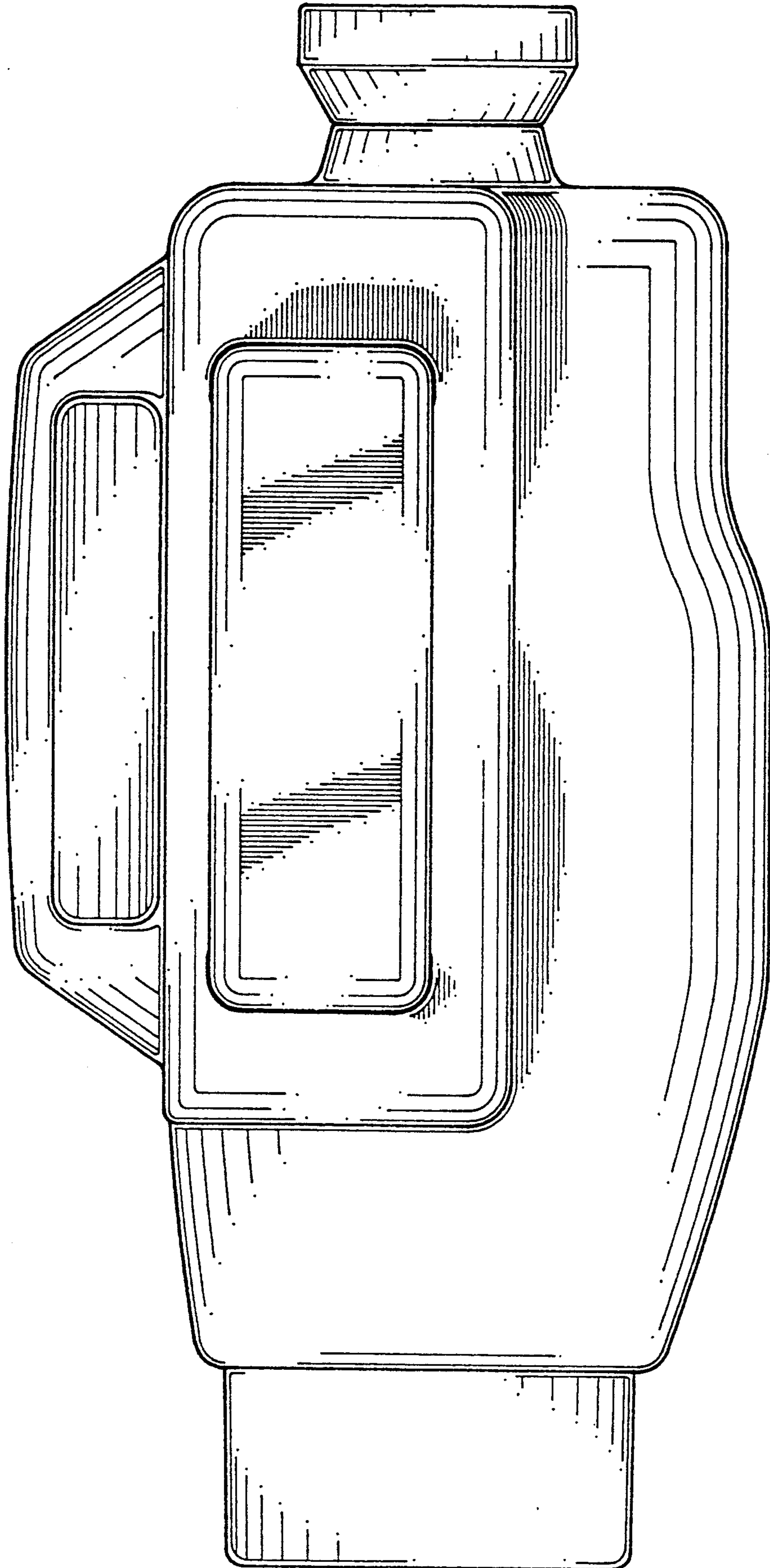


FIG. 5

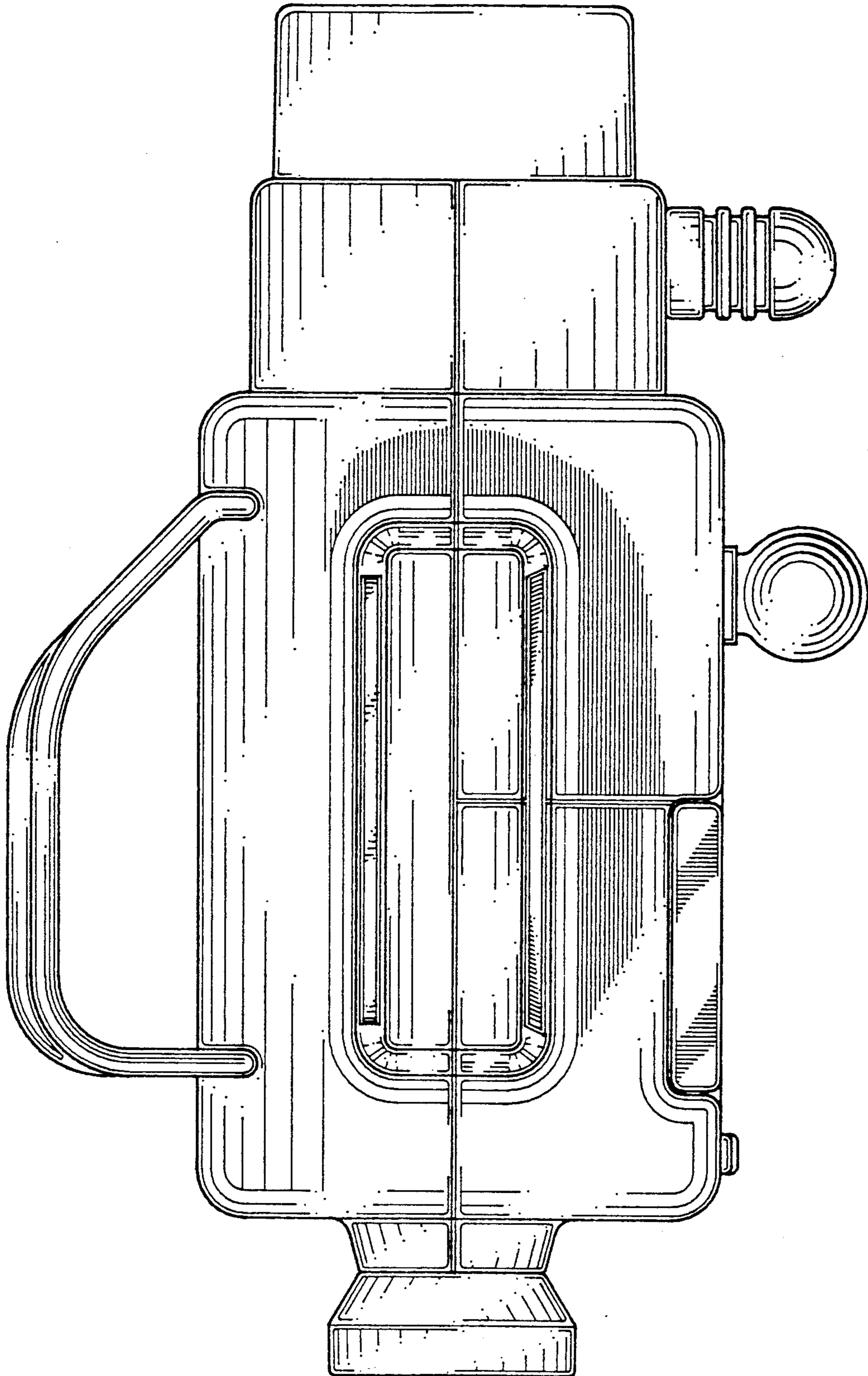


FIG. 6

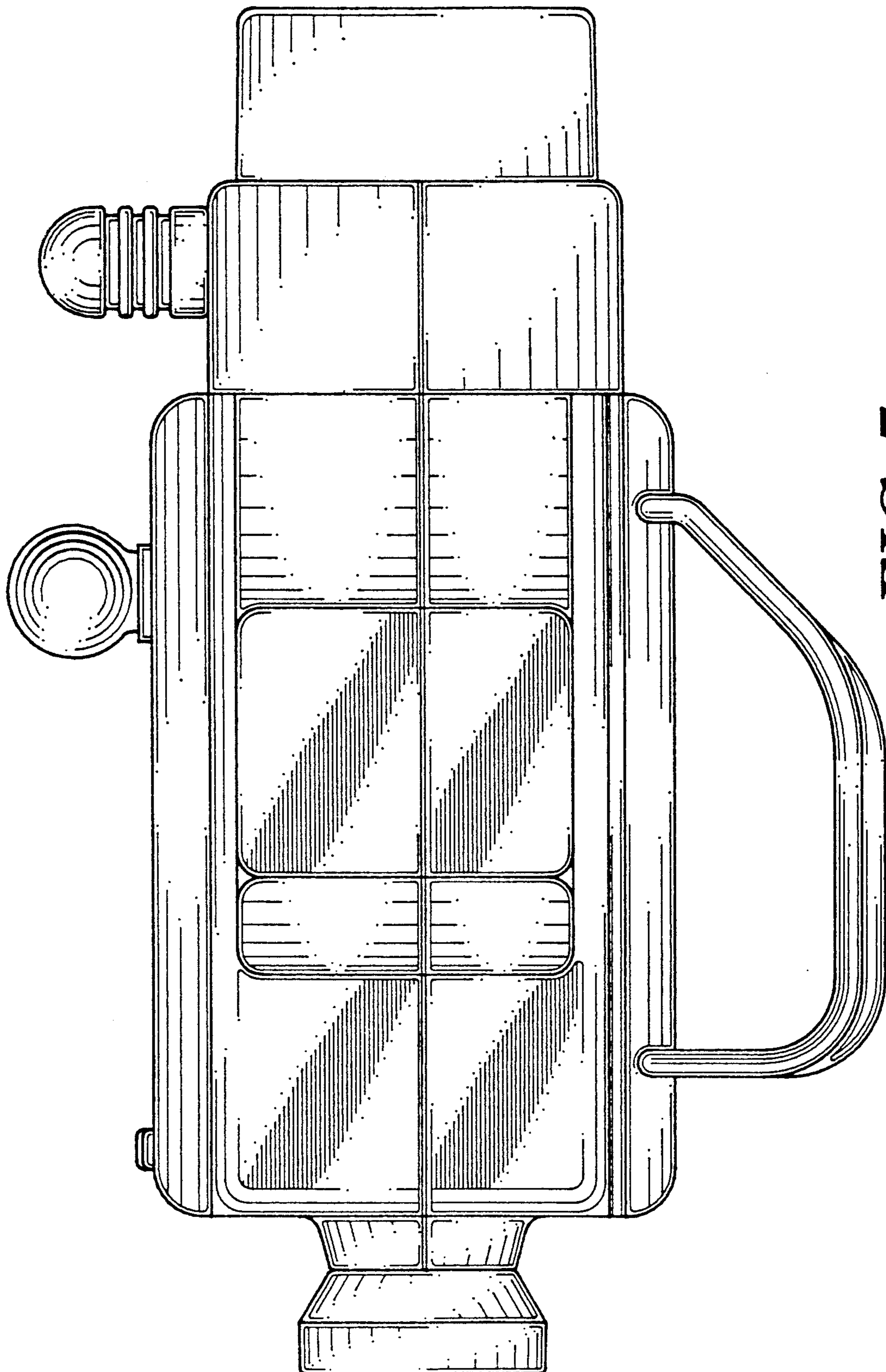


FIG. 7

UNITED STATES PATENT AND TRADEMARK OFFICE
CERTIFICATE OF CORRECTION

PATENT NO. : Des. 347,034
DATED : May 17, 1994
INVENTOR(S) : Maarten Van Huystee

It is certified that error appears in the above-identified patent and that said Letters Patent is hereby corrected as shown below:

On the title page, item [75], "v" should read --Van--.

Signed and Sealed this
Twenty-third Day of August, 1994

Attest:



BRUCE LEHMAN

Attesting Officer

Commissioner of Patents and Trademarks