



US00D347027S

United States Patent [19]

Phillips

[11] Patent Number: **Des. 347,027**

[45] Date of Patent: **** May 17, 1994**

[54] **VIDEO GAME PISTOL HOLDER**

[76] Inventor: **Ronald K. Phillips**, 469-A Garnet Mine Rd., Boothwyn, Pa. 19061-2028

[**] Term: **14 Years**

[21] Appl. No.: **591,859**

[22] Filed: **Oct. 2, 1990**

[52] U.S. Cl. **D21/48**

[58] Field of Search 273/310, 311, 312, 348, 273/349, 148 R, 148 B, DIG. 28; 124/83, 84, 41.1, 80; 446/473, 401; D21/2, 5, 145, 146, 147

[56] **References Cited**

U.S. PATENT DOCUMENTS

- D. 171,256 1/1954 Hopkins D21/146
- D. 276,194 11/1984 Schuster .
- D. 277,155 1/1985 Edson .
- D. 279,845 7/1985 Holliman .
- D. 283,569 4/1986 Dean .
- D. 303,130 8/1989 Noble D21/146
- D. 304,049 10/1989 Lee D21/147
- 973,488 10/1910 Eaves 273/402 X
- 3,898,747 8/1975 Marshall 273/311 X

- 3,911,598 10/1975 Mohon 273/310 X
- 4,117,282 9/1978 Ieda 273/310 X
- 4,619,616 10/1986 Clarke 273/310 X
- 4,811,955 3/1989 De Bernardini 273/310

FOREIGN PATENT DOCUMENTS

- 1132355 3/1957 France .
- 418111 2/1967 Switzerland .

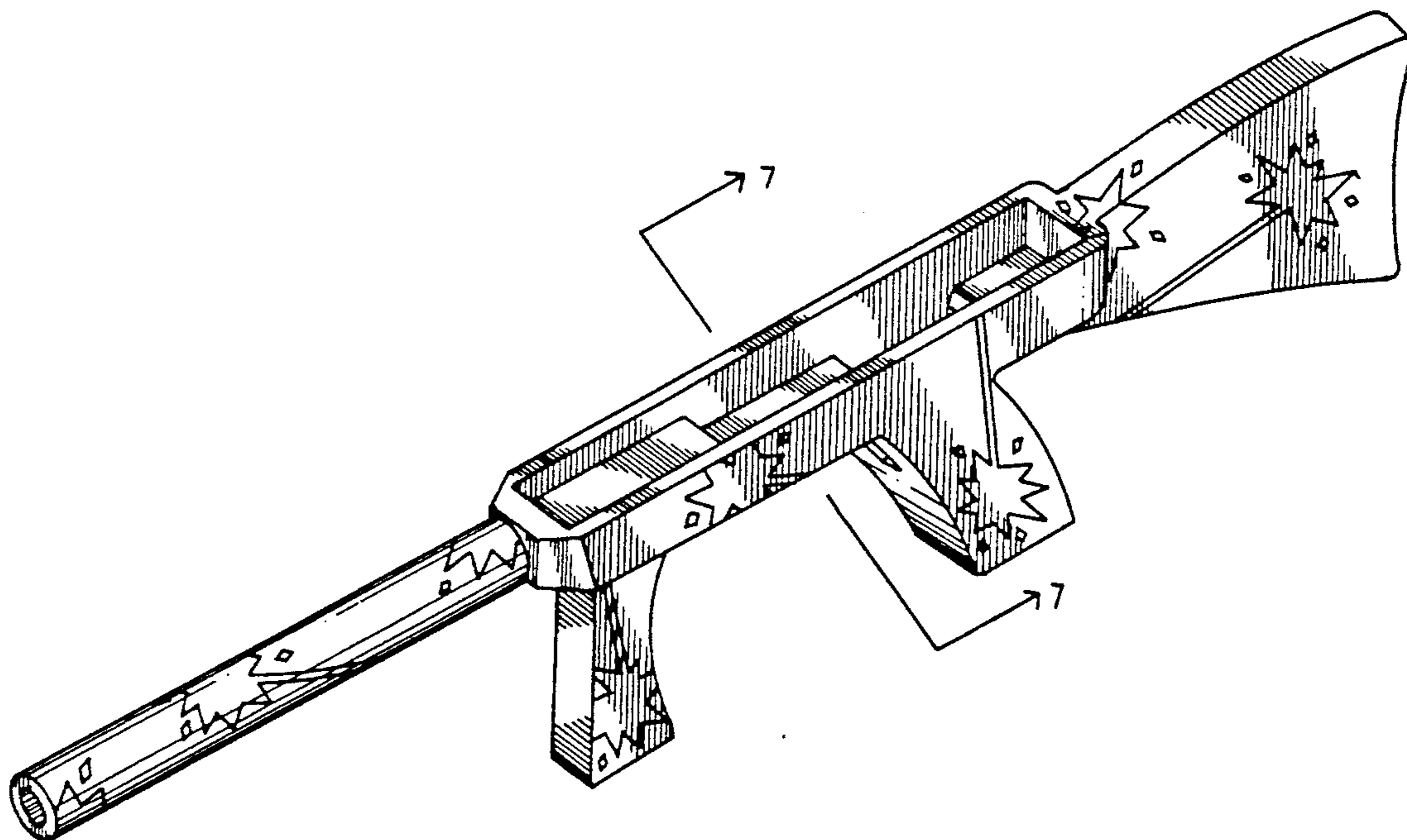
Primary Examiner—Prabhakar G. Deshmukh
Attorney, Agent, or Firm—Terry M. Gernstein

[57] **CLAIM**

The ornamental design for a video game pistol holder, as shown and described.

DESCRIPTION

FIG. 1 is a perspective view of a video game pistol holder showing my new design;
 FIG. 2 is a front end elevational view thereof;
 FIG. 3 is a rear end elevational view thereof;
 FIG. 4 is a right side elevational view thereof, the left side elevational view being a mirror image thereof;
 FIG. 5 is a top plan view thereof;
 FIG. 6 is a bottom plan view thereof; and,
 FIG. 7 is a sectional view taken along line 7—7 of FIG. 1, partially cutaway for the sake of convenience.



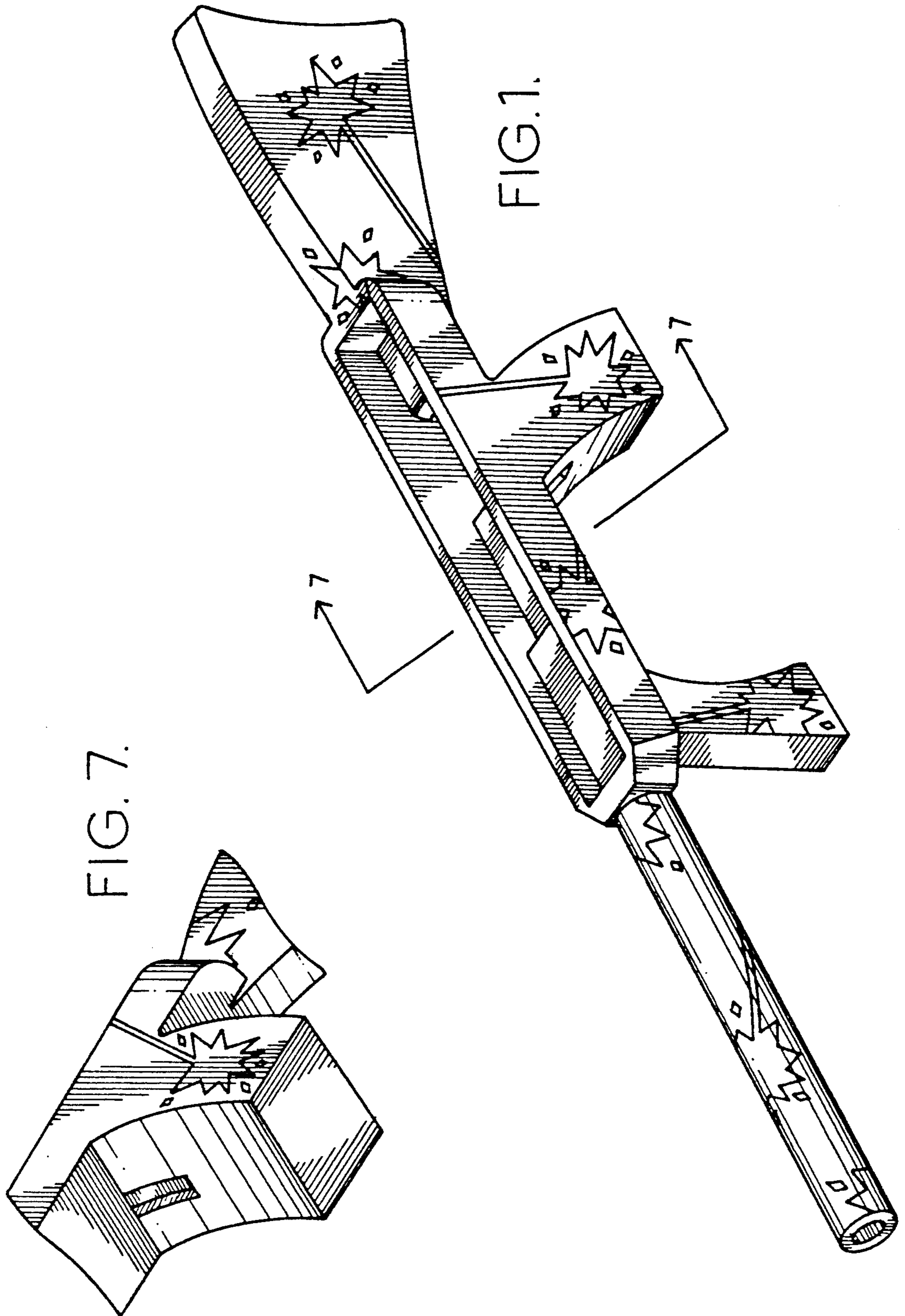


FIG. 7.

FIG. 1.

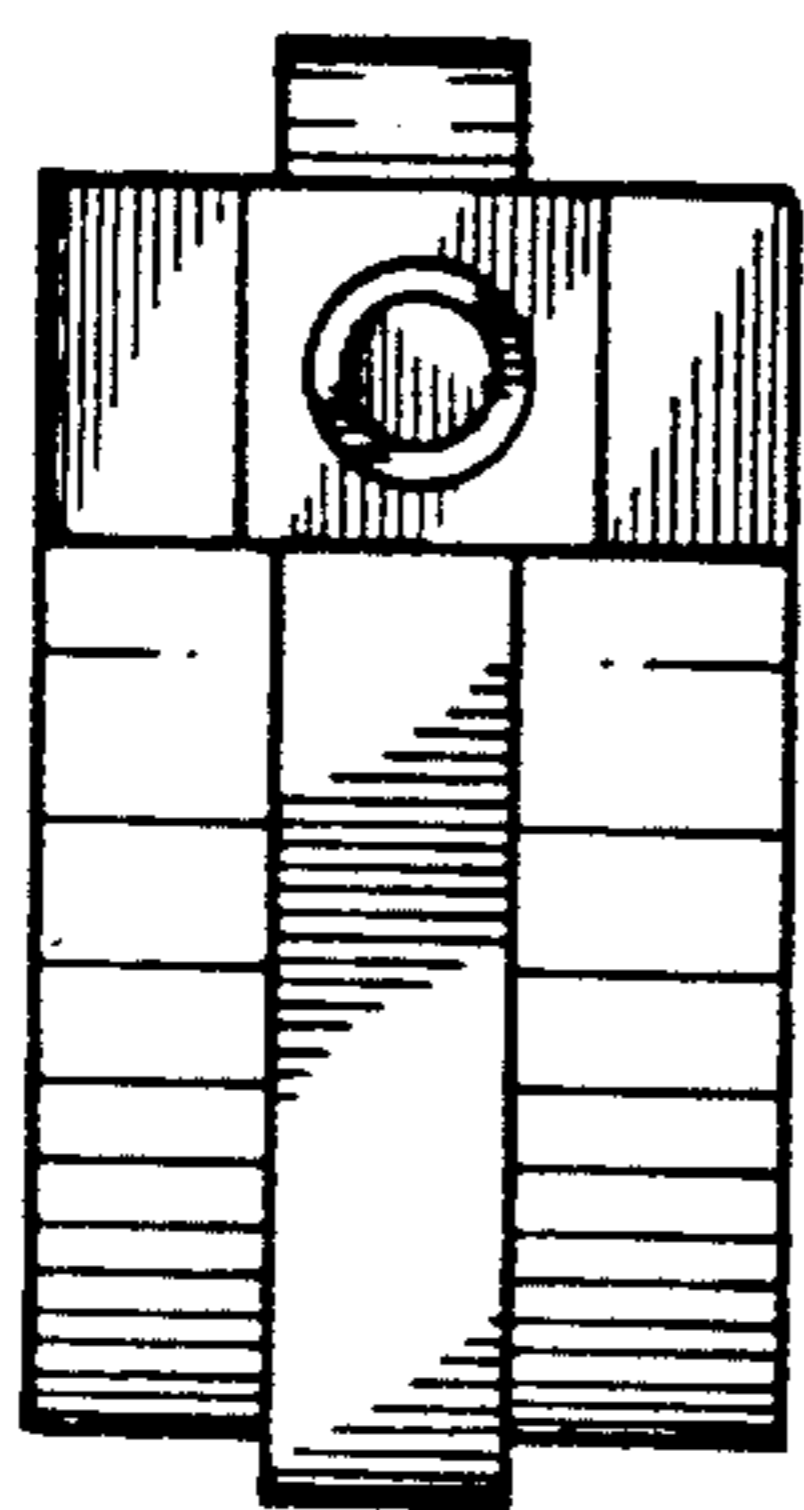


FIG. 2.

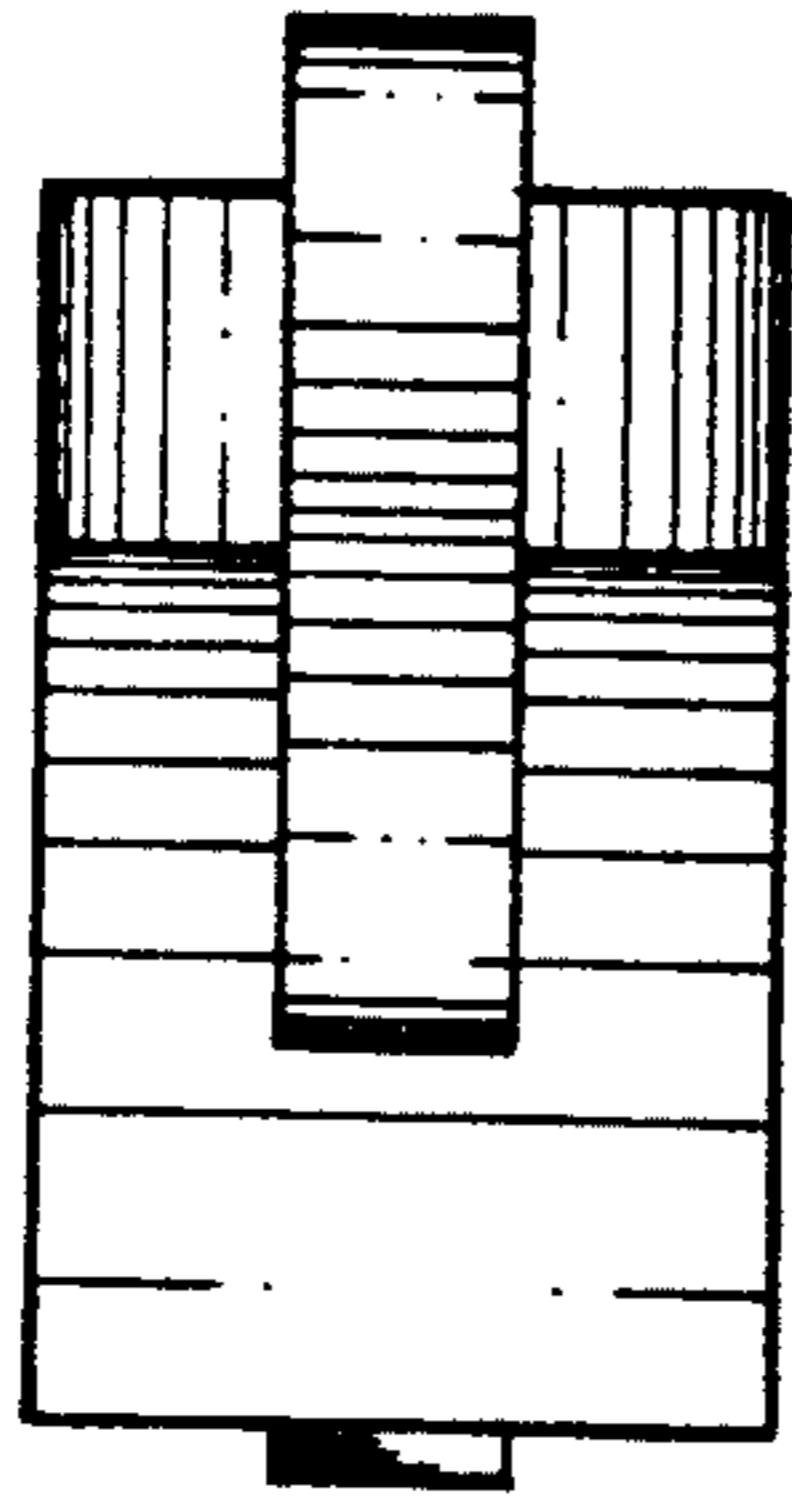
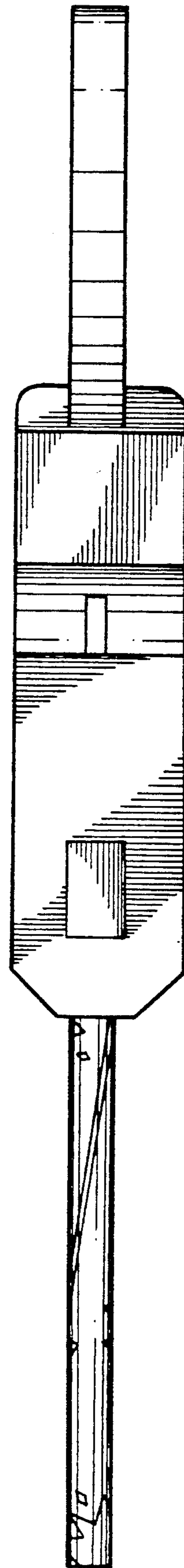


FIG. 3.

FIG. 6.



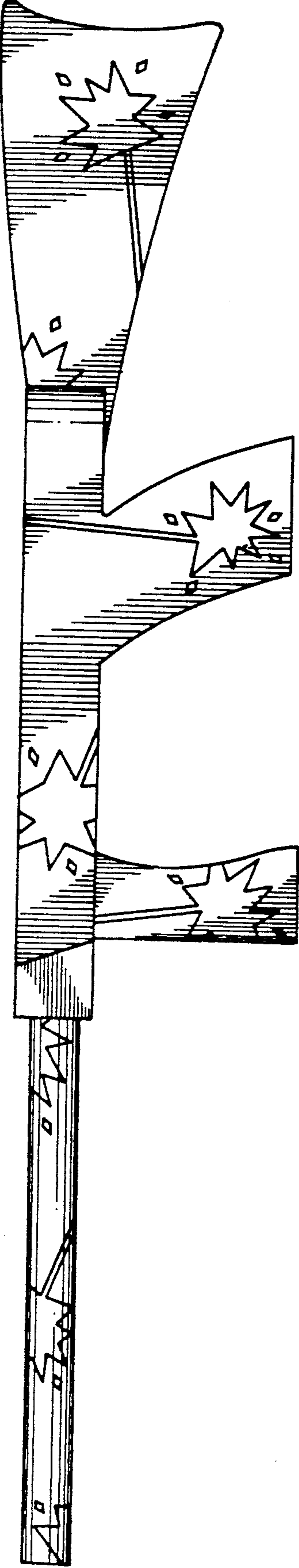


FIG. 4.

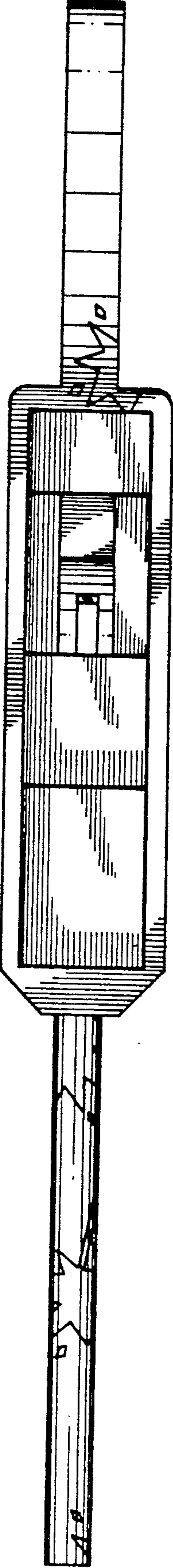


FIG. 5.