



US00D347022S

United States Patent [19] Schattner

[11] Patent Number: **Des. 347,022**
[45] Date of Patent: **** May 17, 1994**

[54] **BINDER**

[75] Inventor: **Robert L. Schattner, Cherry Hill, N.J.**

[73] Assignee: **Omnimed, Inc., Maple Shade, N.J.**

[**] Term: **14 Years**

[21] Appl. No.: **210**

[22] Filed: **Oct. 6, 1992**

[52] U.S. Cl. **D19/27**

[58] Field of Search **281/31, 33, 29, 15.1, 281/21.1, 35, 45; 402/75, 76, 56; D19/26, 27**

[56] **References Cited**

U.S. PATENT DOCUMENTS

D. 33,908	1/1901	Miller	D19/26
D. 182,105	2/1958	Chese	D19/27
D. 193,703	10/1962	Price	D19/27
D. 196,099	8/1963	Sibley	D19/27
D. 201,663	7/1965	Bifano	D19/27

Primary Examiner—Wallace R. Burke

Assistant Examiner—Pamela Burgess

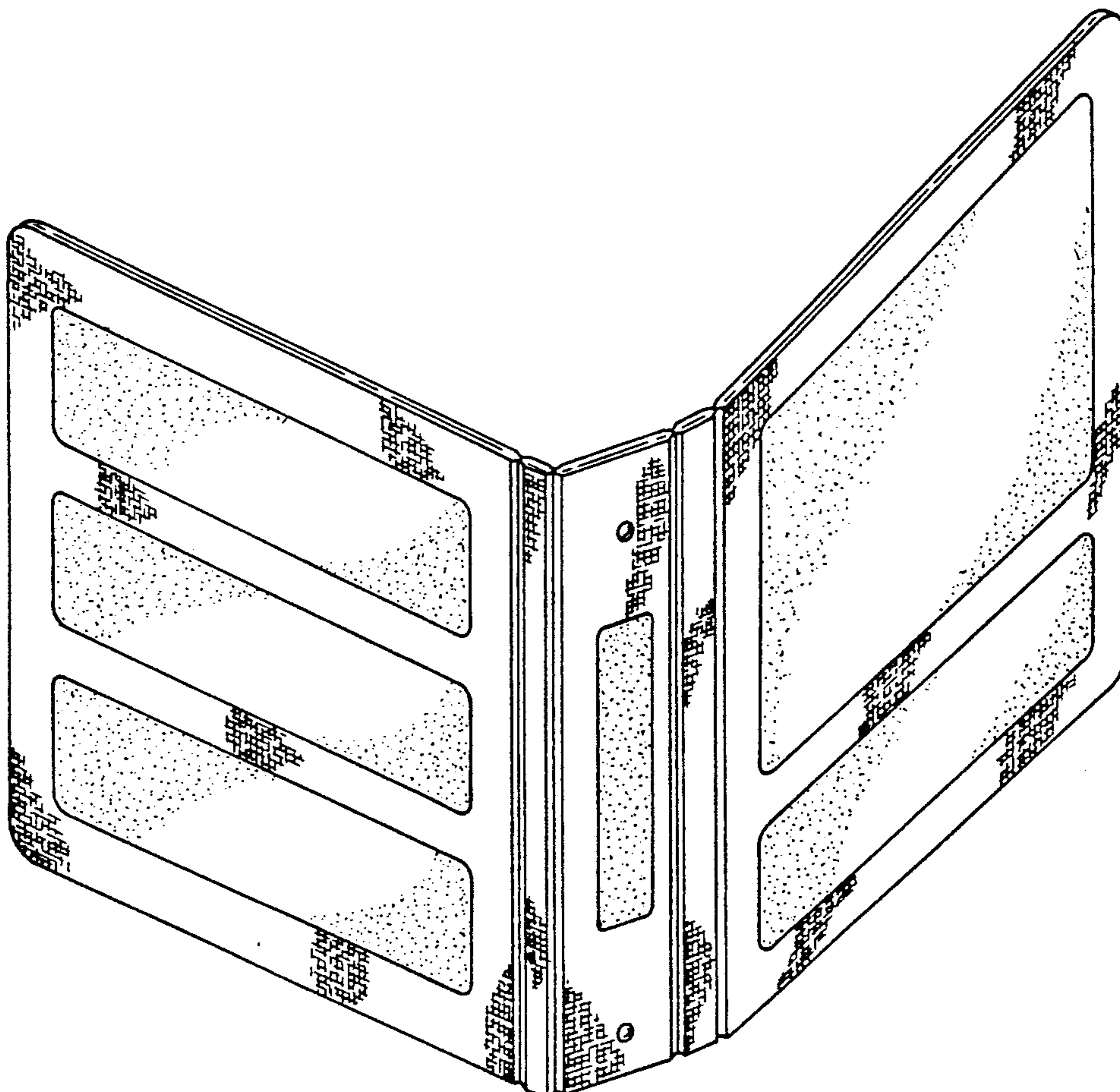
Attorney, Agent, or Firm—Wigman, Cohen, Leitner & Myers

[57] **CLAIM**

The ornamental design for a binder, as shown and described.

DESCRIPTION

FIG. 1 is a front perspective view of a binder showing my new design in a closed position;
 FIG. 2 is a top plan view thereof, the undisclosed bottom being the same;
 FIG. 3 is a rear perspective view thereof, in a partially opened position;
 FIG. 4 is a reduced scale end elevational view thereof, in a fully opened position, the undisclosed end being the same;
 FIG. 5 is a top plan view thereof in a fully opened position, the undisclosed bottom being the same;
 FIG. 6 is a front perspective view thereof, in a partially opened position;
 FIG. 7 is an enlarged front elevational view of a portion of the spine element thereof, in a fully opened position; and,
 FIG. 8 is a bottom plan view of FIG. 7.



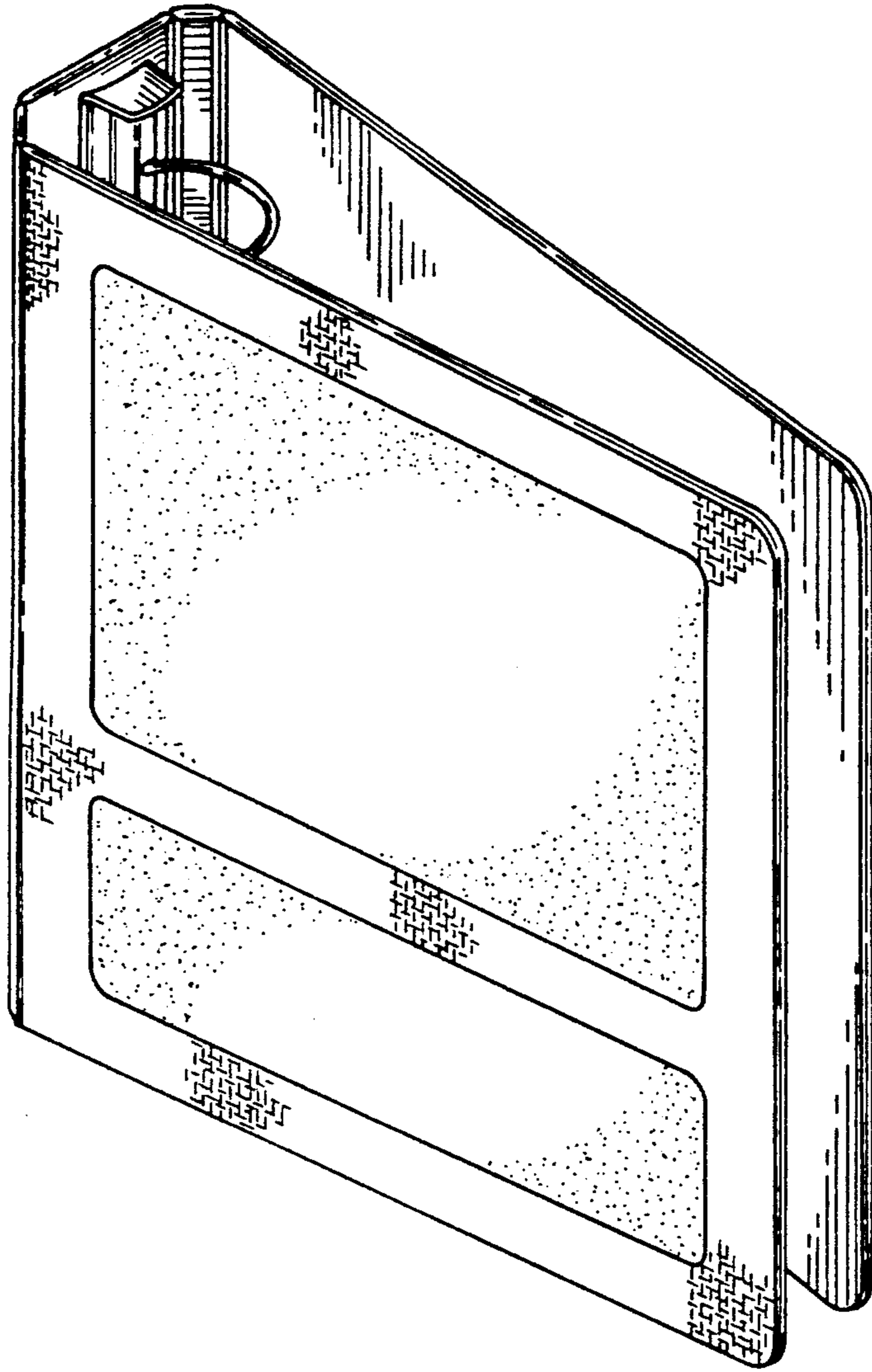


FIG. 1

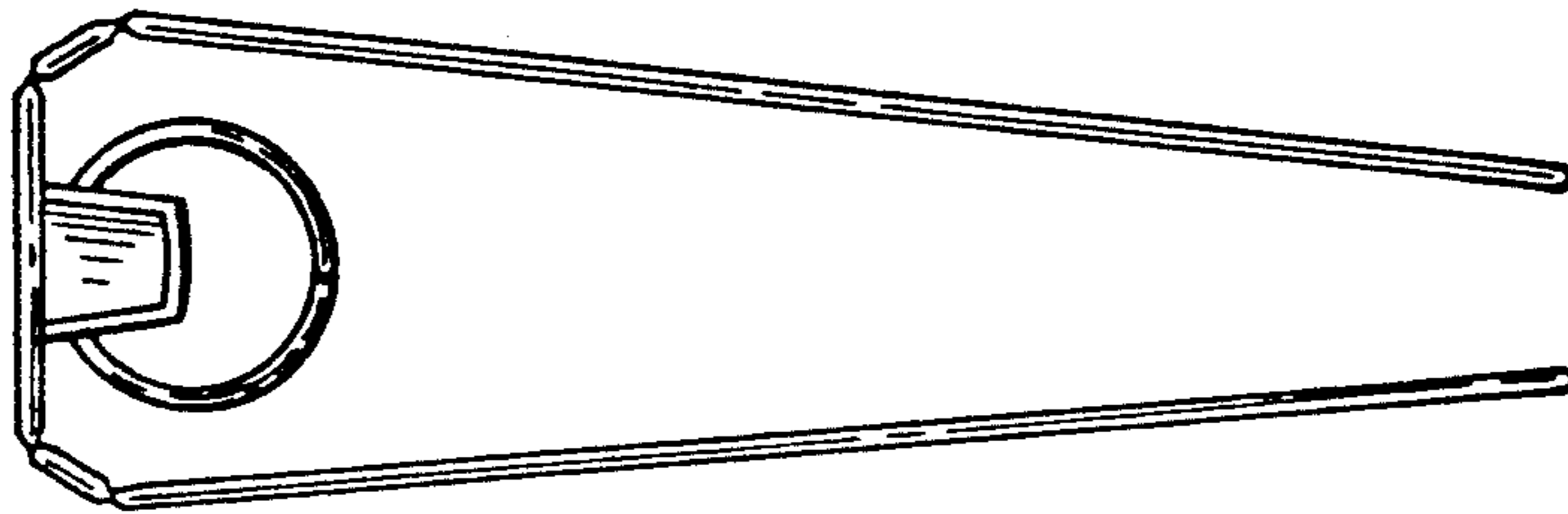


FIG. 2

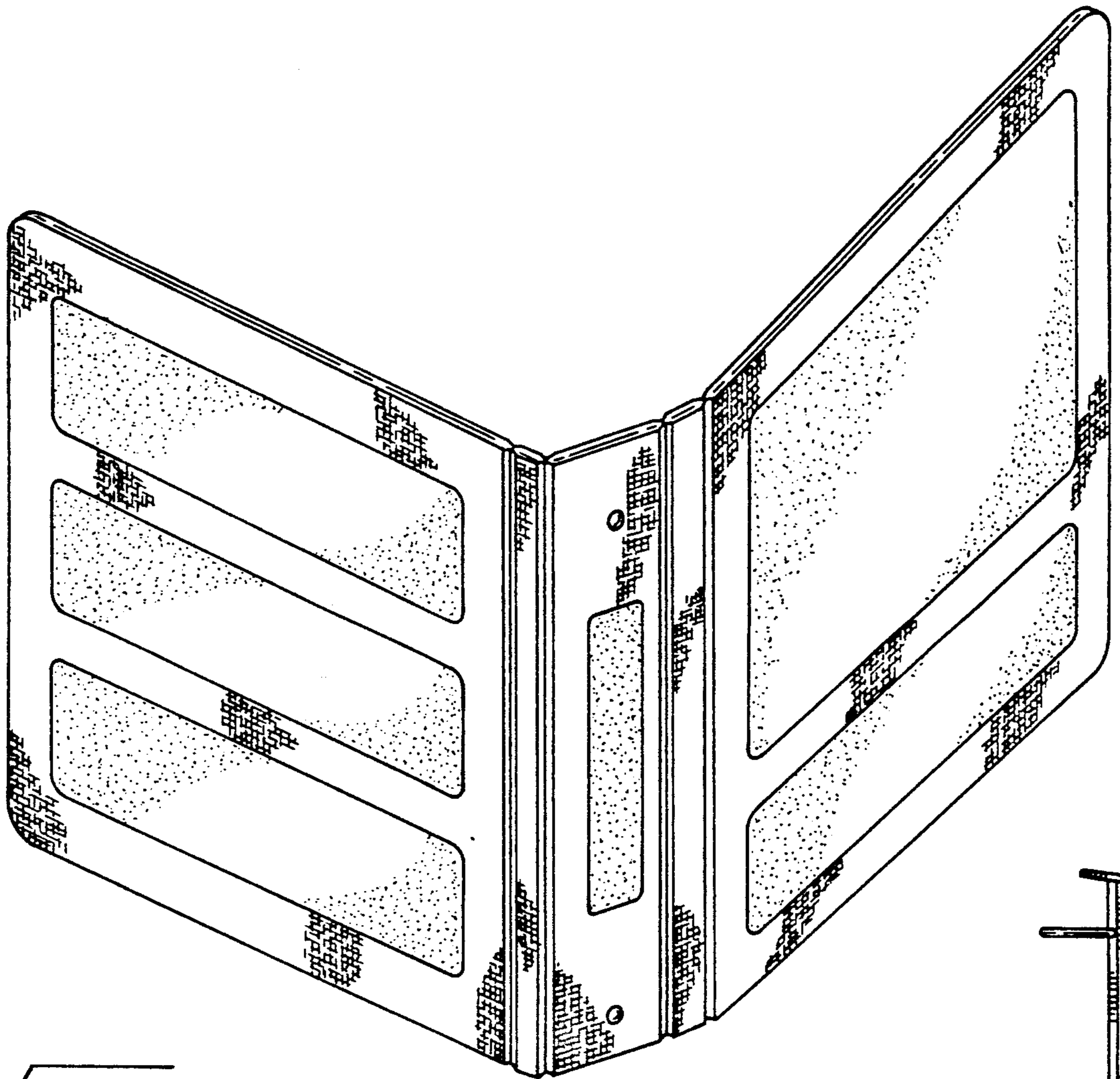


FIG. 3

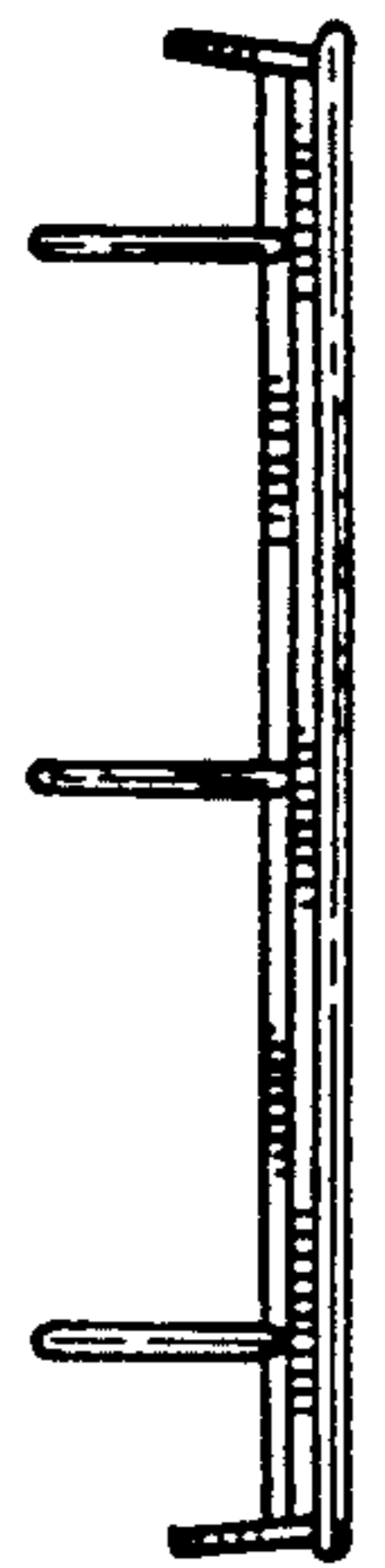


FIG. 4

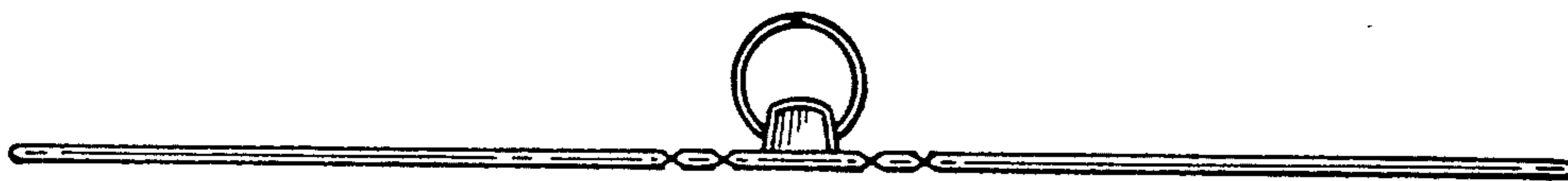


FIG. 5

FIG. 6

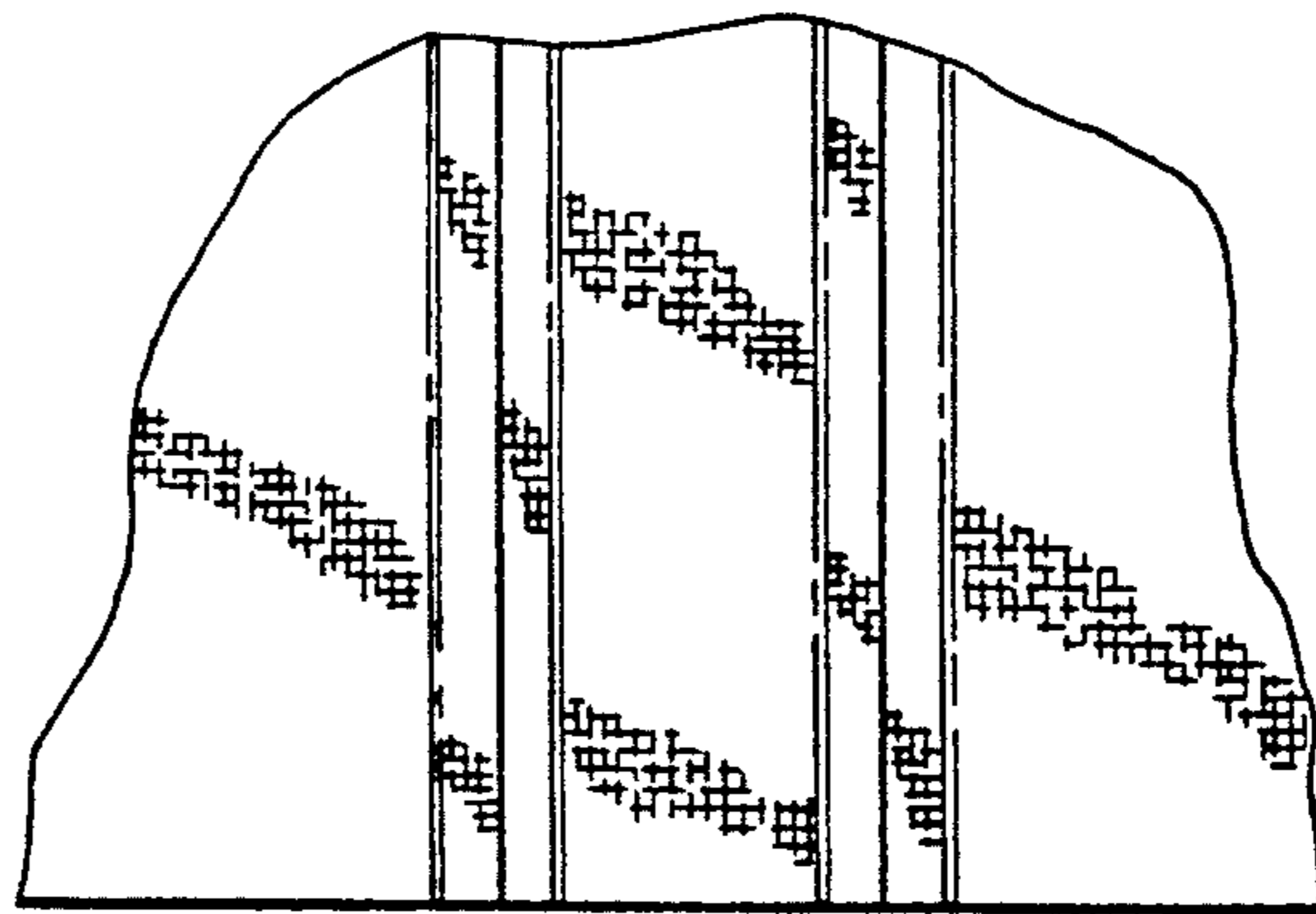
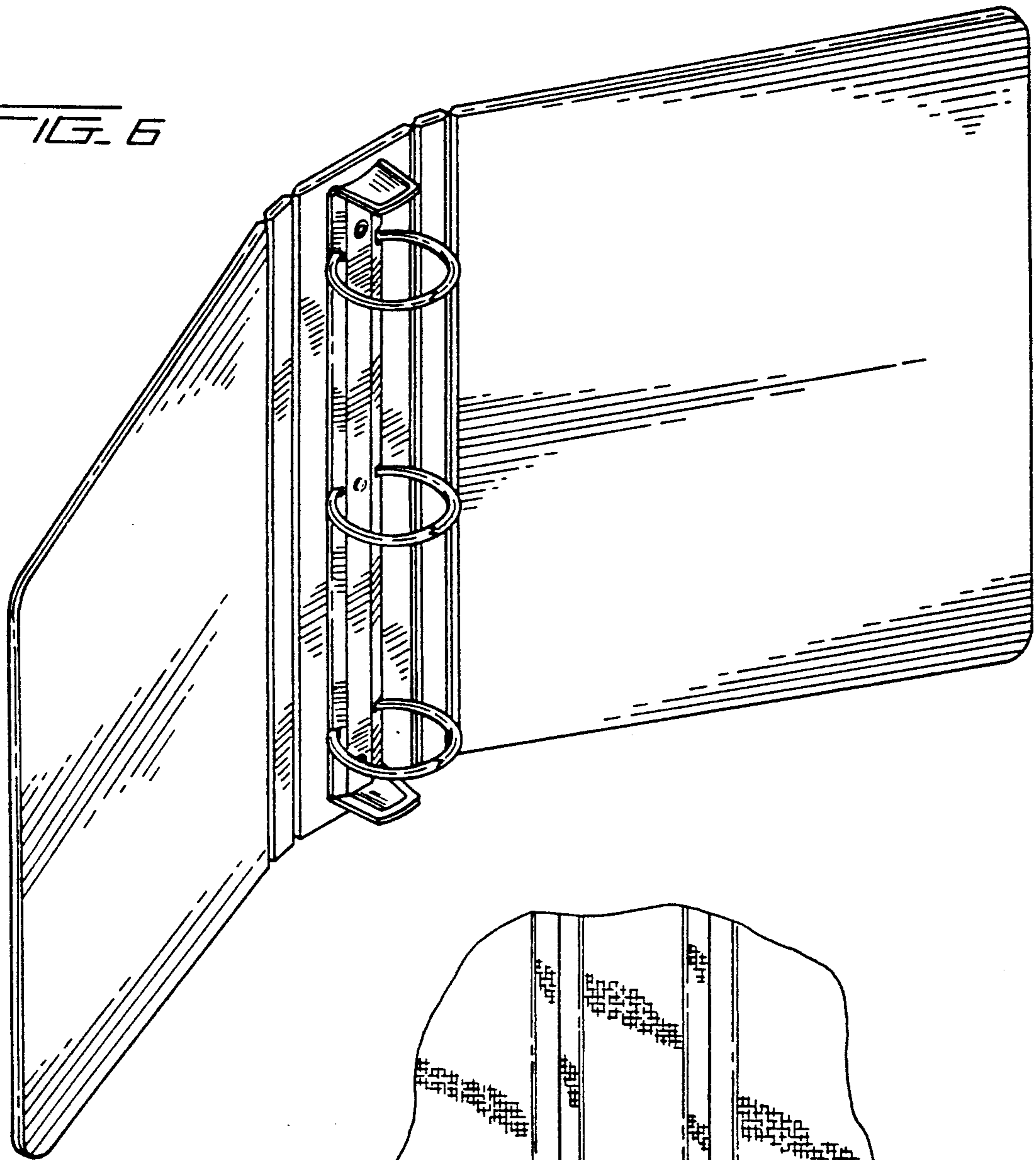


FIG. 7

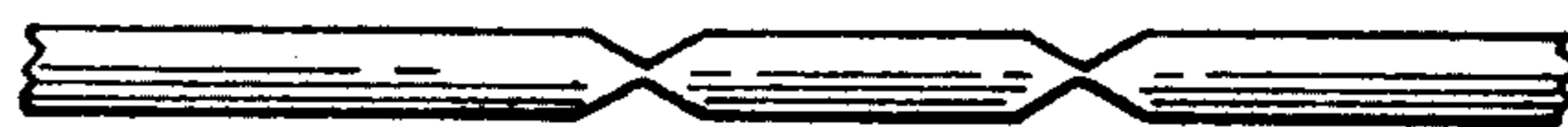


FIG. 8