



US00D347018S

United States Patent [19]
Jehn

[11] **Patent Number: Des. 347,018**
[45] **Date of Patent: ** May 17, 1994**

[54] **LASER SIGHT**

2084347 4/1982 United Kingdom 359/399

[76] **Inventor: E. F. Jehn, 10F, No. 185, Yung Chi Road, Taipei, Taiwan**

OTHER PUBLICATIONS

[**] **Term: 14 Years**

Pistol and Revolver Digest; ©1976; p. 235, Lobo 1.5X Pistol Scope.

[21] **Appl. No.: 948,964**

Peterson's Hunting; Jul. 1990; p. 57; Swarovski Optik Variable Power Riflescope—American Lightweight Series.

[22] **Filed: Sep. 16, 1992**

Titan Tool Supply Company, Inc., Titan Alignment Telescope Model BTRP } 2 Right Angle Vision.

[52] **U.S. Cl. D16/132**

[58] **Field of Search** 33/241, 243-246, 33/252, 257, 259, 261, 265, 297; 42/100; 356/150-151, 153, 247-250; 359/399, 400, 417-418, 427-429; 250/214 UT, 330; D16/130-136; D22/109-110

Gander Mountain, Inc., Fall/Winter 1987; p. 103; Thompson Center Recoil Proof Rifle & Handgun Scope w/Electra Dot Reticle A-C.

Primary Examiner—Cathy Anne MacCormac
Attorney, Agent, or Firm—Browdy and Neimark

[56] **References Cited**

[57] **CLAIM**

U.S. PATENT DOCUMENTS

A new original design for laser sight, as shown and described herein.

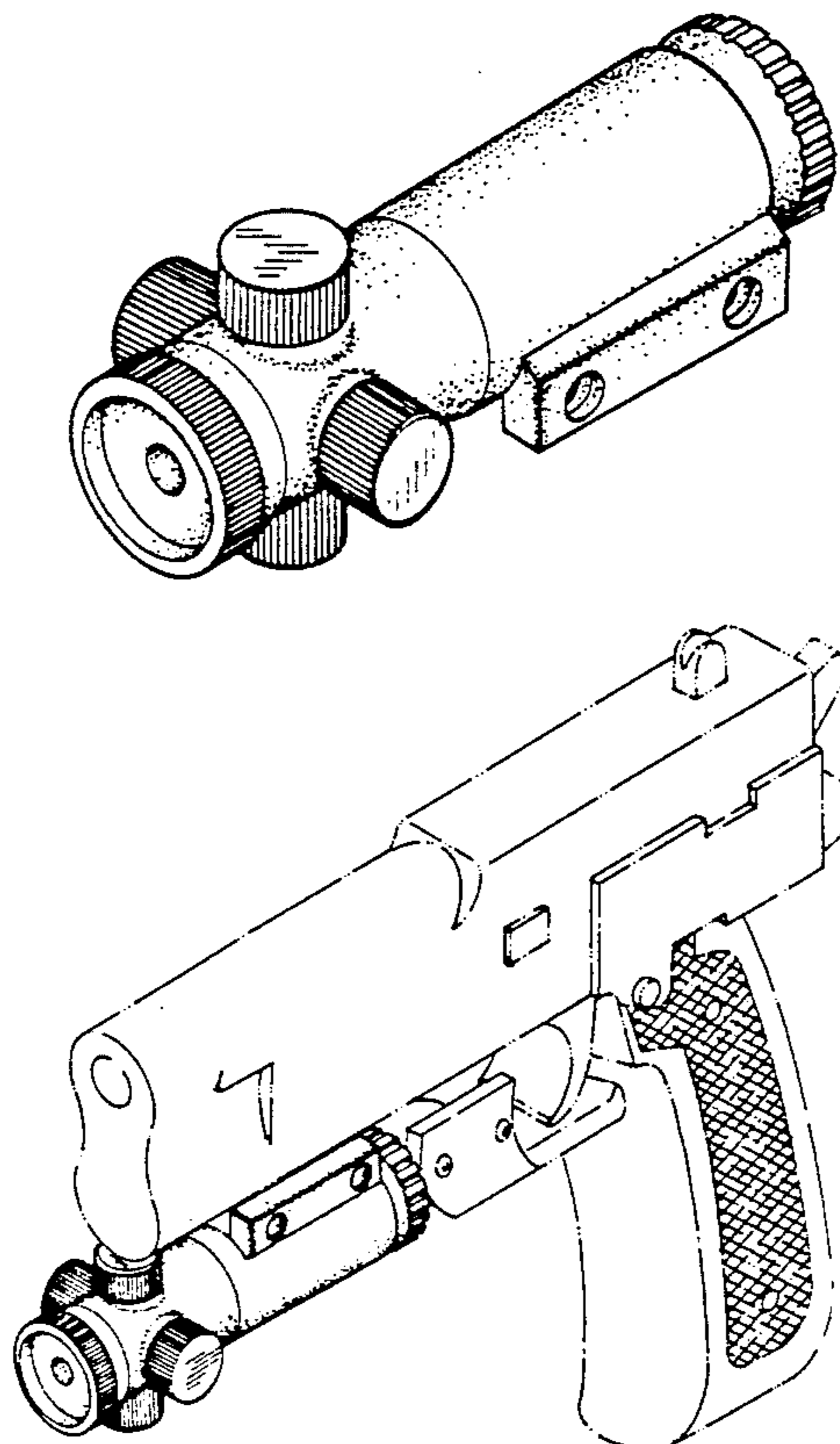
- D. 305,030 12/1989 Fukushima D16/132
- D. 312,089 11/1990 Jörlöv D16/132
- D. 319,450 8/1991 Charles D16/132
- D. 332,792 1/1993 Jörlöv D16/132
- 1,704,060 3/1929 Packard, Jr. 33/246
- 2,857,675 10/1958 Kesselring 33/245
- 3,023,503 3/1962 Baker D16/132
- 3,642,341 2/1972 Seifried 359/429
- 4,789,231 12/1988 Shimizu 359/427
- 4,986,645 1/1991 Ekstrand 359/428

DESCRIPTION

FIG. 1 is a perspective view thereof;
FIG. 2 is a left side view thereof;
FIG. 3 is a right side thereof;
FIG. 4 is a front view thereof;
FIG. 5 is a rear view thereof;
FIG. 6 is a top view thereof;
FIG. 7 is a bottom view thereof; and,
FIG. 8 is a perspective view thereof, the broken lines are for illustrative purposes only and form no part of the claimed design.

FOREIGN PATENT DOCUMENTS

- 2006485 4/1992 PCT Int'l Appl. 250/214 UT
- 377689 6/1964 Switzerland 33/246



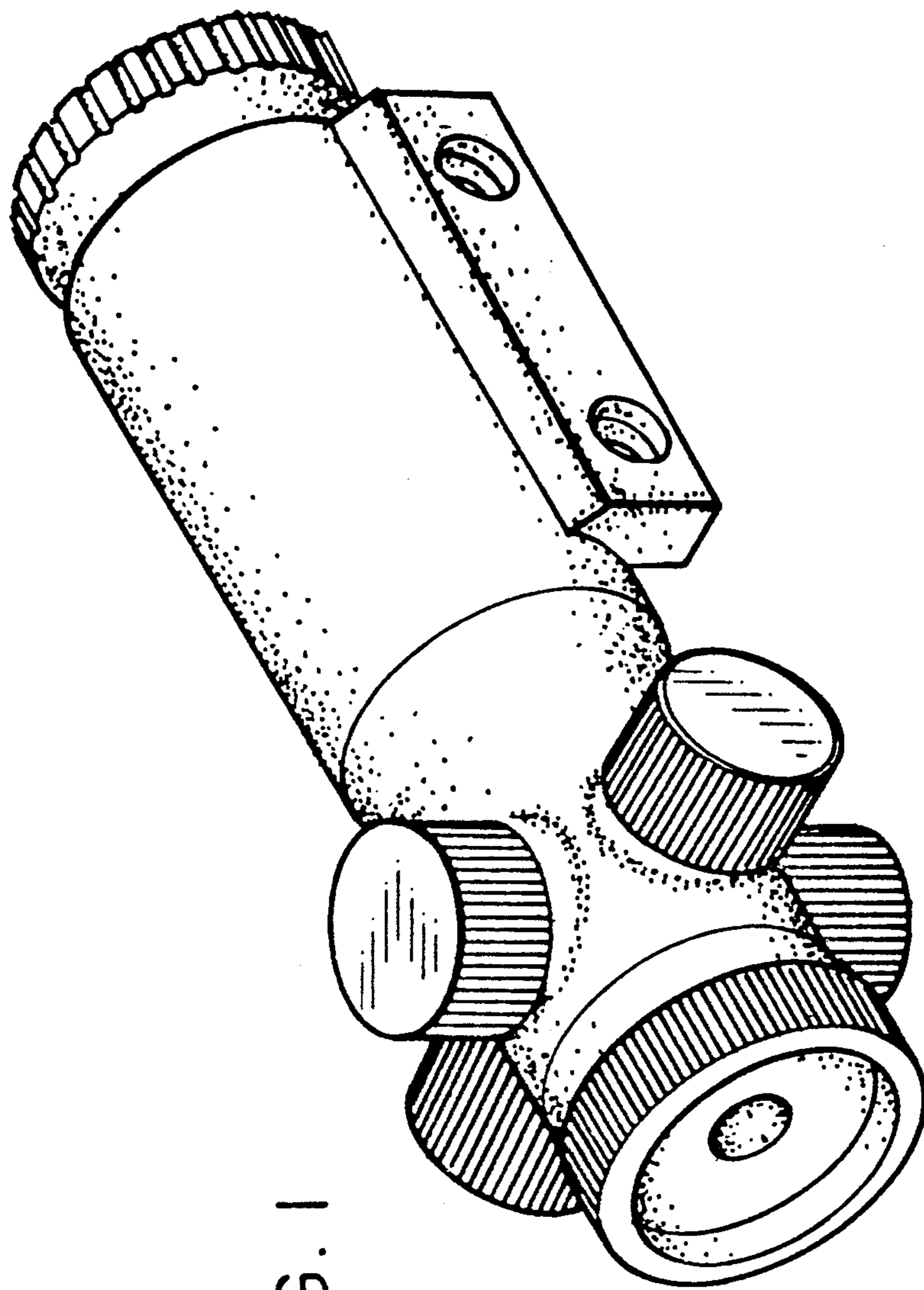


FIG. 1

FIG. 2

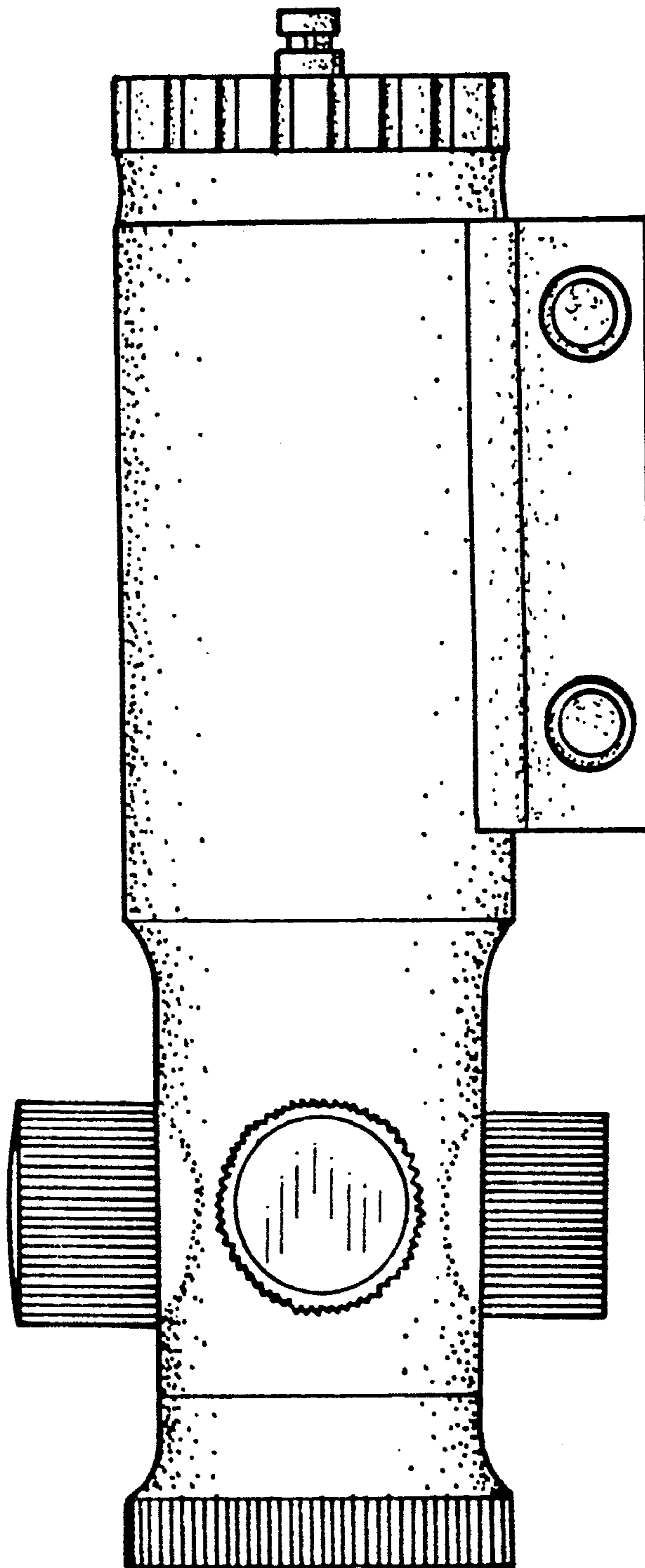


FIG. 3

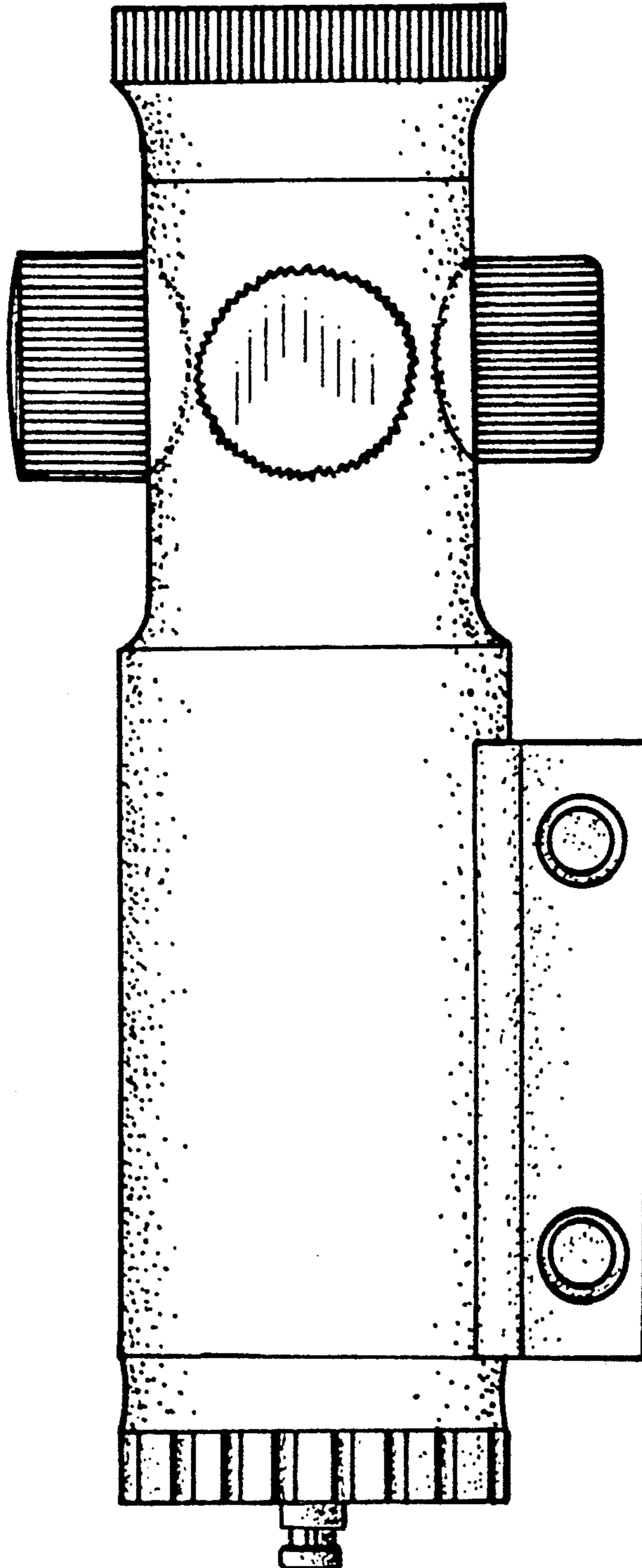


FIG. 4

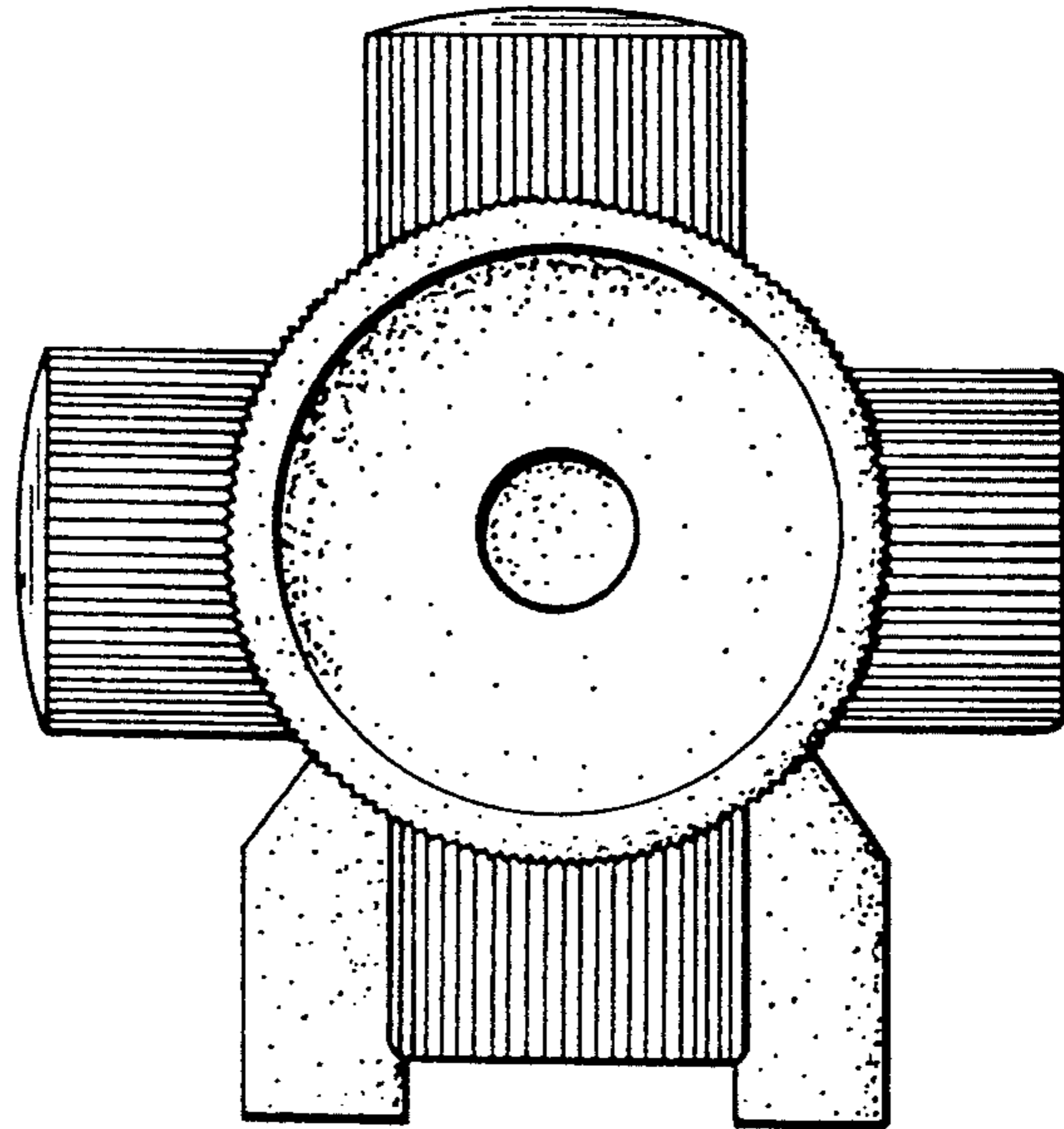
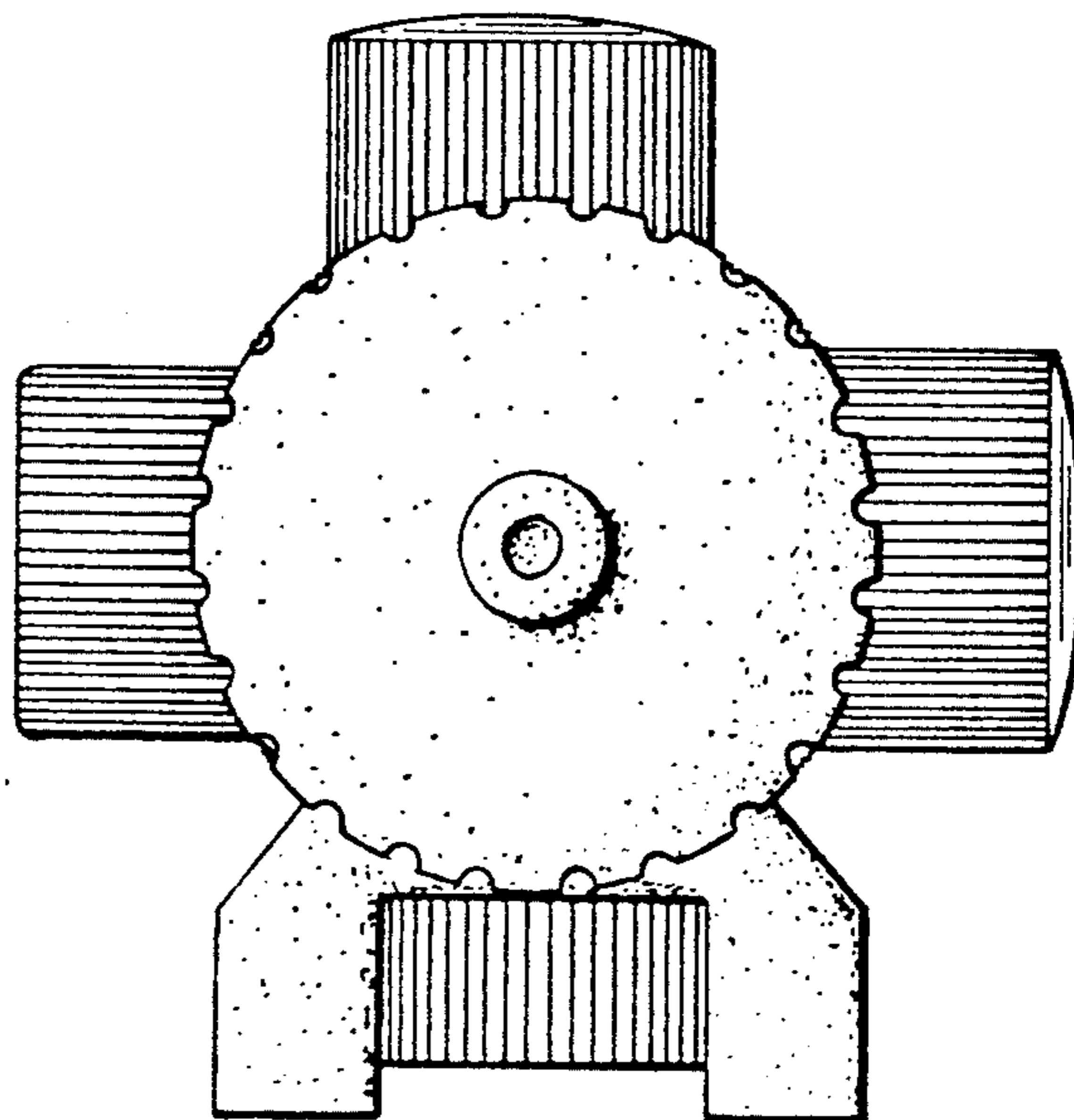


FIG. 5



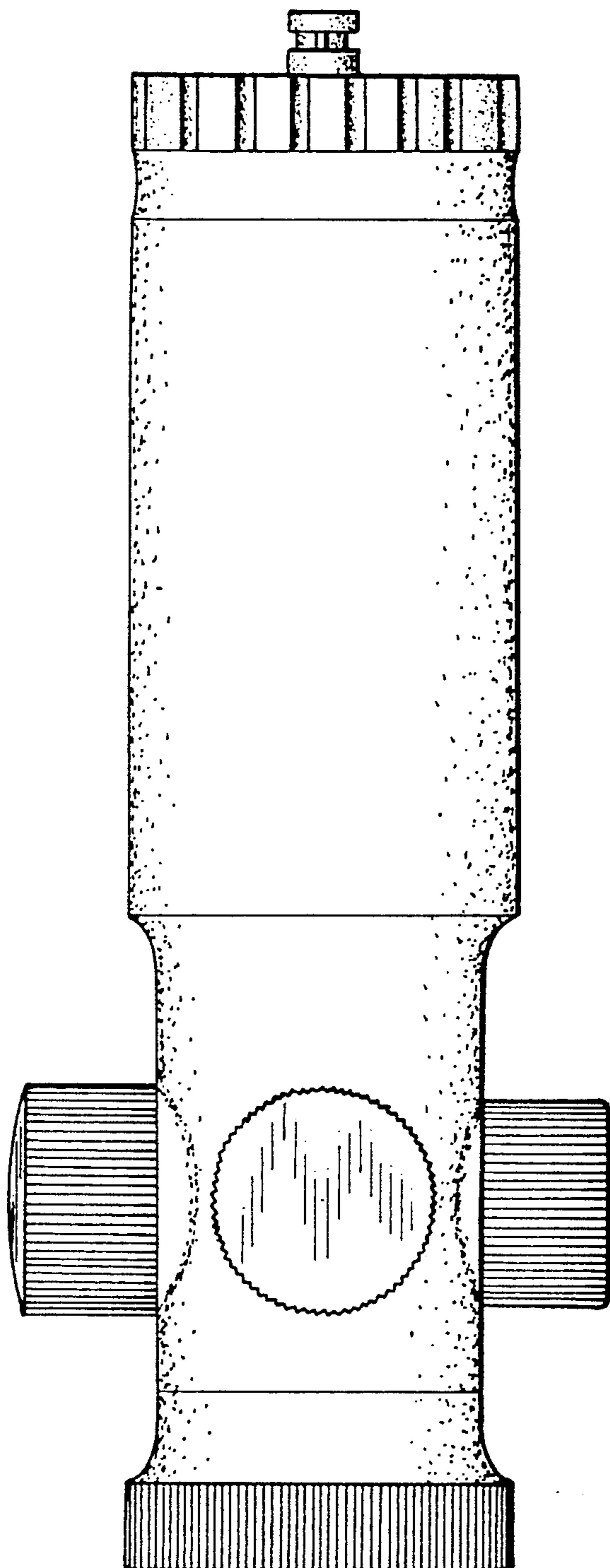


FIG. 6

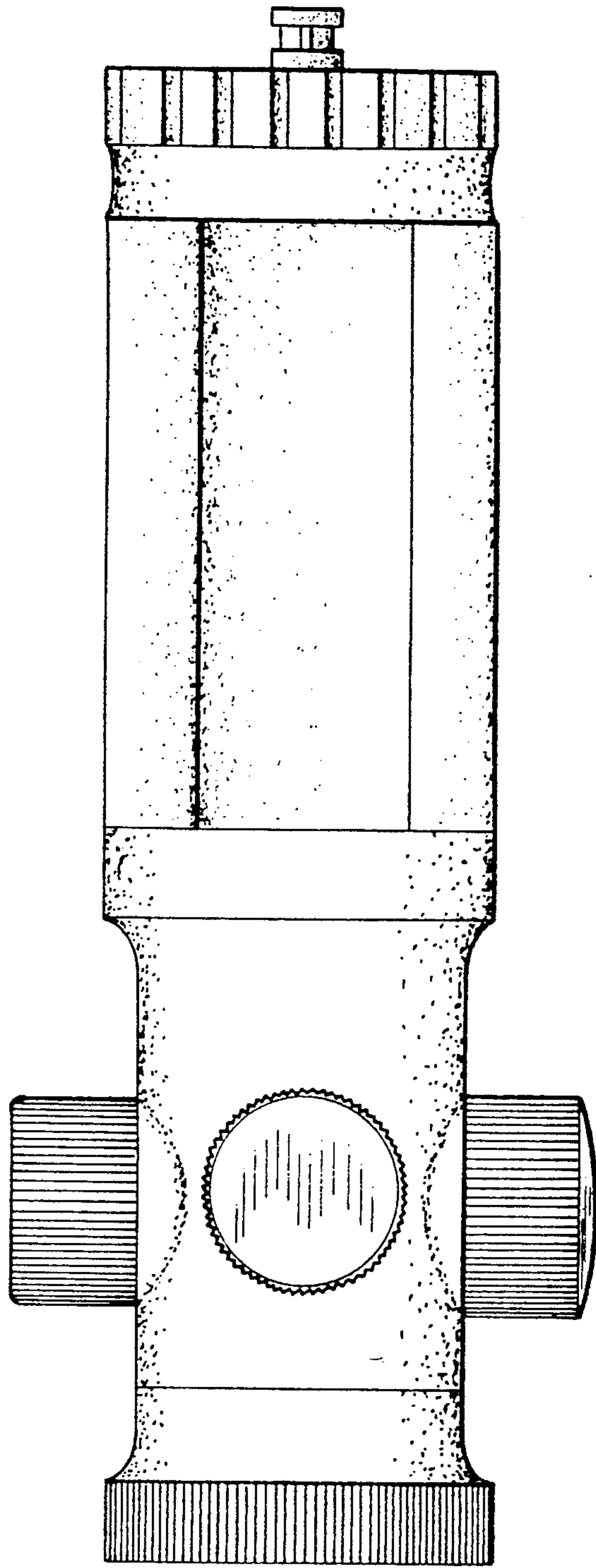


FIG. 7

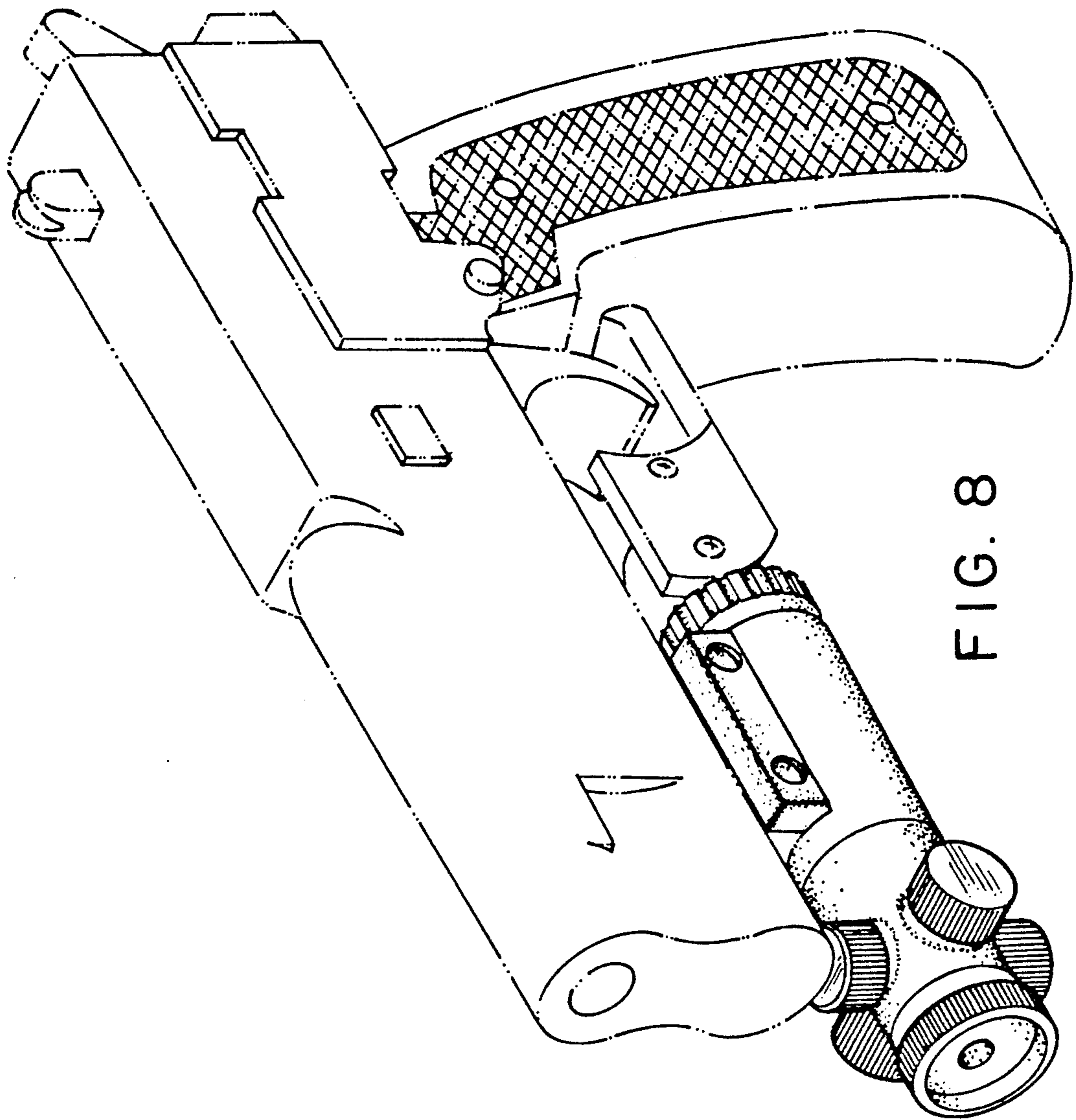


FIG. 8