



US00D347013S

United States Patent [19]

[11] Patent Number: **Des. 347,013**

Taguchi et al.

[45] Date of Patent: **** May 17, 1994**

[54] **FILM LAMINATOR FOR PRINTED CIRCUIT BOARDS**

D. 338,025	8/1993	Washizaki et al.	D15/145
3,539,417	11/1970	Black	156/522
4,545,176	10/1985	Marchetti	53/76
5,162,071	11/1992	Nagafuchi et al.	156/521

[75] Inventors: **Hiroshi Taguchi, Tokyo; Yoji Washizaki, Saitama; Kiyoji Sugimoto, Chiba, all of Japan**

Primary Examiner—Bernard Ansher
Assistant Examiner—Adir Aronovich
Attorney, Agent, or Firm—Sughrue, Mion, Zinn, Macpeak & Seas

[73] Assignee: **Somar Corporation, Tokyo, Japan**

[**] Term: **14 Years**

[57] CLAIM

[21] Appl. No.: **904,537**

The ornamental design for a film laminator for printed circuit boards, as shown.

[22] Filed: **Jun. 26, 1992**

[30] Foreign Application Priority Data

Dec. 27, 1991 [JP] Japan 3-39250

[52] U.S. Cl. **D15/145**

[58] Field of Search 53/76, 389.1, 389.2, 53/389.4; 156/521, 522, 556; D15/145, 146

DESCRIPTION

[56] References Cited

U.S. PATENT DOCUMENTS

D. 232,122	7/1974	Katz	D15/145
D. 328,307	7/1992	Belletire et al.	D15/145

FIG. 1 is a perspective view of the front, top and one end of a film laminator for printed circuit boards showing our new design;

FIG. 2 is an end elevational view of said one end;

FIG. 3 is an end elevational view of an opposite end thereof;

FIG. 4 is a rear elevational view thereof;

FIG. 5 is a front elevational view thereof;

FIG. 6 is a top plan view thereof; and,

FIG. 7 is a bottom plan view thereof.

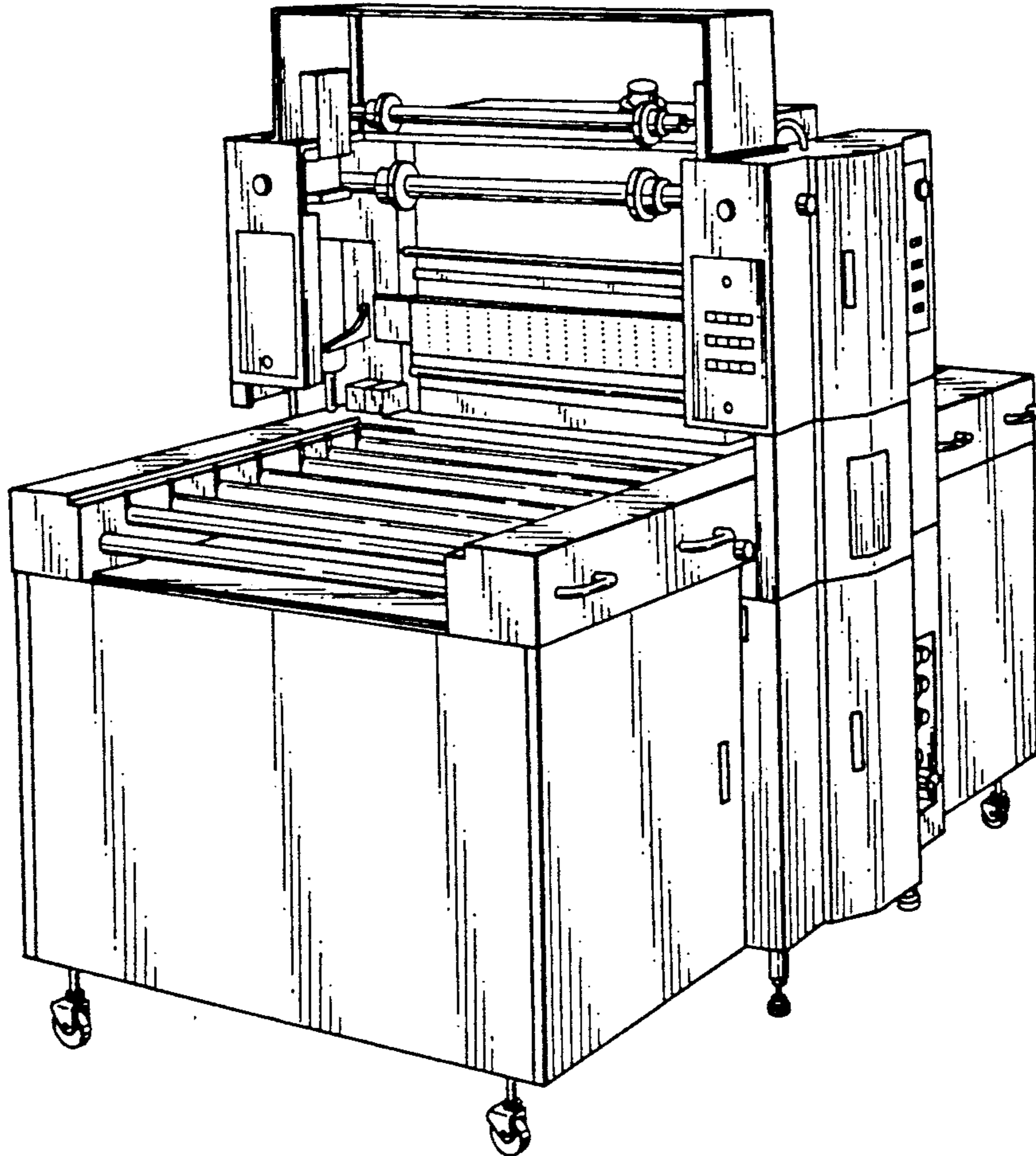


Fig. 1

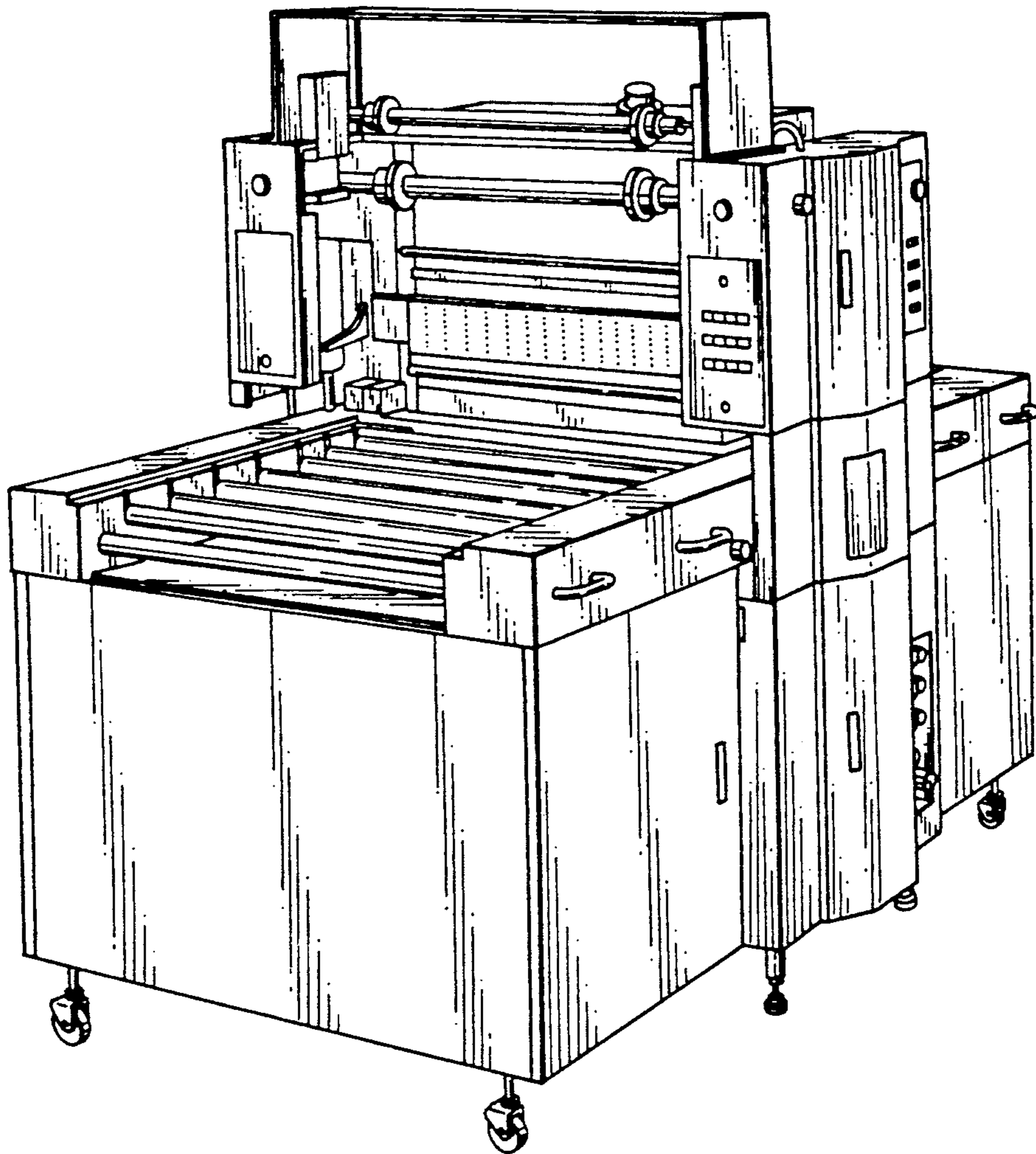


Fig. 3

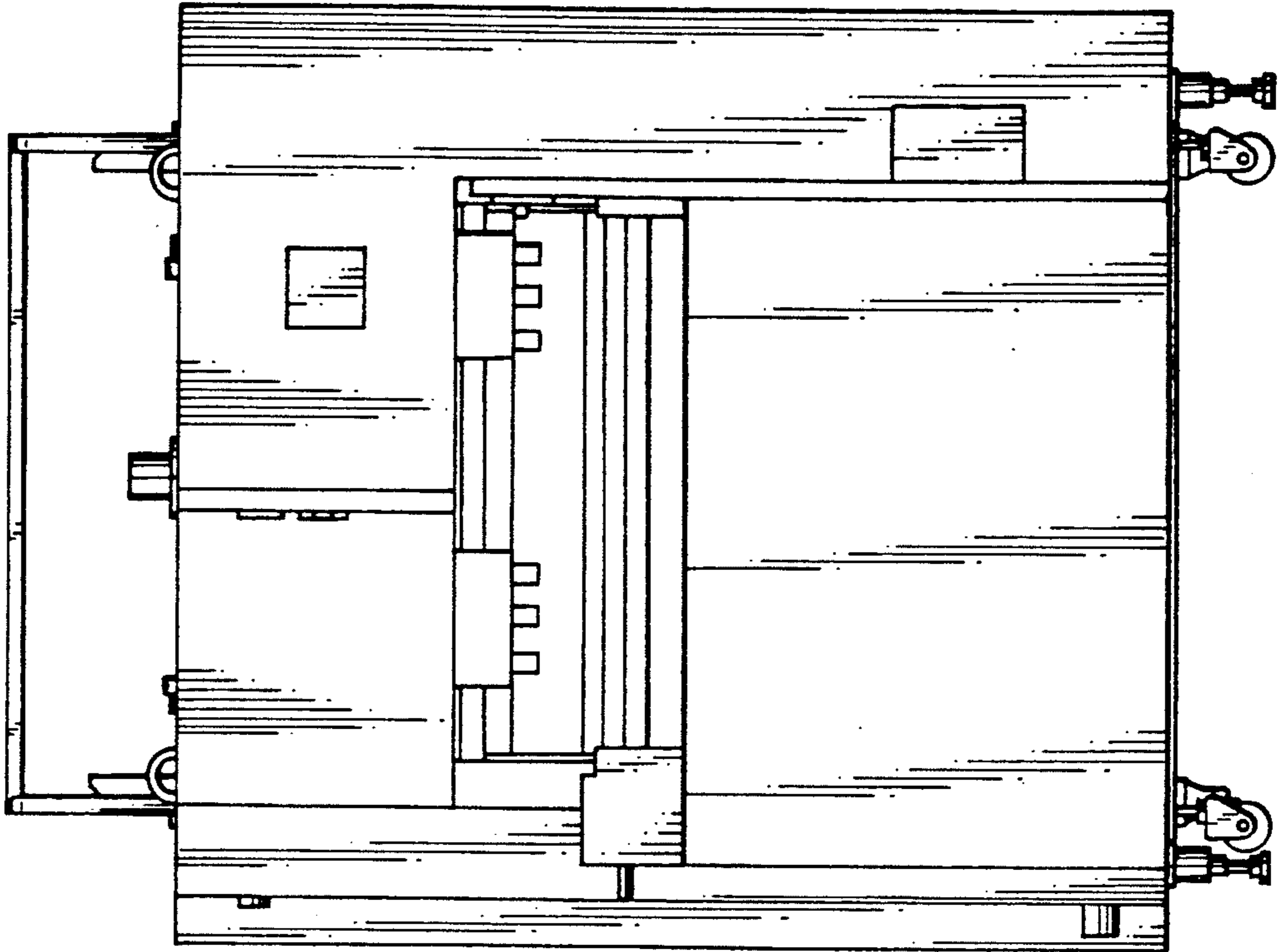


Fig. 2

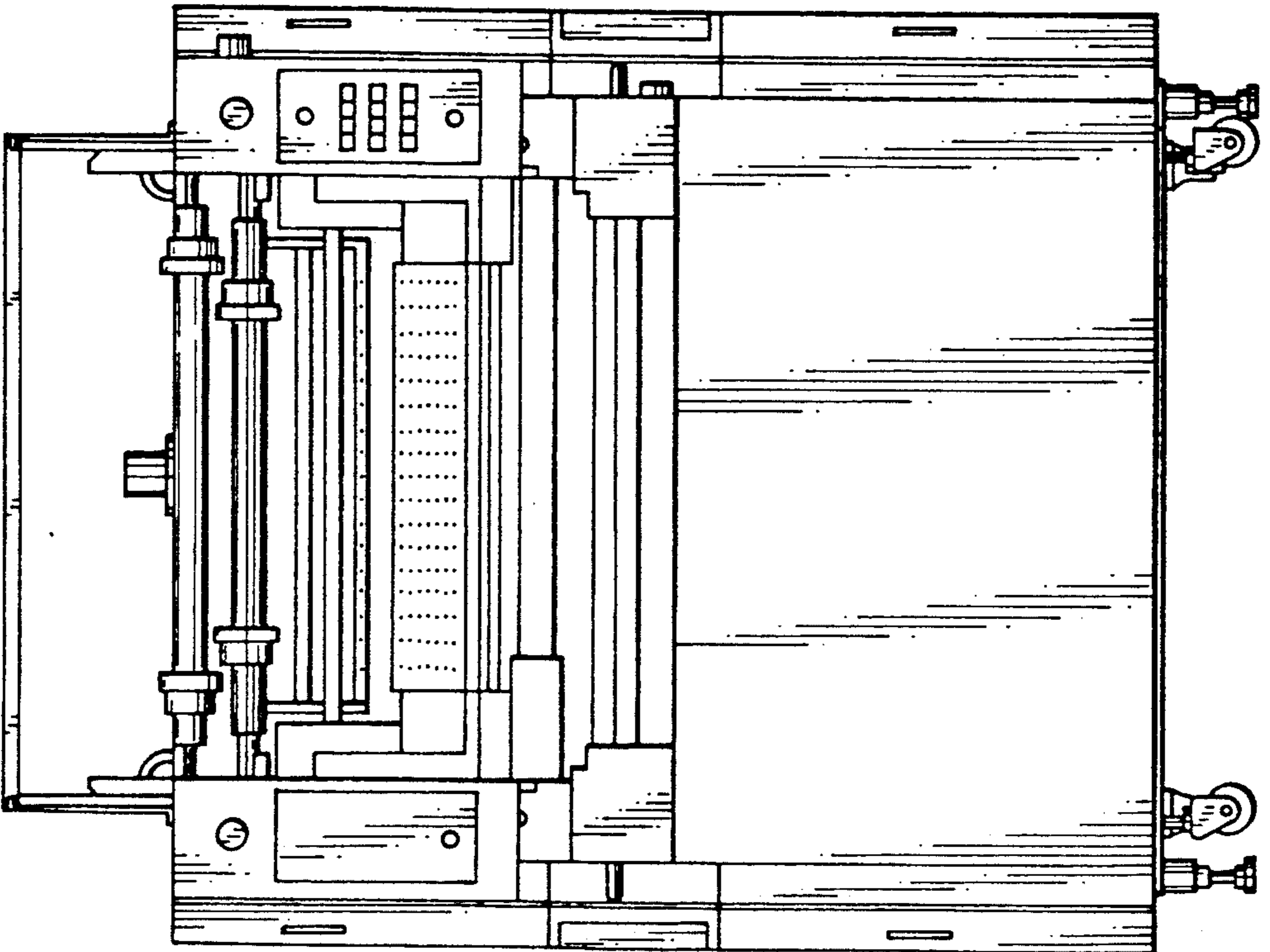
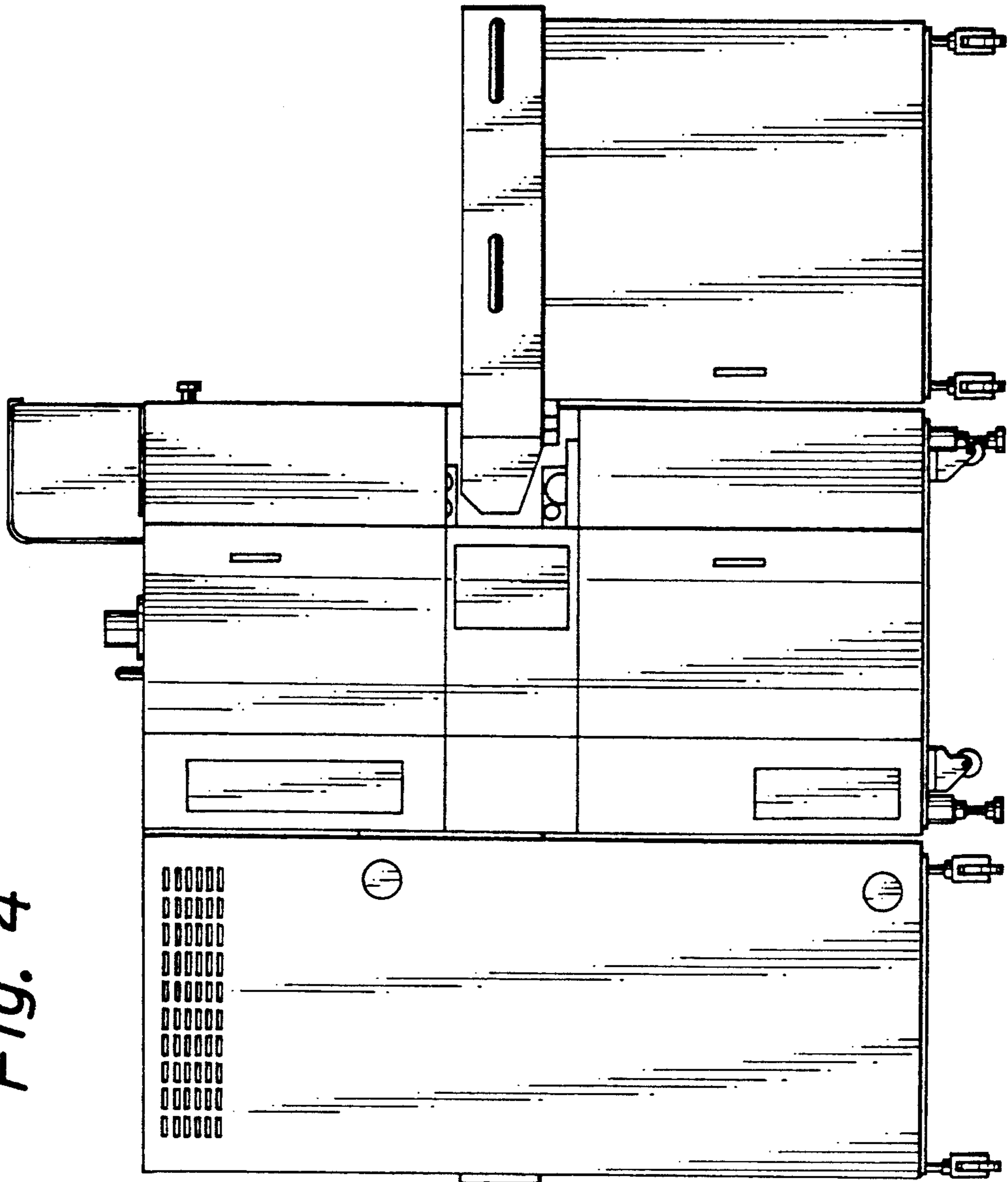


Fig. 4



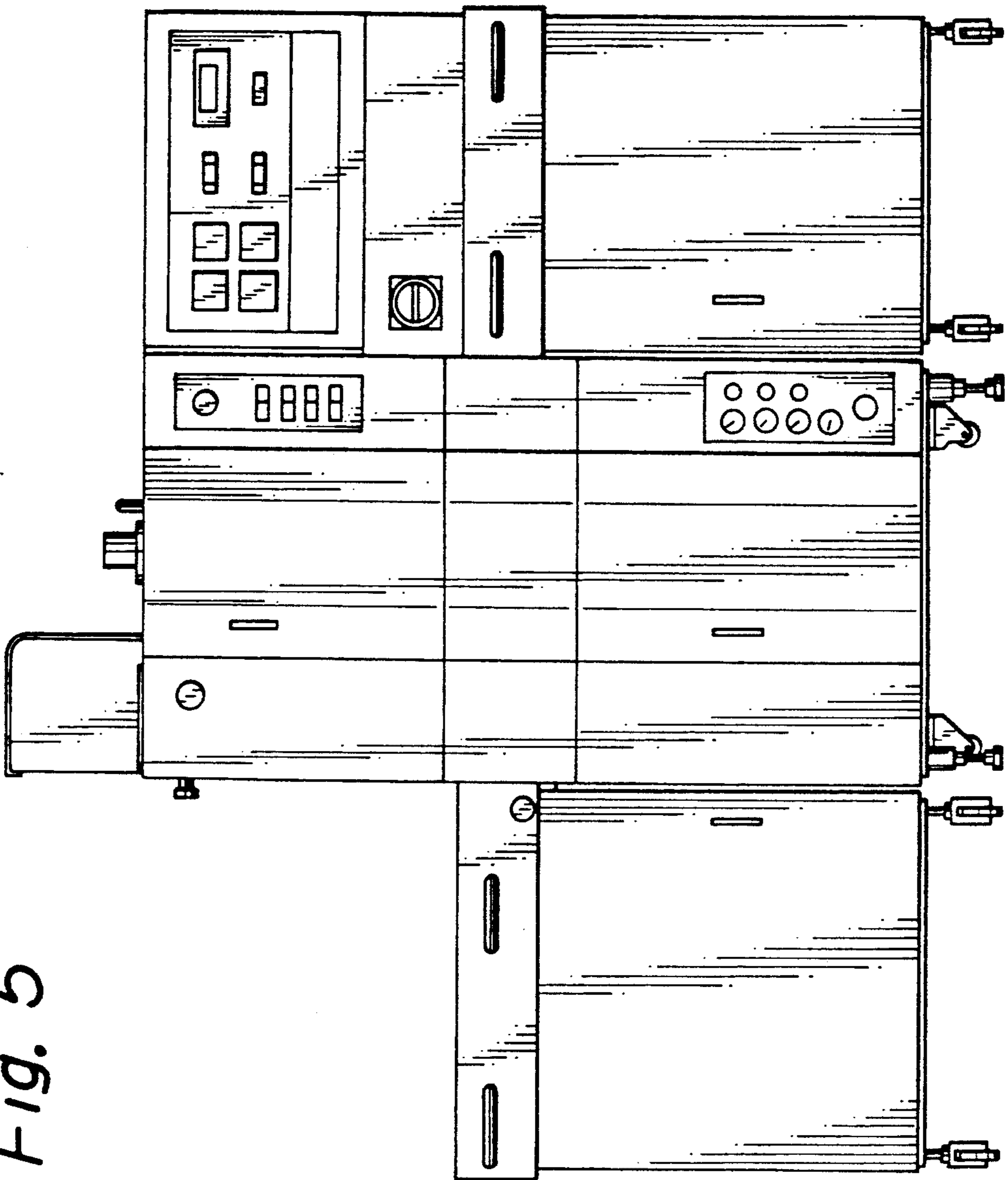


Fig. 5

Fig. 6

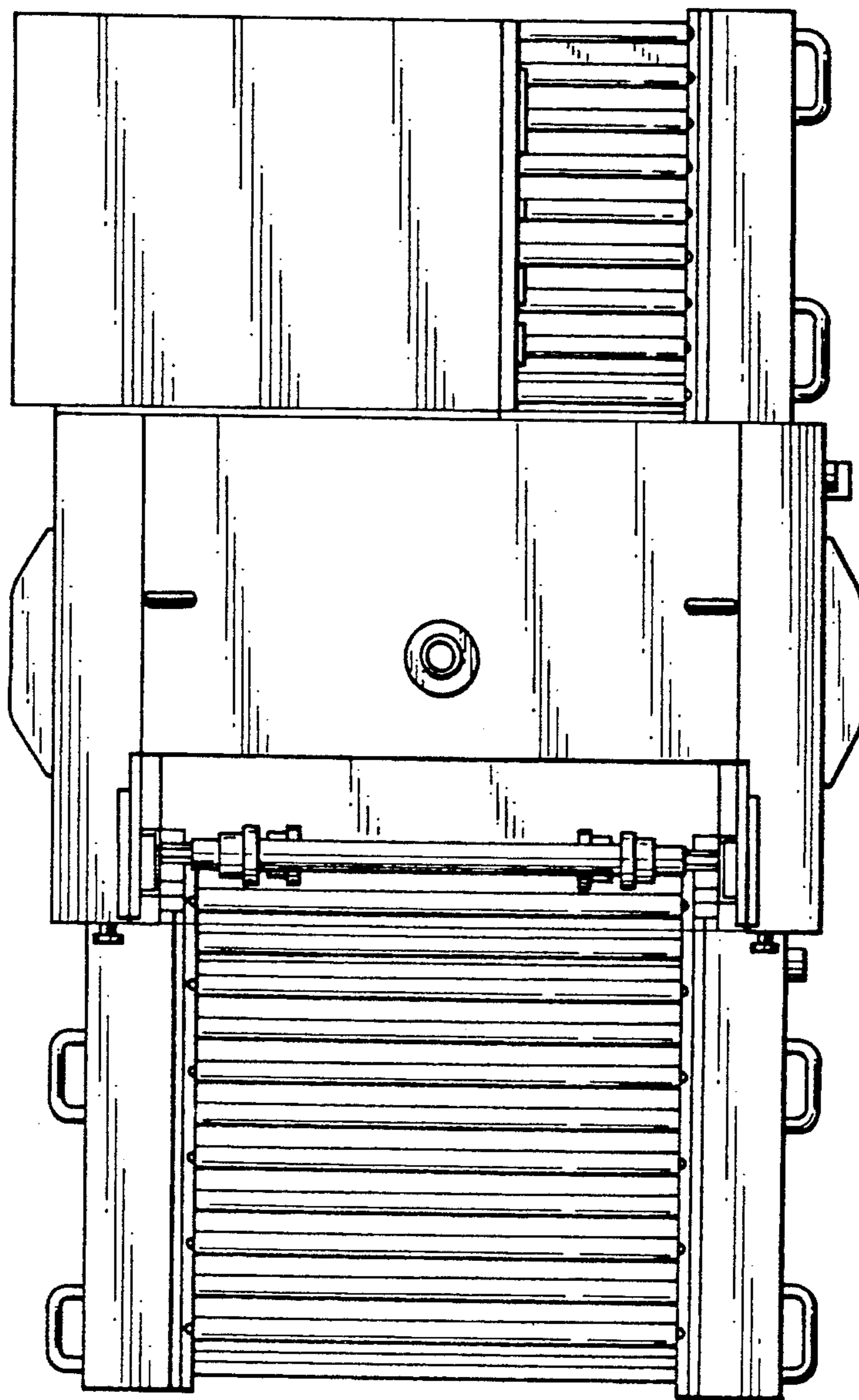


Fig. 7

