



US00D347011S

United States Patent [19]

[11] Patent Number: **Des. 347,011**

Baxter

[45] Date of Patent: **** May 17, 1994**

[54] **LAWN MOWER WITH EDGER**

[76] Inventor: **Robert H. Baxter, 2901 Kay La.,
Springdale, Ark. 72762**

[**] Term: **14 Years**

[21] Appl. No.: **1,086**

[22] Filed: **Nov. 2, 1992**

[52] U.S. Cl. **D15/14; D15/17**

[58] Field of Search **56/13.4, 13.7, 16.7,
56/17.5, 202, 255, 294, 320.1, 320.2;
D15/14-18**

4,189,040 2/1980 Braunschweig 192/26
 4,312,174 1/1982 Vanderhoef 56/320.2
 4,453,372 6/1984 Remer 56/13.7
 4,478,028 10/1984 Dawson, Jr. 56/16.9
 4,551,967 11/1985 Murcko 56/13.7
 4,711,077 12/1987 Kutsukake et al. 56/17.5
 4,897,988 2/1990 Schweitz et al. 56/202

FOREIGN PATENT DOCUMENTS

2221373 2/1990 United Kingdom 56/320.2

Primary Examiner—Bernard Ansher
Assistant Examiner—Sandra Morris
Attorney, Agent, or Firm—Robert R. Keegan

[56] **References Cited**
U.S. PATENT DOCUMENTS

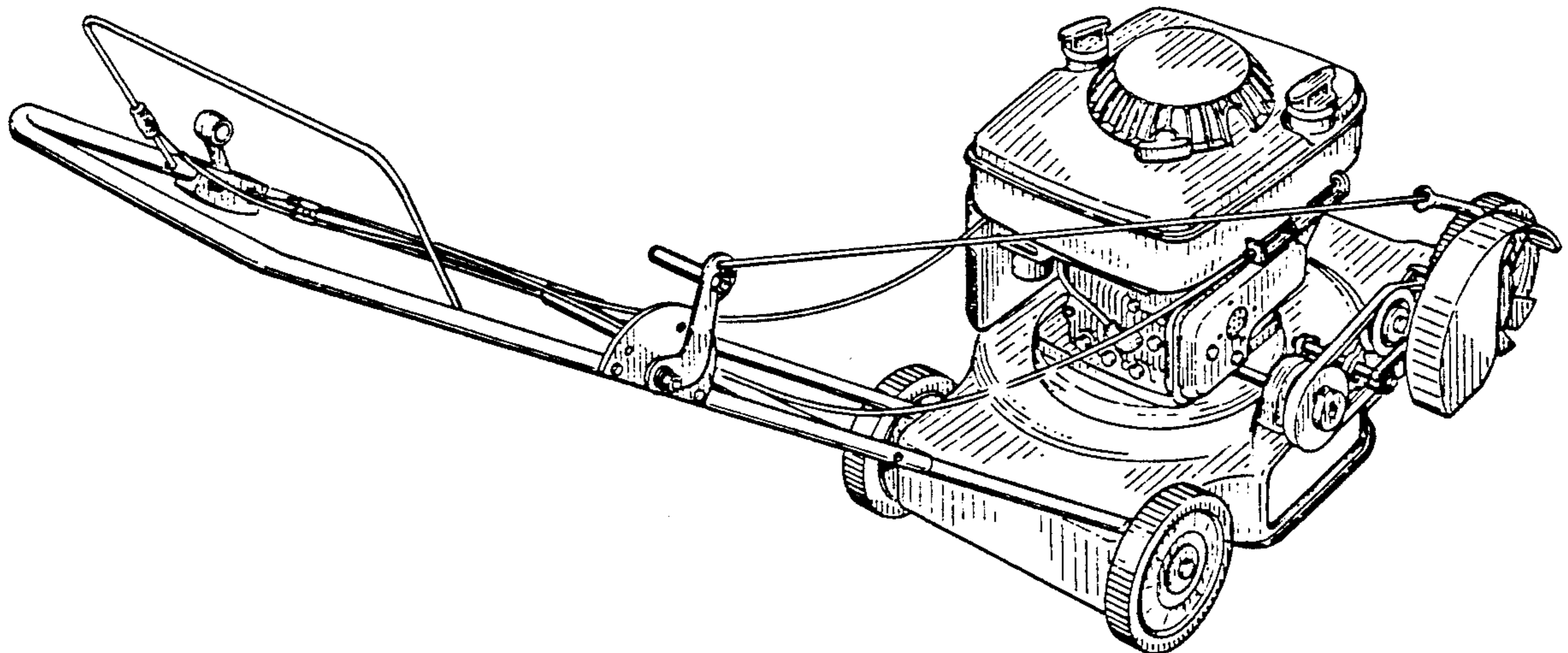
D. 304,728 11/1989 Piorkowski D15/16
 D. 312,671 12/1990 Klawitter D15/14
 2,771,730 11/1956 True 56/25.4
 3,191,368 6/1965 Hidalgo D15/17
 3,197,951 8/1965 Zick D15/17
 3,319,406 5/1967 Miles 56/25.4
 3,668,845 6/1972 Parker 56/11.6
 3,698,165 10/1972 Keesee 56/11.4
 3,710,563 1/1973 Polette et al. 56/16.9
 3,782,085 1/1974 Parker et al. 56/11.6
 3,803,818 4/1974 Chaney 56/11.6
 3,812,917 5/1974 Strate 172/15
 3,969,877 7/1976 Moss et al. 56/256

[57] CLAIM

The ornamental design for a lawn mower with edger, as shown and described.

DESCRIPTION

FIG. 1 is an enlarged perspective view of a lawn mower with edger showing my new design;
 FIG. 2 is a top plan view thereof;
 FIG. 3 is a right side elevational view thereof;
 FIG. 4 is a bottom plan view thereof;
 FIG. 5 is a front elevational view thereof;
 FIG. 6 is a back elevational view thereof; and,
 FIG. 7 is an enlarged left side detailed elevational view thereof.



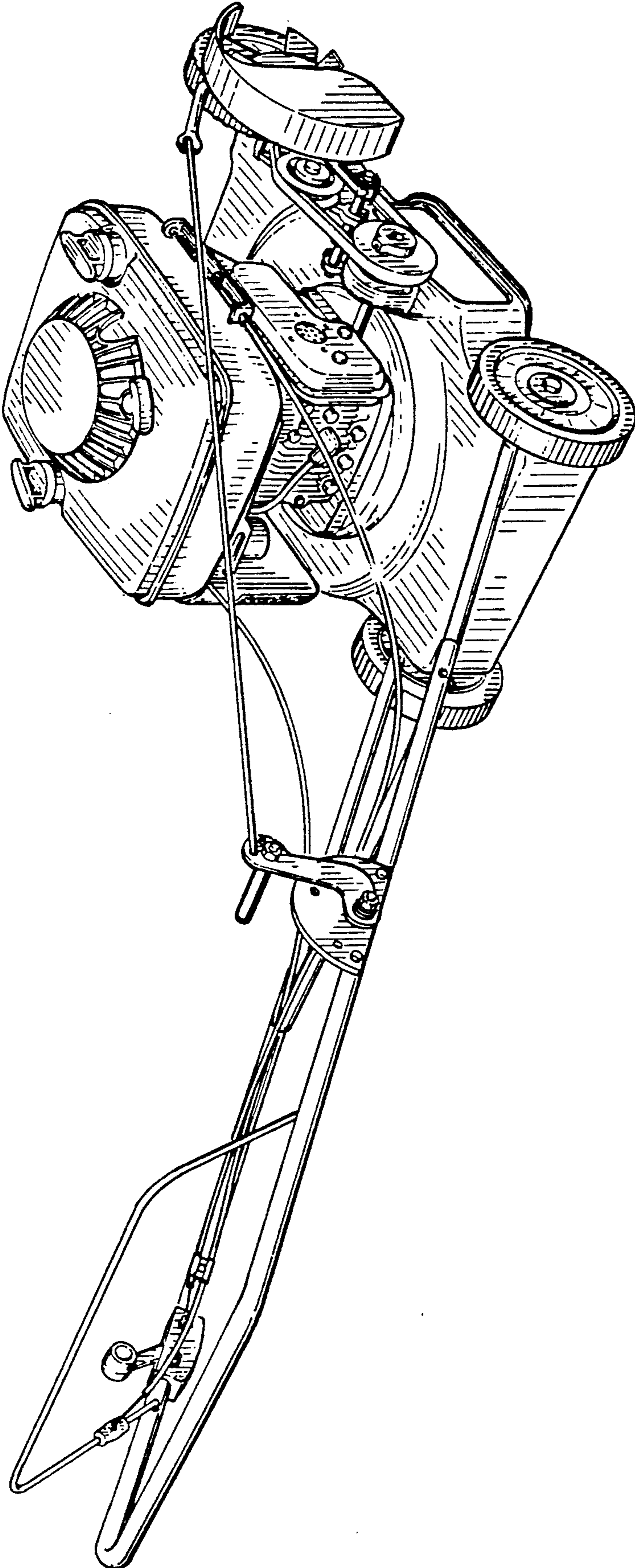


FIG. 1

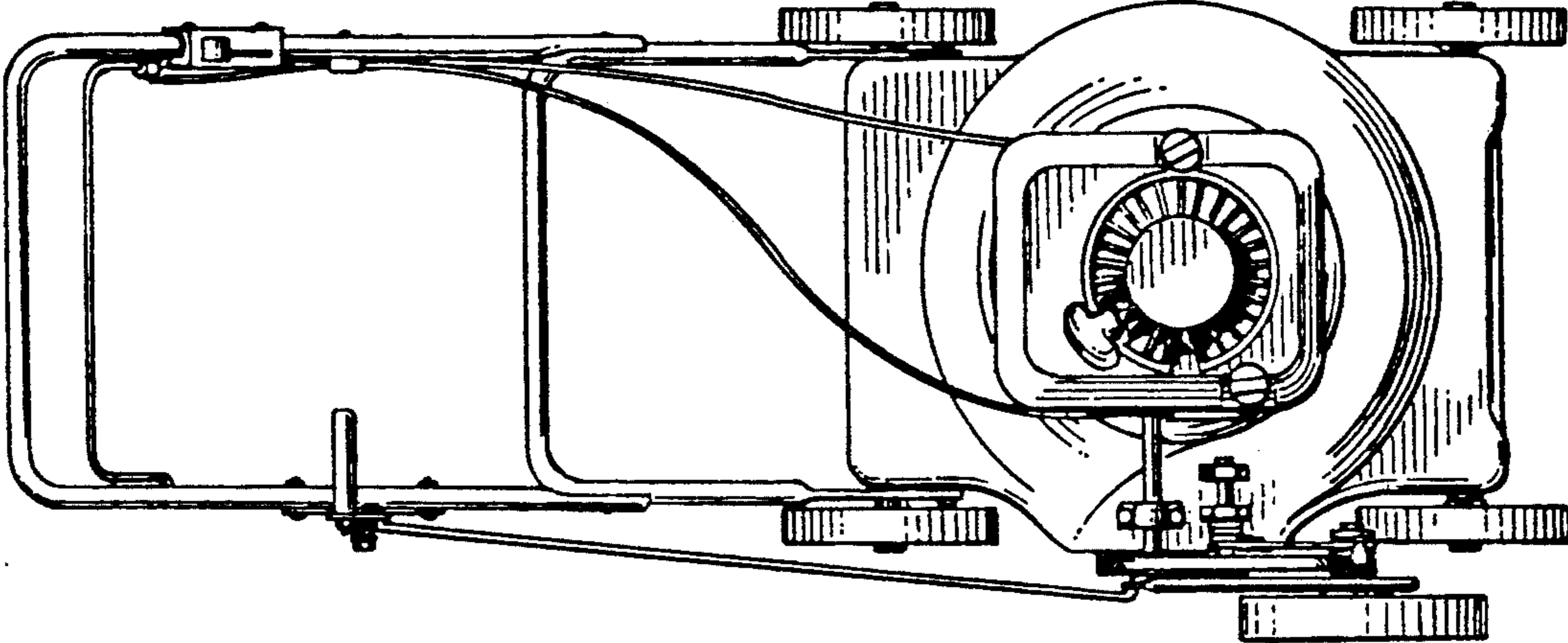


FIG. 2

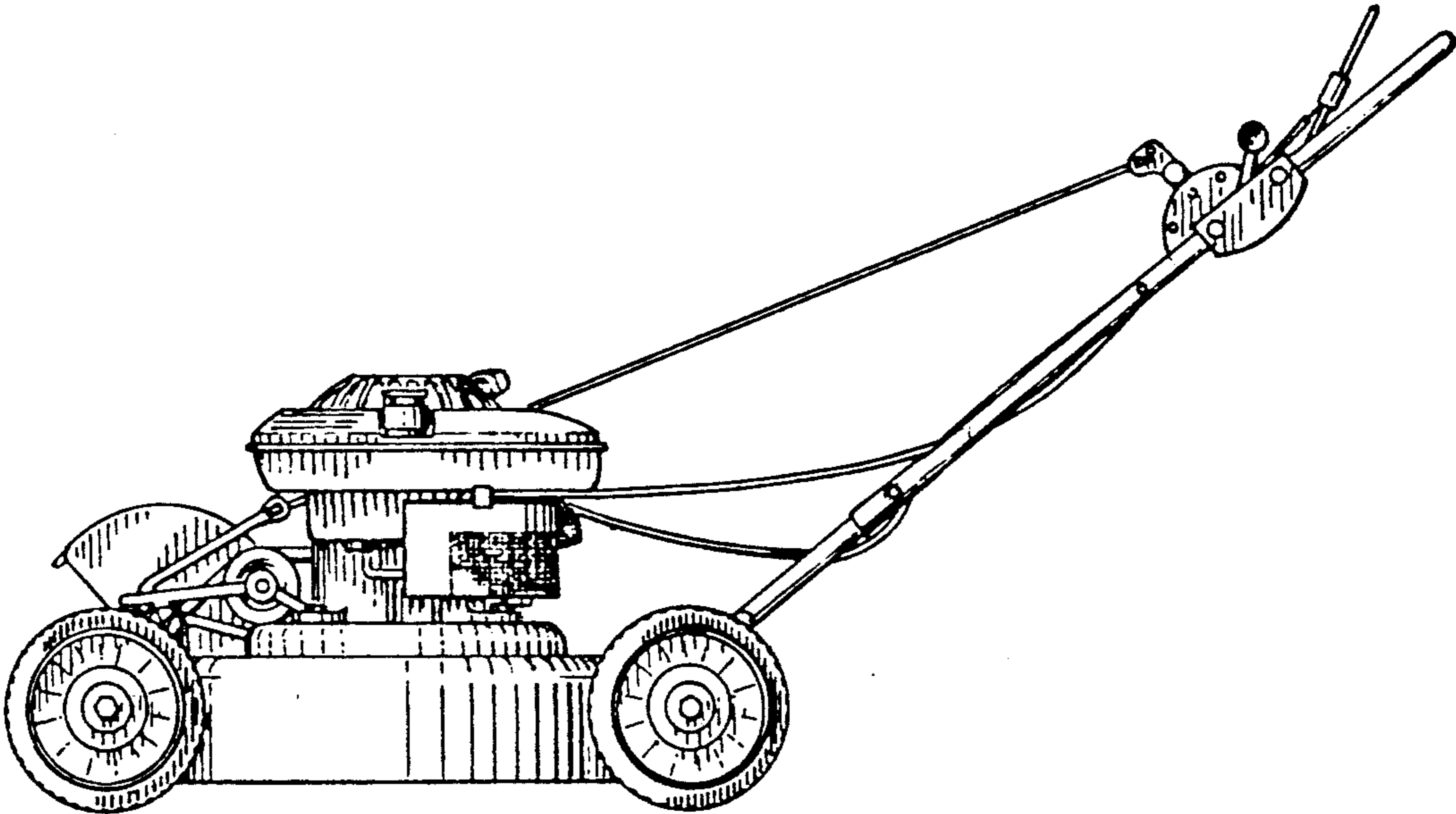


FIG. 3

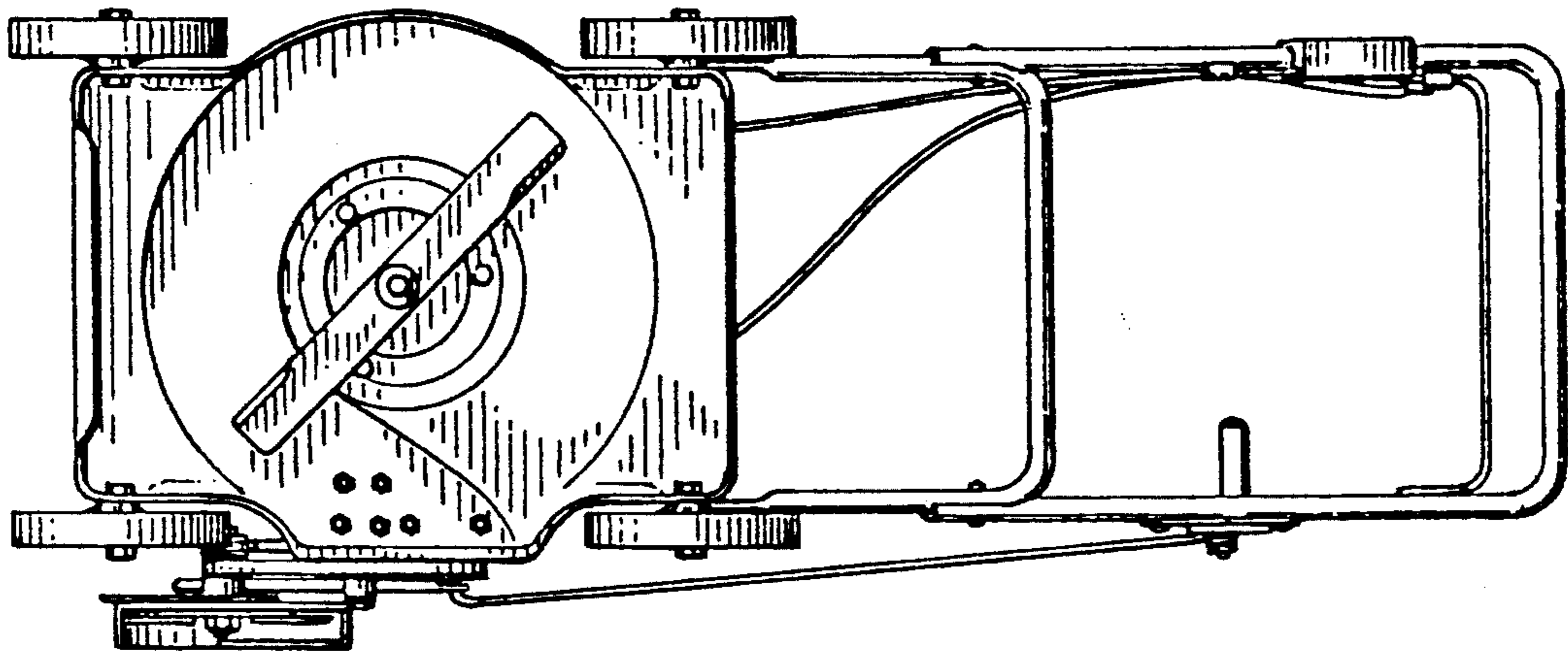


FIG. 4

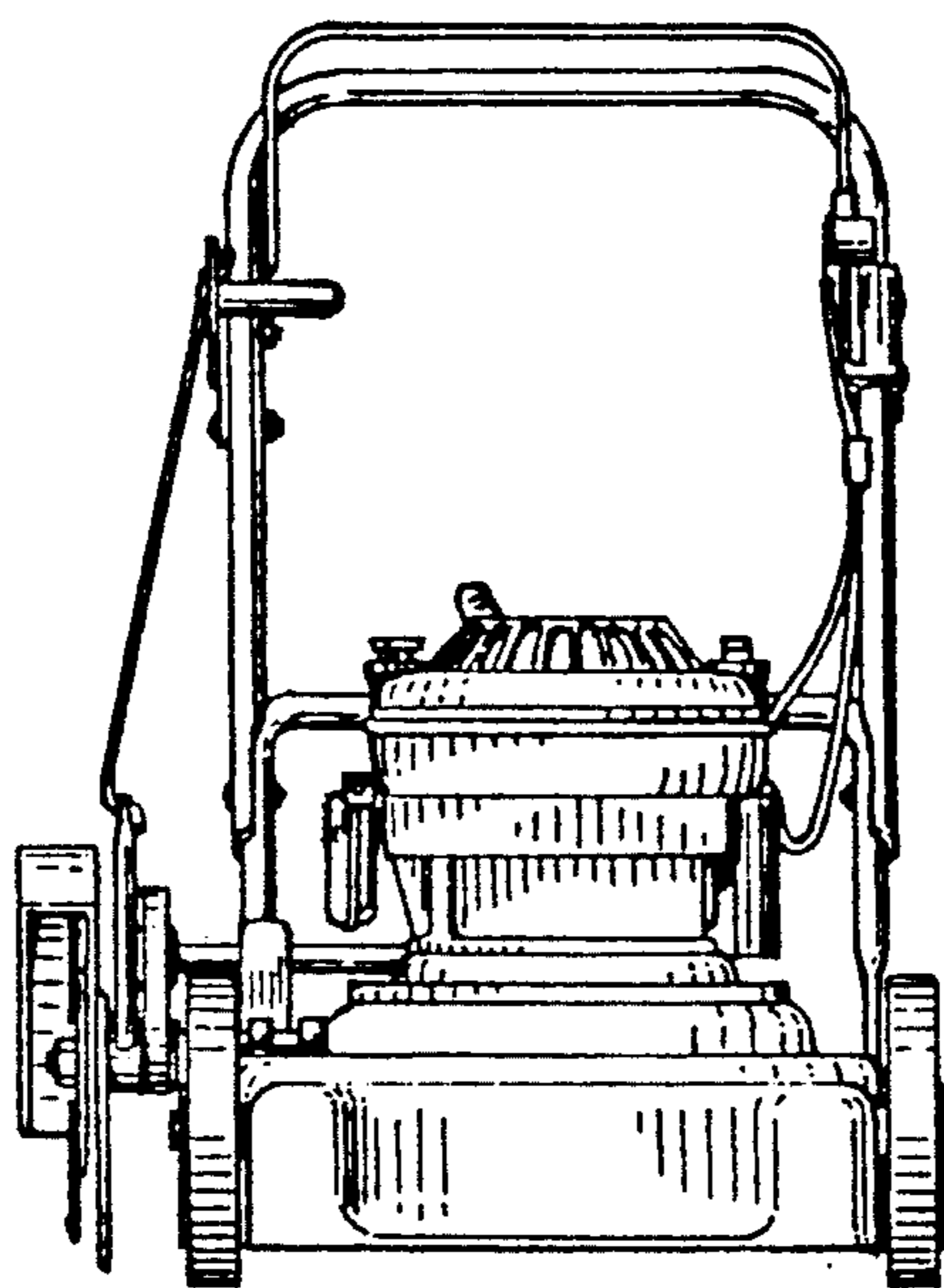


FIG. 5

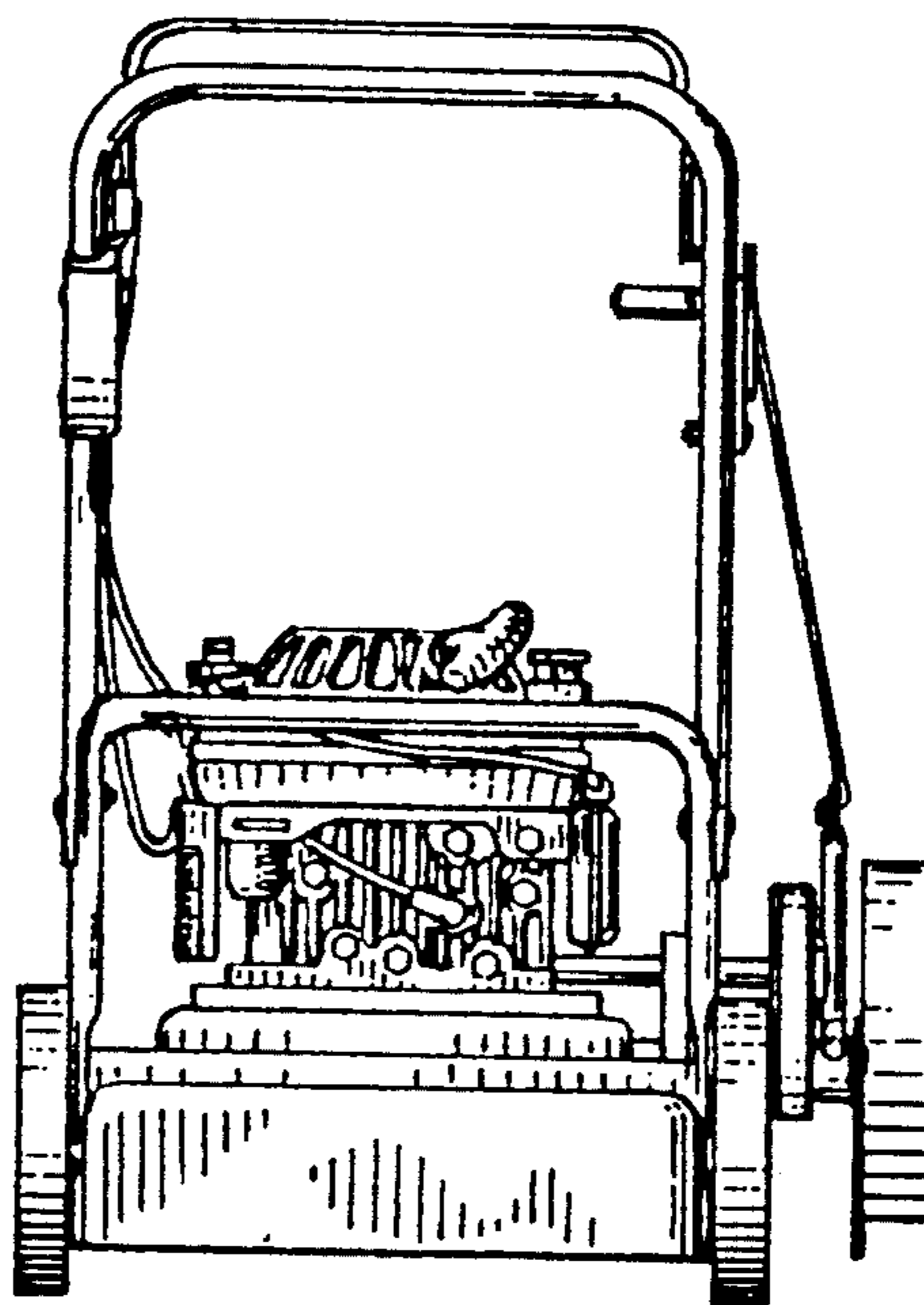


FIG. 6

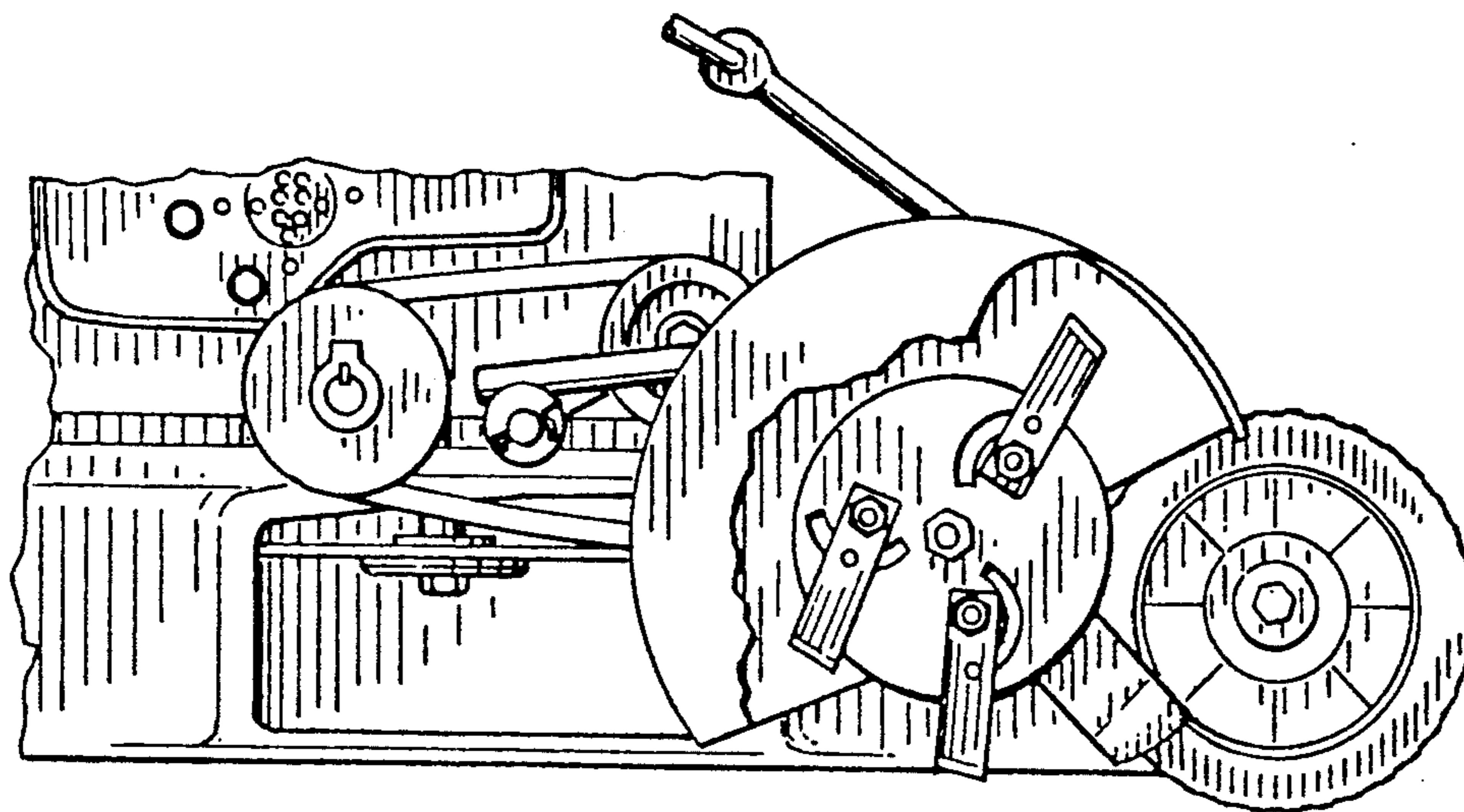


FIG. 7