



US00D347010S

United States Patent [19]

[11] Patent Number: **Des. 347,010**

Emmerling

[45] Date of Patent: **** May 17, 1994**

[54] ANTENNA

[75] Inventor: **Ronald Emmerling, Montclair, N.J.**

[73] Assignee: **Gemini Industries, Inc., Clifton, N.J.**

[**] Term: **14 Years**

[21] Appl. No.: **877,055**

[22] Filed: **May 1, 1992**

[52] U.S. Cl. **D14/230**

[58] Field of Search 343/702, 723, 805, 872,
343/873, 878, 882, 901; D14/230, 238, 188, 194,
195, 198

D. 310,671 9/1990 Weiss .
 D. 321,883 11/1991 Borchardt .
 D. 332,262 1/1993 Borchardt D14/230
 2,657,312 10/1953 Saranga .
 2,977,596 3/1961 Justice .
 3,478,361 11/1969 Middlemark .
 3,739,388 6/1973 Callaghan .

OTHER PUBLICATIONS

Home Furnishings Daily; Sep. 18, 1989; p. 148; Power Wave 600 TV antenna.

Primary Examiner—B. J. Bullock
Attorney, Agent, or Firm—Lerner, David, Littenberg, Krumholz & Mentlik

[56] References Cited

U.S. PATENT DOCUMENTS

D. 95,698 5/1935 Milliken .
 D. 156,379 12/1949 Spirt .
 D. 208,234 8/1967 Ely .
 D. 218,523 8/1970 Middlemark .
 D. 226,248 1/1973 Krusche .
 D. 226,274 2/1973 Callaghan .
 D. 238,430 1/1976 Lanson .
 D. 258,694 3/1981 de Haseth .
 D. 295,517 5/1988 Moriyama .
 D. 304,337 10/1989 Tai .
 D. 305,766 1/1990 Tai .
 D. 306,862 3/1990 Kent .
 D. 308,521 6/1990 Lonczak .

[57] CLAIM

The ornamental design for an antenna, as shown and described.

DESCRIPTION

FIG. 1 is a front elevational view of the antenna of the present design;

FIG. 2 is a rear elevational view thereof;

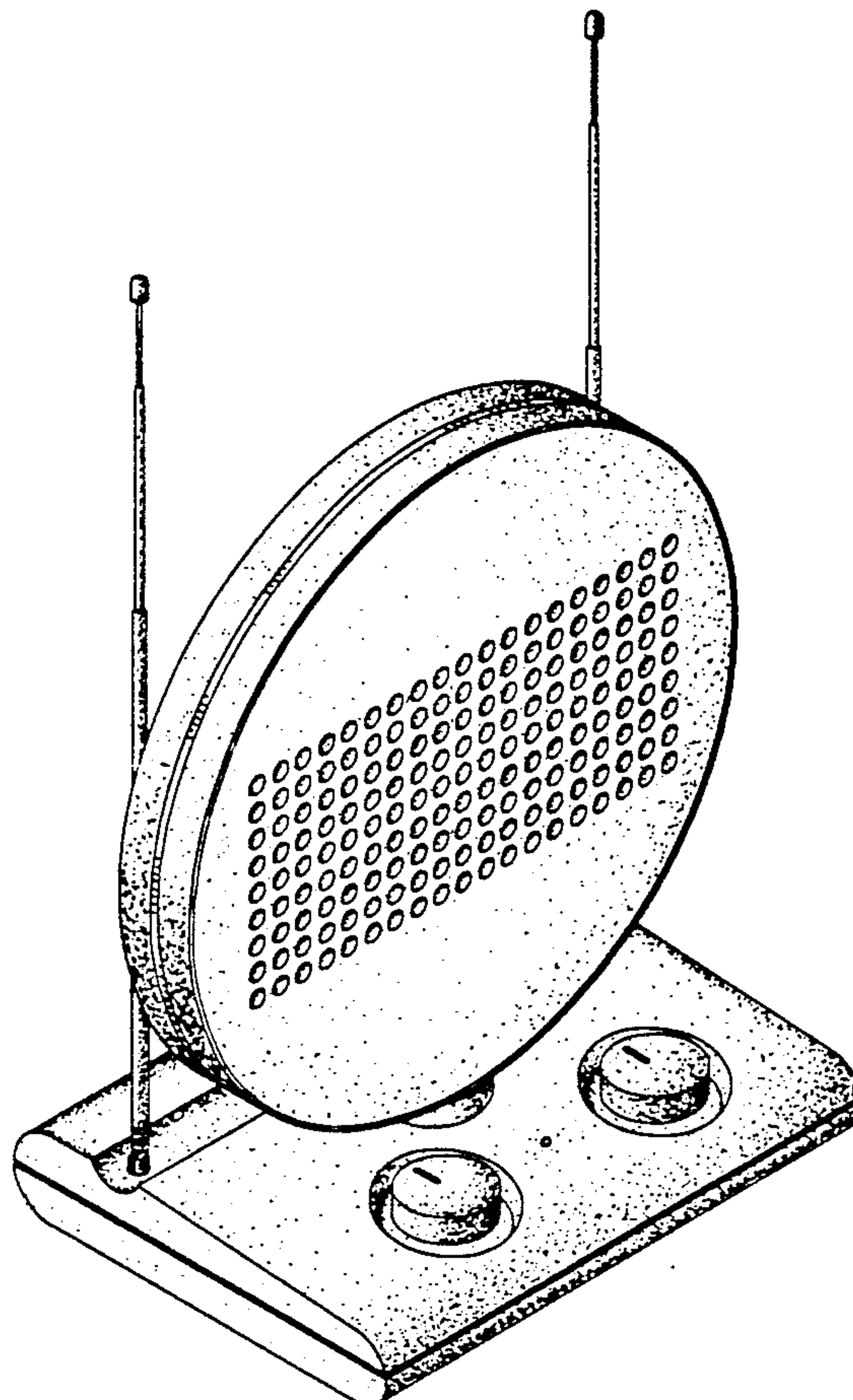
FIG. 3 is a right-side elevational view thereof;

FIG. 4 is a left-side elevational view thereof;

FIG. 5 is a top plan view thereof;

FIG. 6 is a bottom plan view thereof; and,

FIG. 7 is a perspective view thereof.



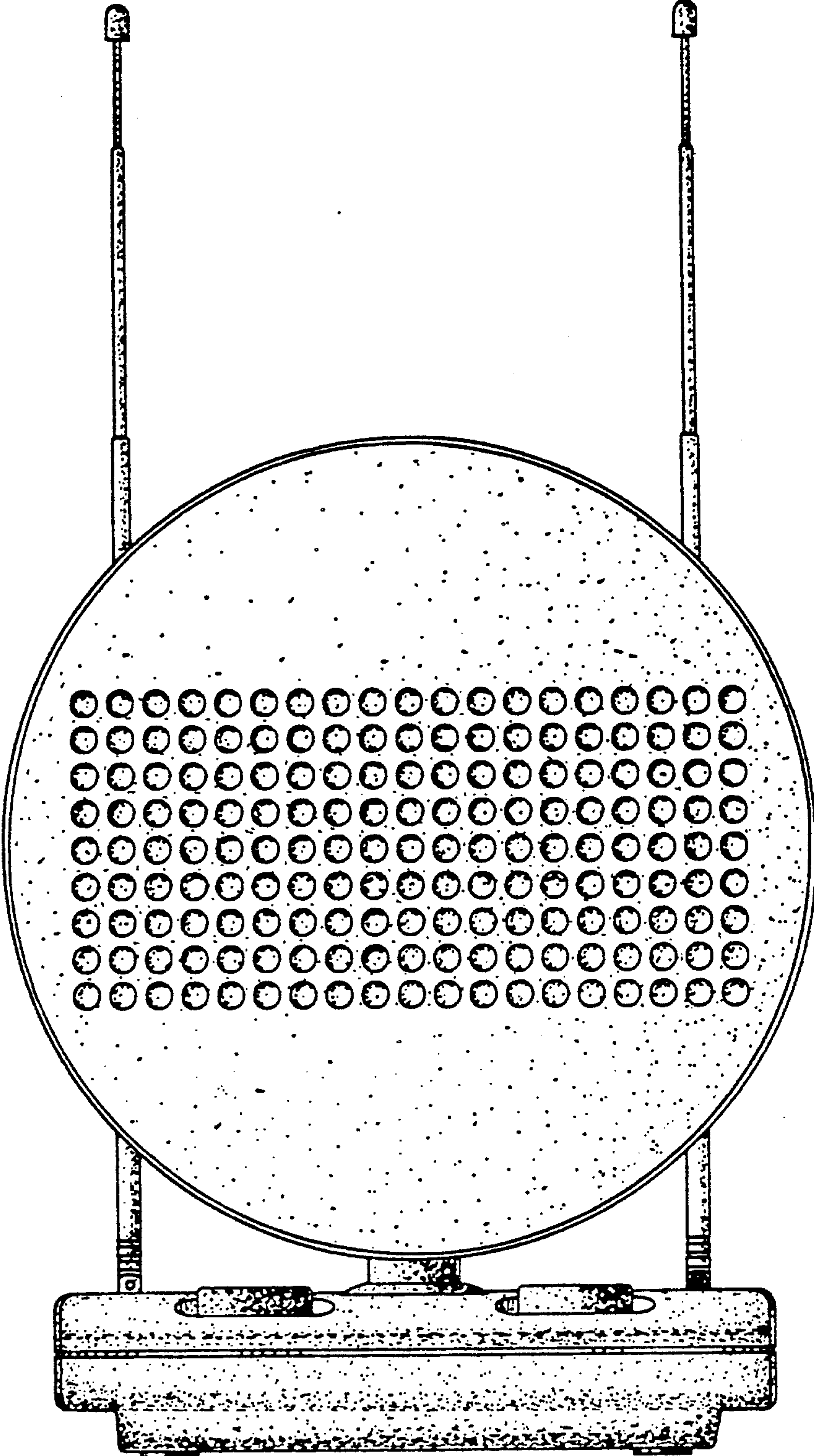


FIG. 1

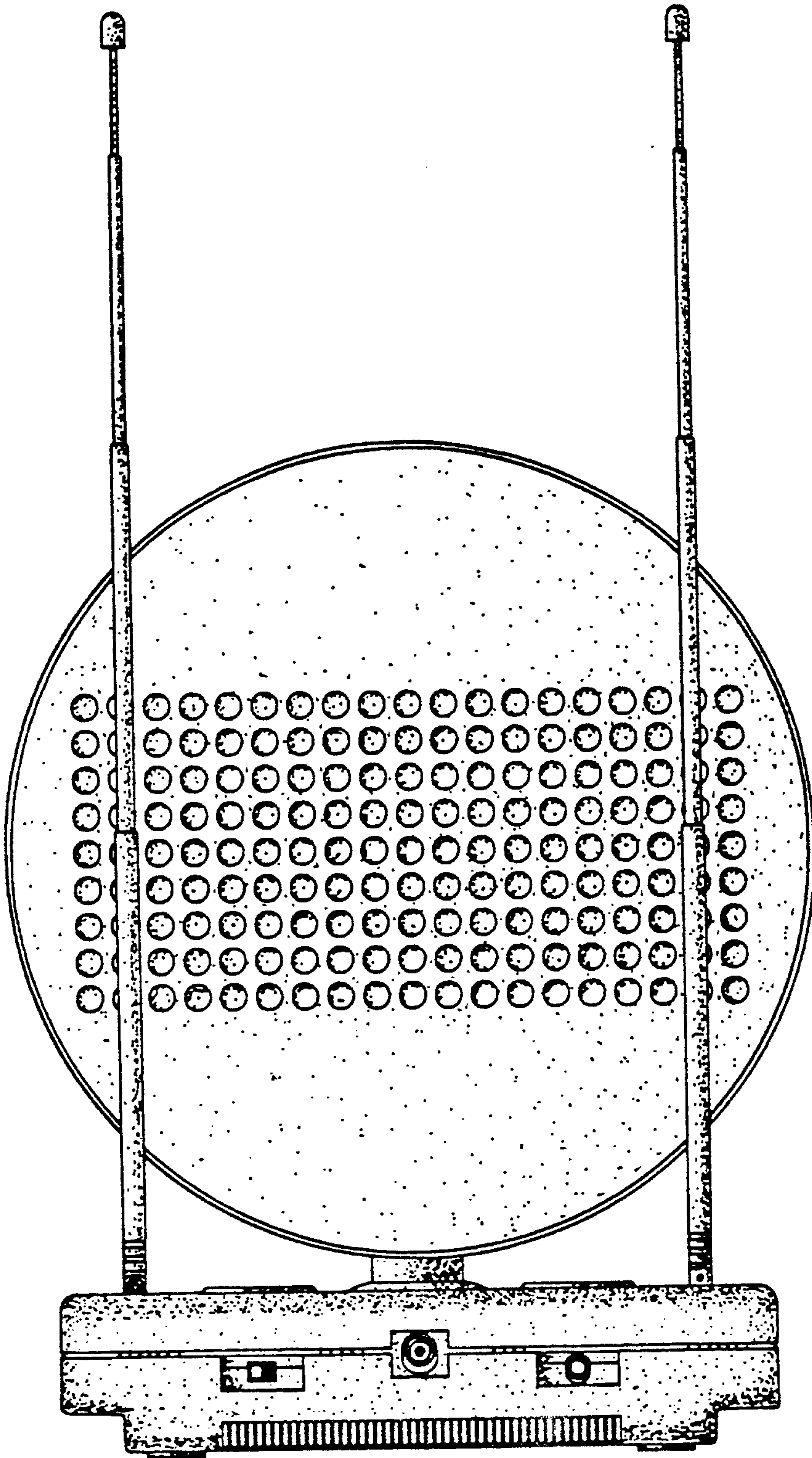


FIG. 2

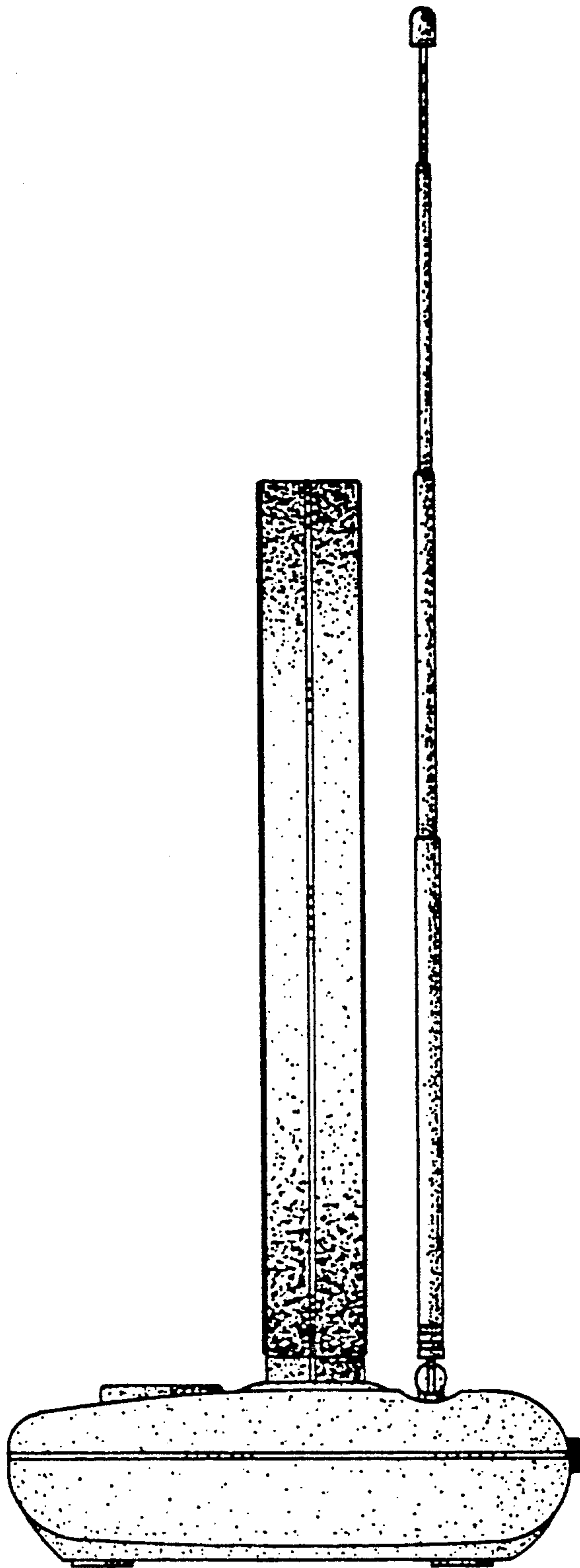


FIG. 3

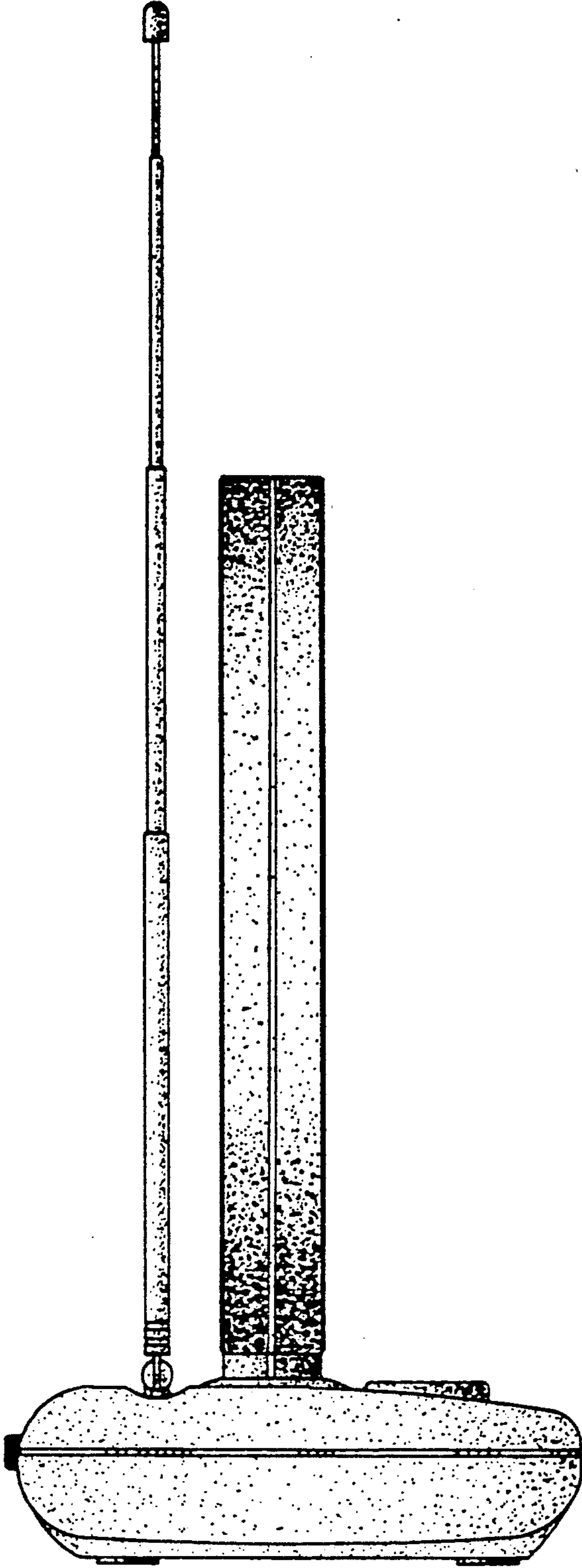


FIG. 4

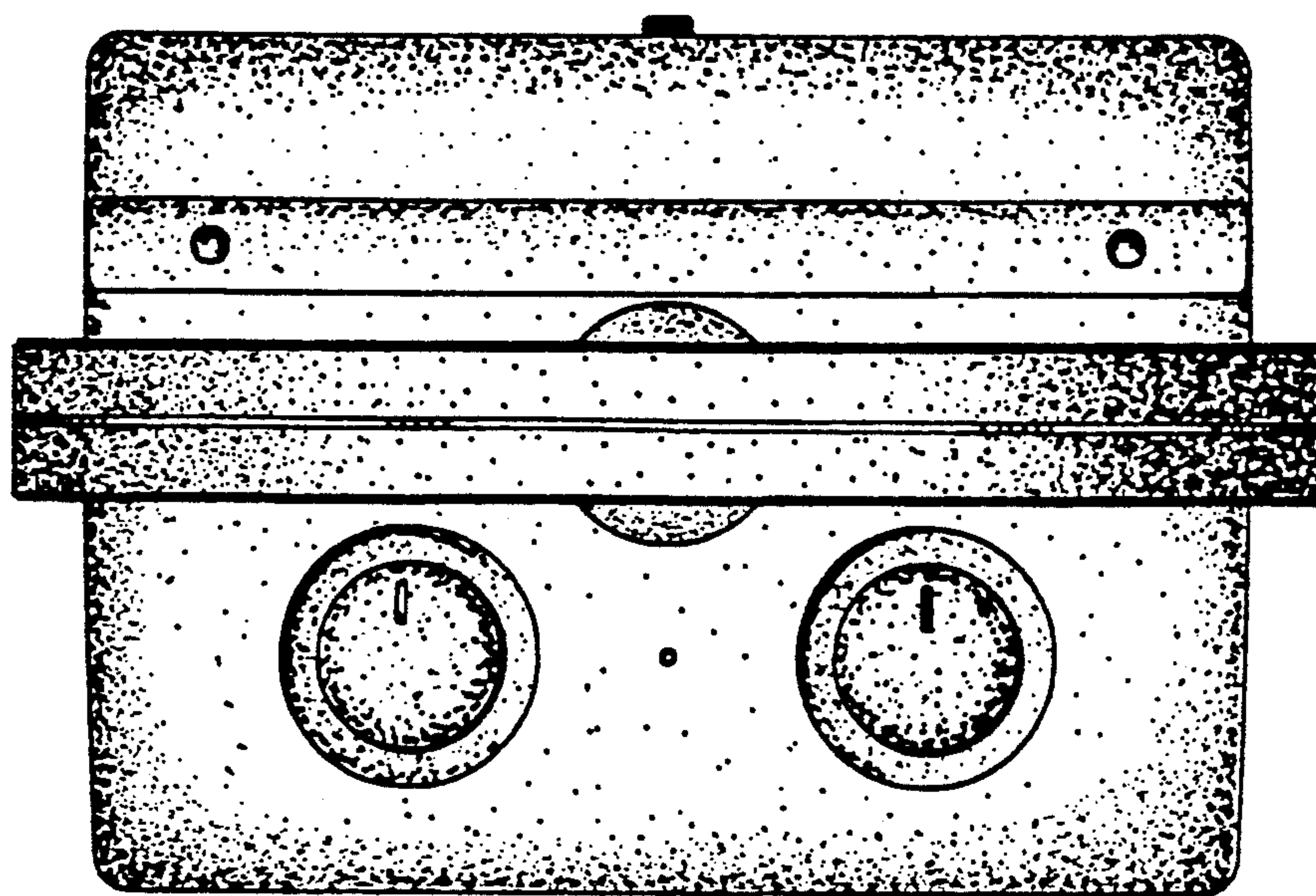


FIG. 5

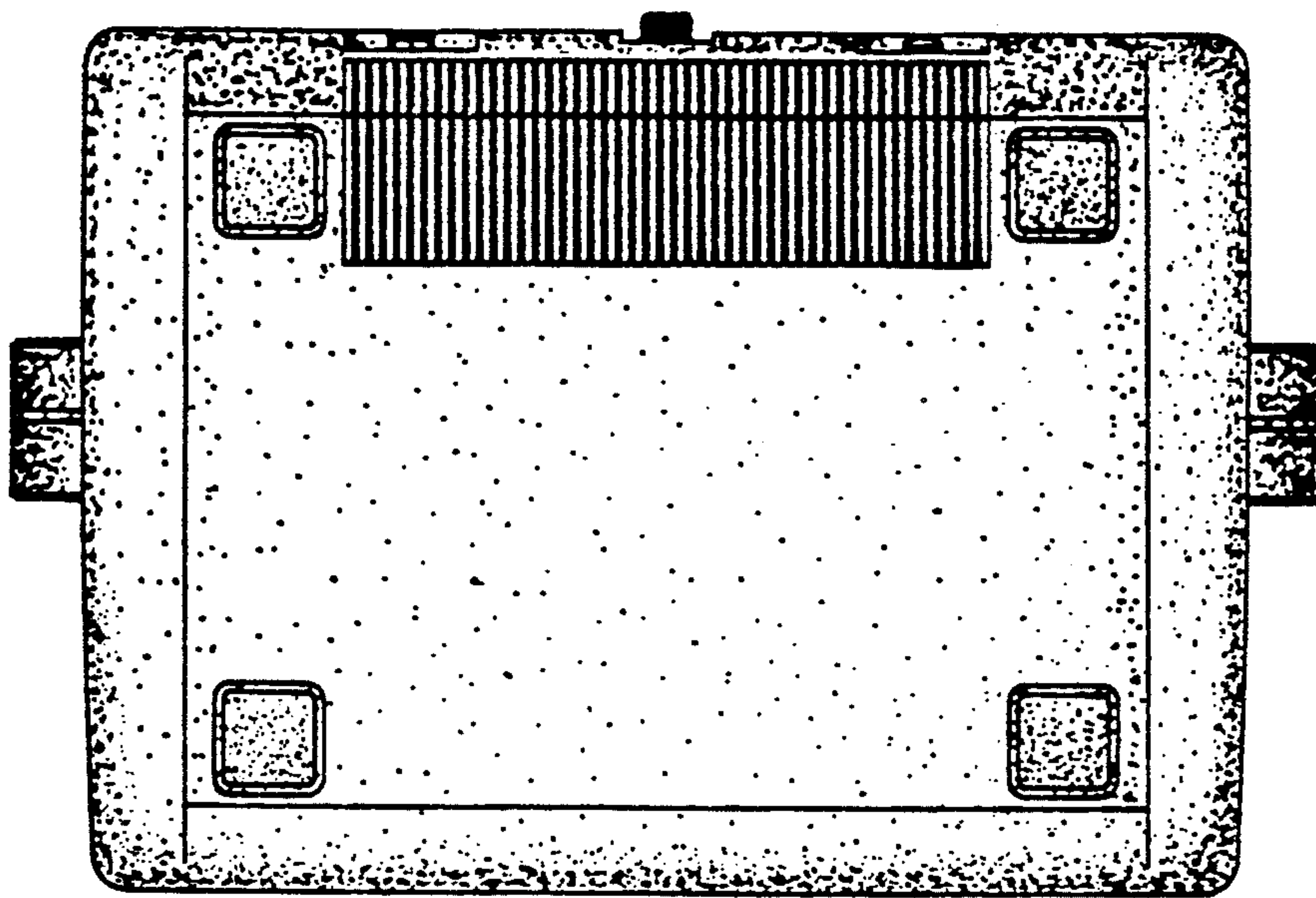


FIG. 6

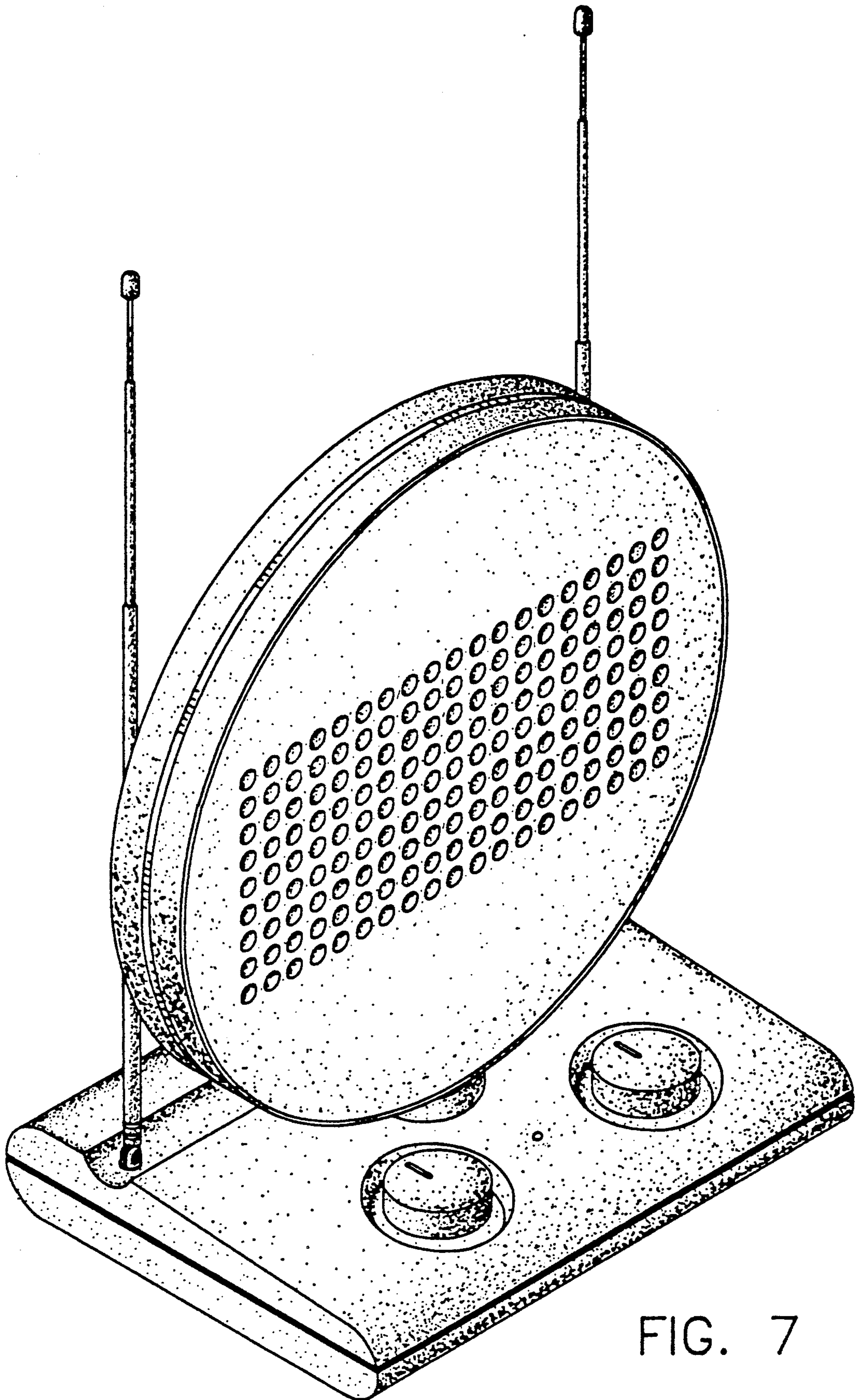


FIG. 7