



US00D347009S

United States Patent [19]

Lindeman et al.

[11] Patent Number: **Des. 347,009**

[45] Date of Patent: **** May 17, 1994**

[54] **COMMUNICATIONS PAGER**

[75] Inventors: **Phillip E. Lindeman, Roselle; Shrirang Jambhekar, Schaumburg; Leonid Soren, Lincolnwood, all of Ill.**

[73] Assignee: **Motorola, Inc., Schaumburg, Ill.**

[**] Term: **14 Years**

[21] Appl. No.: **805,713**

[22] Filed: **Dec. 6, 1991**

[52] U.S. Cl. **D14/191**

[58] Field of Search 455/92, 100, 128, 344, 455/350, 351; 340/311.1; D14/124, 188, 191, 192, 299

[56] **References Cited**

U.S. PATENT DOCUMENTS

- D. 272,534 2/1984 Wong et al. D14/191
- D. 303,528 9/1989 Scheid et al. D14/191
- D. 303,529 9/1989 Scheid et al. D14/191
- D. 307,012 4/1990 Berkjeij D14/191

- D. 308,869 6/1990 Tell D14/191
- D. 314,382 2/1991 Scheid et al. D14/191
- D. 319,590 9/1991 Houlihan D10/31
- D. 321,692 11/1991 Siddoway et al. D14/226
- D. 321,877 11/1991 Scheid et al. D14/191
- D. 322,464 12/1991 Scheid et al. D14/191

Primary Examiner—Theodore M. Shooman
Attorney, Agent, or Firm—Darleen J. Stockley

[57] **CLAIM**

The ornamental design for a communications pager, as shown and described.

DESCRIPTION

FIG. 1 is a perspective view of the front, top, and left side of a communications pager showing our new design;

FIG. 2 is a right elevational view thereof;

FIG. 3 is a rear elevational view thereof; and,

FIG. 4 is a bottom plan view thereof.

The broken line showing of operative buttons is for illustrative purposes only and forms no part of the claimed design.

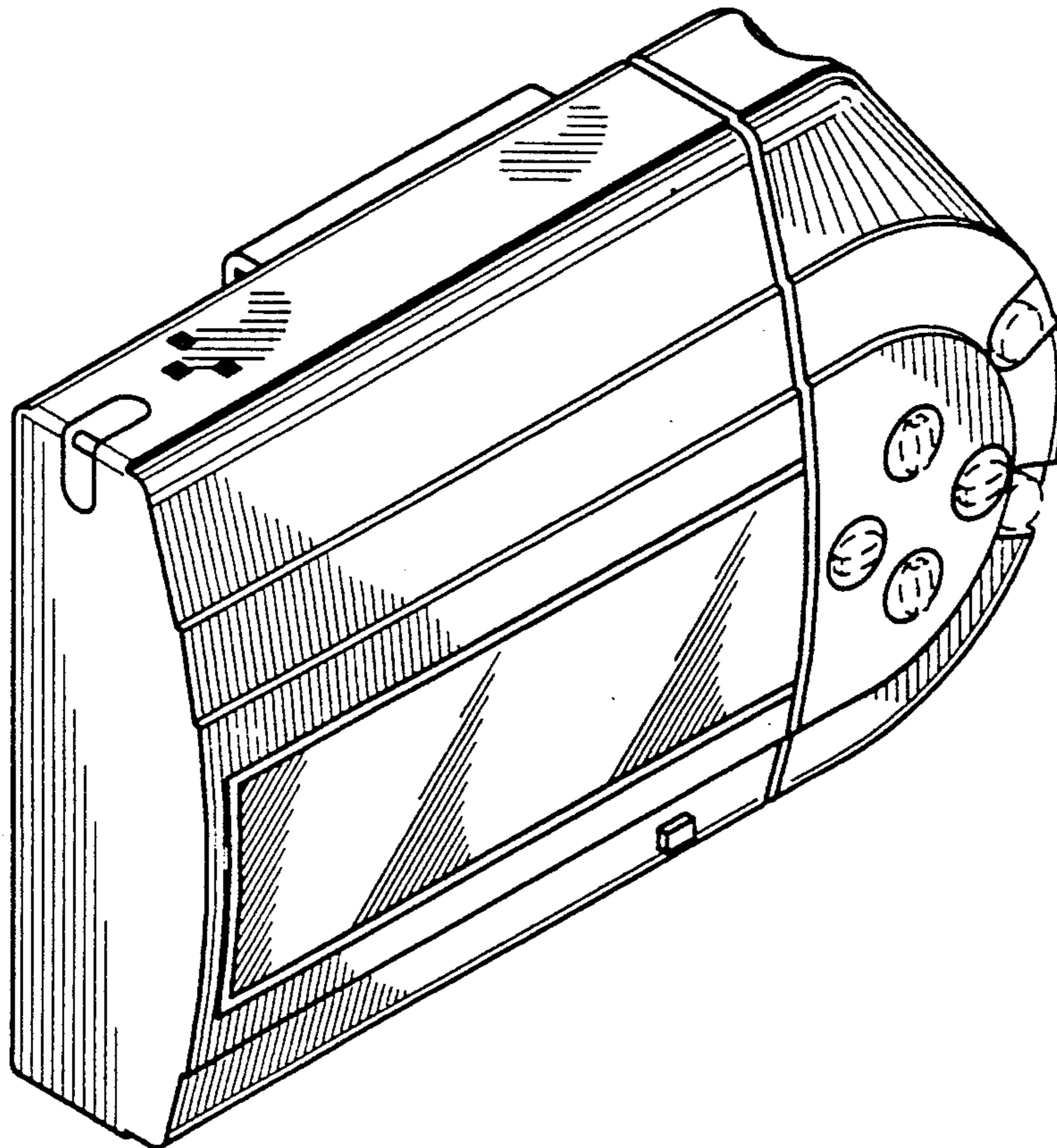


FIG. 1

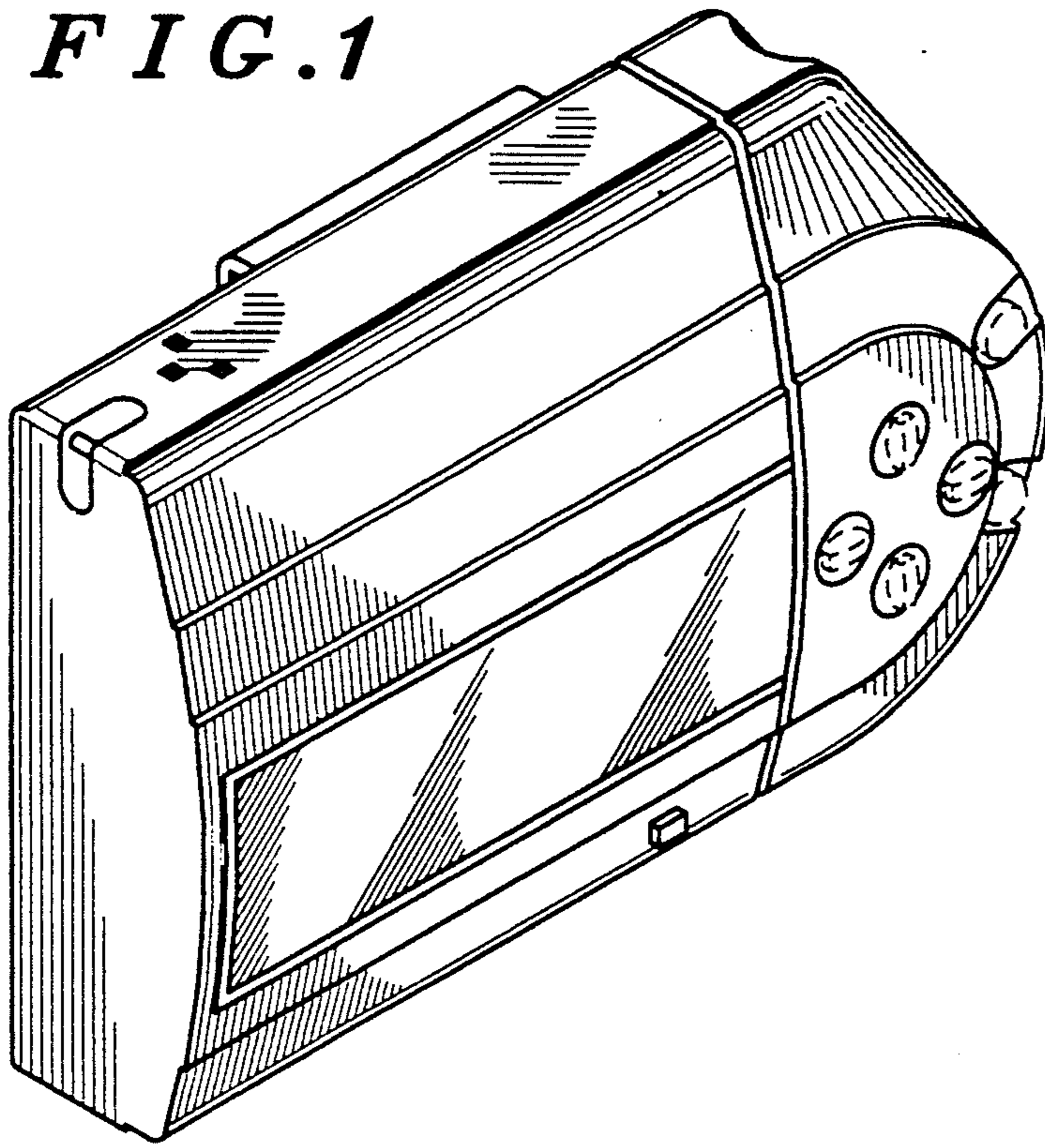


FIG. 2

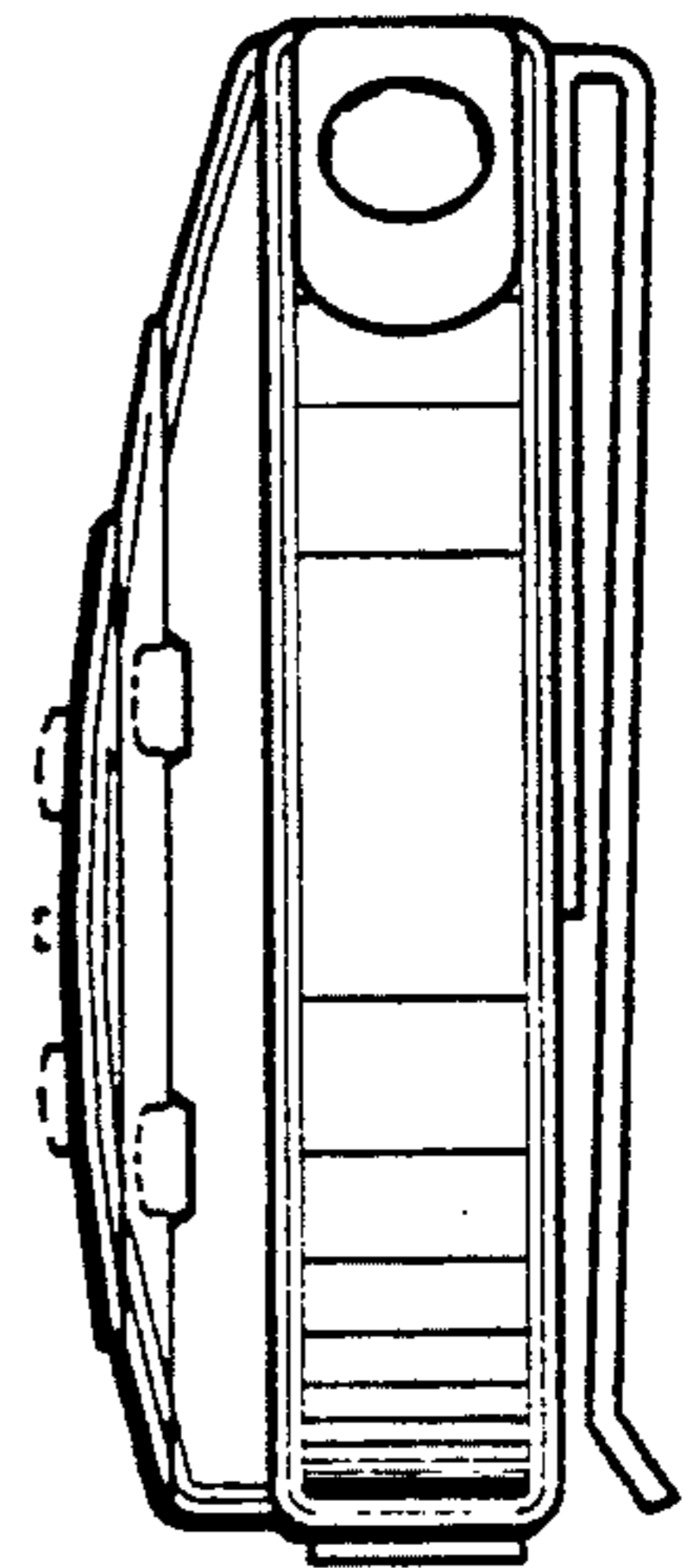


FIG. 3

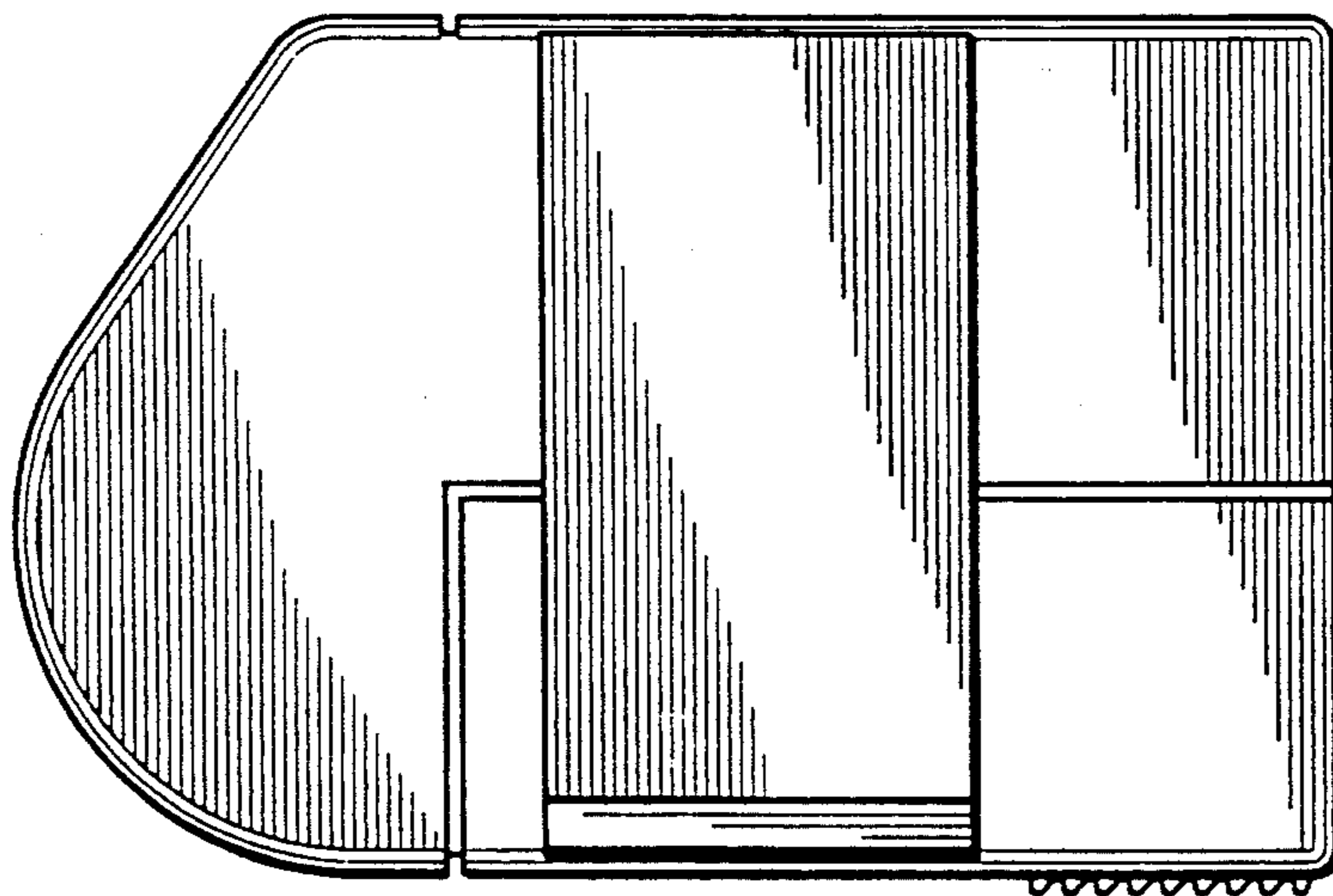


FIG. 4

