



US00D347001S

# United States Patent [19]

[11] Patent Number: **Des. 347,001**

Lee

[45] Date of Patent: **\*\* May 17, 1994**

[54] **COMPUTER DISPLAY MONITOR**

[75] Inventor: **Matt S. Lee, Taipei, Taiwan**

[73] Assignee: **Compal Electronics, Inc., Taipei, Taiwan**

[\*\*] Term: **14 Years**

[21] Appl. No.: **616**

[22] Filed: **Oct. 21, 1992**

[52] U.S. Cl. .... **D14/113**

[58] Field of Search ..... **340/700, 706; 248/917-924; 358/249, 254, 255; D14/100, 101, 106, 113, 124-127**

[56] **References Cited**

**U.S. PATENT DOCUMENTS**

- D. 314,563 2/1991 Maurer et al. .... D14/113
- D. 316,547 4/1991 Faranda et al. .... D14/113
- D. 319,821 9/1991 Kawaguchi ..... D14/113
- D. 326,260 5/1992 Oshima ..... D14/113

- D. 330,017 10/1992 Falkner et al. .... D14/113
- D. 332,784 1/1993 Wiseman et al. .... D14/113

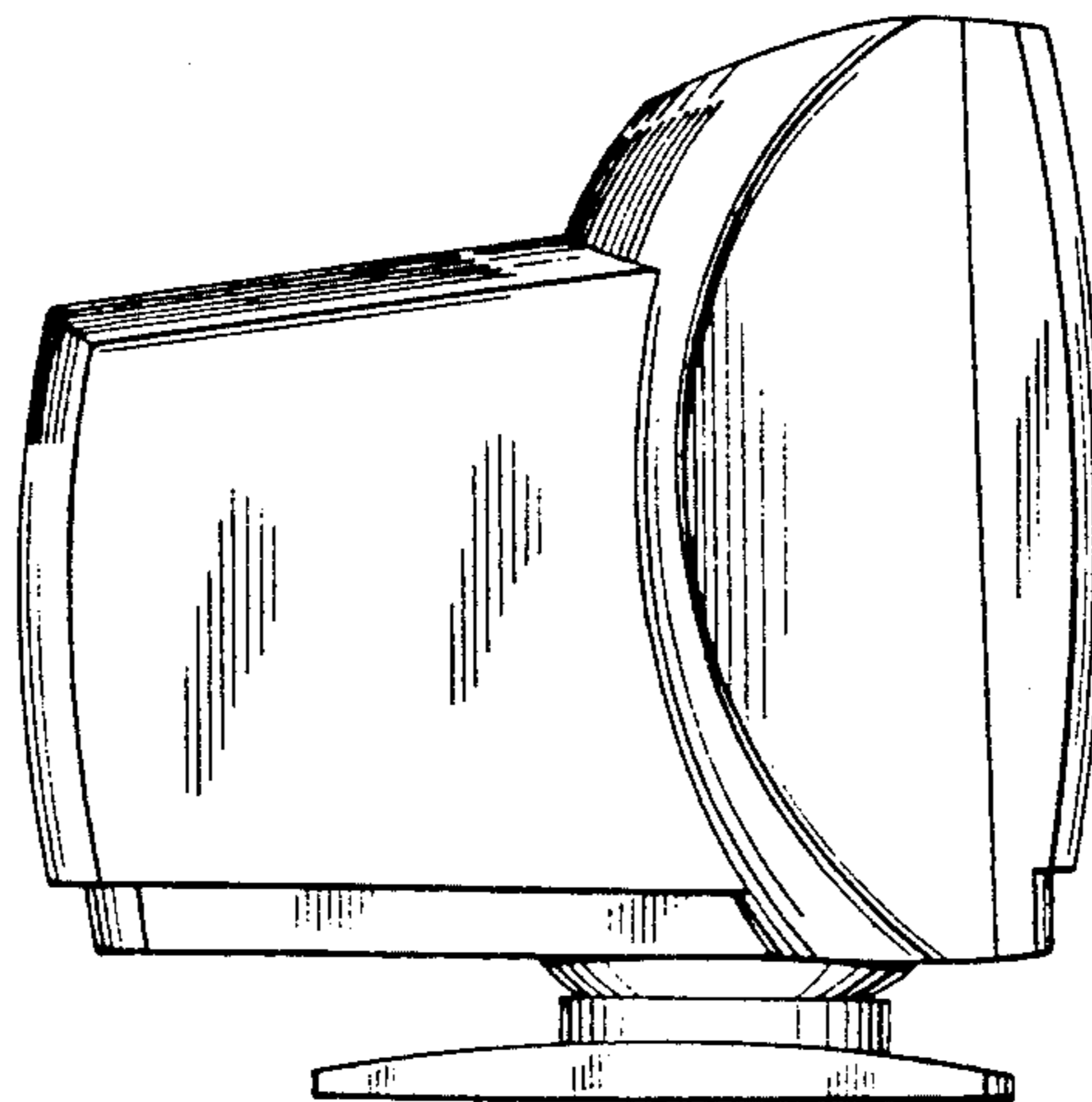
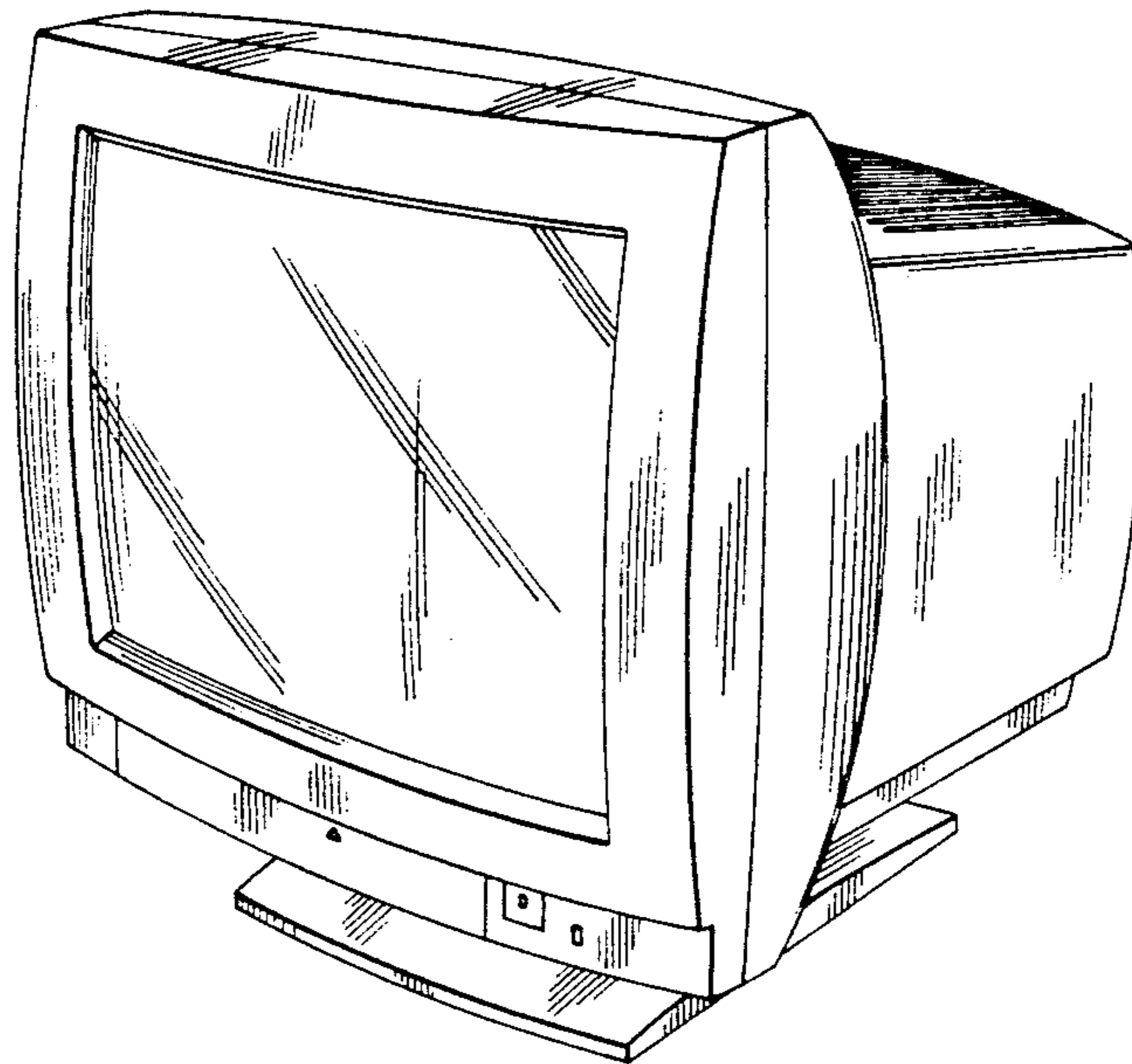
*Primary Examiner*—James M. Gandy  
*Assistant Examiner*—Freda S. Nunn  
*Attorney, Agent, or Firm*—Jacobson, Price, Holman & Stern

[57] **CLAIM**

The ornamental design for a computer display monitor, as shown and described.

**DESCRIPTION**

FIG. 1 is an enlarged top front and right side perspective view of a computer display monitor showing my new design;  
FIG. 2 is a front elevational view thereof;  
FIG. 3 is a rear elevational view thereof;  
FIG. 4 is a left side elevational view thereof;  
FIG. 5 is a right side elevational view thereof;  
FIG. 6 is a top view thereof; and,  
FIG. 7 is a bottom view thereof.



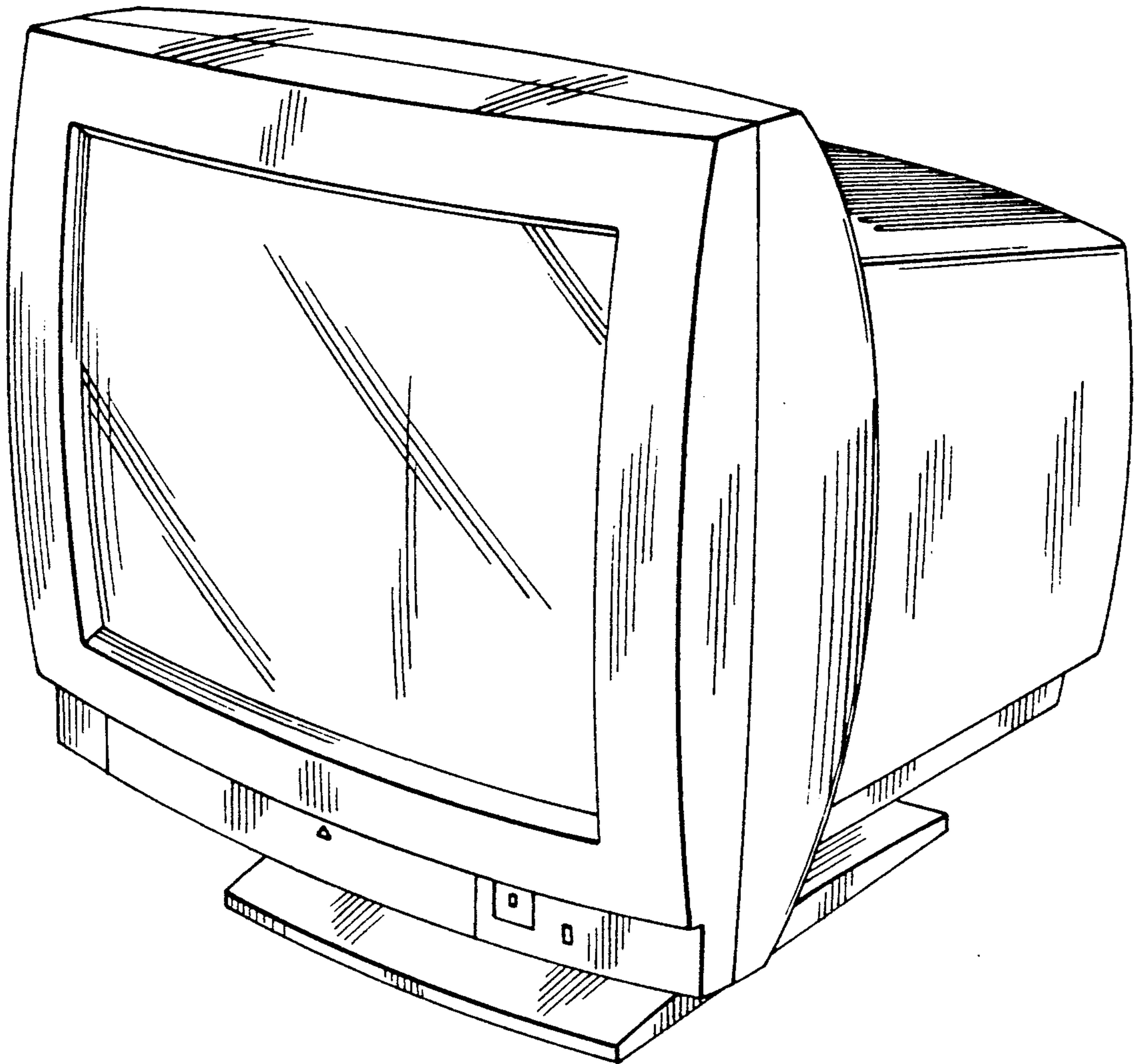


FIG. 1

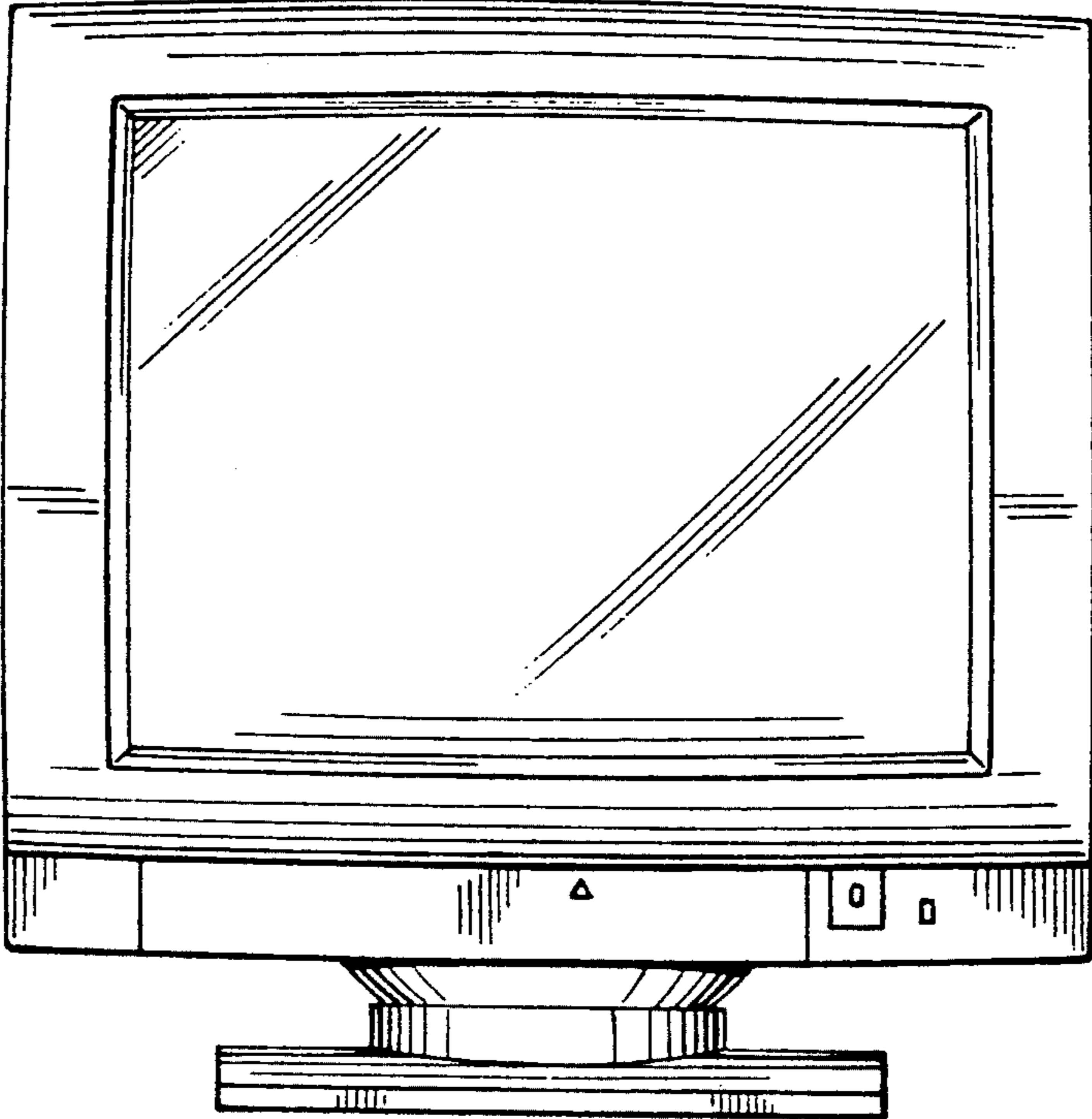


FIG. 2

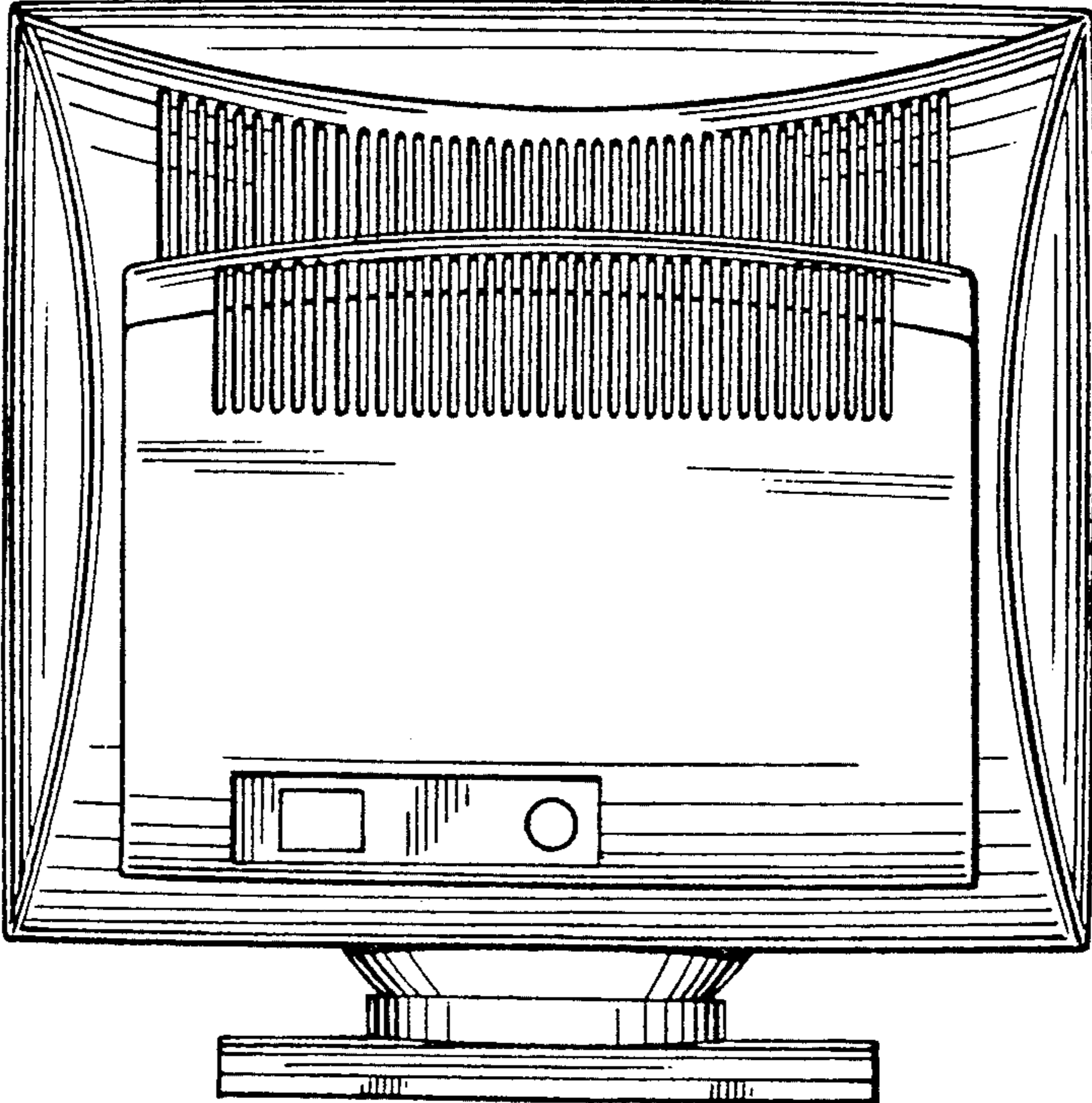


FIG. 3

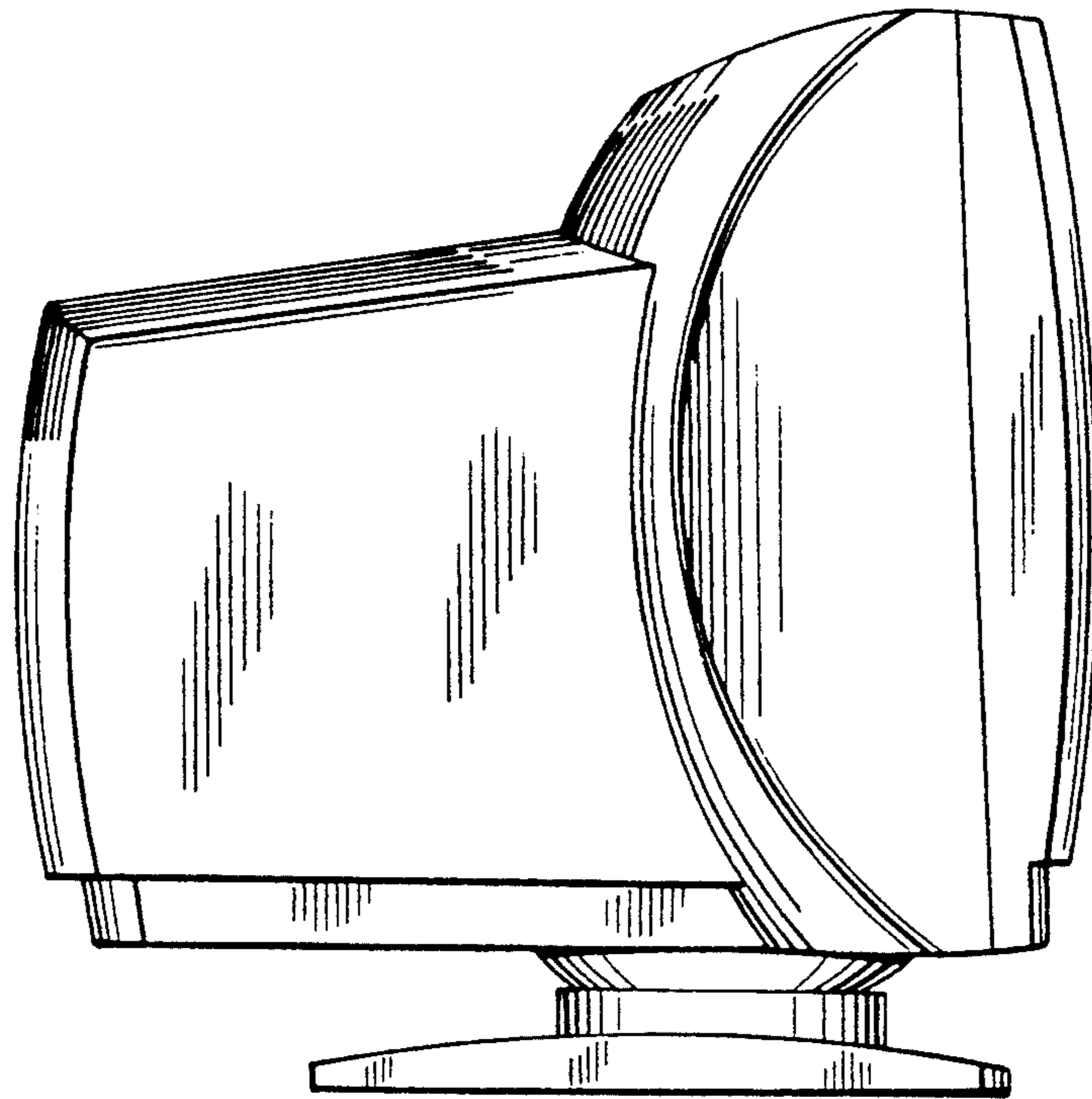


FIG. 4

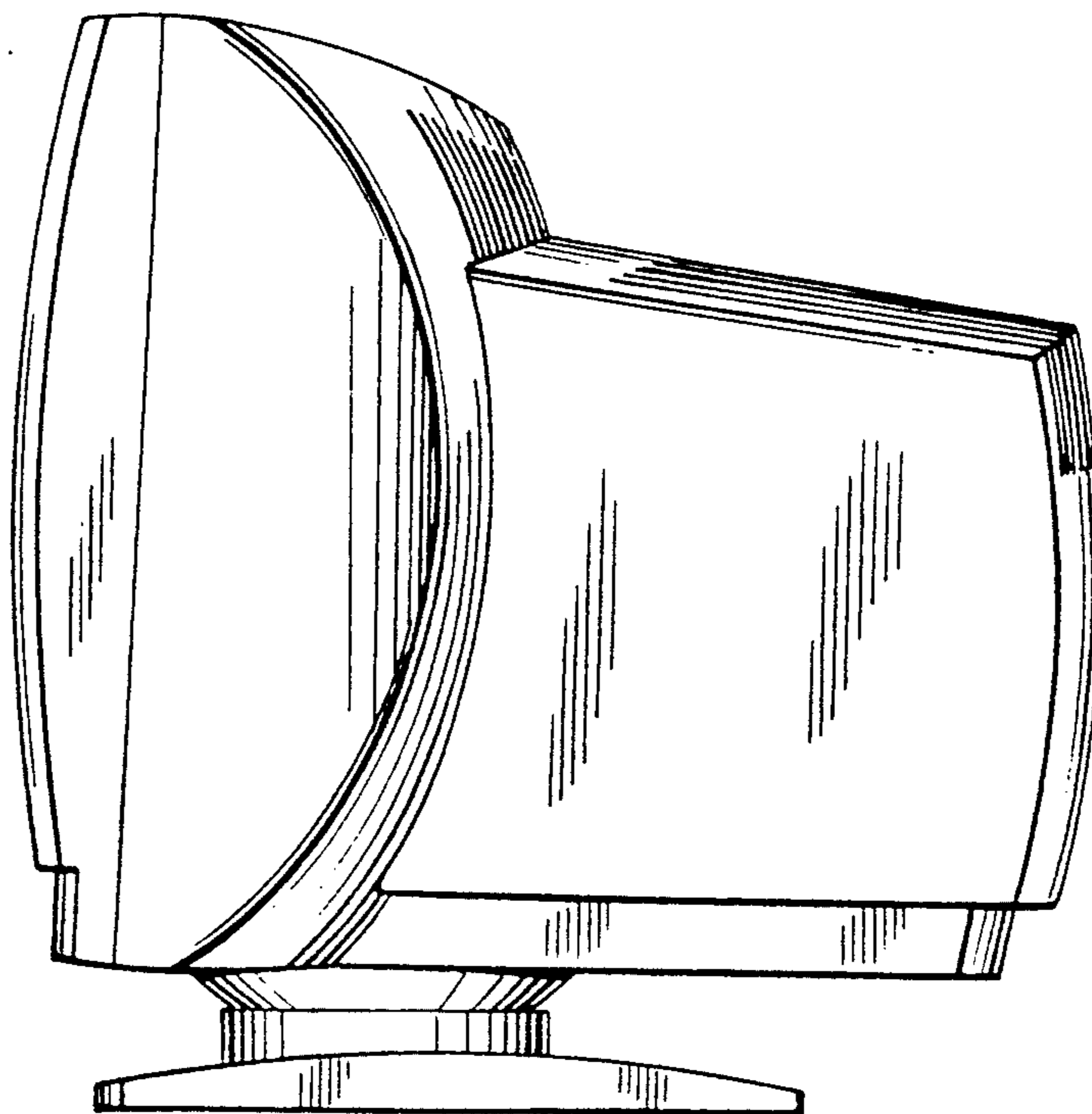


FIG. 5

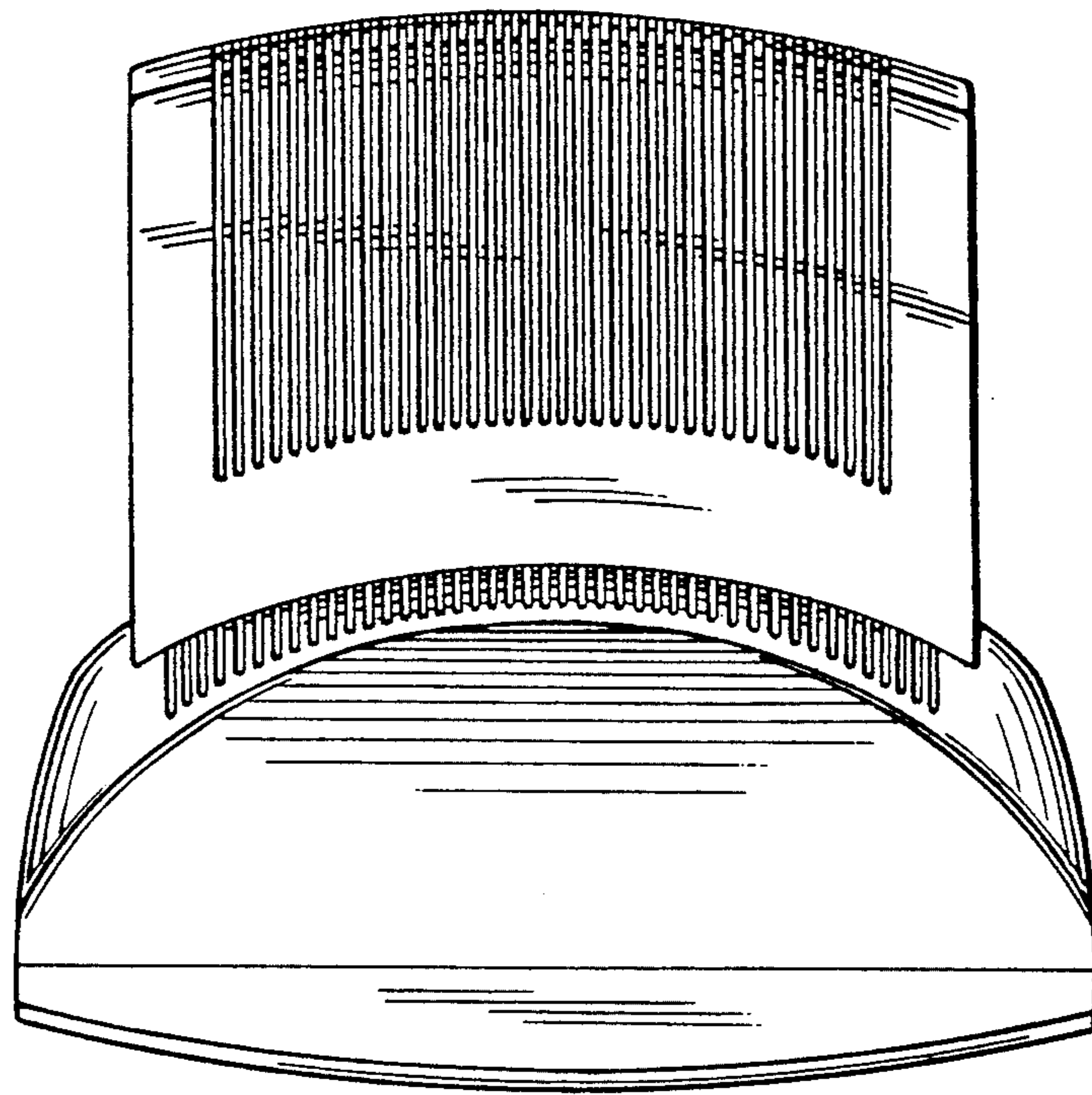


FIG. 6

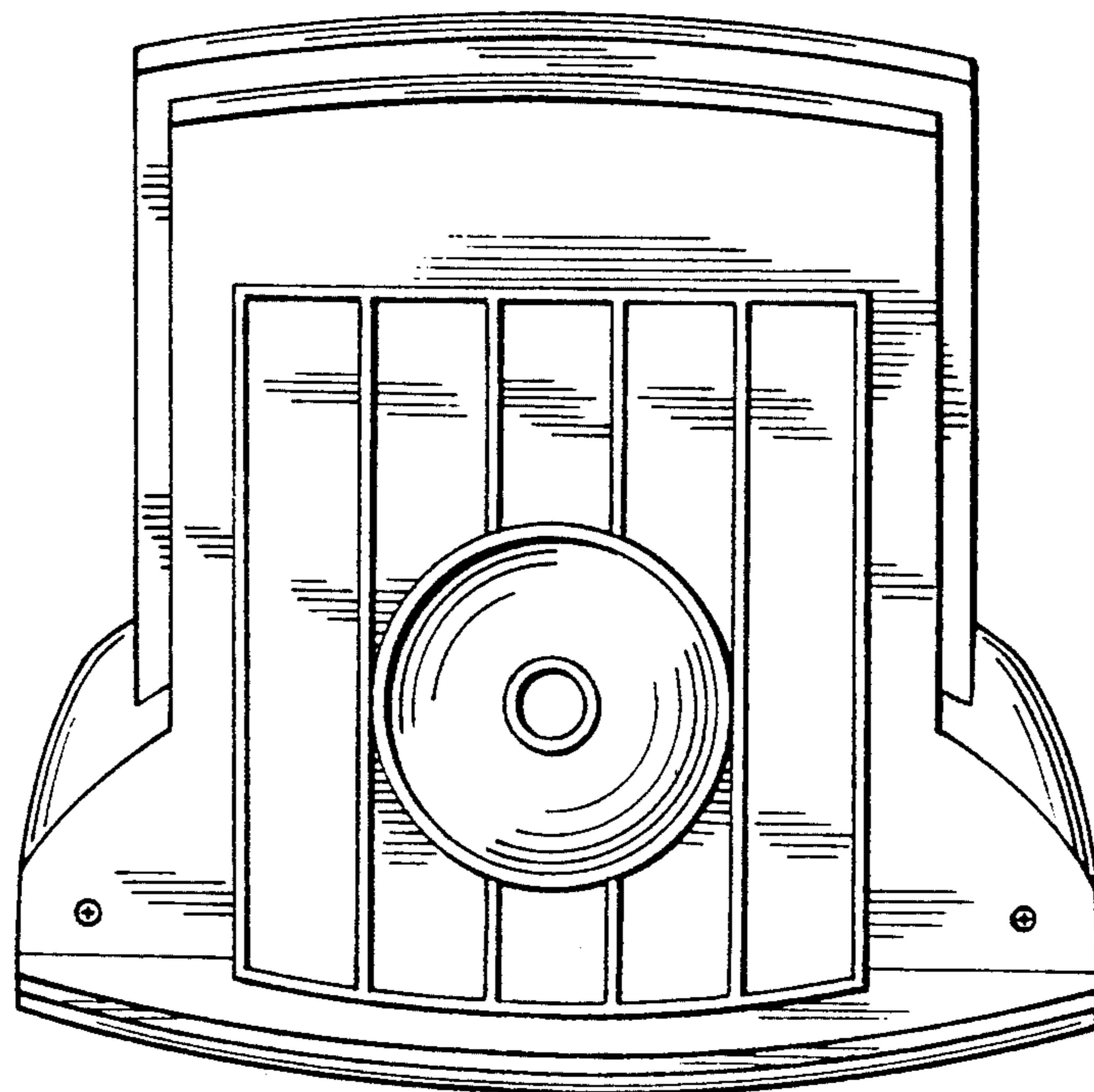


FIG. 7