



US00D346999S

# United States Patent [19]

Meyerson et al.

[11] Patent Number: **Des. 346,999**

[45] Date of Patent: **\*\* May 17, 1994**

[54] **COMBINED HIGHLY INTEGRATED PORTABLE ELECTRONIC WORK SLATE AND TELEPHONE**

[75] Inventors: **Robert F. Meyerson, Captiva Island, Fla.; Yung-Fu Chang, Medina, Ohio**

[73] Assignee: **Teletransaction Corporation, Akron, Ohio**

[\*\*] Term: **14 Years**

[21] Appl. No.: **32**

[22] Filed: **Oct. 5, 1992**

[52] U.S. Cl. .... **D14/100; D14/144**

[58] Field of Search ..... **345/156, 168; 364/708, 364/709.04; 361/390, 395; 178/18, 19; D6/225; D14/100, 106, 113, 115, 142, 144, 252; D19/52,**  
60

[56] **References Cited**

**U.S. PATENT DOCUMENTS**

- D. 270,061 8/1983 Ackeret ..... D16/225 X
- D. 270,062 8/1983 Ackeret ..... D16/225 X
- D. 270,063 8/1983 Ackeret ..... D16/225 X
- D. 314,372 2/1991 Morris ..... D14/106

- D. 315,549 3/1991 Clough et al. .... D14/100
- D. 319,433 8/1991 Pearce ..... D14/105 X
- D. 338,656 8/1993 Spayde et al. .... D14/100

**FOREIGN PATENT DOCUMENTS**

- 803268 12/1990 Japan ..... D14/et al.

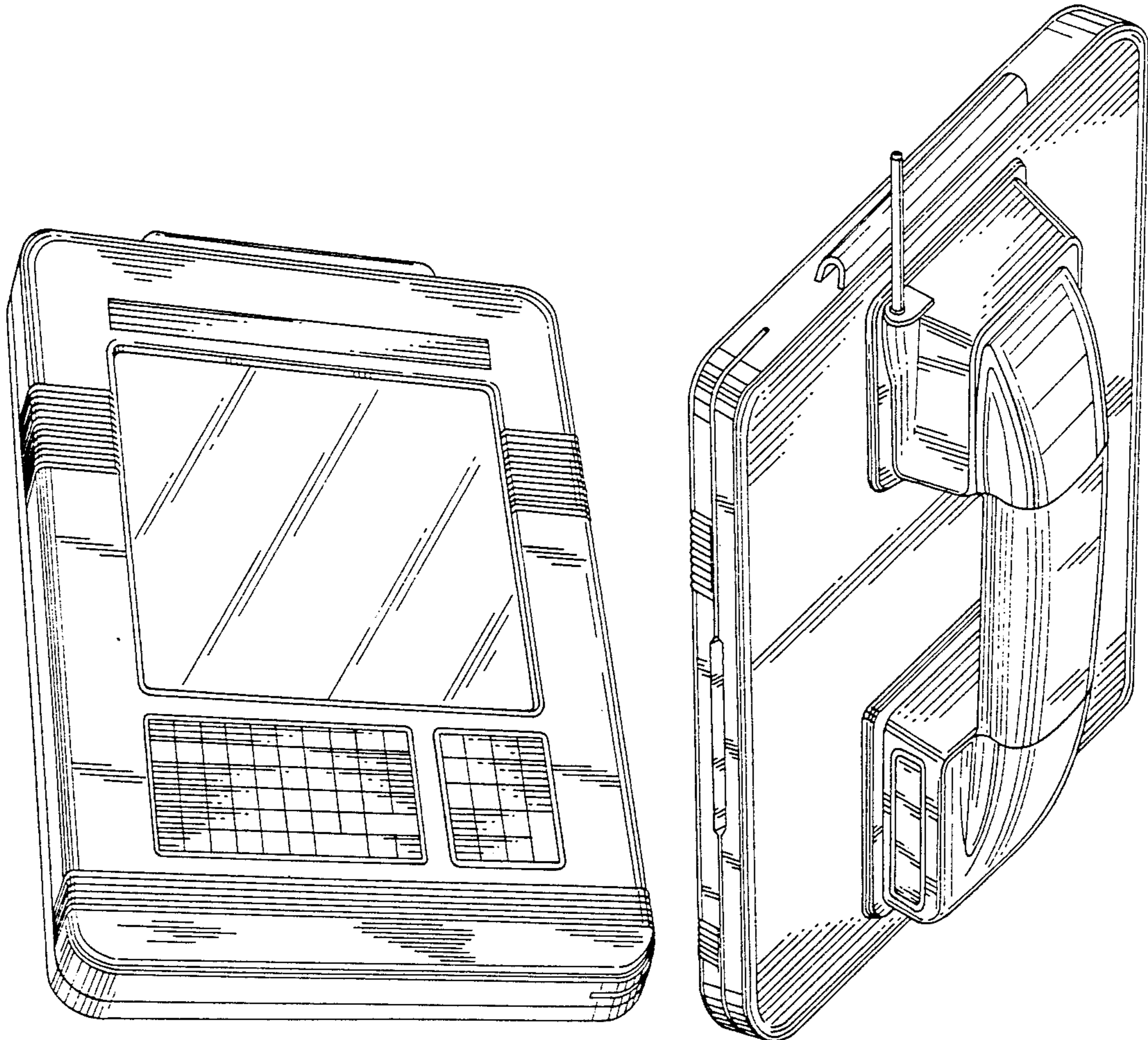
*Primary Examiner*—James M. Gandy  
*Assistant Examiner*—Freda S. Nunn  
*Attorney, Agent, or Firm*—Fay, Sharpe, Beall, Fagan, Minnich & McKee

[57] **CLAIM**

The ornamental design for a combined highly integrated portable electronic work slate and telephone, as shown and described.

**DESCRIPTION**

FIG. 1 is a slightly enlarged front perspective view of a combined highly integrated portable electronic work slate and telephone showing our new design; FIG. 2 is a rear view thereof; FIG. 3 is a left side view thereof; FIG. 4 is a right side view thereof; FIG. 5 is a top view; and, FIG. 6 is a bottom view.



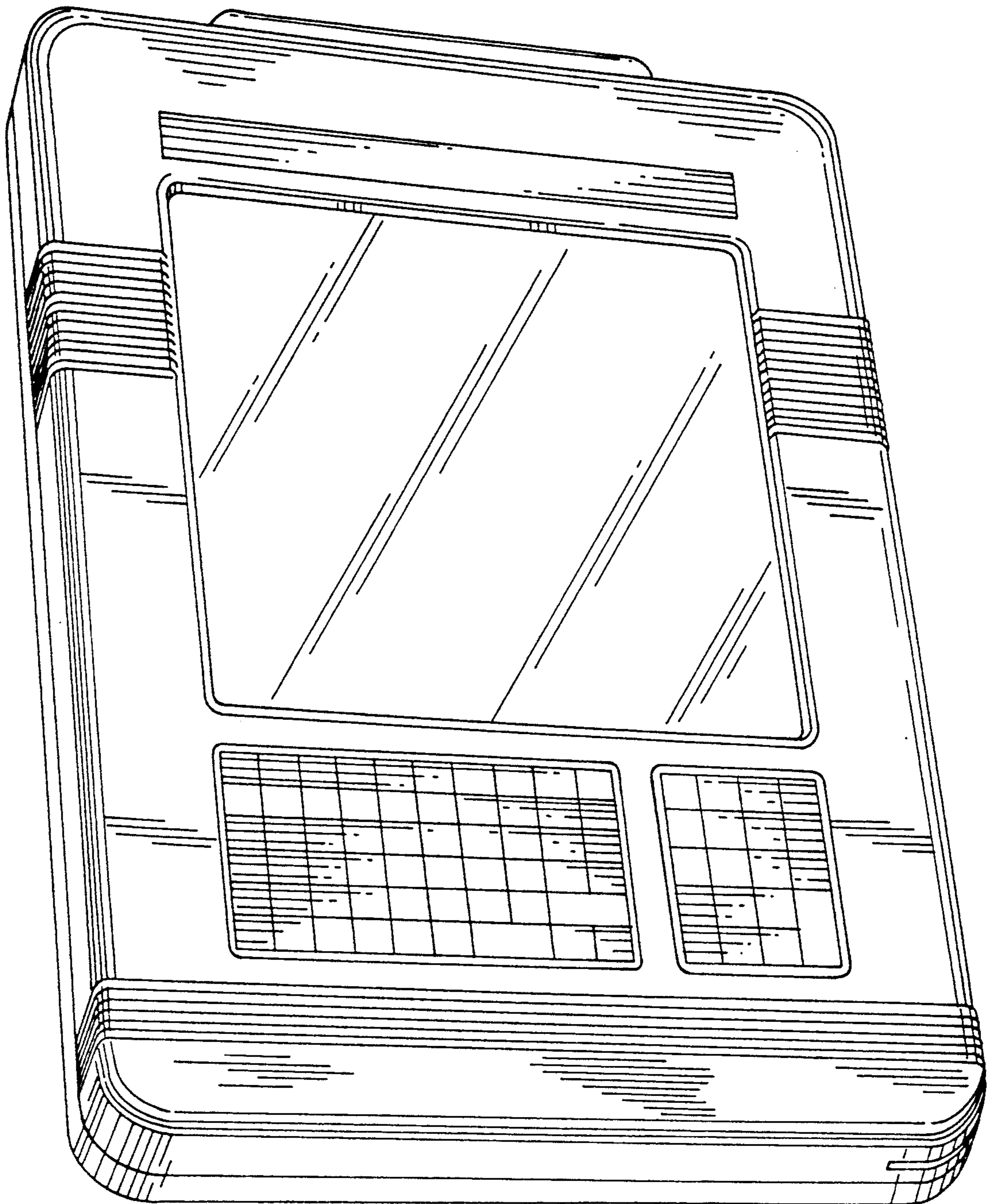


FIG. 1

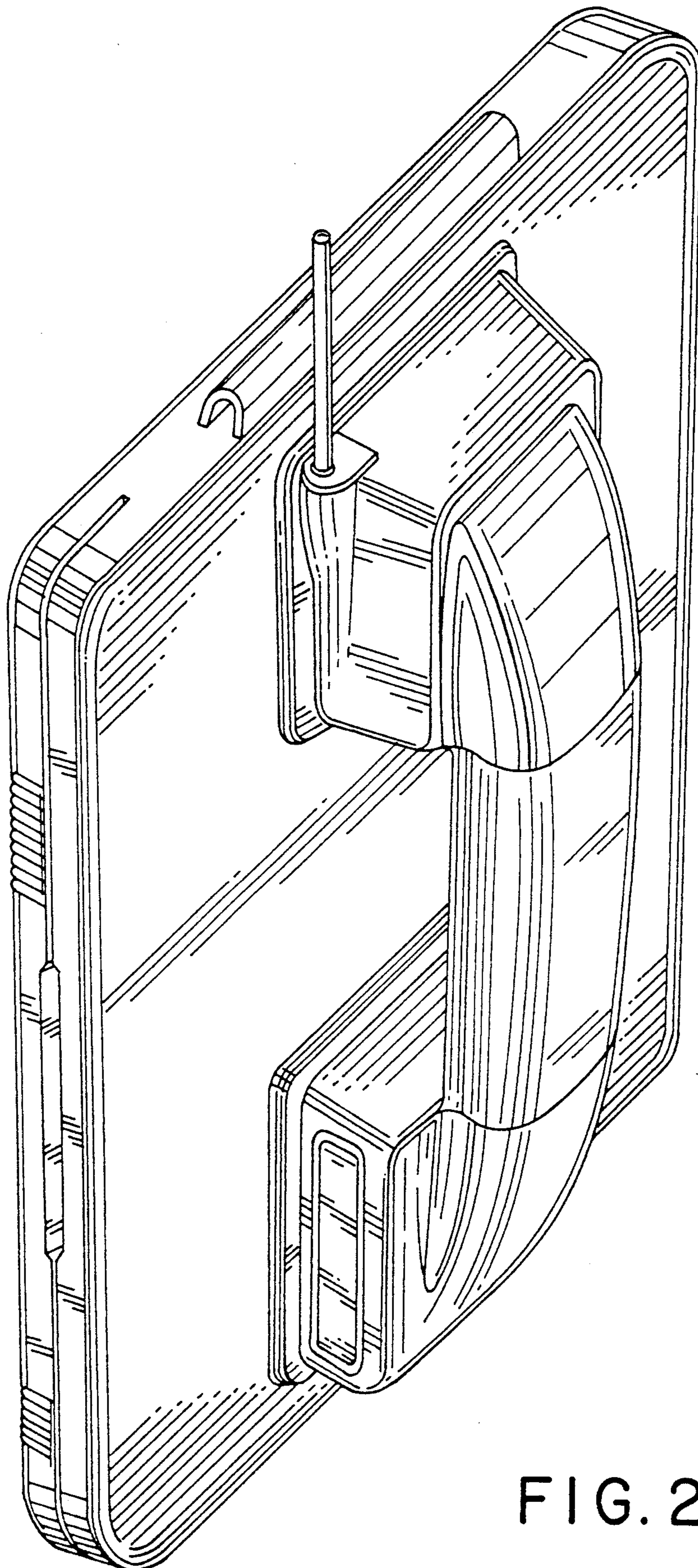


FIG. 2

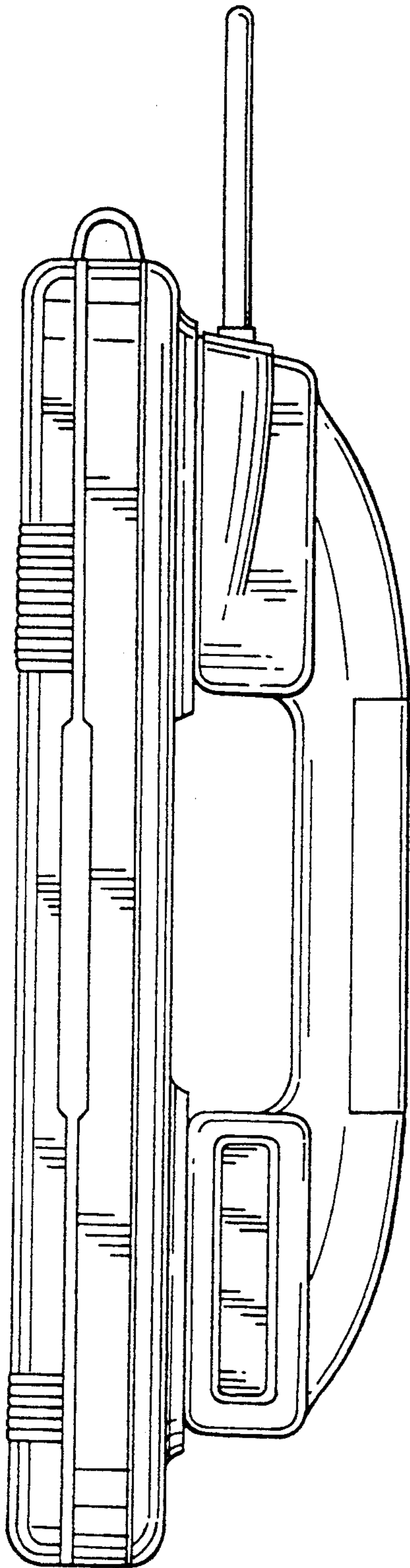


FIG. 3

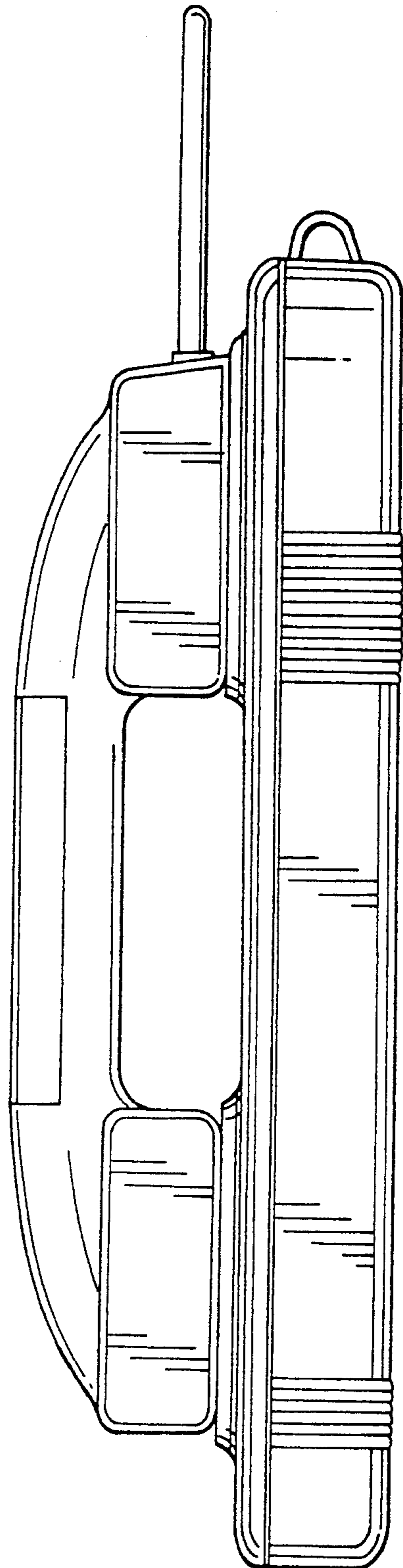


FIG. 4

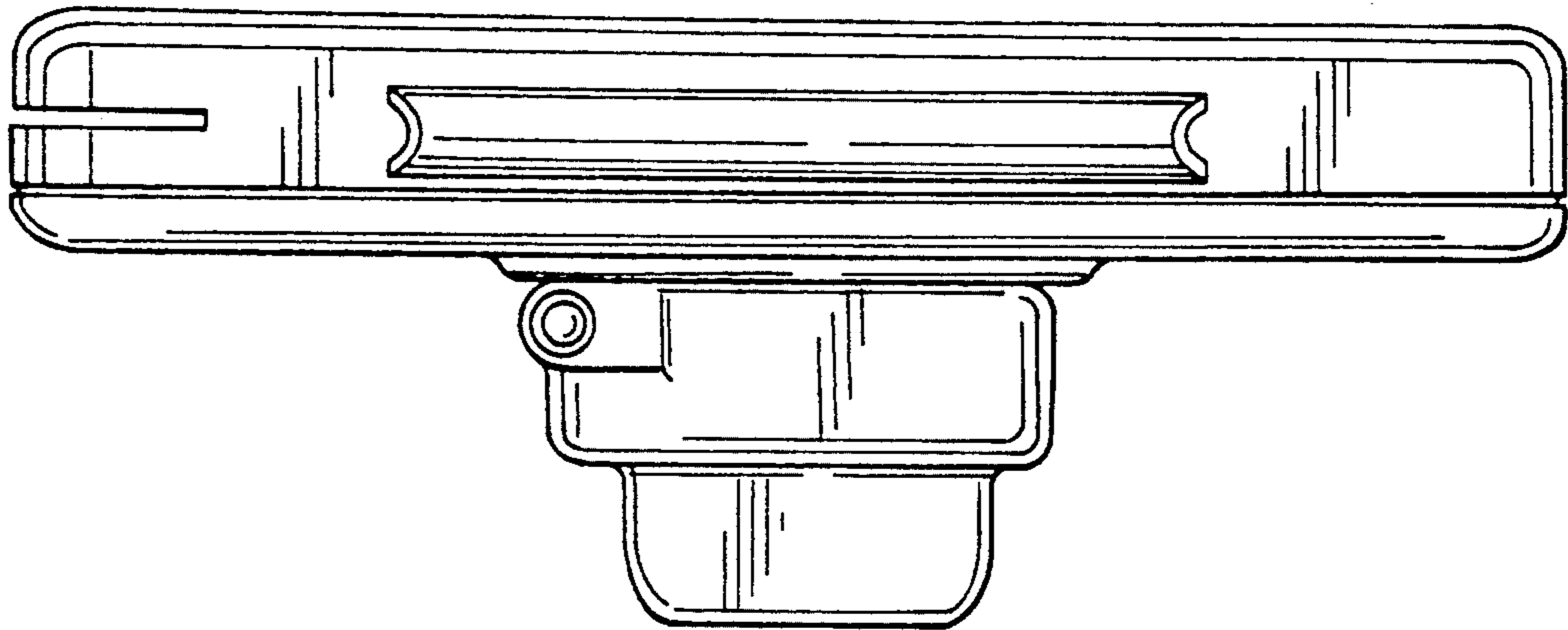


FIG. 5

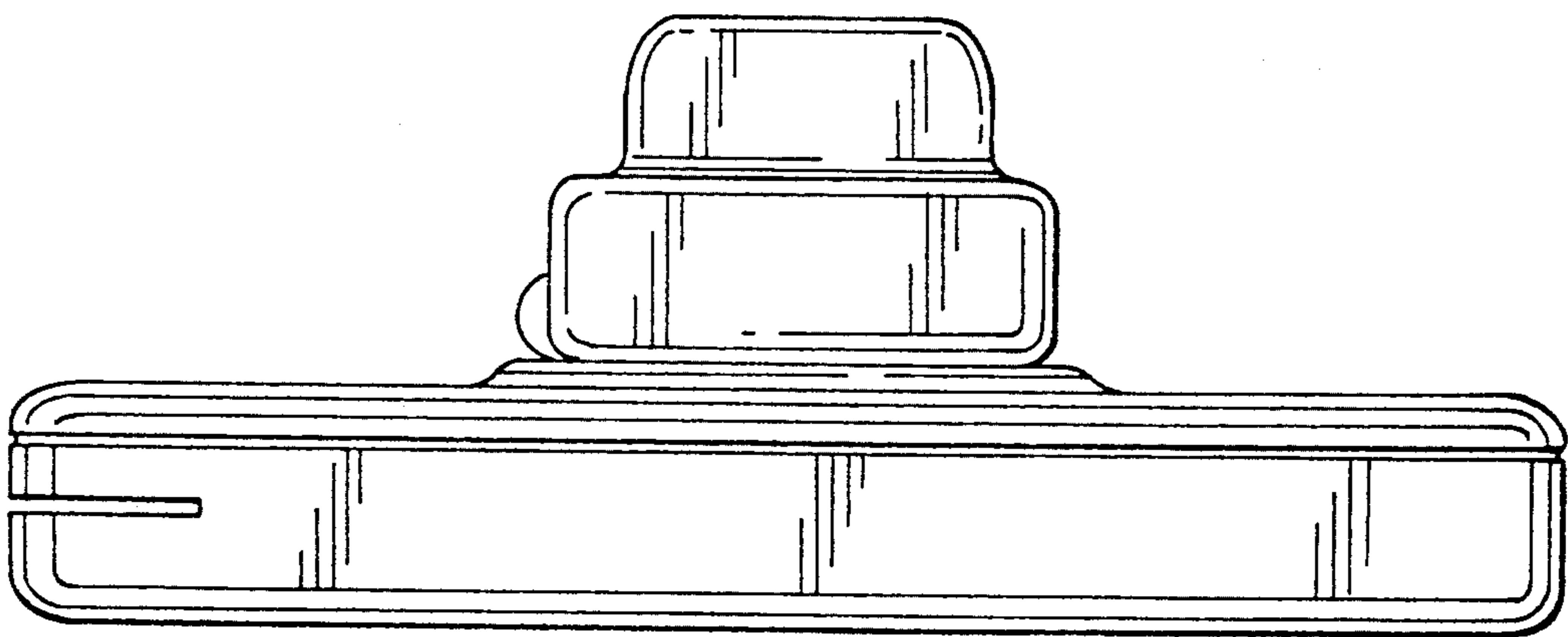


FIG. 6