



US00D346991S

United States Patent [19]

[11] Patent Number: **Des. 346,991**

Krieger, Jr.

[45] Date of Patent: **** May 17, 1994**

[54] **WEIGHTED BED LINER FOR PICKUP TRUCKS**

FOREIGN PATENT DOCUMENTS

[76] Inventor: **Robert H. Krieger, Jr., 11**
Countryside Park, Waterville, Me.
04901

1260708 4/1961 France D12/759

Primary Examiner—James M. Gandy
Attorney, Agent, or Firm—Terry M. Gernstein

[**] Term: **14 Years**

[57] **CLAIM**

[21] Appl. No.: **938,349**

The ornamental design for a weighted bed liner for pickup trucks, as shown and described.

[22] Filed: **Sep. 2, 1992**

[52] U.S. Cl. **D12/98**

DESCRIPTION

[58] Field of Search 296/39.1, 39.2, 37.6;
280/759; D12/98, 156

FIG. 1 is a top, end and side perspective view of the weighted bed liner for pickup trucks showing my new design;

[56] **References Cited**

U.S. PATENT DOCUMENTS

4,339,142	7/1982	Tanner	280/759
4,575,146	3/1986	Markos	296/39 R
4,796,914	1/1989	Raynor	280/757
4,971,356	11/1990	Cook	280/759

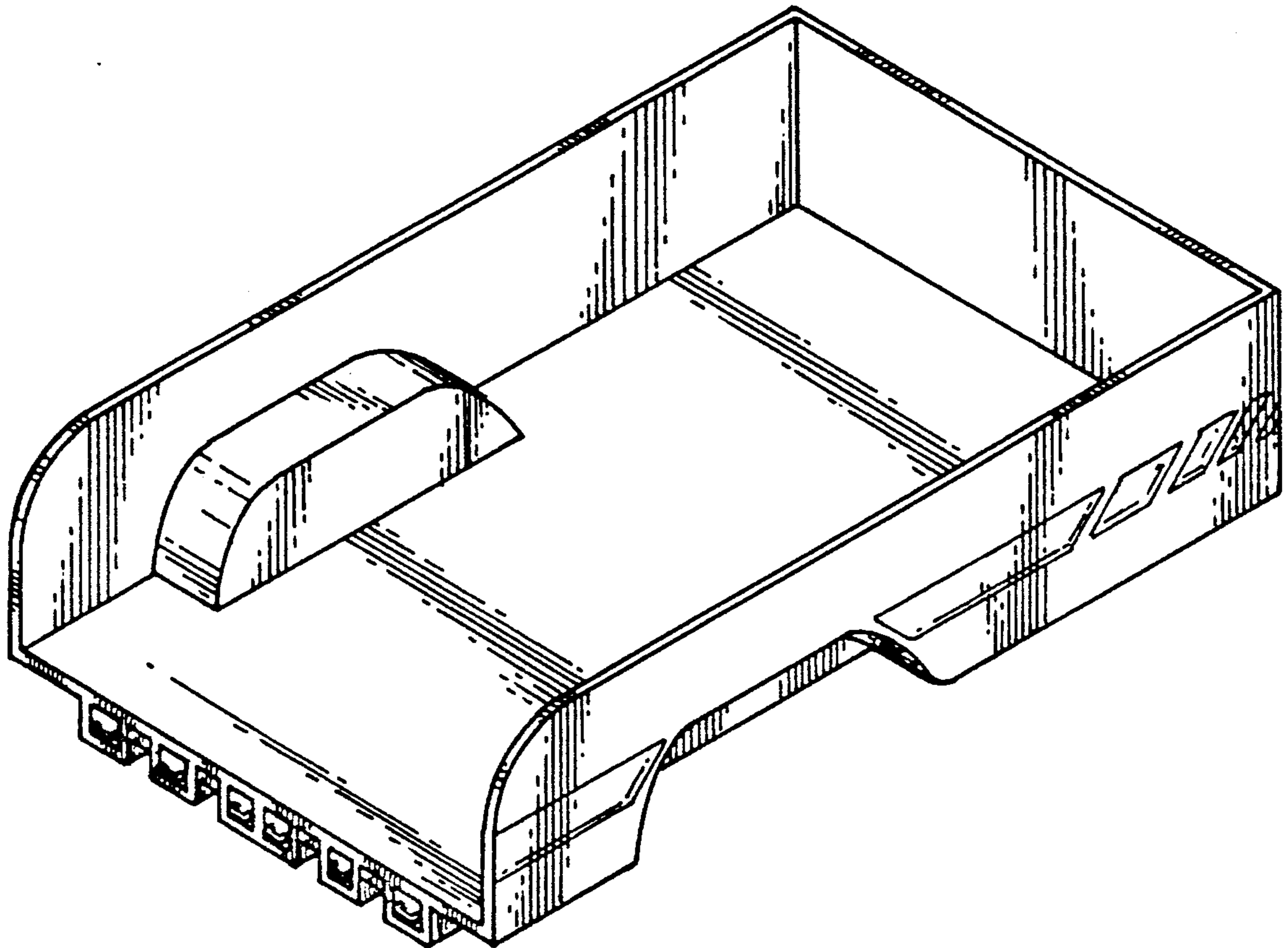
FIG. 2 is a rear end elevational view thereof;

FIG. 3 is a front end elevational view thereof;

FIG. 4 is a side elevational view thereof, the side opposite being a mirror image of the side shown in FIG. 4;

FIG. 5 is a top plan view thereof; and,

FIG. 6 is a bottom plan view thereof.



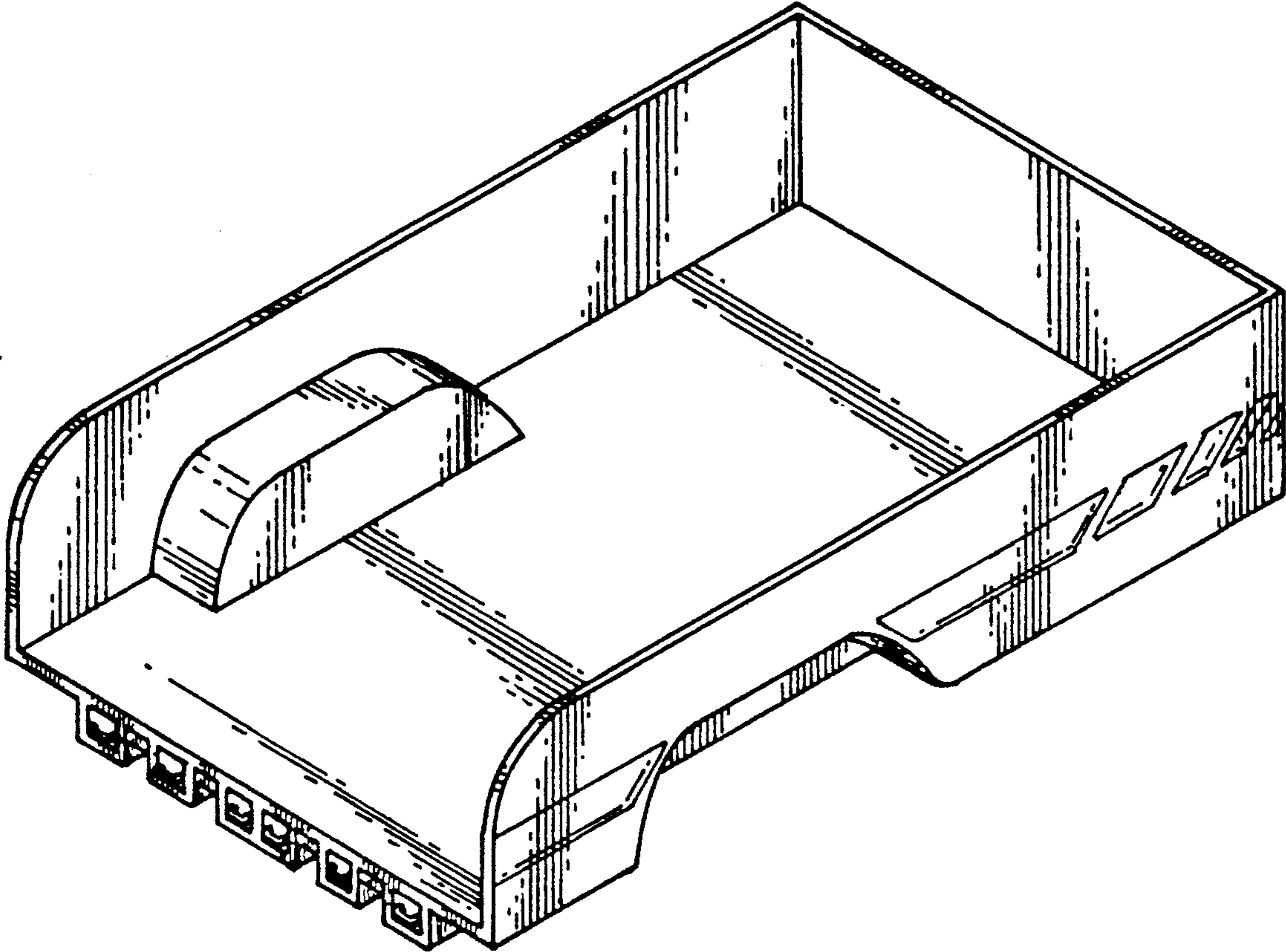


FIG. 1



FIG. 2

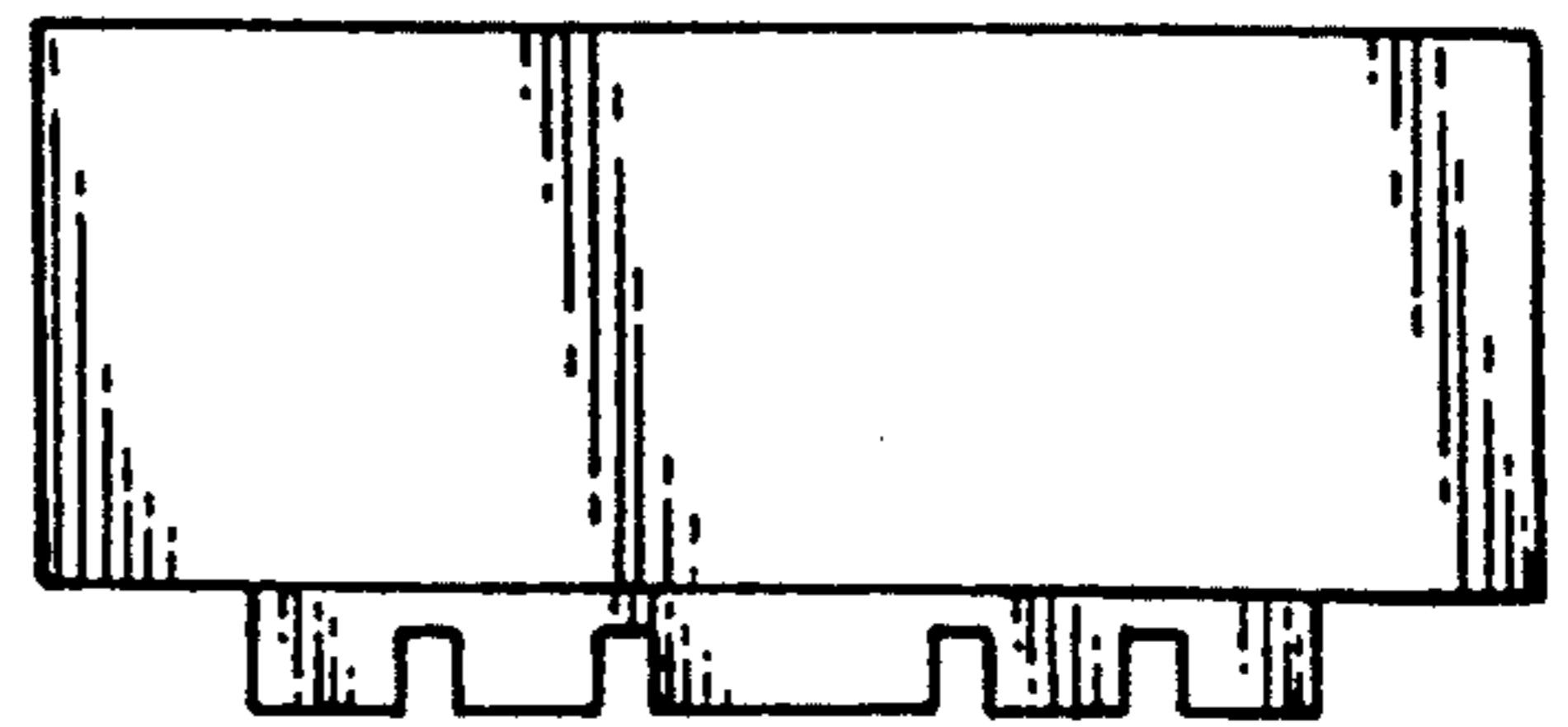


FIG. 3

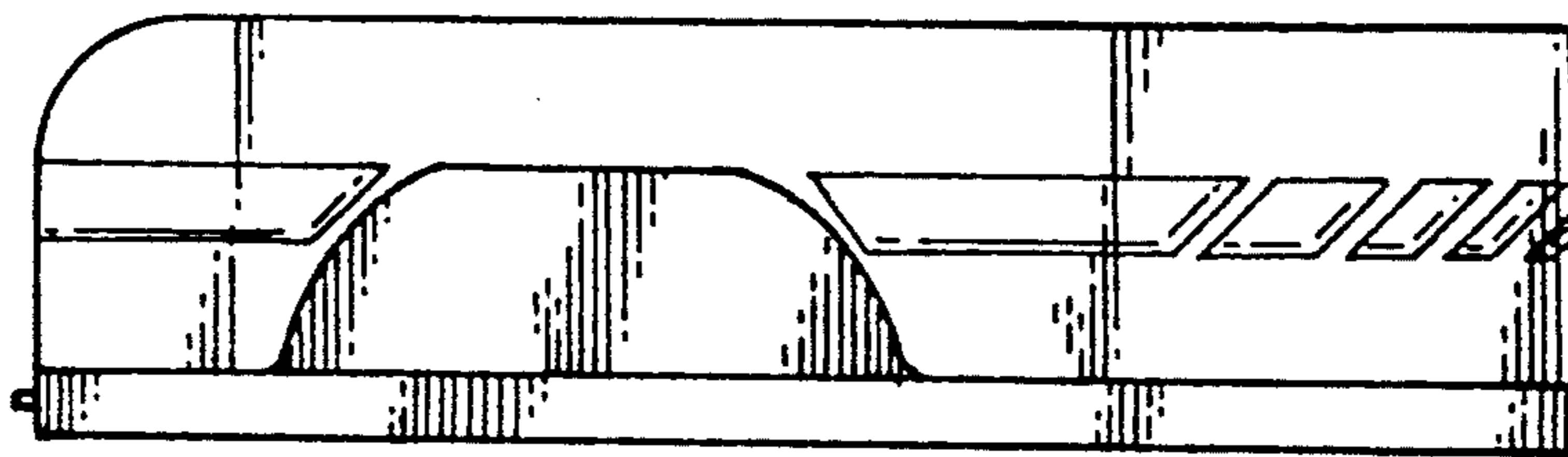


FIG. 4

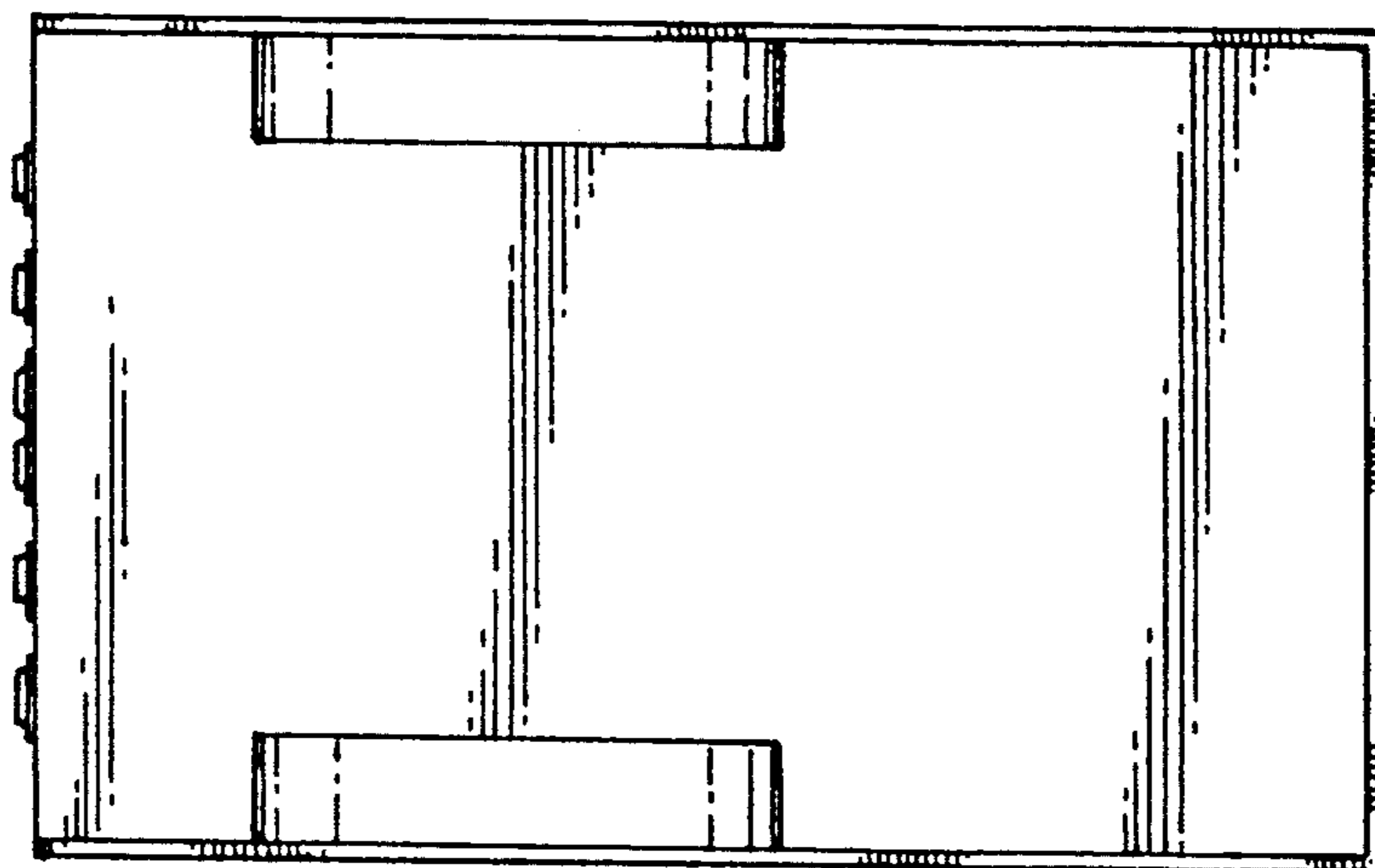


FIG. 5

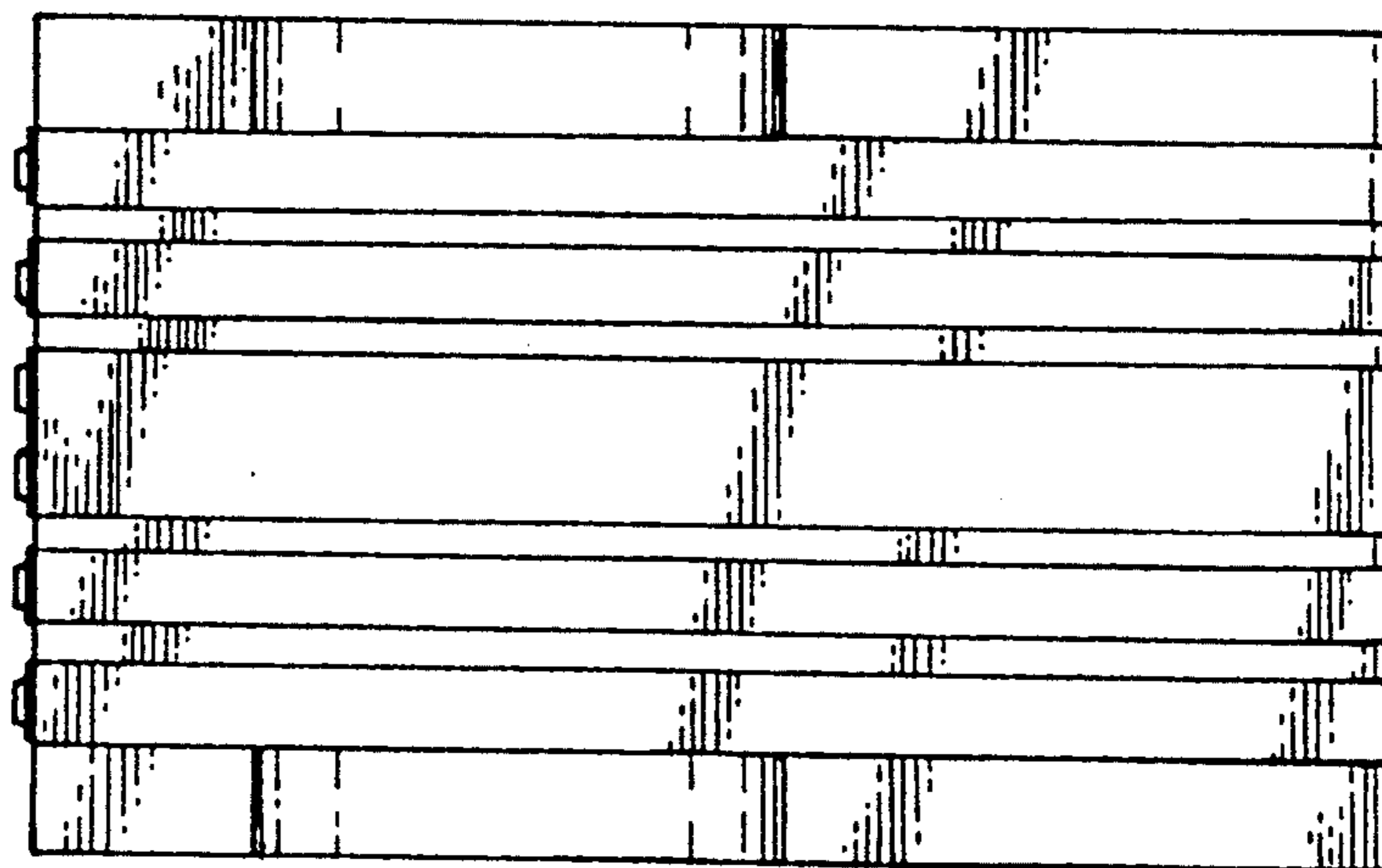


FIG. 6