



US00D346989S

United States Patent [19]
Dolan

[11] **Patent Number: Des. 346,989**
[45] **Date of Patent: ** May 17, 1994**

[54] **AUTOMOBILE**

[75] **Inventor: Julie G. Dolan, Beverly Hills, Mich.**
[73] **Assignee: Chrysler Corporation, Highland Park, Mich.**
[**] **Term: 14 Years**
[21] **Appl. No.: 868,375**

[22] **Filed: Apr. 3, 1992**
[52] **U.S. Cl. D12/91**
[58] **Field of Search 296/185, 180.1; D12/90-92, 98**

[56] **References Cited**
U.S. PATENT DOCUMENTS
D. 295,392 4/1988 Machida et al. D12/90
D. 305,624 1/1990 Doyle et al. D12/90

OTHER PUBLICATIONS

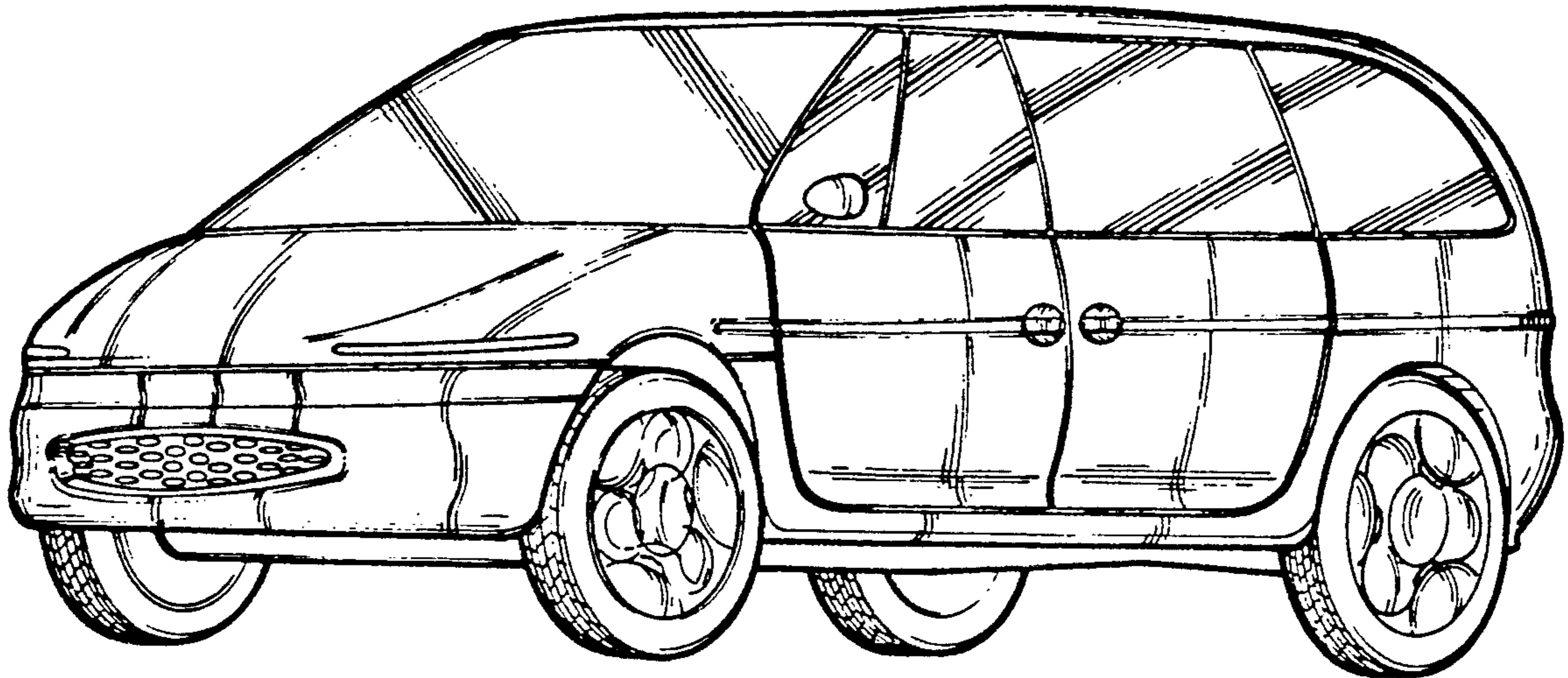
Autocar & Motor, Jun. 12, 1991, p. 15, Nissan Vanette Serena Automobile, bottom of page.
Autocar & Motor, Feb. 27, 1991, p. 14, Automobile, top of page.
Primary Examiner—James M. Gandy
Attorney, Agent, or Firm—Mark P. Calcaterra

[57] **CLAIM**

The ornamental design for an automobile, as shown and described.

DESCRIPTION

FIG. 1 is a front left side perspective view of an automobile embodying the design;
FIG. 2 is a rear right perspective view thereof;
FIG. 3 is a right side elevational view thereof;
FIG. 4 is a left side elevational view thereof;
FIG. 5 is a top plan view thereof with the roof in a non-retracted position;
FIG. 6 is a view like that of FIG. 5 with the roof in a retracted position;
FIG. 7 is a front elevation view thereof; and,
FIG. 8 is a rear elevation view thereof.



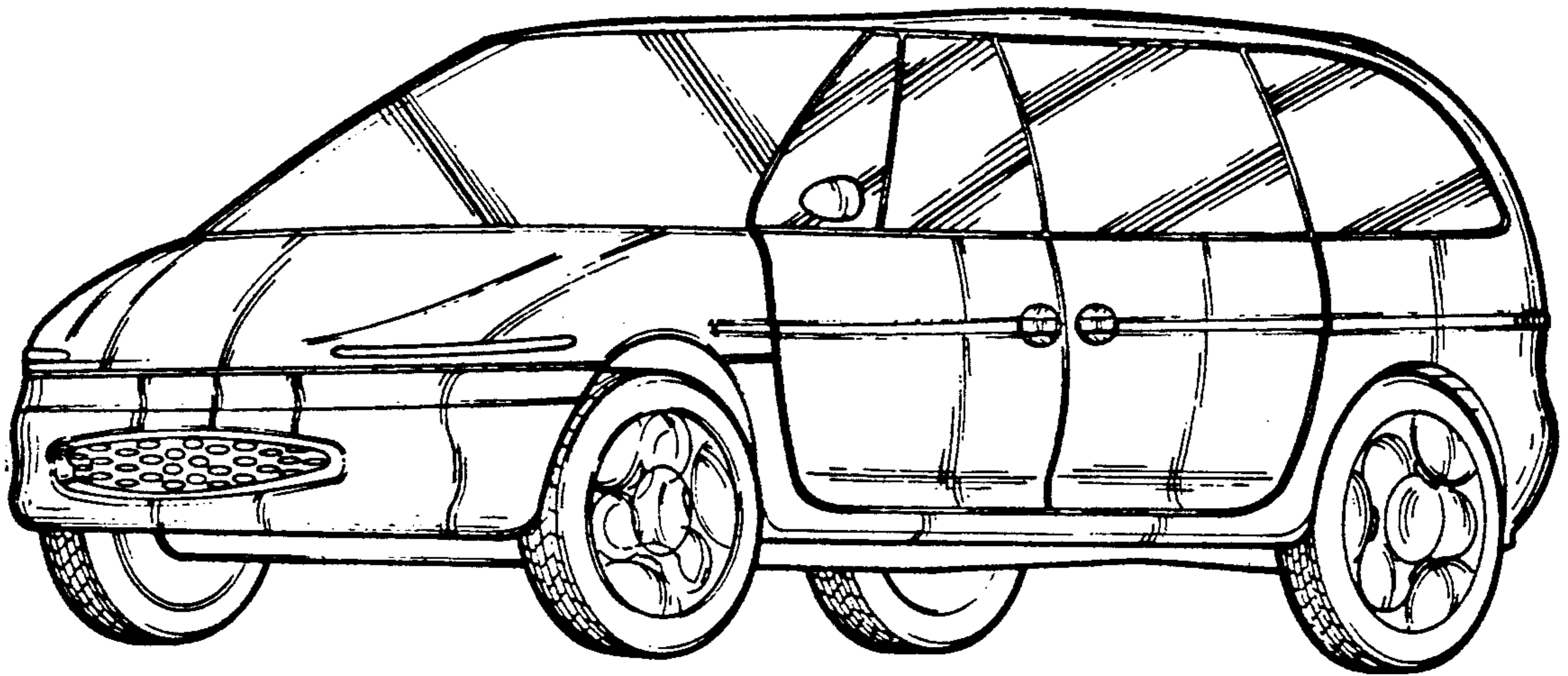


Fig-1

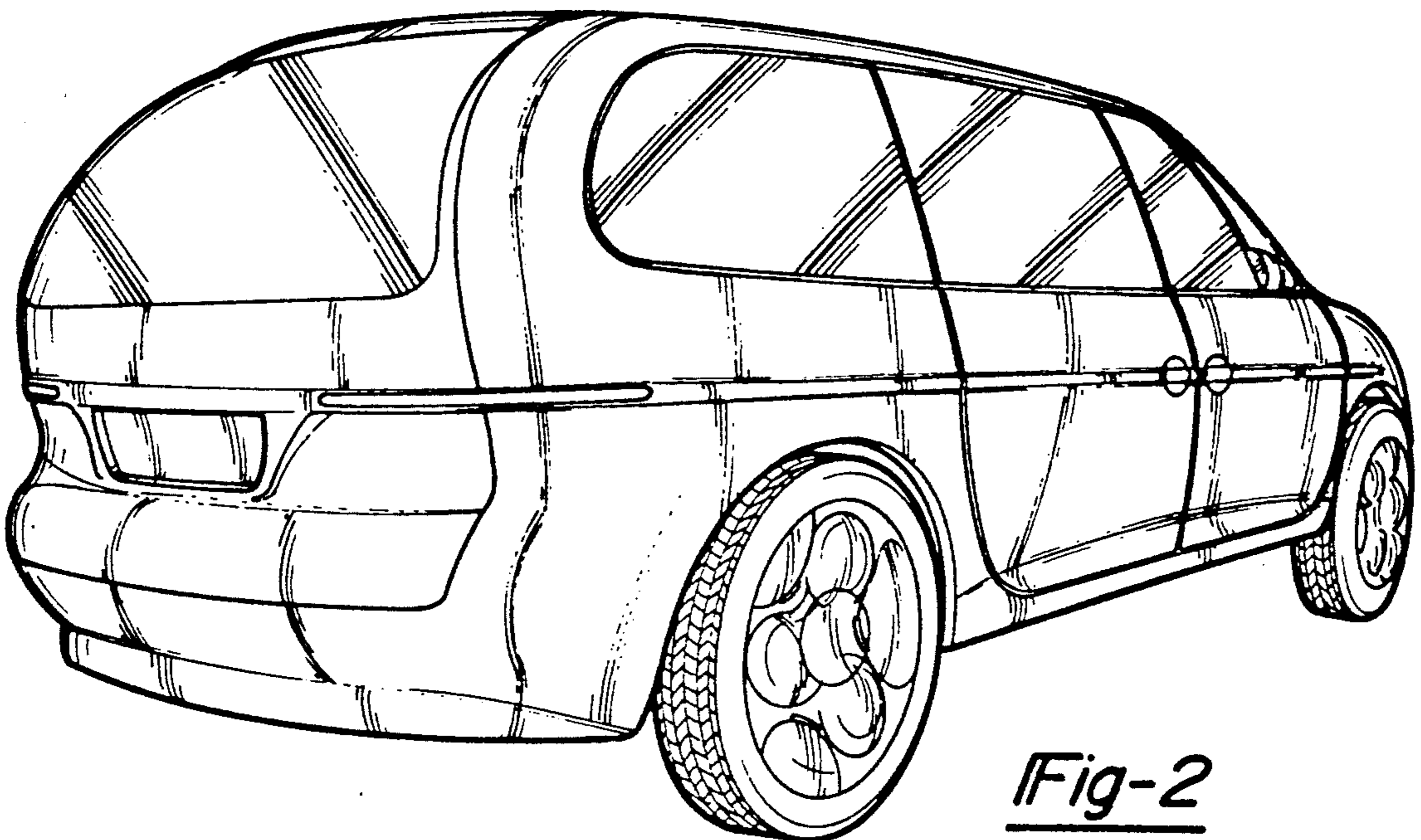


Fig-2

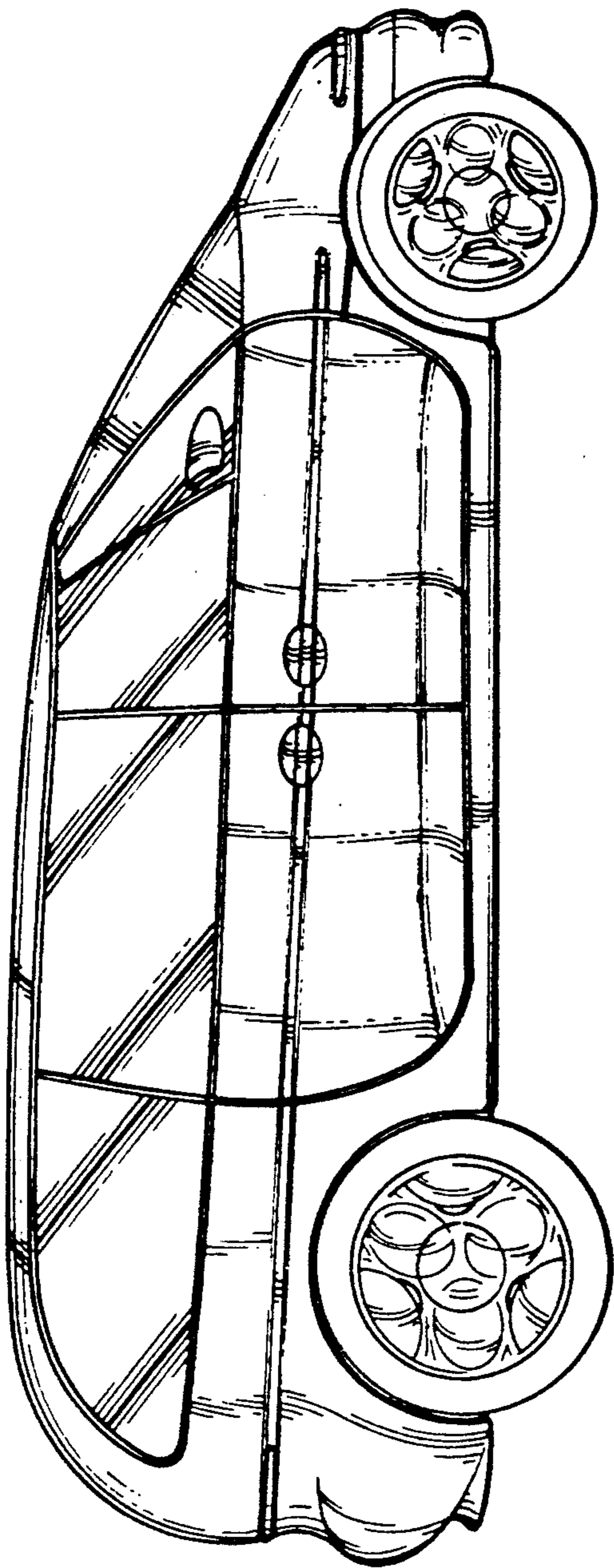


Fig-3

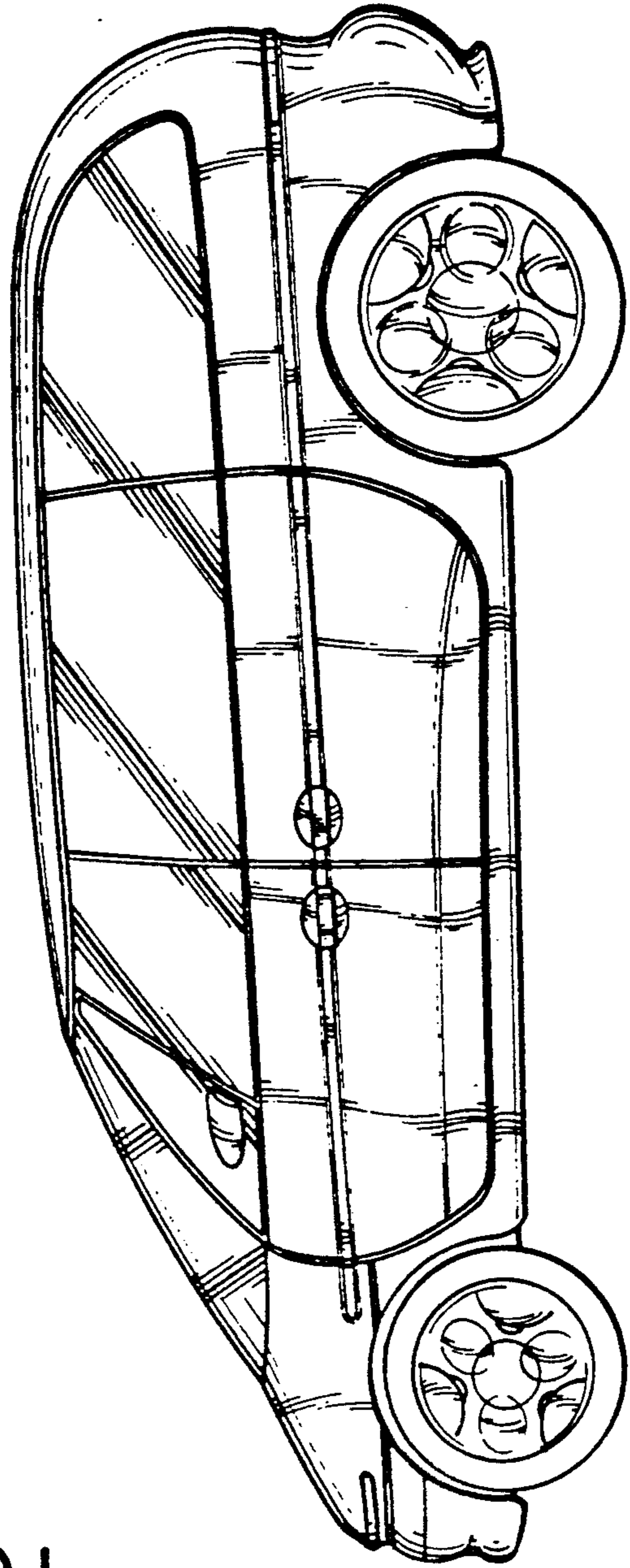


Fig-4

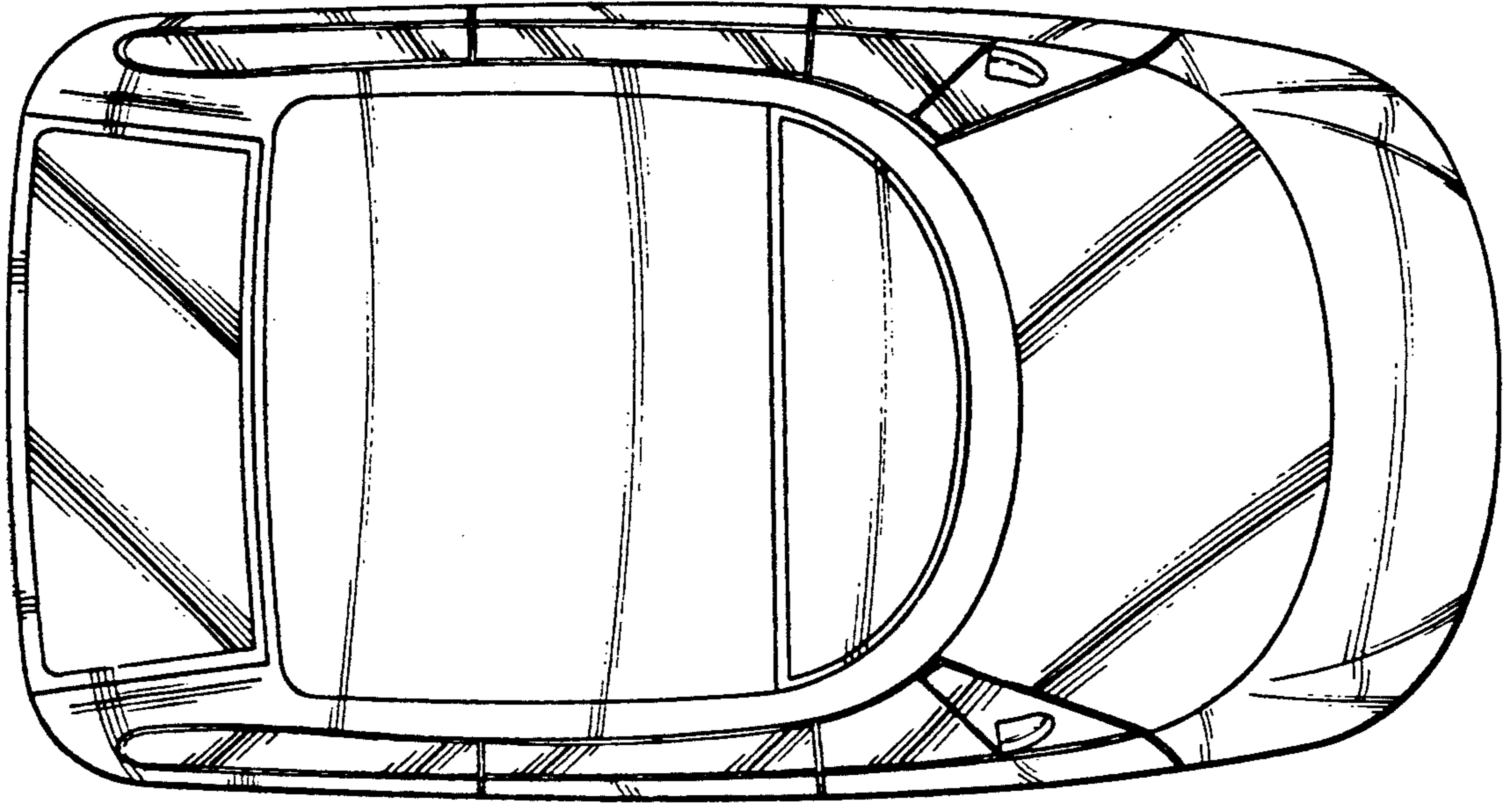


Fig-5

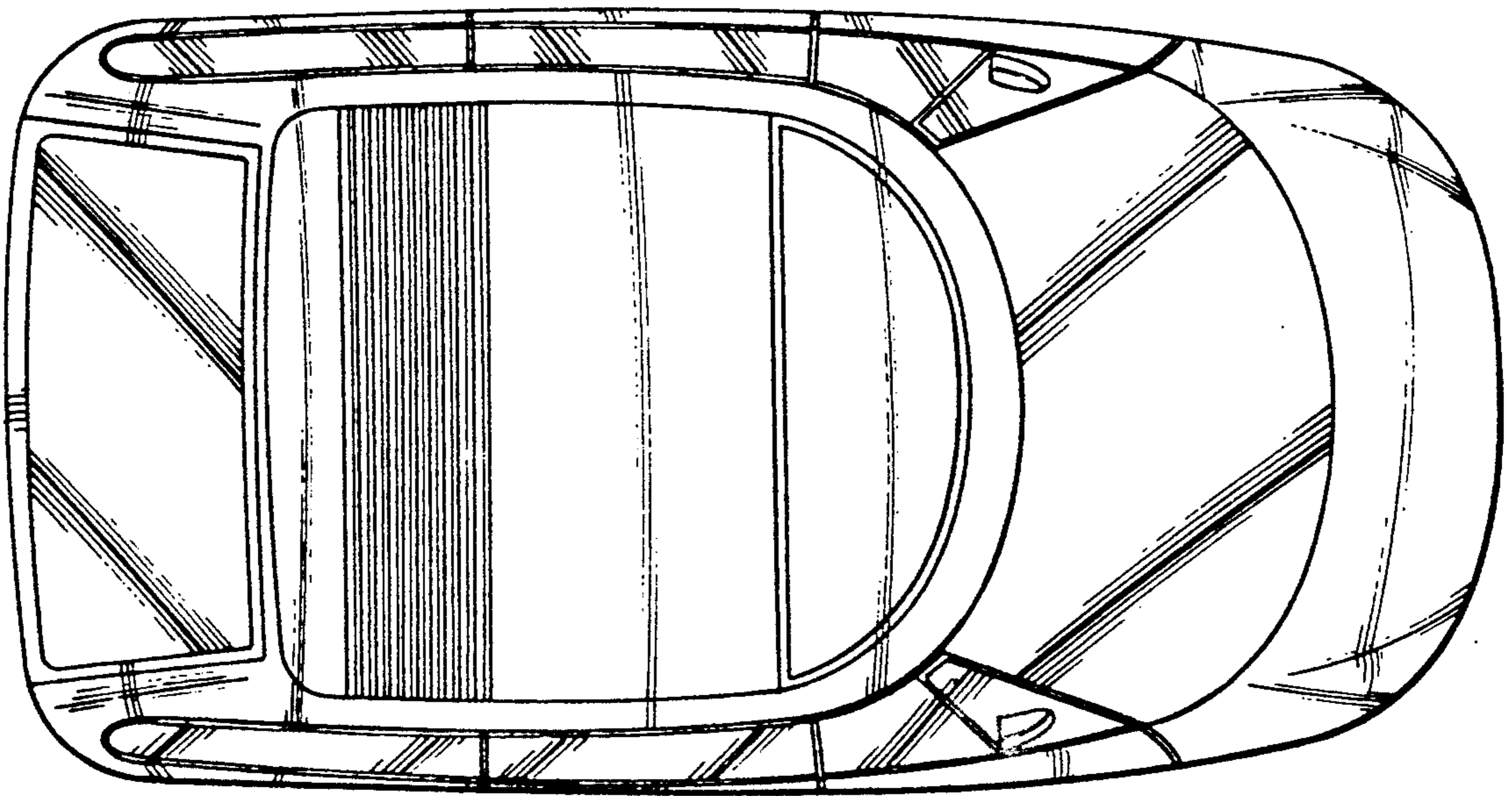


Fig-6

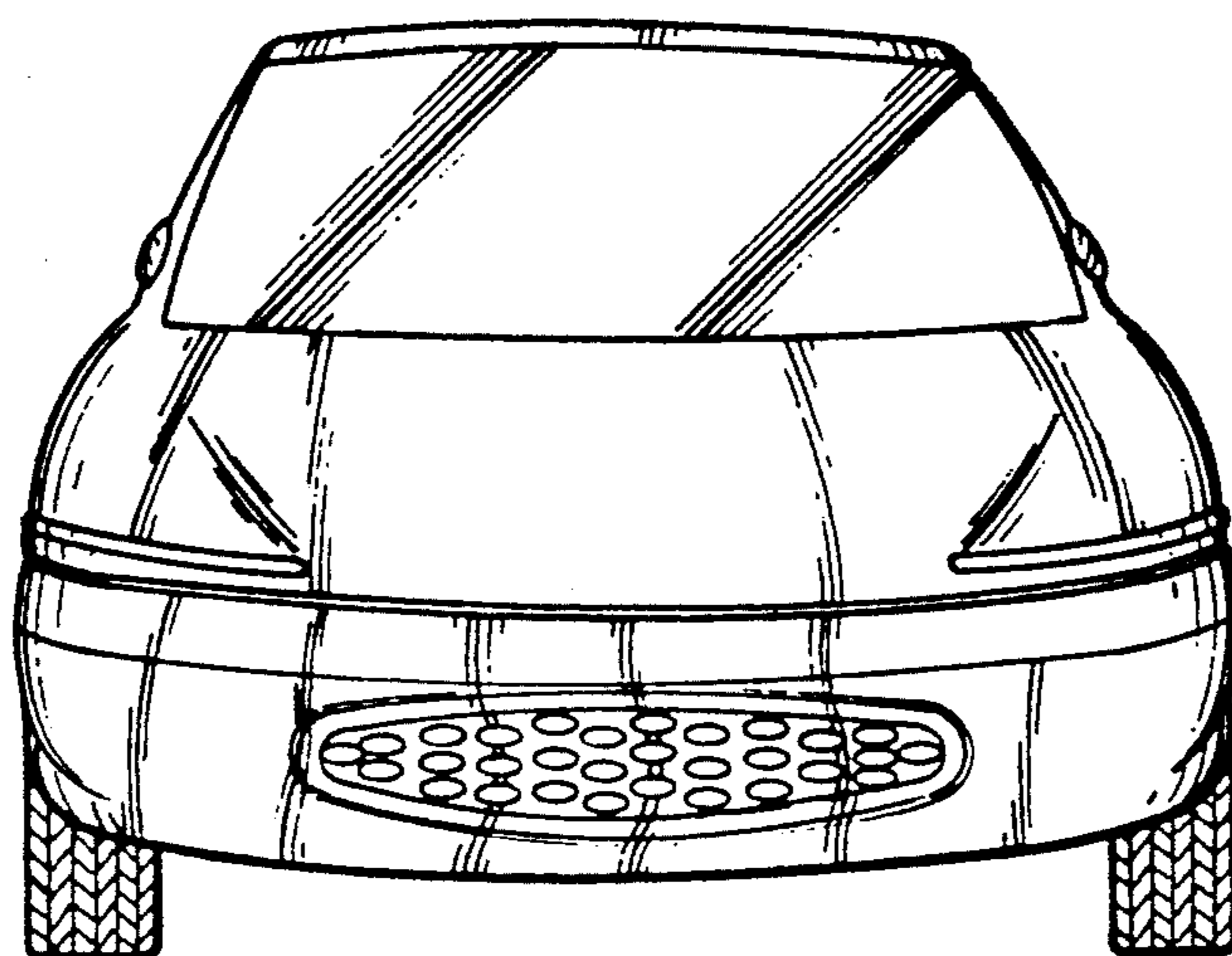


Fig-7

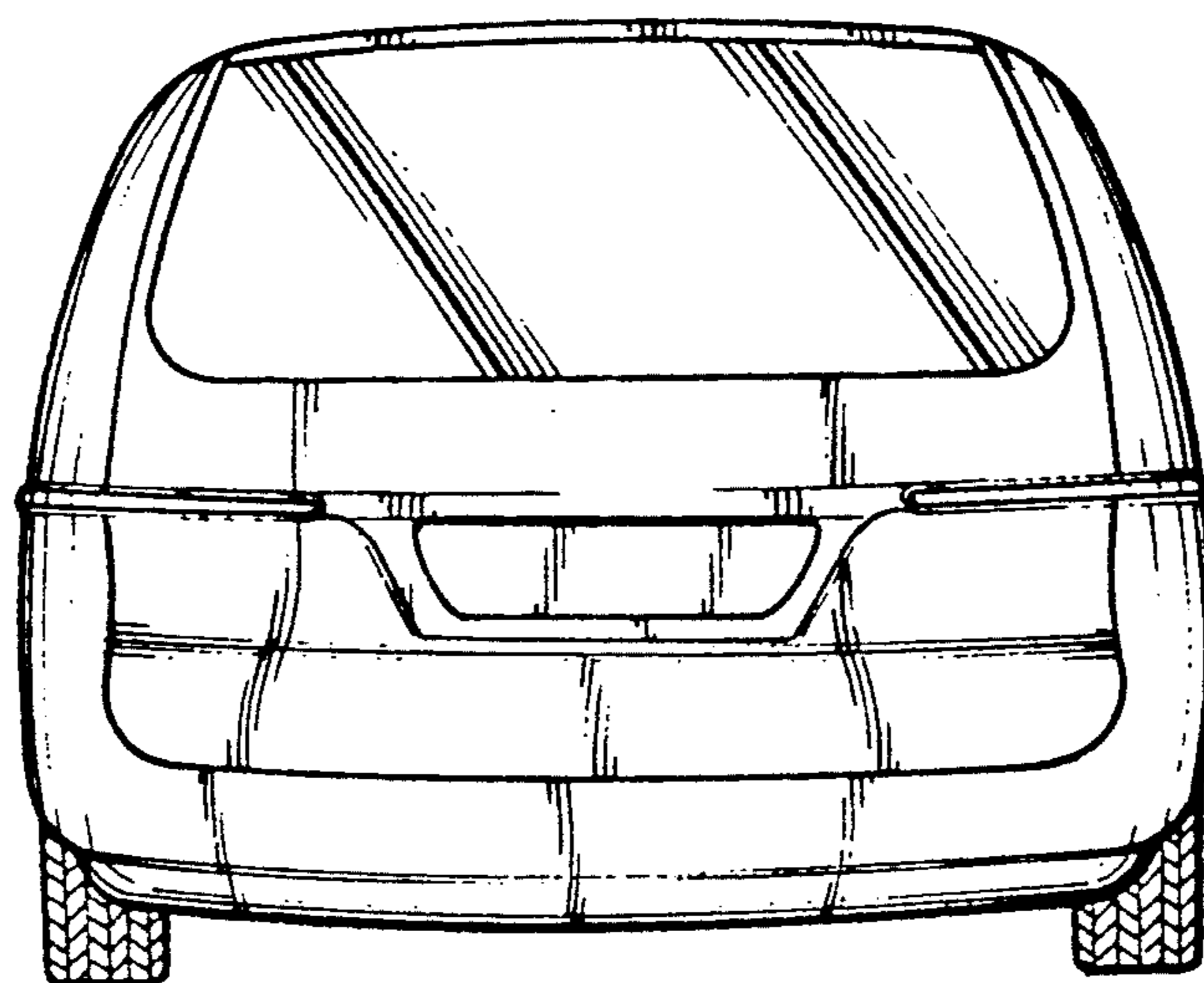


Fig-8