



US00D346981S

United States Patent [19] Ratzlaff

[11] Patent Number: Des. 346,981
[45] Date of Patent: ** May 17, 1994

[54] SMOKE DETECTOR
[75] Inventor: Larry R. Ratzlaff, Elgin, Ill.
[73] Assignee: Management Investment & Technology, Ltd., Hong Kong, Hong Kong
[**] Term: 14 Years
[21] Appl. No.: 827,966
[22] Filed: Jan. 29, 1992
[52] U.S. Cl. D10/106
[58] Field of Search 340/545, 547, 555, 578, 340/586, 628, 629, 630, 693; D10/104, 106, 121; D29/1, 2, 4, 5

D. 297,219 8/1988 Taylor D10/106
D. 308,947 7/1990 Downing D10/106
4,236,822 12/1980 Jaretsky et al. 340/628

Primary Examiner—Wallace R. Burke
Assistant Examiner—Marcus Jackson
Attorney, Agent, or Firm—McDermott, Will & Emery

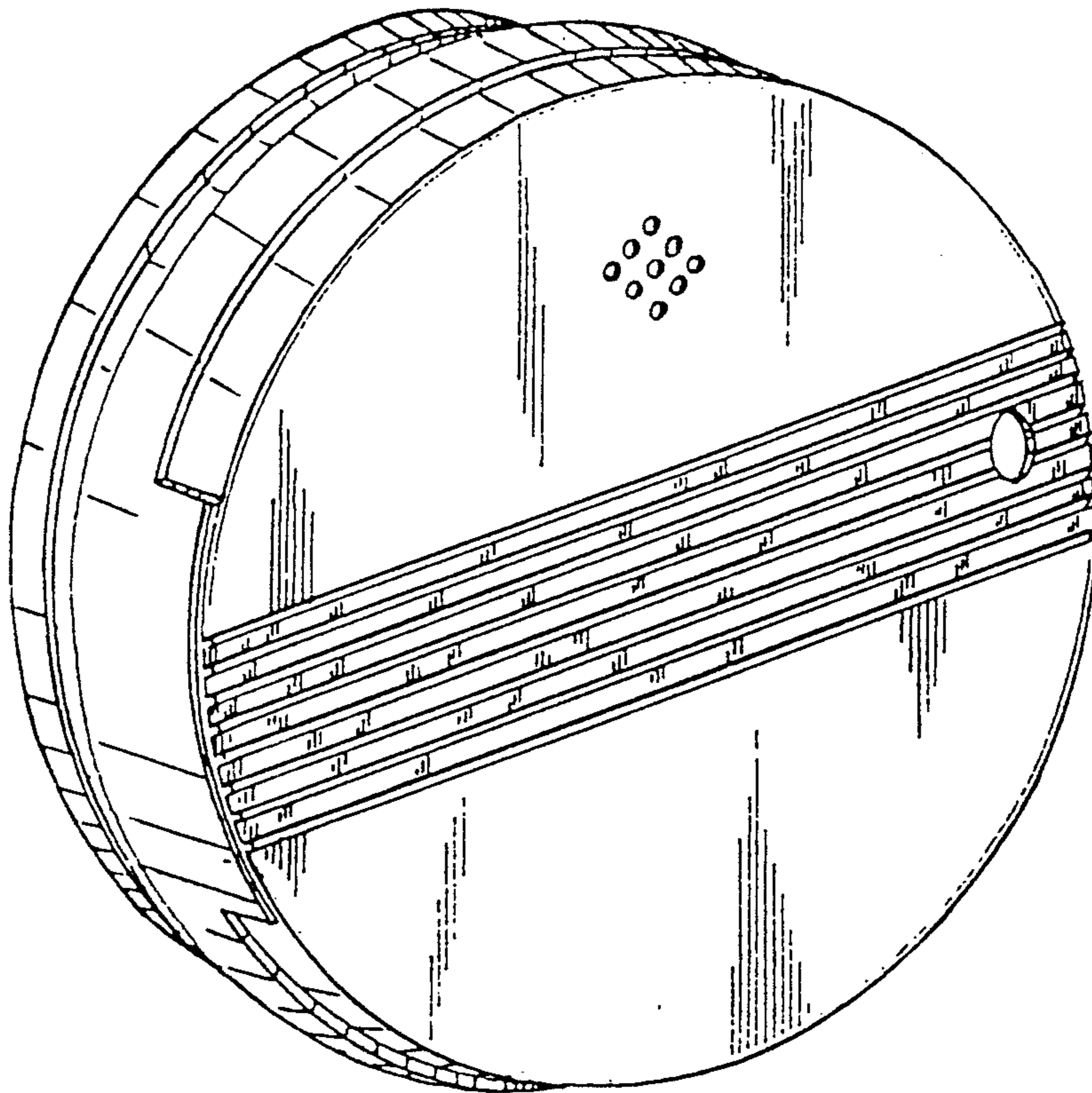
[57] CLAIM

The ornamental design for a smoke detector, as shown and described.

DESCRIPTION

FIG. 1 is a perspective view of the smoke detector according to my new design;
FIG. 2 is a top view of the smoke detector according to my new design;
FIG. 3 is a side view of the smoke detector shown in FIG. 1; and,
FIG. 4 is an additional side view of the smoke detector shown in FIG. 1.

[56] References Cited
U.S. PATENT DOCUMENTS
D. 260,975 9/1981 Lam D10/106
D. 279,769 7/1985 Thornton, Jr. et al. D10/106



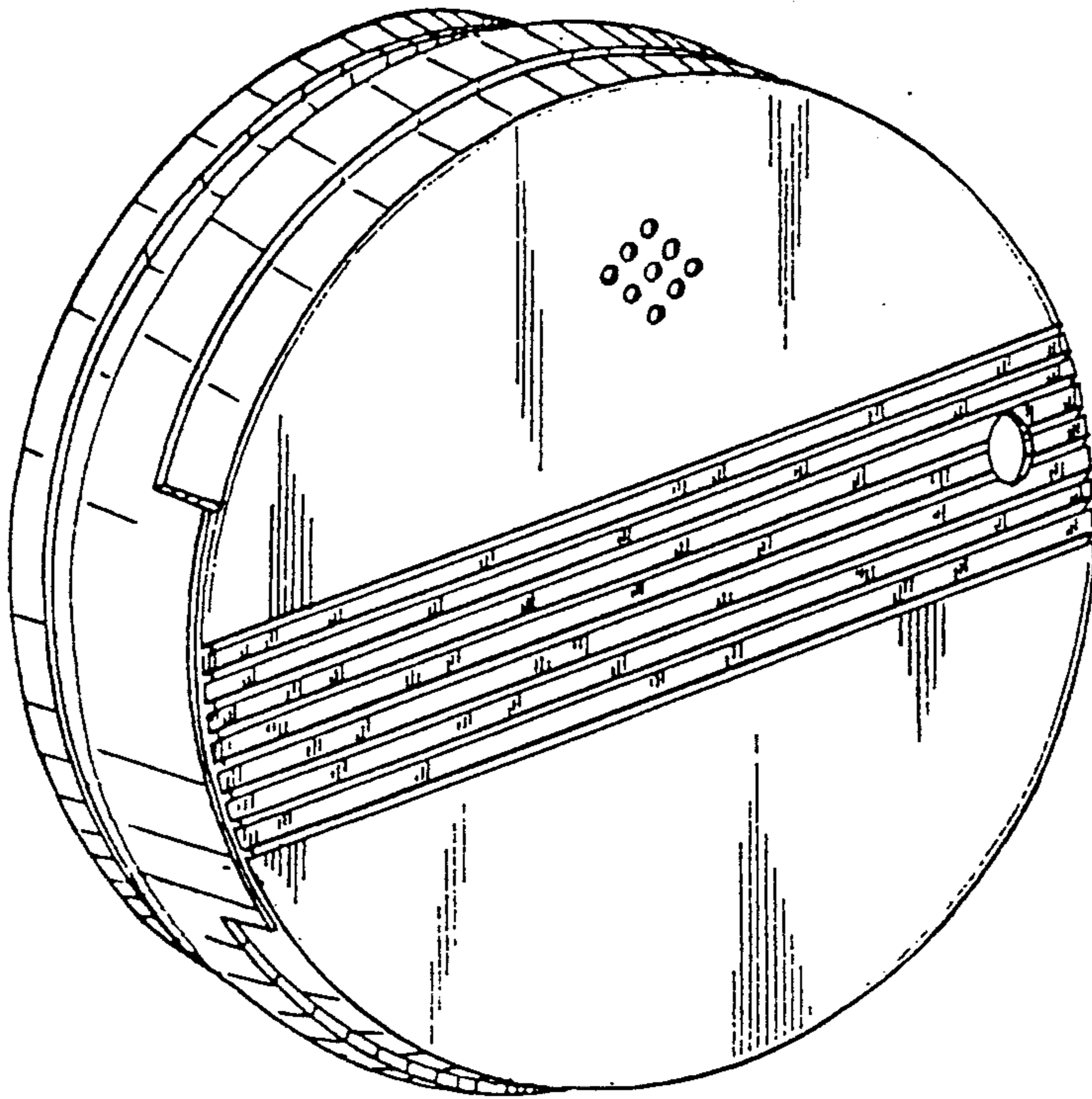


FIG. 1

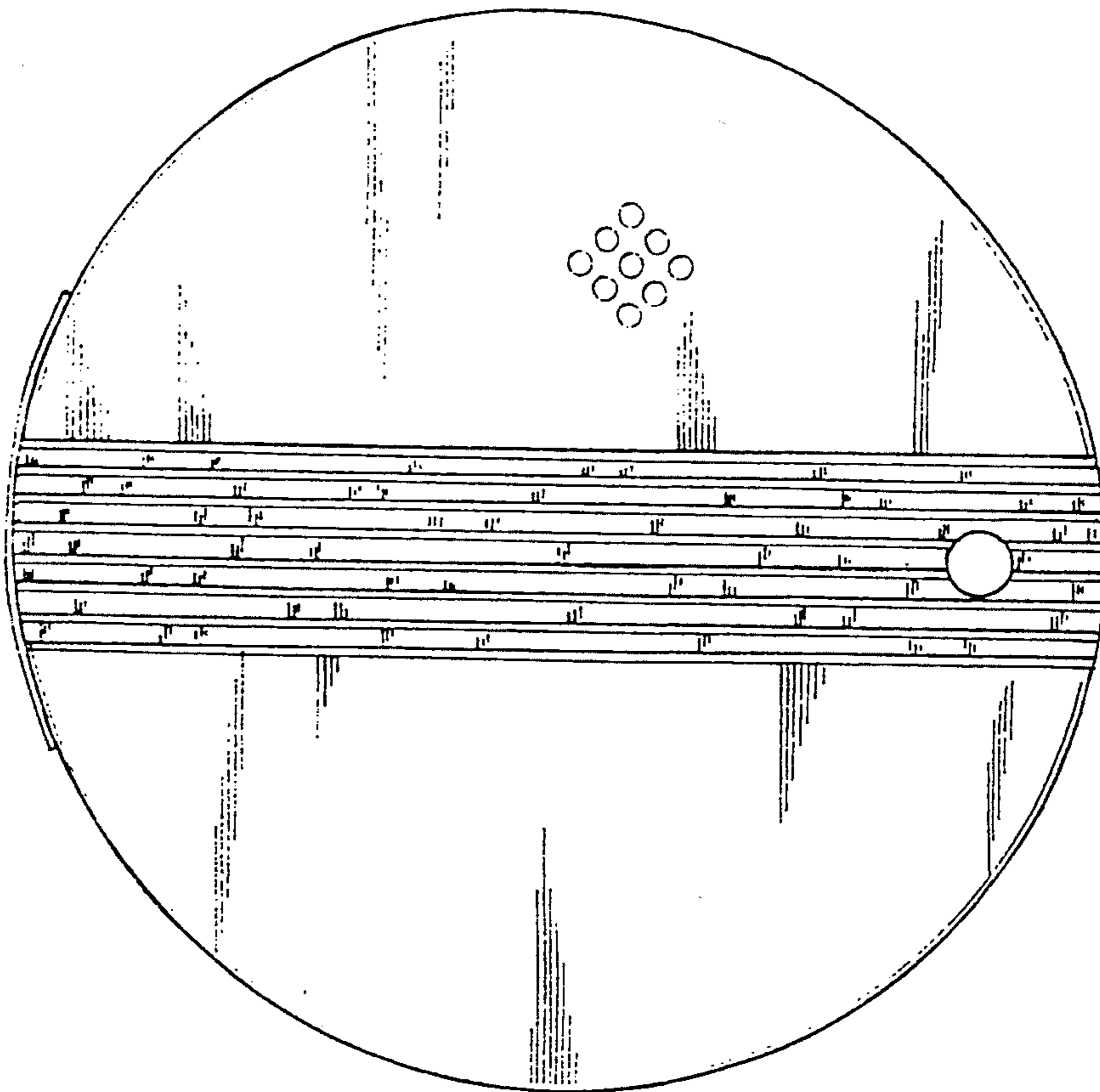


FIG. 2

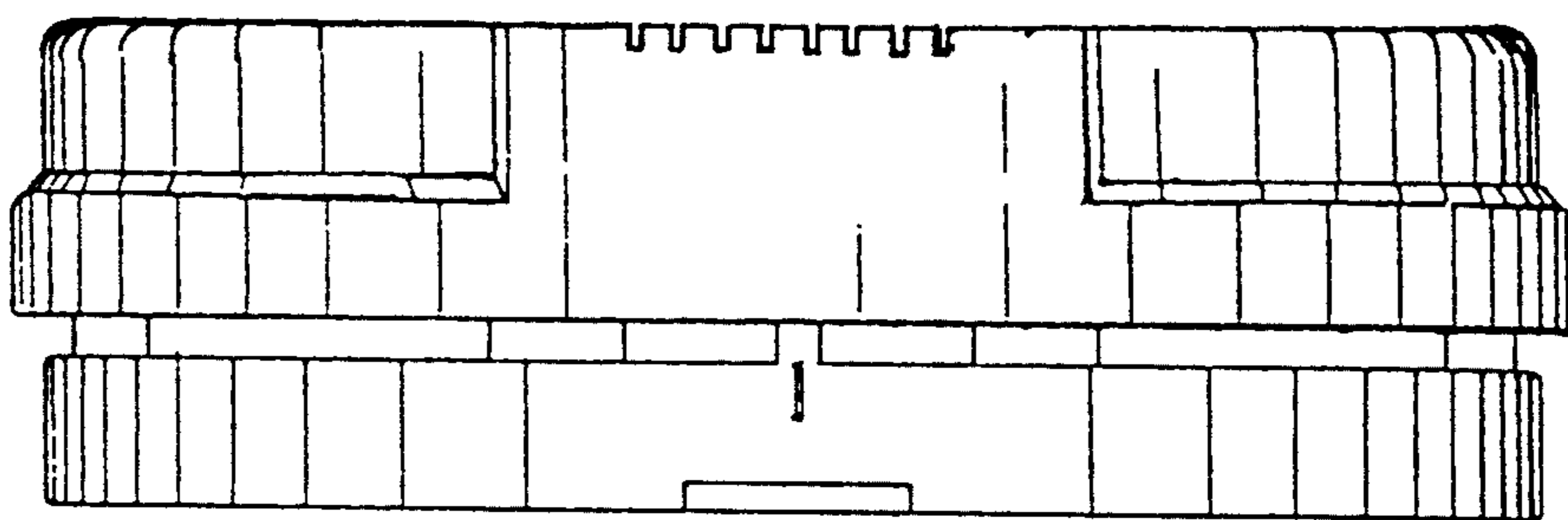


FIG. 4

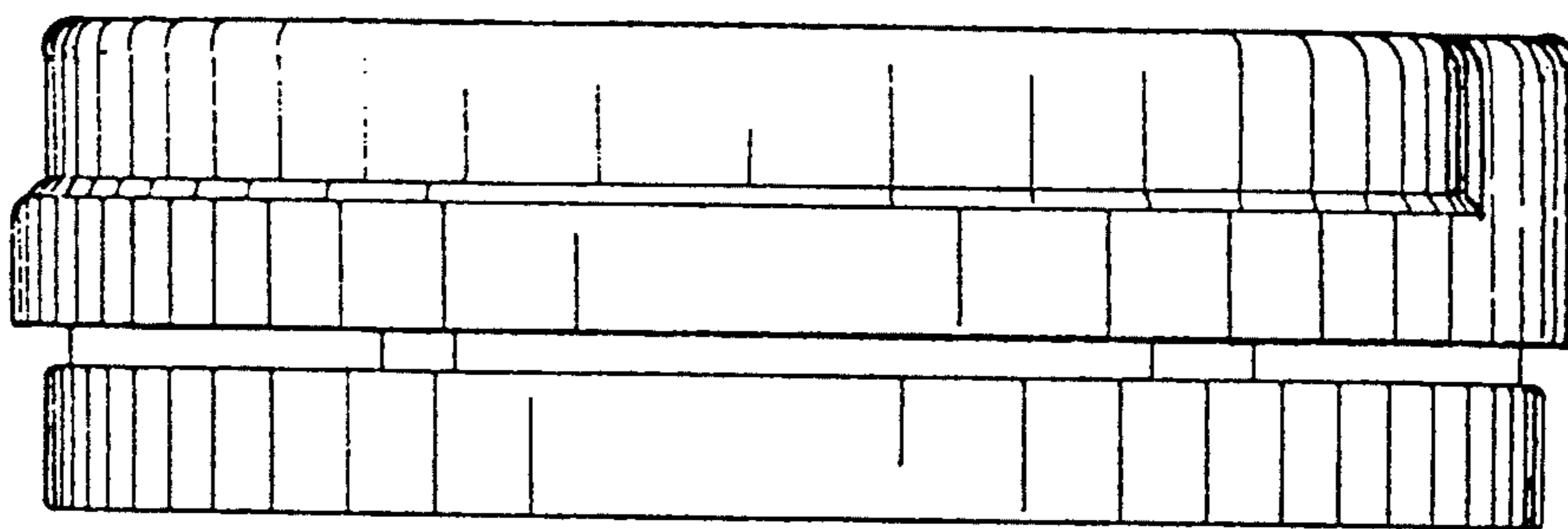


FIG. 3