



US00D346980S

United States Patent [19]

[11] Patent Number: **Des. 346,980**

Peterson et al.

[45] Date of Patent: **** May 17, 1994**

[54] **PITOT AIR DATA SENSOR**

[75] Inventors: **Michael T. Peterson; Jeffrey M. Setterholm**, both of Lakeville, Minn.; **C. Michael Peterson**, Cedar Rapids, Iowa; **Jonathan D. Young**, Worthington; **William J. Leeper**, Huber Heights, both of Ohio

[73] Assignee: **Rosemount Inc.**, Eden Prairie, Minn.

[**] Term: **14 Years**

[21] Appl. No.: **7,892**

[22] Filed: **May 4, 1993**

4,096,744	6/1978	De Leo et al.	73/180
4,378,696	4/1983	De Leo et al.	73/180
4,378,697	4/1983	De Leo et al.	.
4,615,213	10/1986	Hagan	73/180
4,645,517	2/1987	Hagen et al.	.
4,718,273	1/1988	McCormack	73/180
4,836,019	6/1989	Hagen et al.	.
5,025,661	6/1990	McCormack	73/180

FOREIGN PATENT DOCUMENTS

WO92/16849 10/1992 PCT Int'l Appl. .

Primary Examiner—Alan P. Douglas
Assistant Examiner—Antoine D. Davis
Attorney, Agent, or Firm—Westman, Champlin & Kelly

[57] CLAIM

The ornamental design for a pitot air data sensor, as shown and described.

DESCRIPTION

FIG. 1 is a right side elevational view of a pitot air data sensor showing our new design; FIG. 2 is a bottom plan view; FIG. 3 is a left side elevational view; FIG. 4 is a top plan view; FIG. 5 is a rear elevational view; FIG. 6 is a front elevational view; FIG. 7 is a perspective view; and, FIG. 8 is a bottom plan view thereof.

The broken line showing of a mounting block in FIGS. 1-7 is for illustrative purposes only and forms no part of the claimed design.

Related U.S. Application Data

[63] Continuation of Ser. No. 927,245, Aug. 7, 1992, abandoned, which is a continuation of Ser. No. 587,909, Sep. 25, 1990, abandoned.

[52] U.S. Cl. **D10/96**

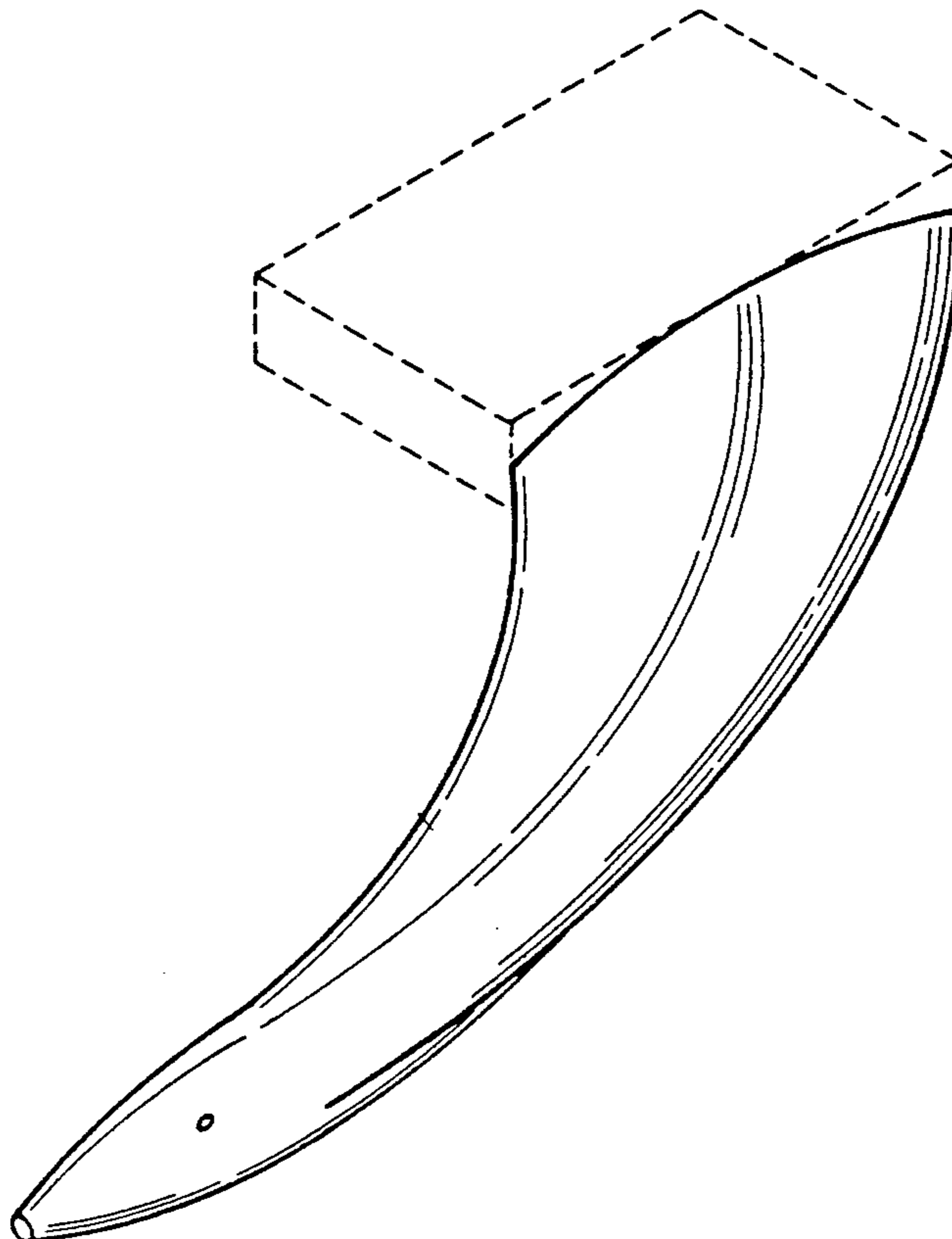
[58] Field of Search 73/180, 181, 182, 861.65-861.68;

D18/46, 52, 59, 60, 96, 98

[56] References Cited

U.S. PATENT DOCUMENTS

2,204,367	6/1940	Kollsman	D10/96 X
3,120,123	2/1964	Werner et al.	73/182
3,163,040	12/1964	Werner	73/212
3,318,146	5/1967	De Leo et al.	.
3,482,445	12/1969	De Leo et al.	.



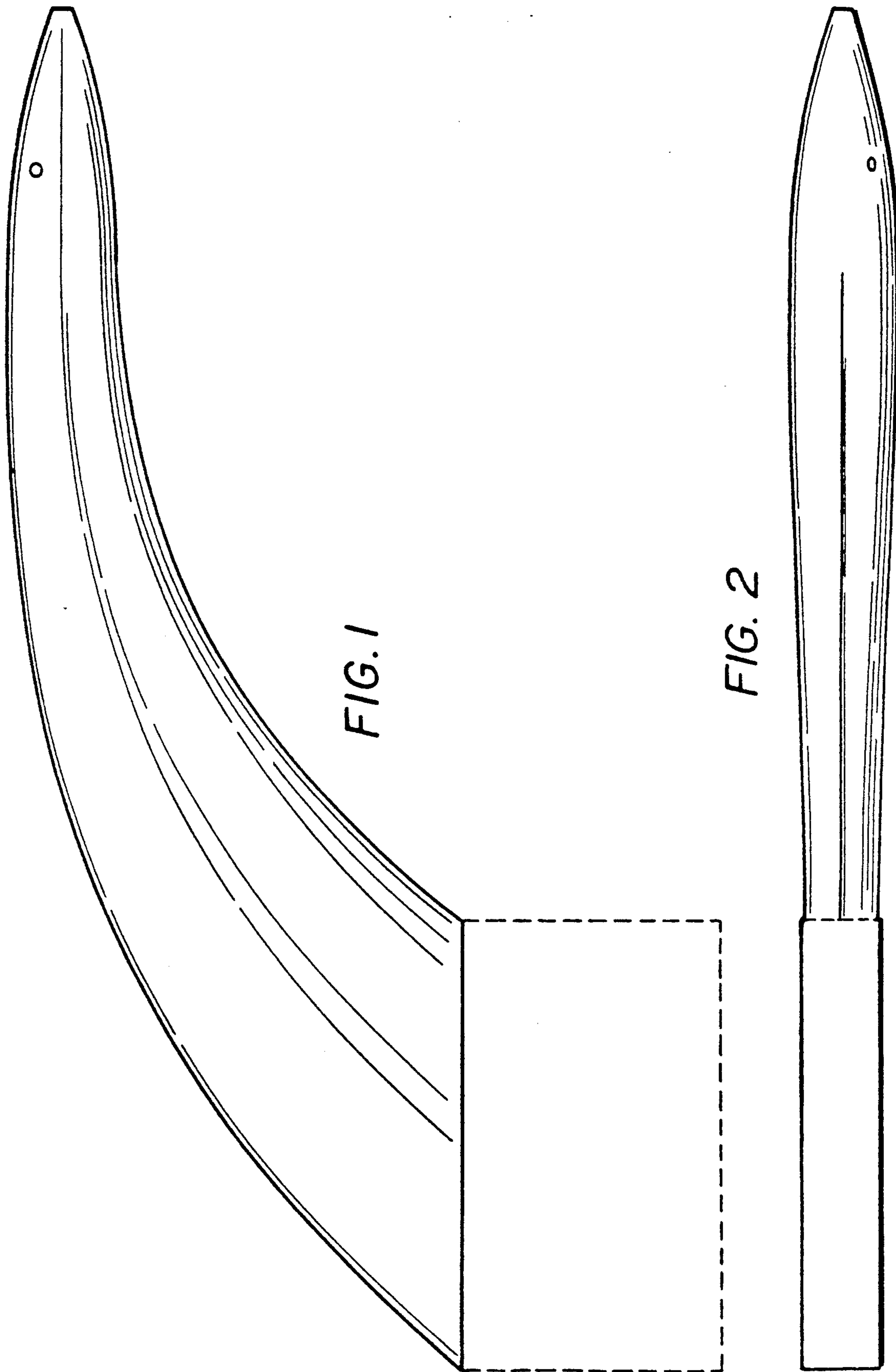


FIG. 1

FIG. 2

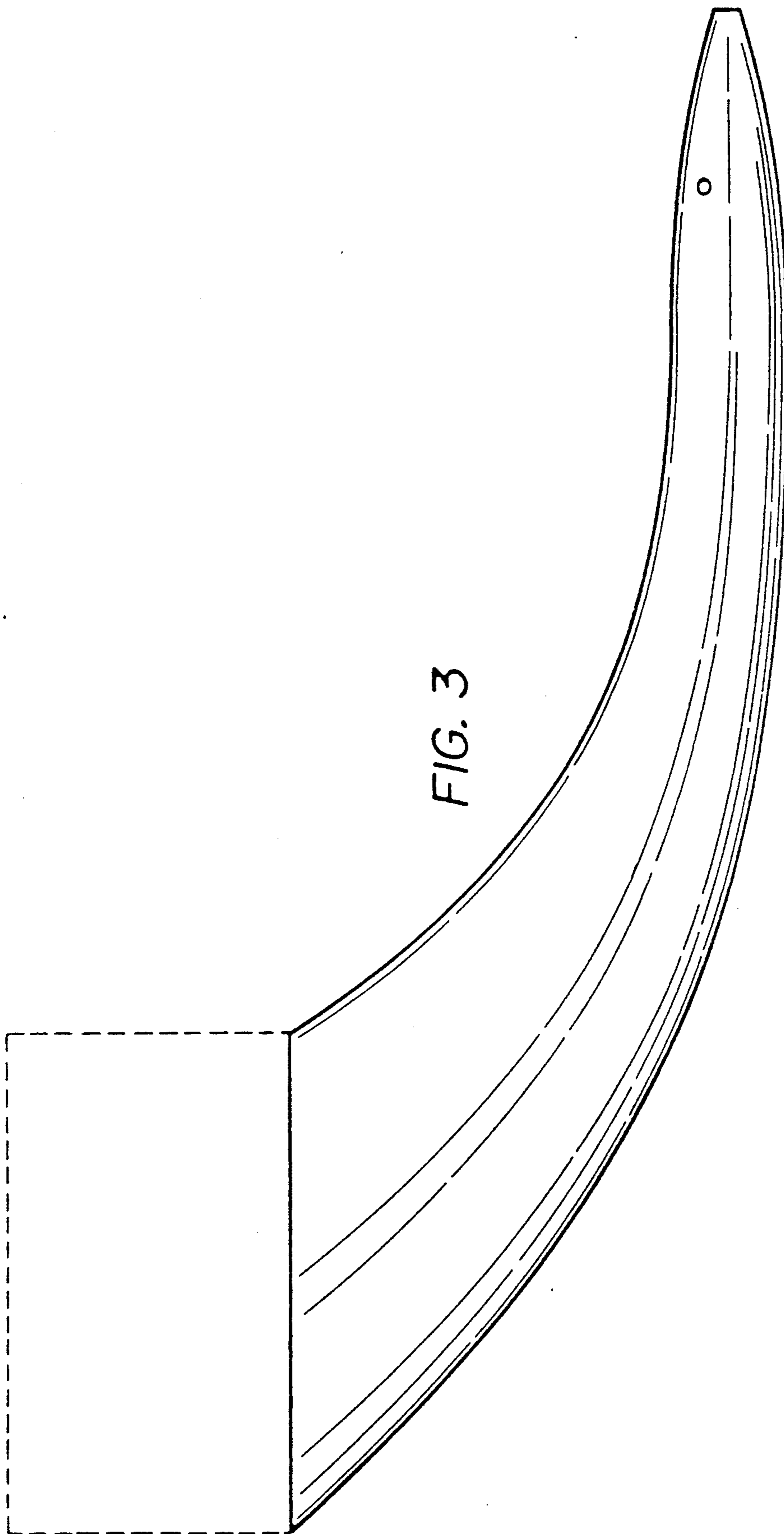


FIG. 3

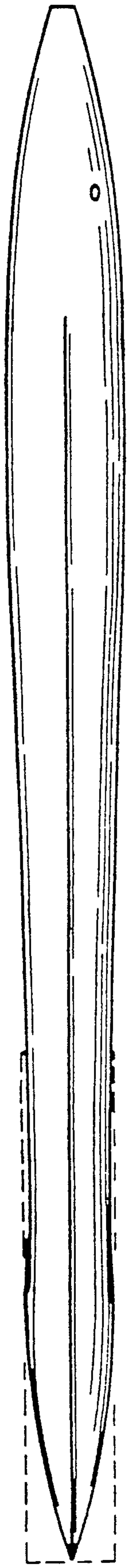


FIG. 4

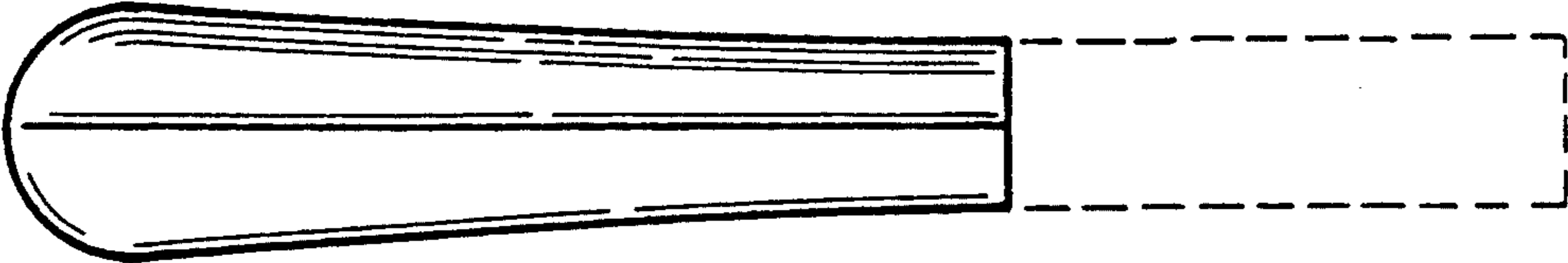


FIG. 6

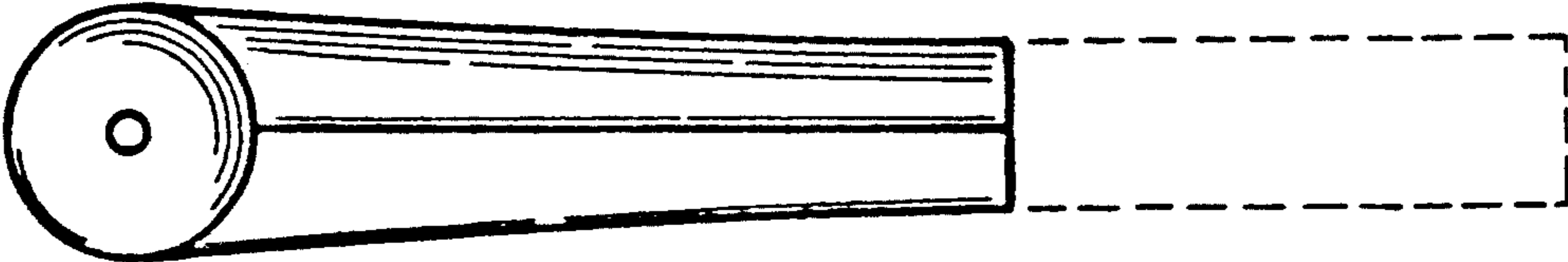


FIG. 5

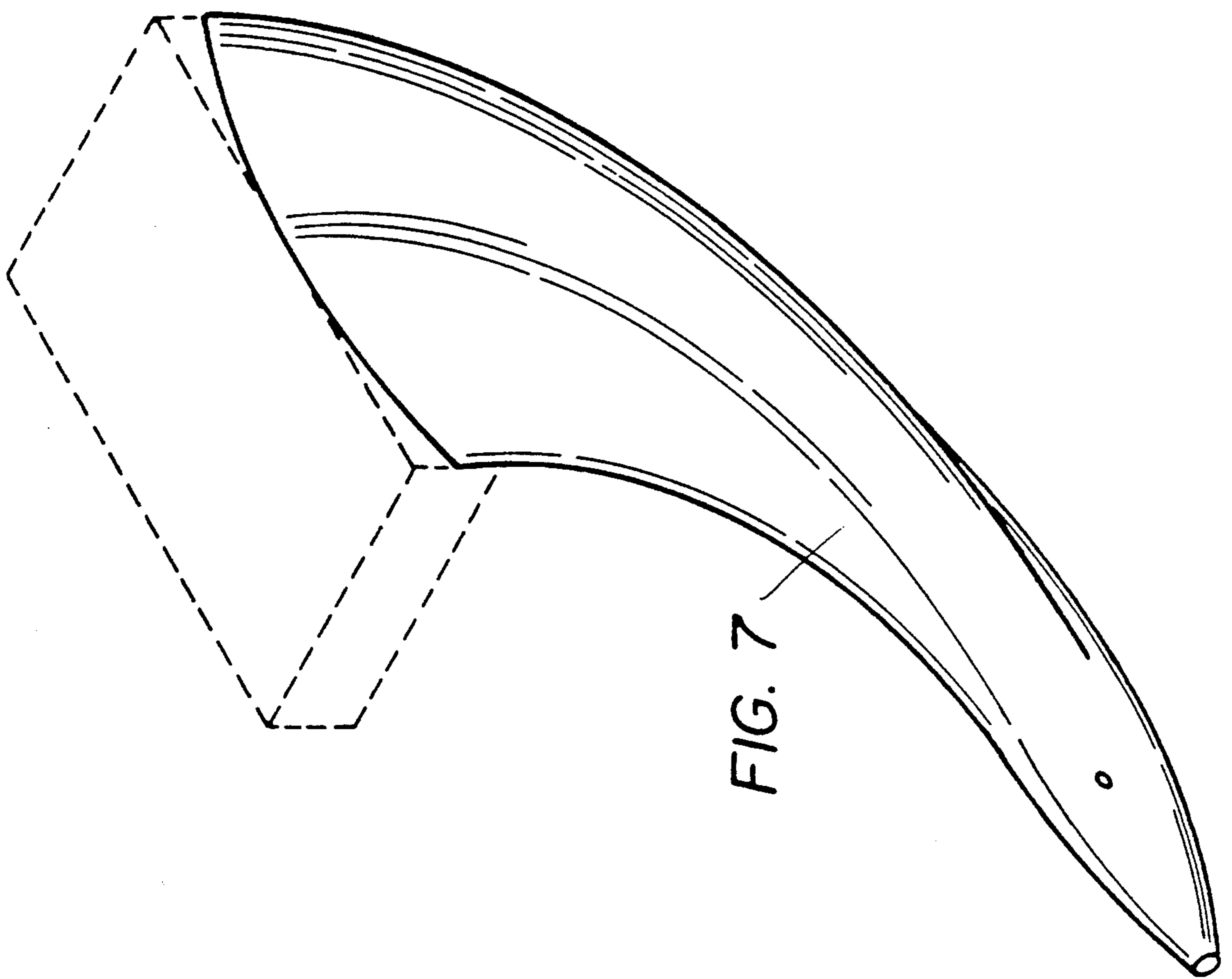


FIG. 8

