



US00D346965S

United States Patent [19]

Wolff

[11] Patent Number: **Des. 346,965**

[45] Date of Patent: **** May 17, 1994**

- [54] **FRAME FOR DIGITAL CLOCK**
- [76] Inventor: **Stephen H. Wolff, 35 W. 35th St.,
New York, N.Y. 10001**
- [**] Term: **14 Years**
- [21] Appl. No.: **664,996**
- [22] Filed: **Mar. 5, 1991**
- [52] U.S. Cl. **D10/1; D10/15;
D10/26; D10/2**
- [58] Field of Search **368/239-242,
368/276-277, 285, 10; D6/300, 302; D10/1-40,
122-132**

D. 274,703 7/1984 Vogel D10/15

Primary Examiner—Nelson C. Holtje
Attorney, Agent, or Firm—Lerner, David, Littenberg,
Krumholz & Mentlik

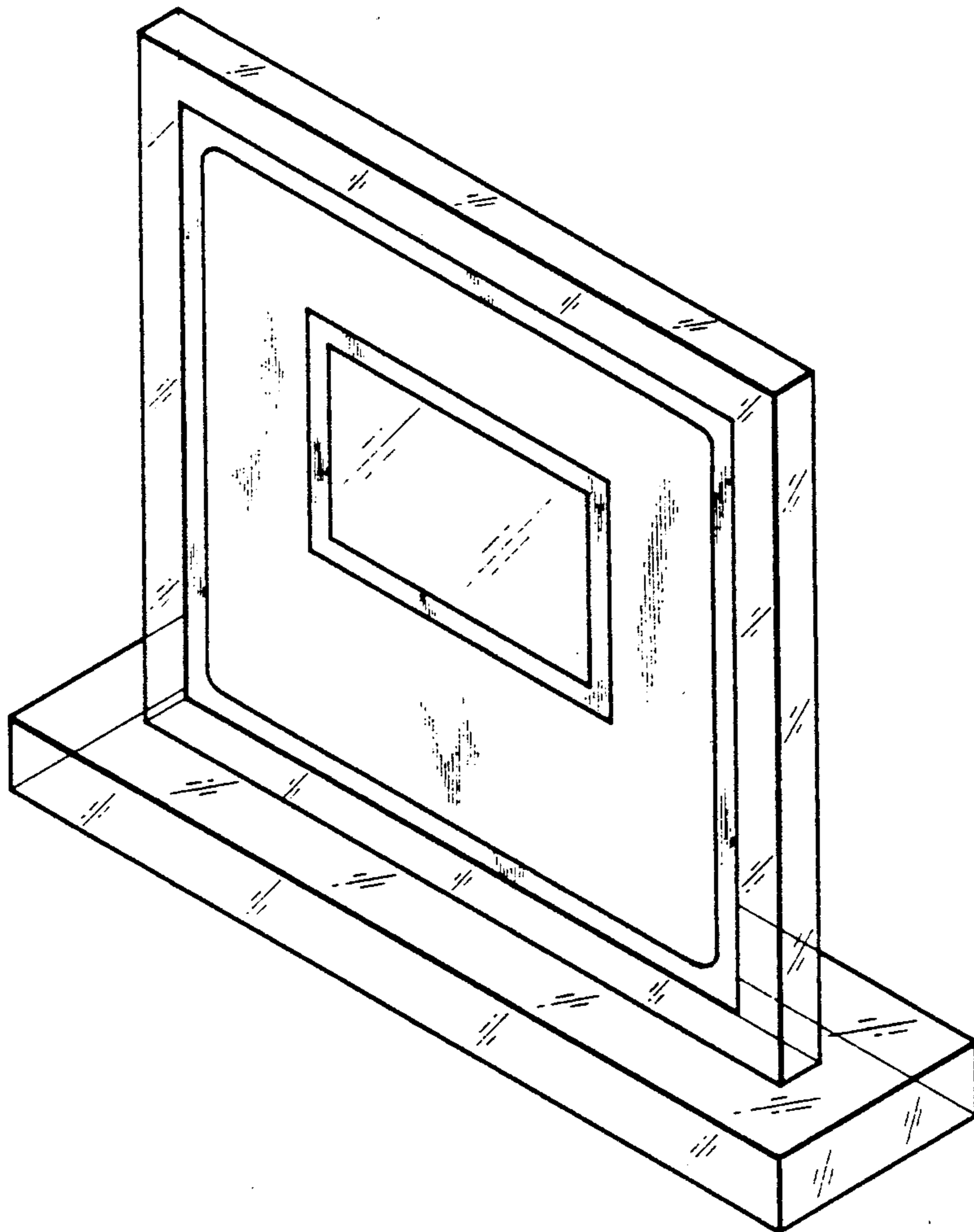
[57] CLAIM

The ornamental design for a frame for digital clock, as shown and described.

DESCRIPTION

FIG. 1 is a front perspective of a frame for digital clock in accordance with the present invention;
 FIG. 2 is a front elevational view of the frame for digital clock shown in FIG. 1;
 FIG. 3 is a rear elevational view of the frame for digital clock shown in FIG. 1;
 FIG. 4 is a right side view (the left side view is the mirror image of the right side view) of the frame for digital clock shown in FIG. 1;
 FIG. 5 is a top view of the frame for digital clock shown in FIG. 1; and,
 FIG. 6 is a bottom view of the frame for digital clock shown in FIG. 1.

- [56] **References Cited**
- U.S. PATENT DOCUMENTS**
- D. 95,161 4/1935 Van Bloem D10/26
- D. 142,431 9/1945 Lewis D10/26 X
- D. 201,453 6/1965 Shipley D10/26
- D. 250,252 11/1978 Booty D10/15
- D. 250,763 1/1979 Boldt D10/2 X
- D. 259,184 5/1981 Francis D10/26 X



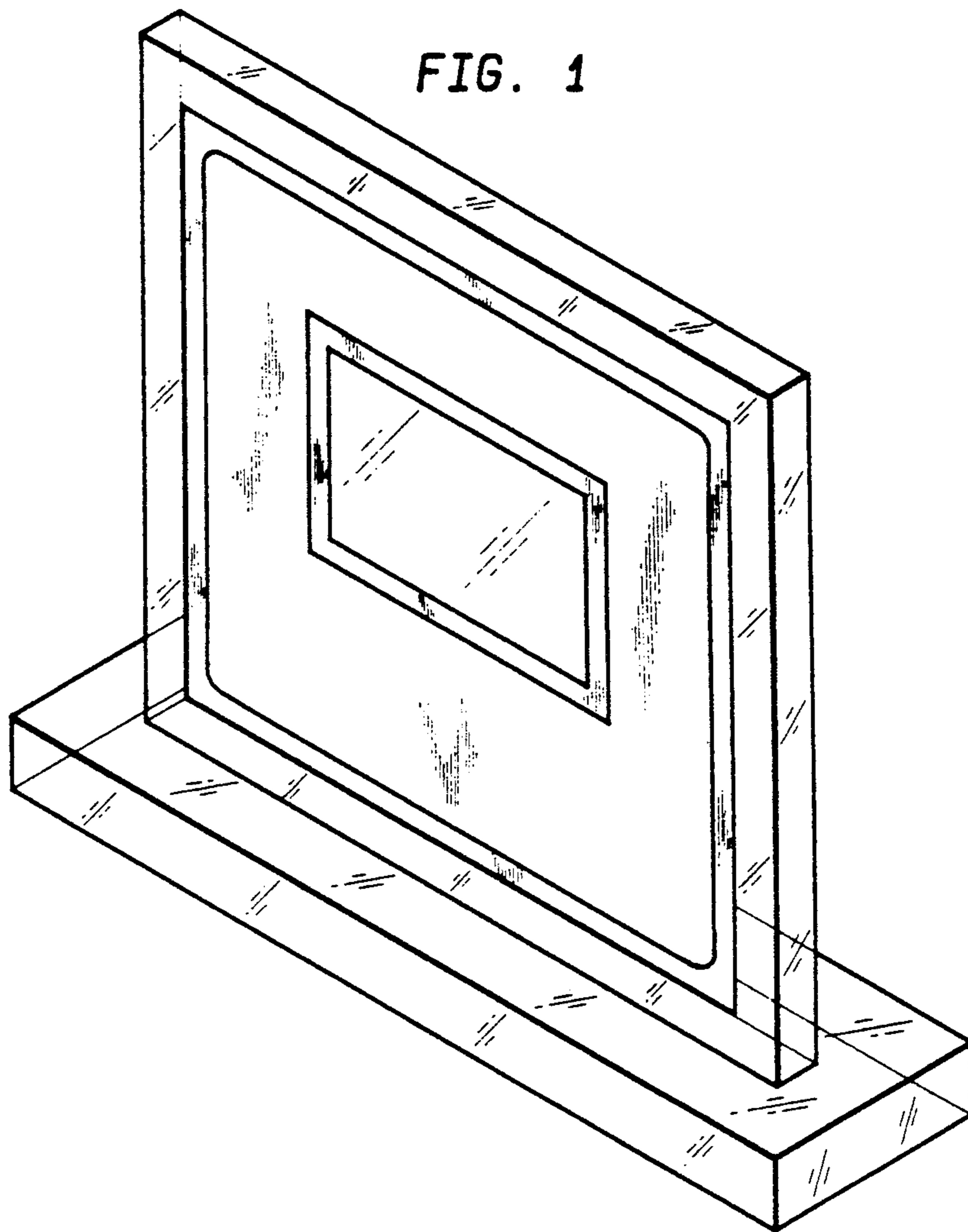


FIG. 2

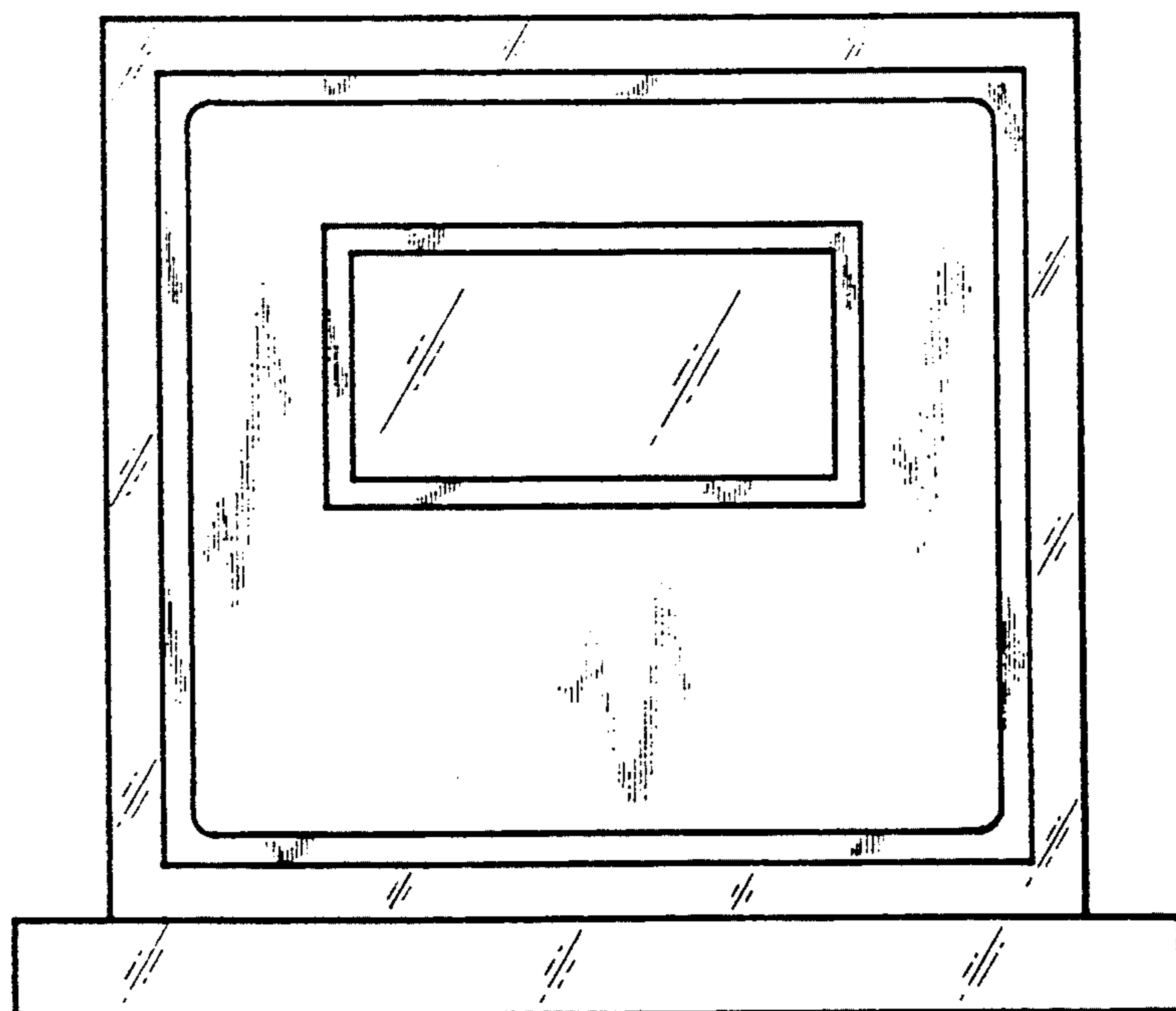


FIG. 4

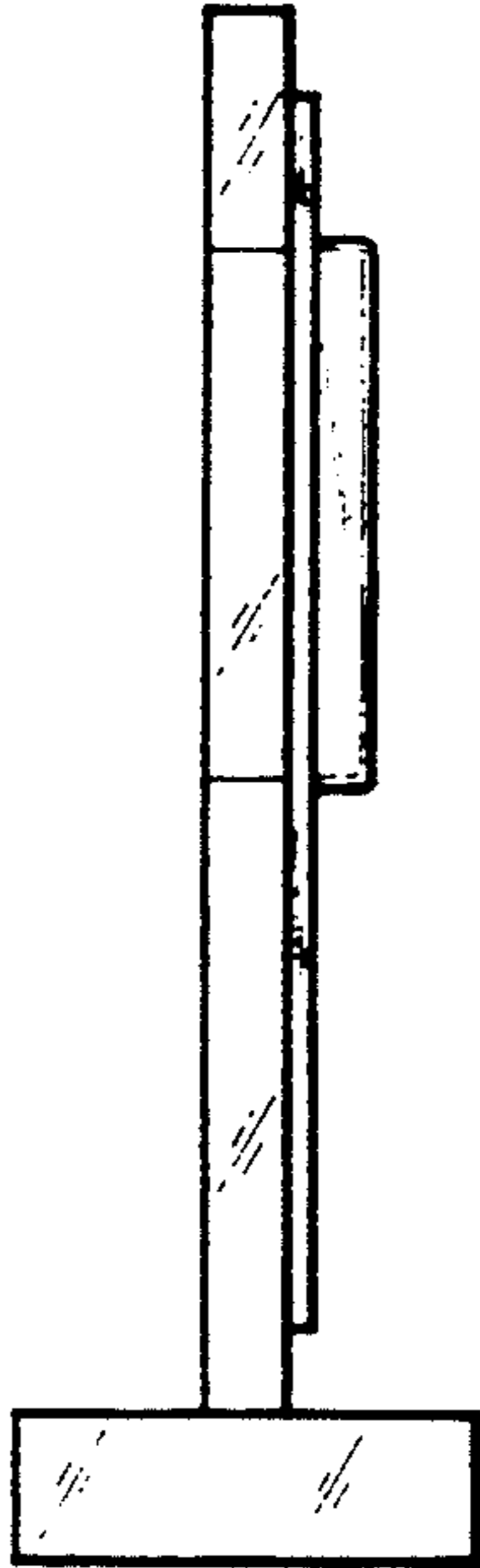


FIG. 3

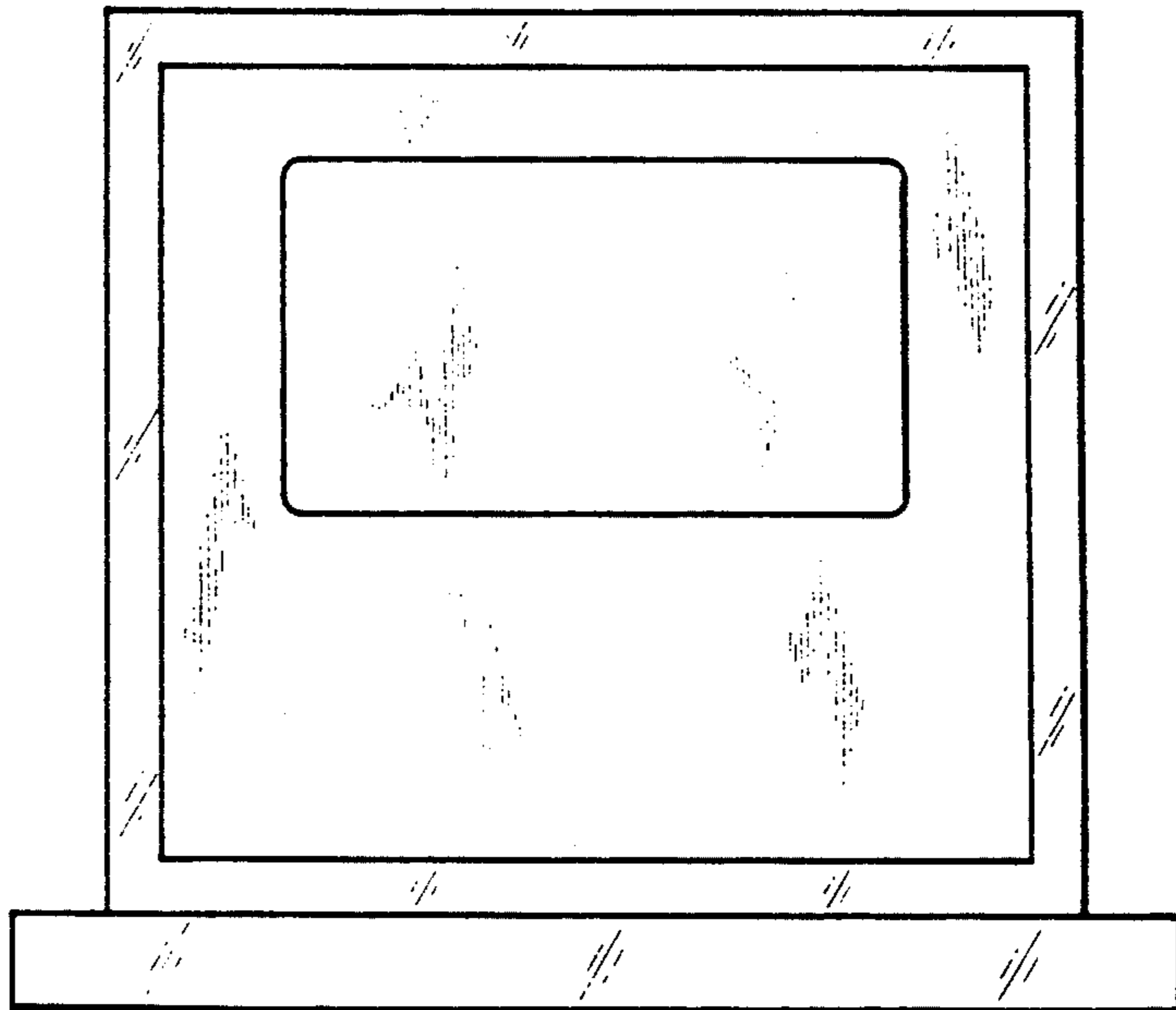


FIG. 5

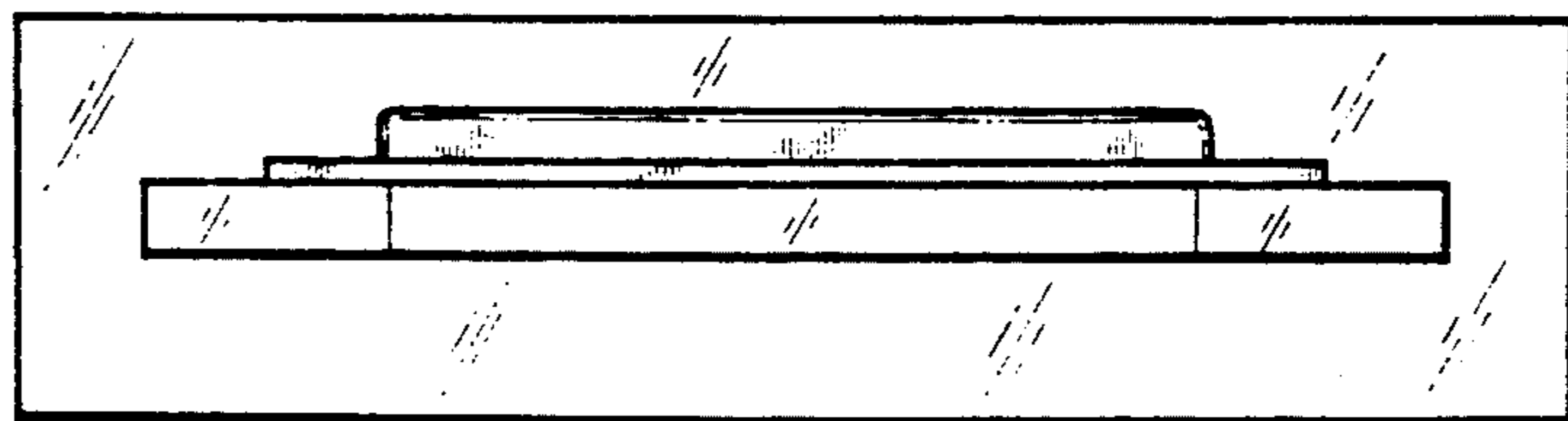


FIG. 6

