



US00D346956S

United States Patent [19] Wigley, Sr.

[11] Patent Number: **Des. 346,956**
[45] Date of Patent: **** May 17, 1994**

- [54] SECURITY DOOR STOP
- [75] Inventor: Charles L. Wigley, Sr., Leeds, Ala.
- [73] Assignee: Common-Sense Industries, Inc., Leeds, Ala.
- [**] Term: 14 Years
- [21] Appl. No.: 816,939
- [22] Filed: Jan. 3, 1992
- [52] U.S. Cl. D8/402
- [58] Field of Search D8/330-331, D8/402; 292/DIG. 15; 16/82, 85, DIG. 17, DIG. 21, 49; D20/41, 43

- [56] **References Cited**
- U.S. PATENT DOCUMENTS**
- D. 270,234 8/1983 Shuster D8/402
 - D. 286,135 10/1986 Looney D8/402
 - 2,976,000 3/1961 Gunderson D20/41 X
 - 4,797,970 1/1989 Charlton 16/DIG. 17 X

Primary Examiner—Brian N. Vinson

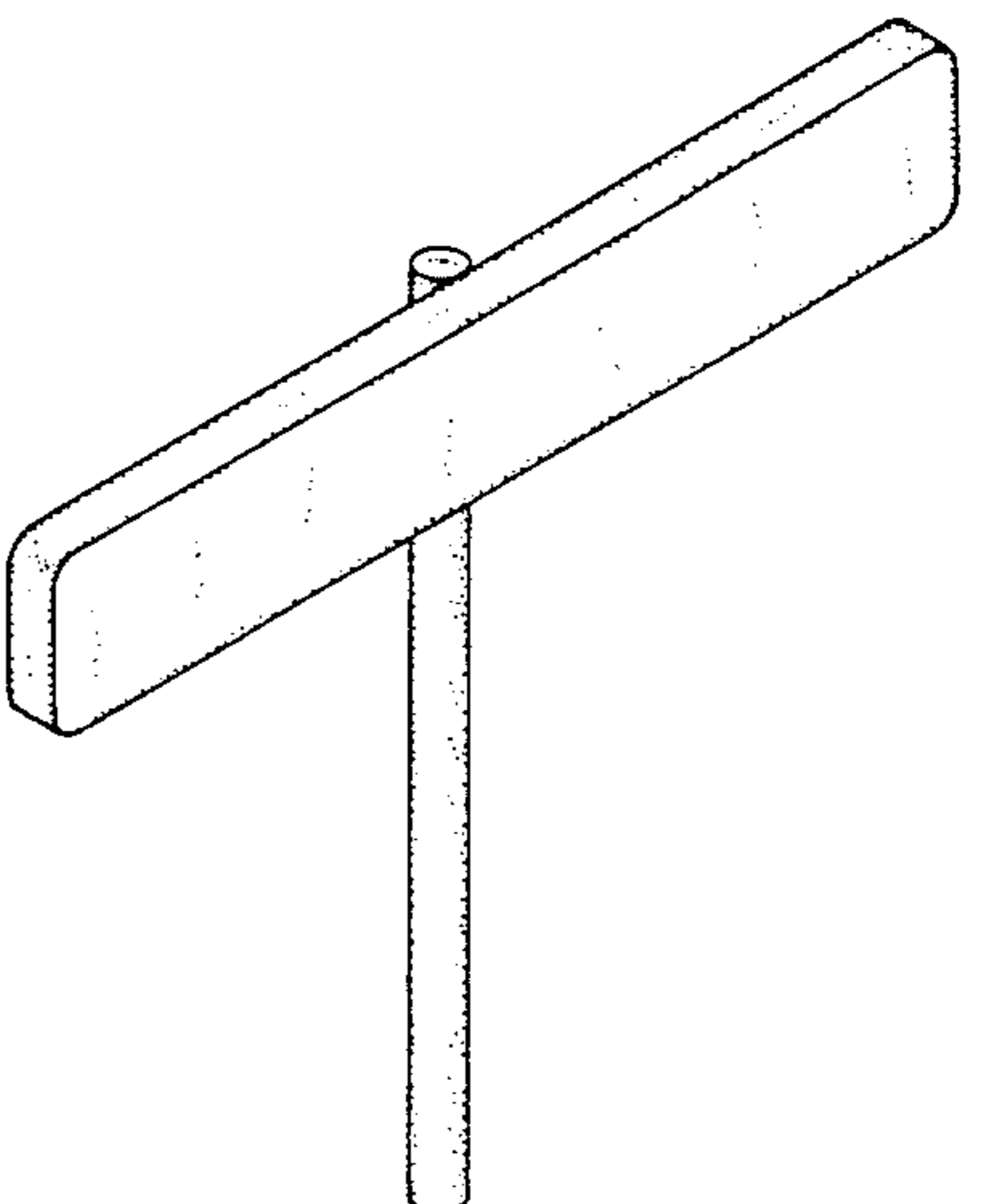
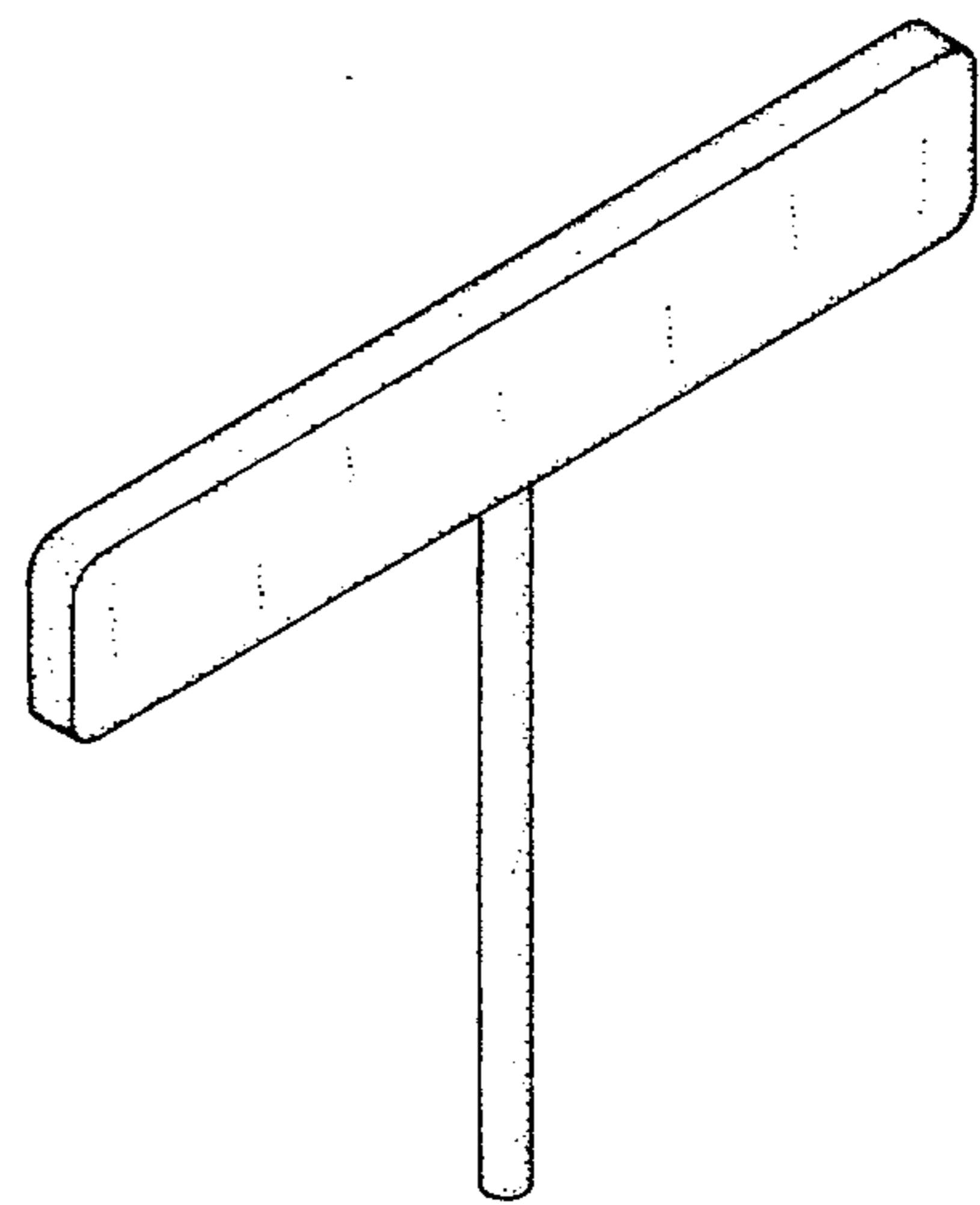
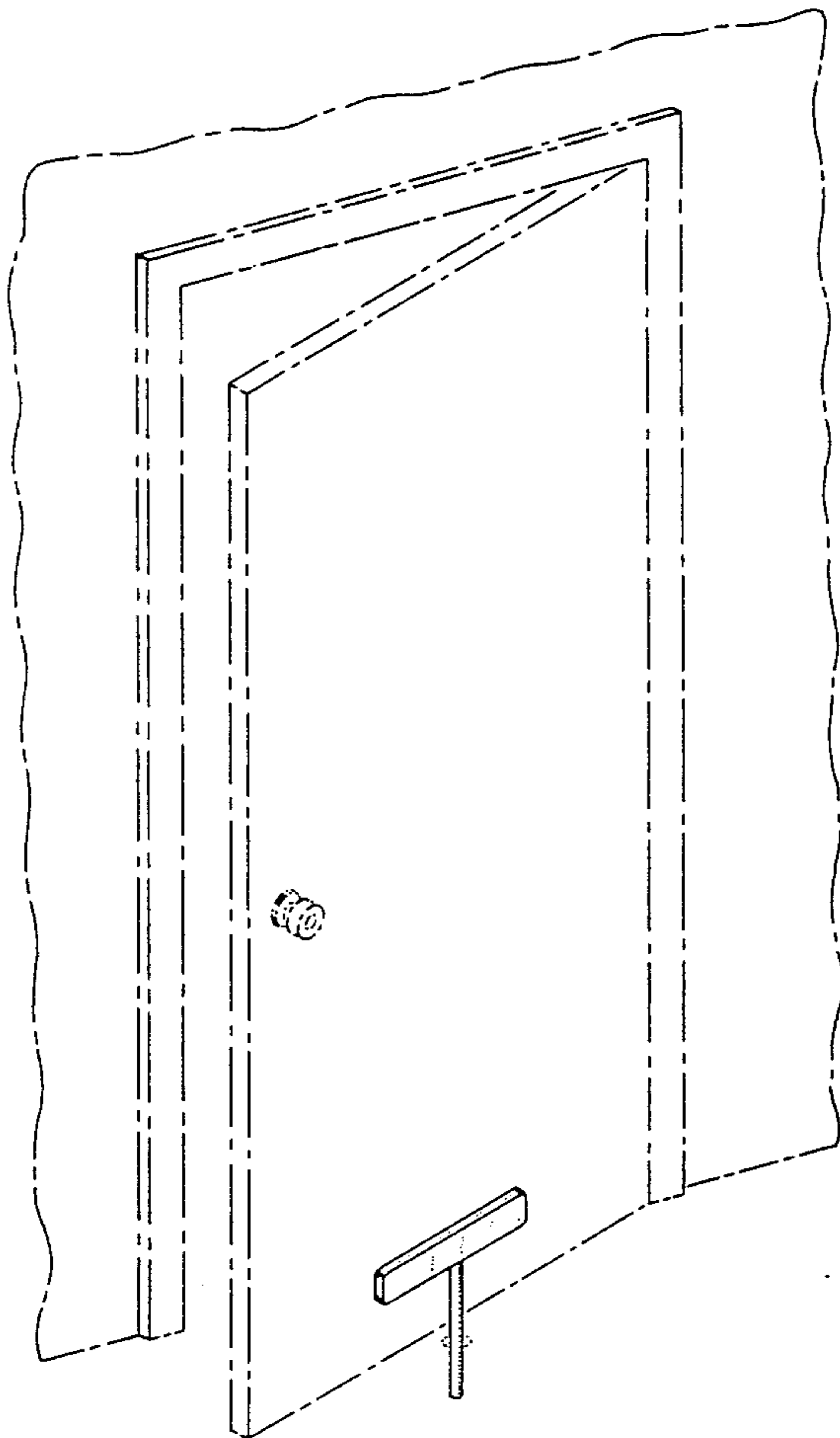
Attorney, Agent, or Firm—Veal & Associates

[57] CLAIM

The ornamental design for a security door stop, as shown and described.

DESCRIPTION

FIG. 1 is a top perspective view of a security door stop showing my new design;
 FIG. 2 is a bottom perspective view thereof;
 FIG. 3 is a front elevational view thereof, the rear being identical to the front;
 FIG. 4 is a top plan view thereof;
 FIG. 5 is a bottom view thereof;
 FIG. 6 is a side elevational view thereof, the side not shown being identical to the side shown;
 FIG. 7 is a reduced top perspective view thereof, with a door and portion of wall being shown in broken lines for illustrative purposes only and forming no part of the claimed design;
 FIG. 8 is a top perspective view of an alternate embodiment; and,
 FIG. 9 is a bottom perspective view of an alternate embodiment.



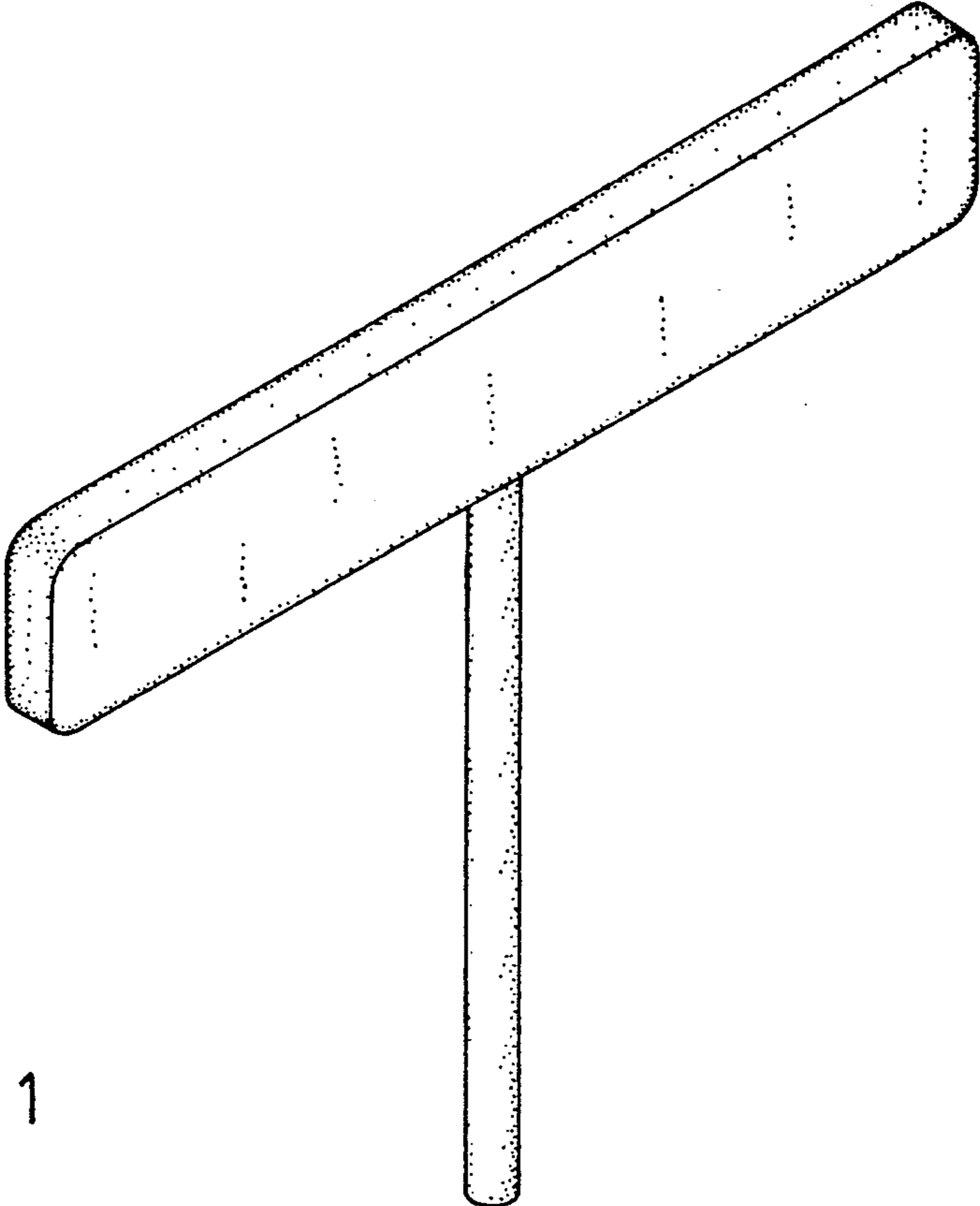


FIG. 1

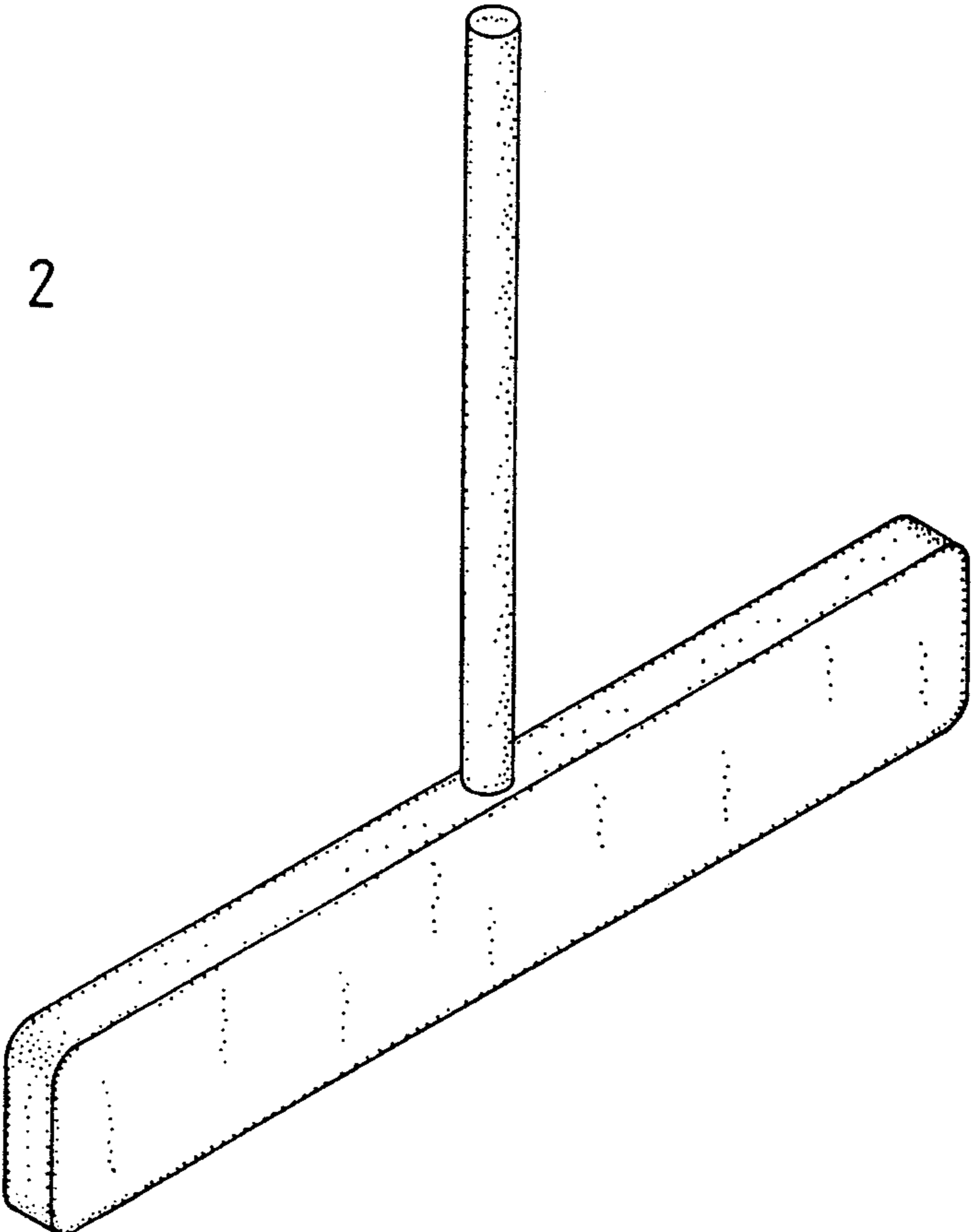


FIG. 2

FIG. 3

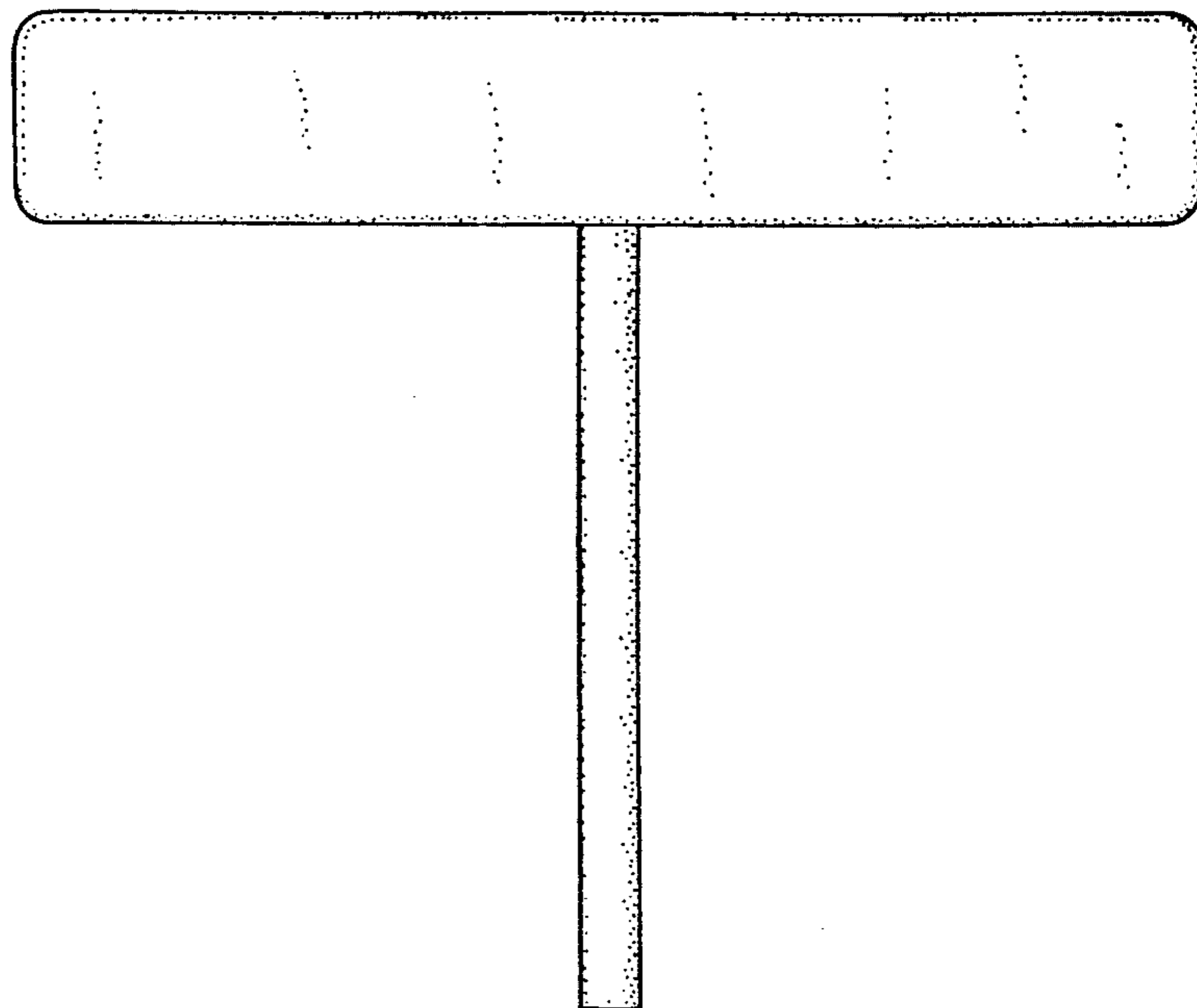


FIG. 4



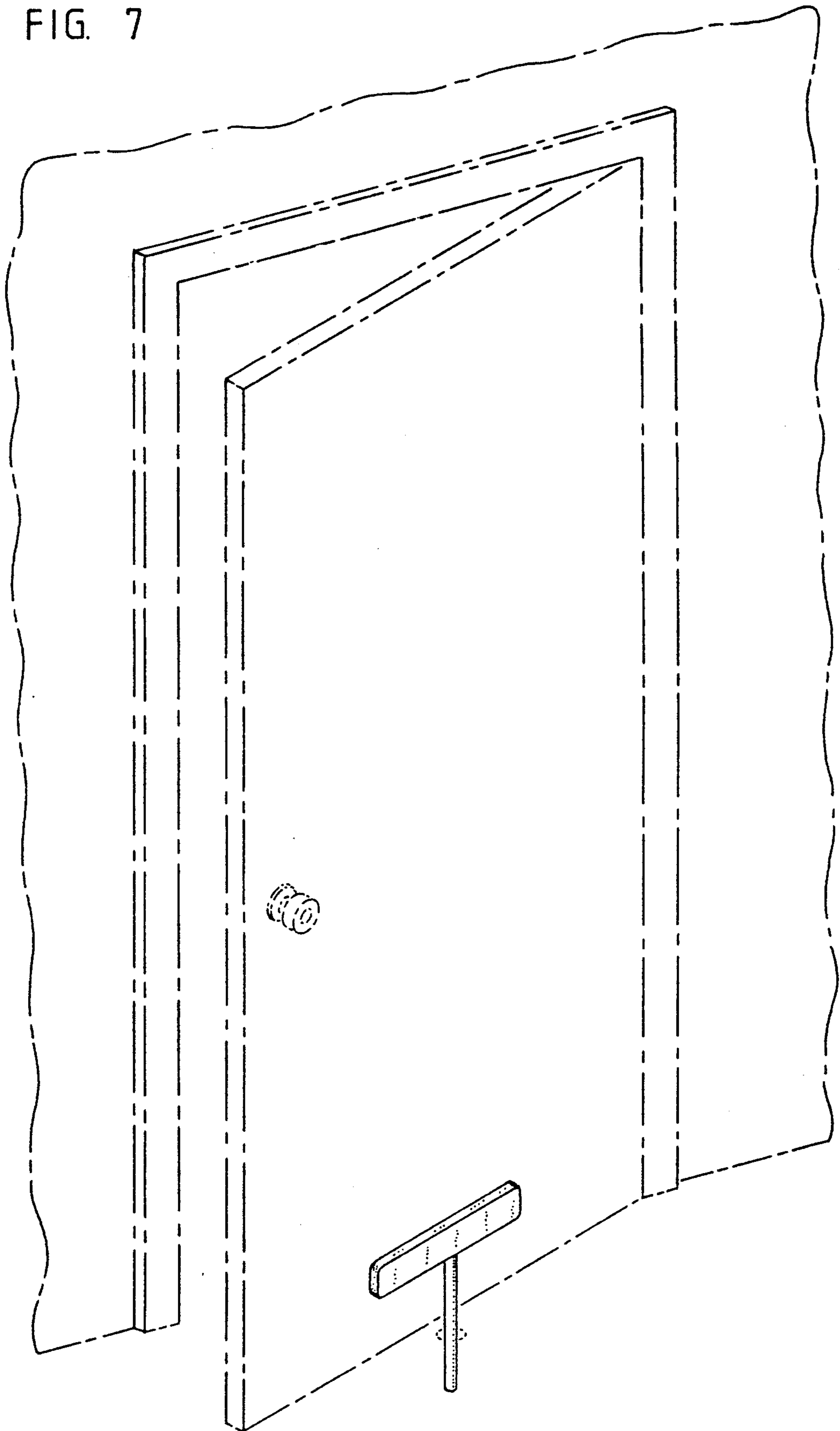
FIG. 5



FIG. 6



FIG. 7



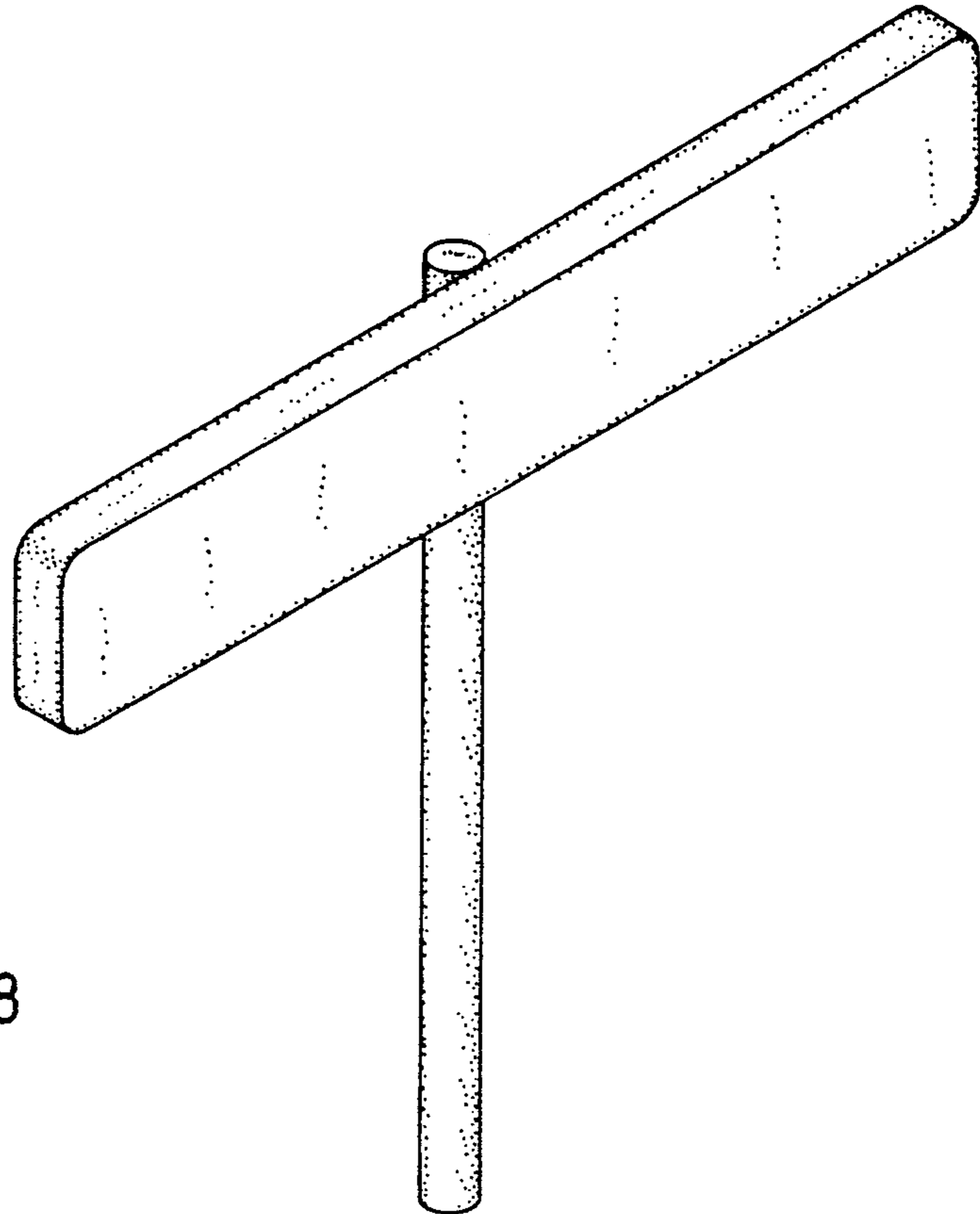


FIG. 8

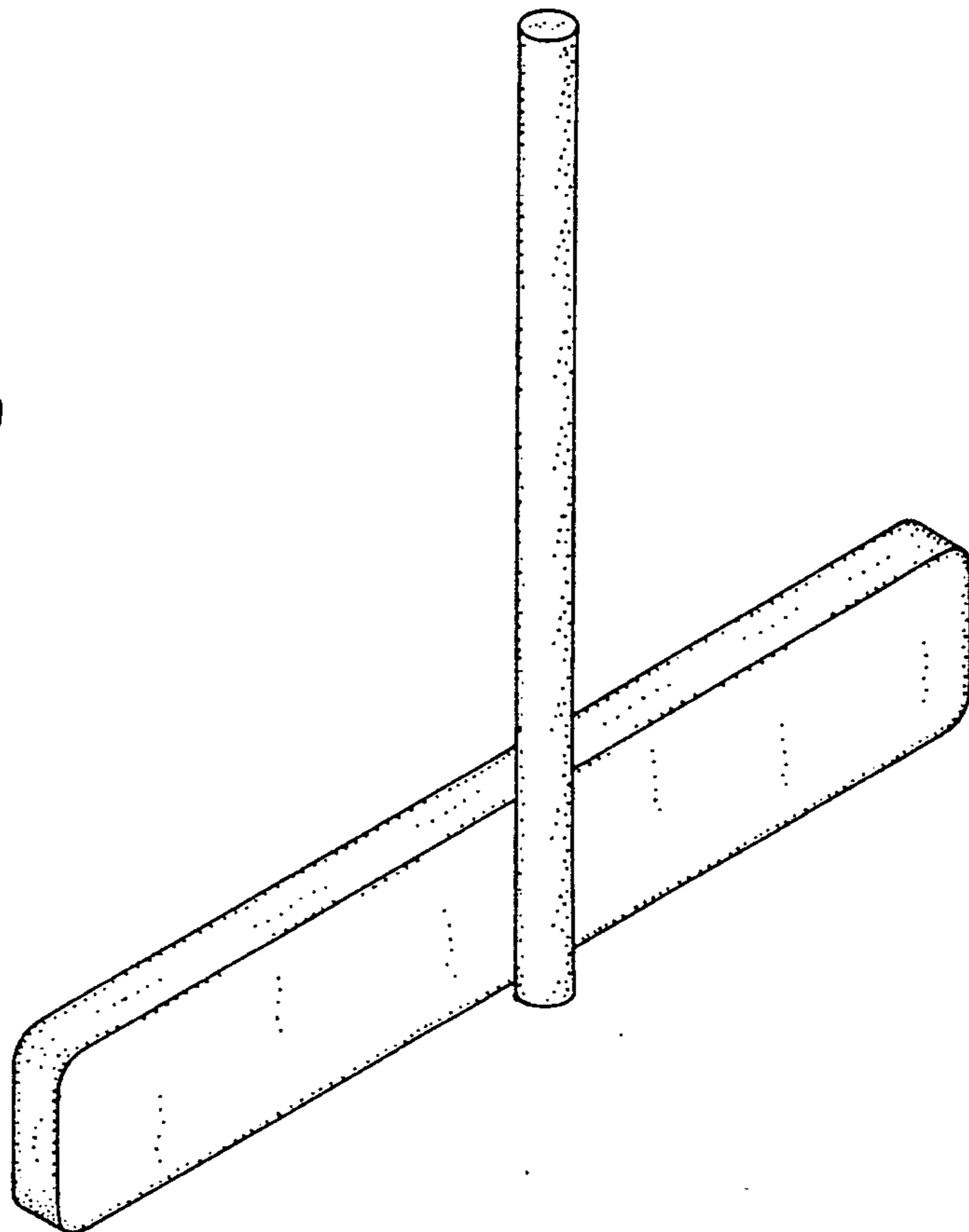


FIG. 9