



US00D346953S

# United States Patent [19]

[11] Patent Number: **Des. 346,953**

Scicluna

[45] Date of Patent: **\*\* May 17, 1994**

[54] WHEEL ASSEMBLY FOR LUGGAGE

3,889,966 6/1975 Zeitlin ..... 190/18 A  
4,422,212 12/1983 Sheiman et al. .... 280/37 X

[75] Inventor: Paul V. Scicluna, Penndel, Pa.

[73] Assignee: York Partners, L.P., Lambertville, N.J.

Primary Examiner—Theodore M. Shooman  
Assistant Examiner—Paula Mortimer  
Attorney, Agent, or Firm—Shapiro and Shapiro

[\*\*] Term: 14 Years

[57] CLAIM

[21] Appl. No.: 903,824

The ornamental design for a wheel assembly for luggage, as shown and described.

[22] Filed: Jun. 24, 1992

DESCRIPTION

[52] U.S. Cl. .... D8/375; D3/318; D3/279

[58] Field of Search ..... D3/76, 71, 99, 30.1; D8/375, 374; 190/18 A; 280/37

FIG. 1 is a bottom plan view of a wheel assembly for luggage showing my new design, the top plan view is plain and unornamented;

FIG. 2 is a side elevational view thereof, the opposite side is similar, except for a difference in height as best illustrated by FIG. 3;

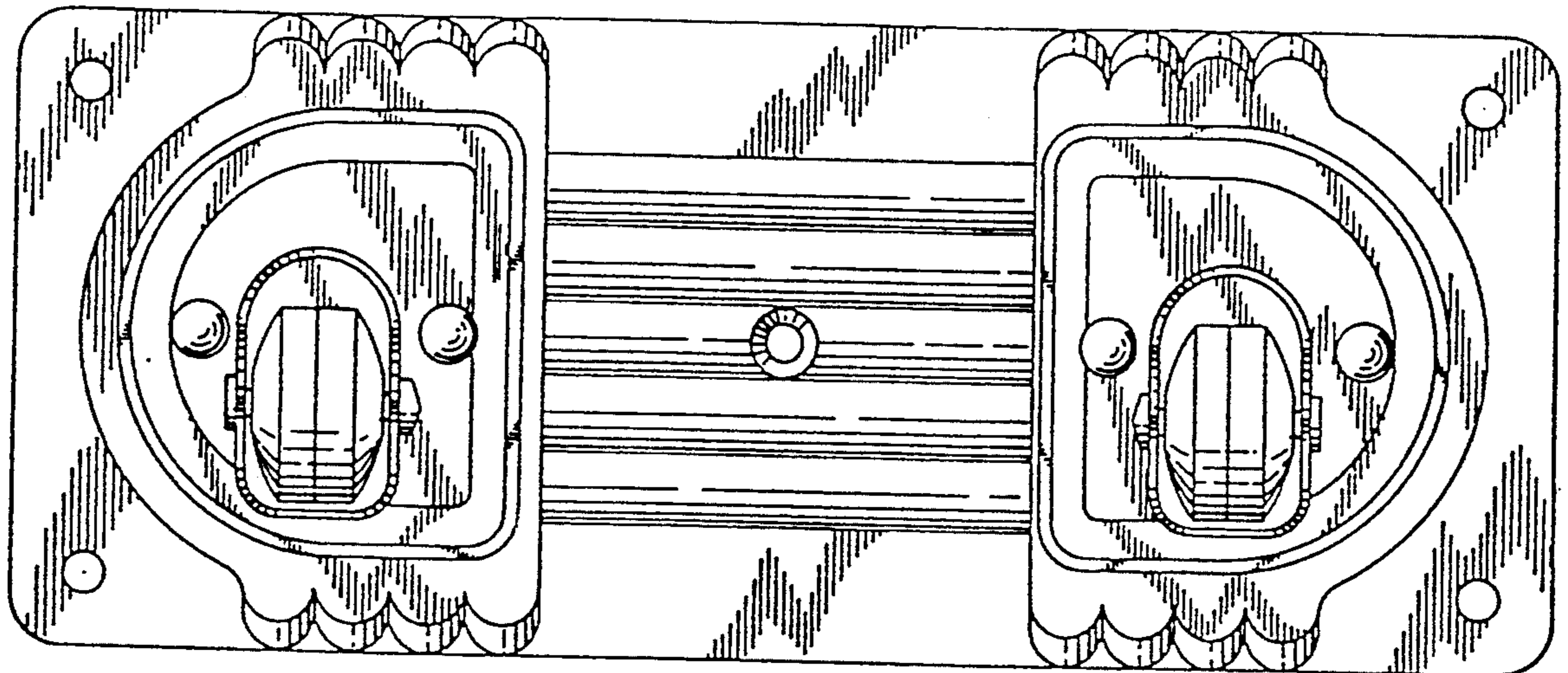
FIG. 3 is an end elevational view thereof, the opposite end is a mirror image; and,

FIG. 4 is a partial exploded perspective view broken away for purposes of illustration.

[56] References Cited

U.S. PATENT DOCUMENTS

- D. 259,996 7/1981 Shetman et al. .... D8/375
- D. 275,832 10/1984 Kotkins, Jr. .... D3/99 X
- 3,655,215 4/1972 Becklin ..... 280/37 X



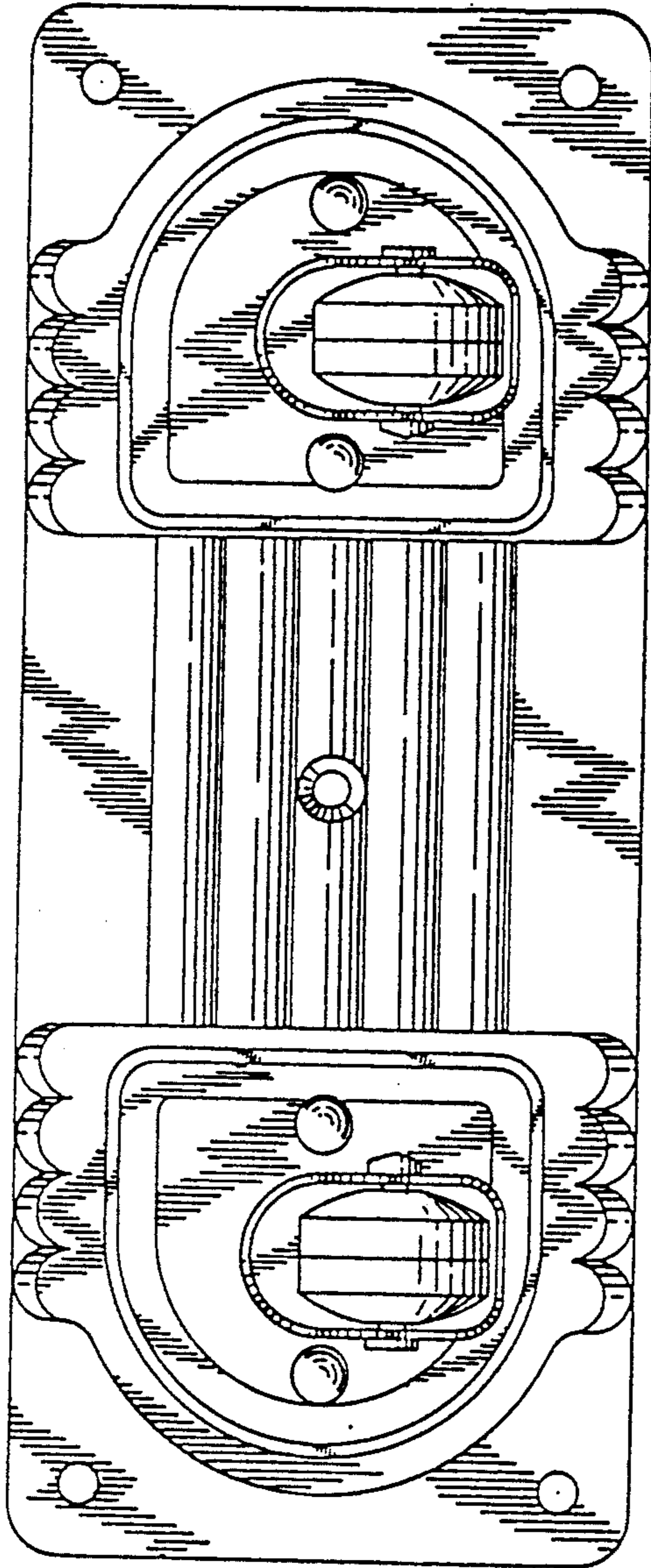


FIG. 1

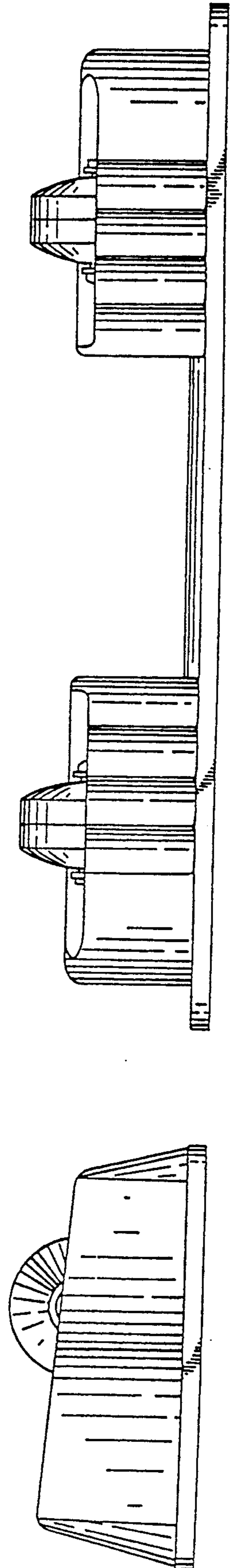


FIG. 2

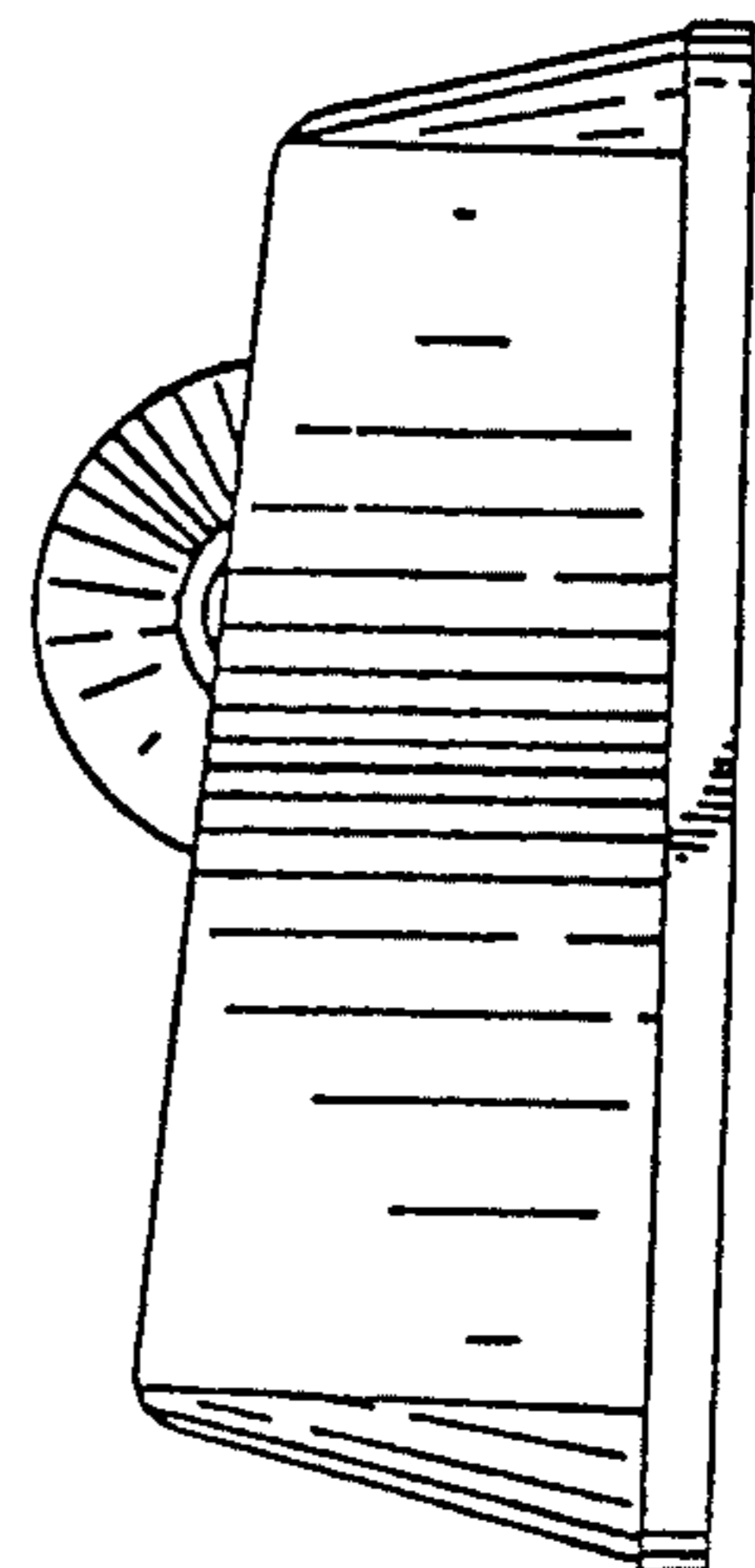


FIG. 3

