



US00D346951S

United States Patent [19] Oberson

[11] Patent Number: **Des. 346,951**
[45] Date of Patent: **** May 17, 1994**

[54] **HOOK**
[75] Inventor: **Maurice Oberson, Verdun, Canada**
[73] Assignee: **SportRack Canada Inc., Grandy, Canada**

| | | | |
|-----------|---------|------------------|-----------|
| 1,637,981 | 8/1927 | Baldwin | 24/130 X |
| 2,206,560 | 7/1940 | Embury | 248/301 |
| 3,087,214 | 4/1963 | Poterbaugh | 24/300 |
| 3,575,371 | 4/1971 | Carlstedt | 248/340 X |
| 3,952,985 | 4/1976 | Davenport | 248/489 X |
| 4,971,380 | 11/1990 | Cote et al. | 248/301 |

[**] Term: **14 Years**

Primary Examiner—Wallace R. Burke
Assistant Examiner—Holly H. Baynham
Attorney, Agent, or Firm—Swabey Ogilvy Renault

[21] Appl. No.: **2,896**

[22] Filed: **Dec. 22, 1992**

[57] CLAIM

[30] Foreign Application Priority Data

Sep. 1, 1992 [CA] Canada 0109928

[52] U.S. Cl. **D8/367**

[58] Field of Search D8/367, 371; 24/265 H,
24/300; 248/493, 340, 301-304

The ornamental design for a hook, as shown and described.

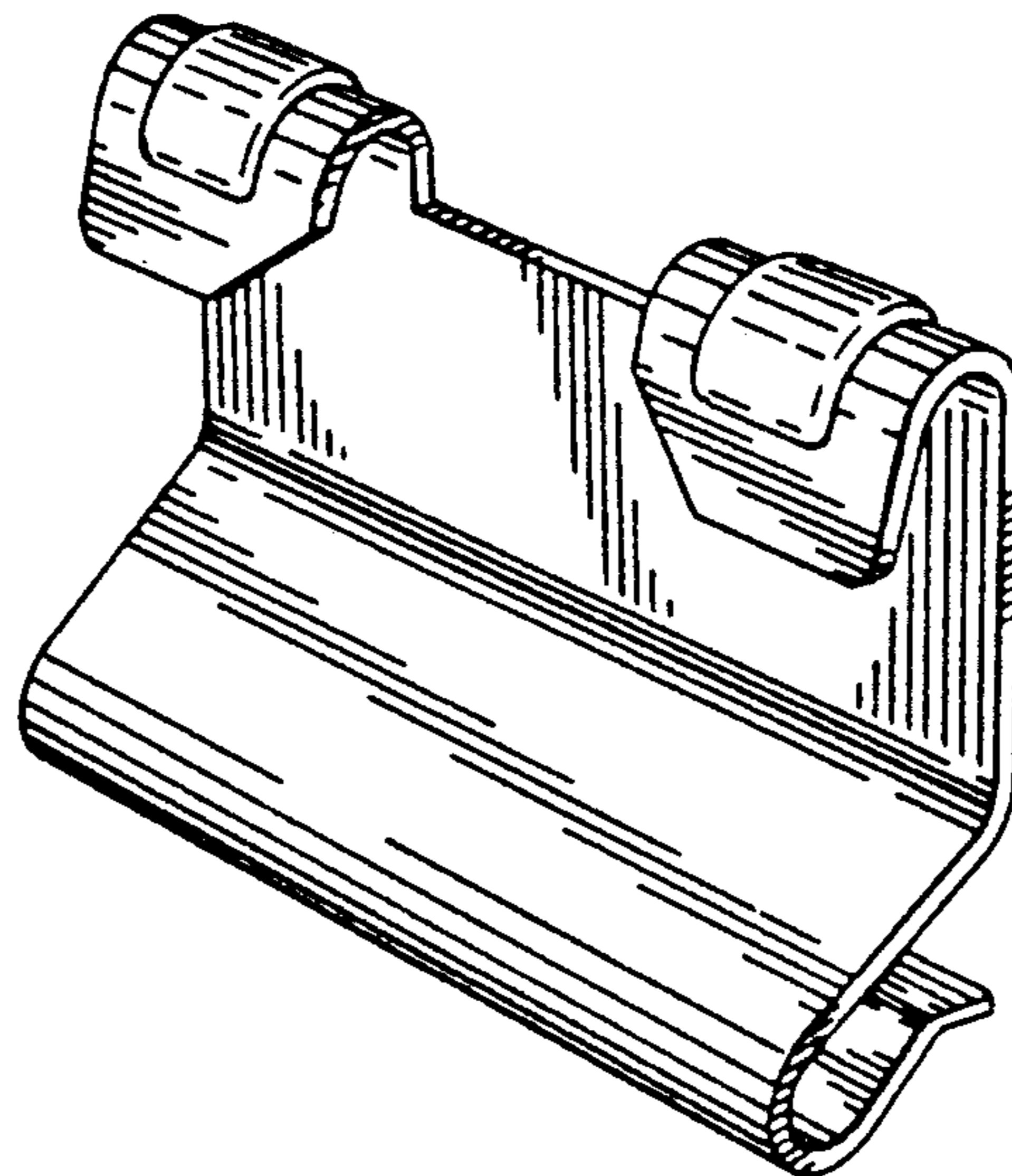
DESCRIPTION

[56] References Cited

U.S. PATENT DOCUMENTS

| | | | |
|------------|--------|-----------------------|----------|
| D. 241,222 | 8/1976 | Edwards | D8/373 X |
| D. 315,669 | 3/1991 | Paul | D8/367 X |
| D. 316,956 | 5/1991 | Hoskinson et al. | D8/367 X |

FIG. 1 is a perspective view of the hook showing my new design;
FIG. 2 is a side elevational view thereof, the opposite view being identical;
FIG. 3 is a front elevational view thereof;
FIG. 4 is a top plan view thereof;
FIG. 5 is a bottom plan view thereof; and,
FIG. 6 is a rear elevational view thereof.



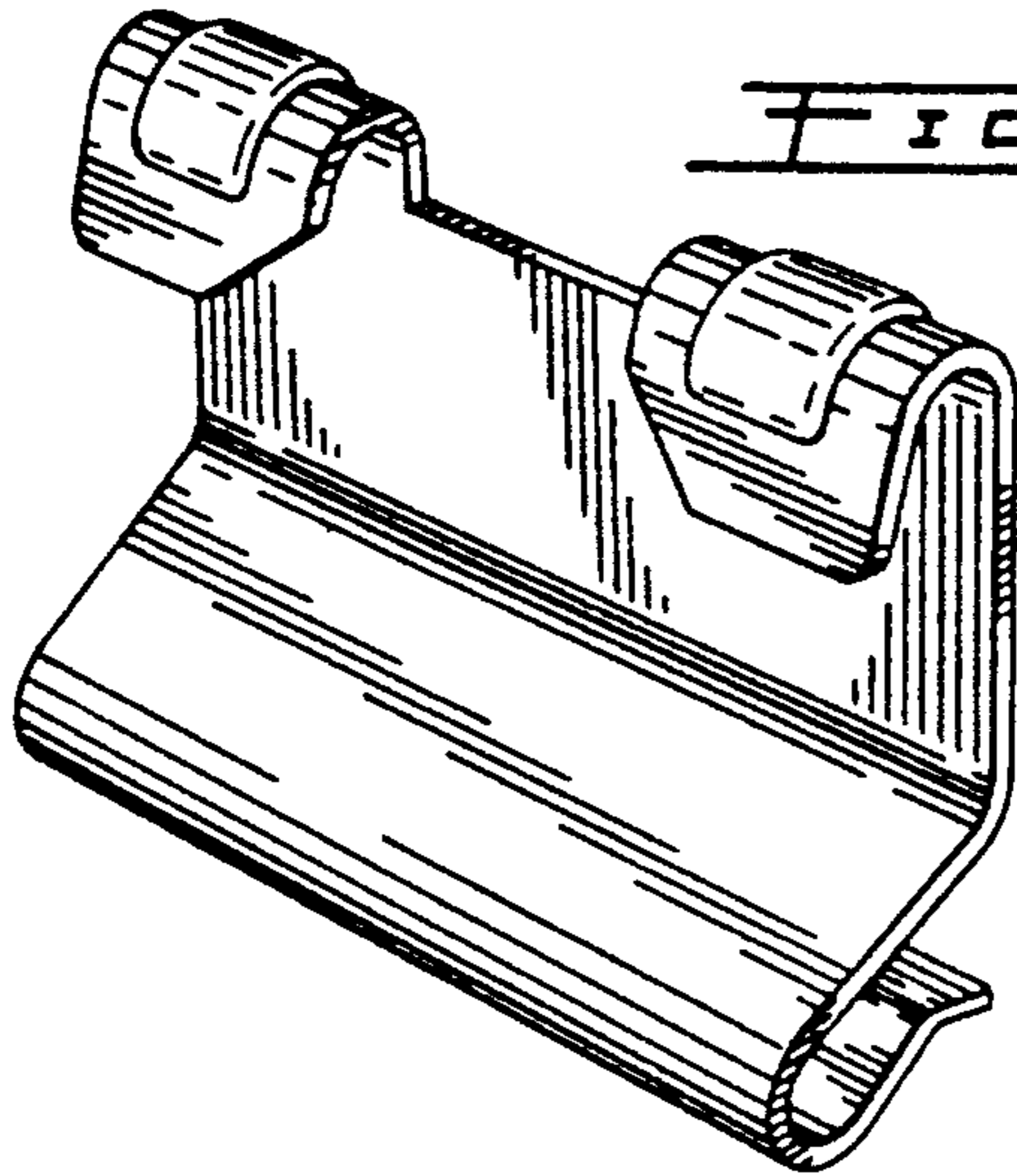


FIG. 1

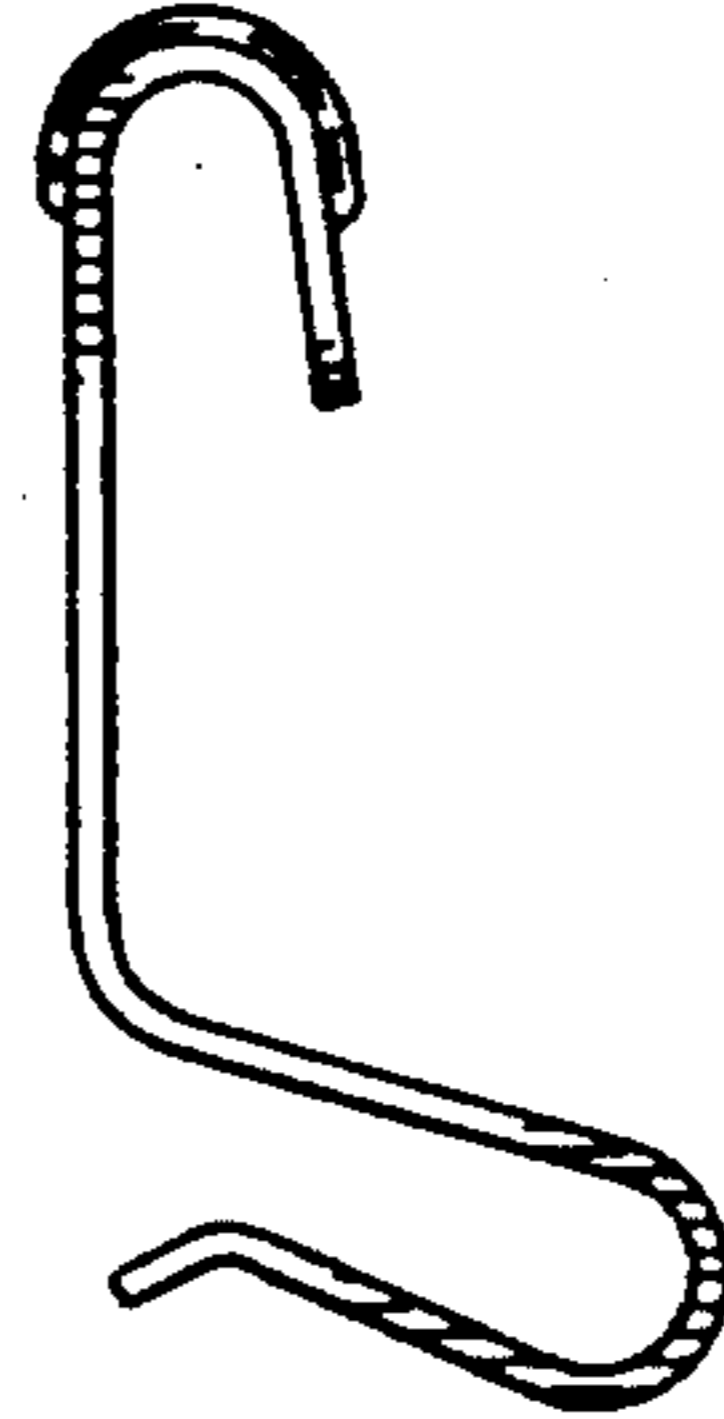


FIG. 2

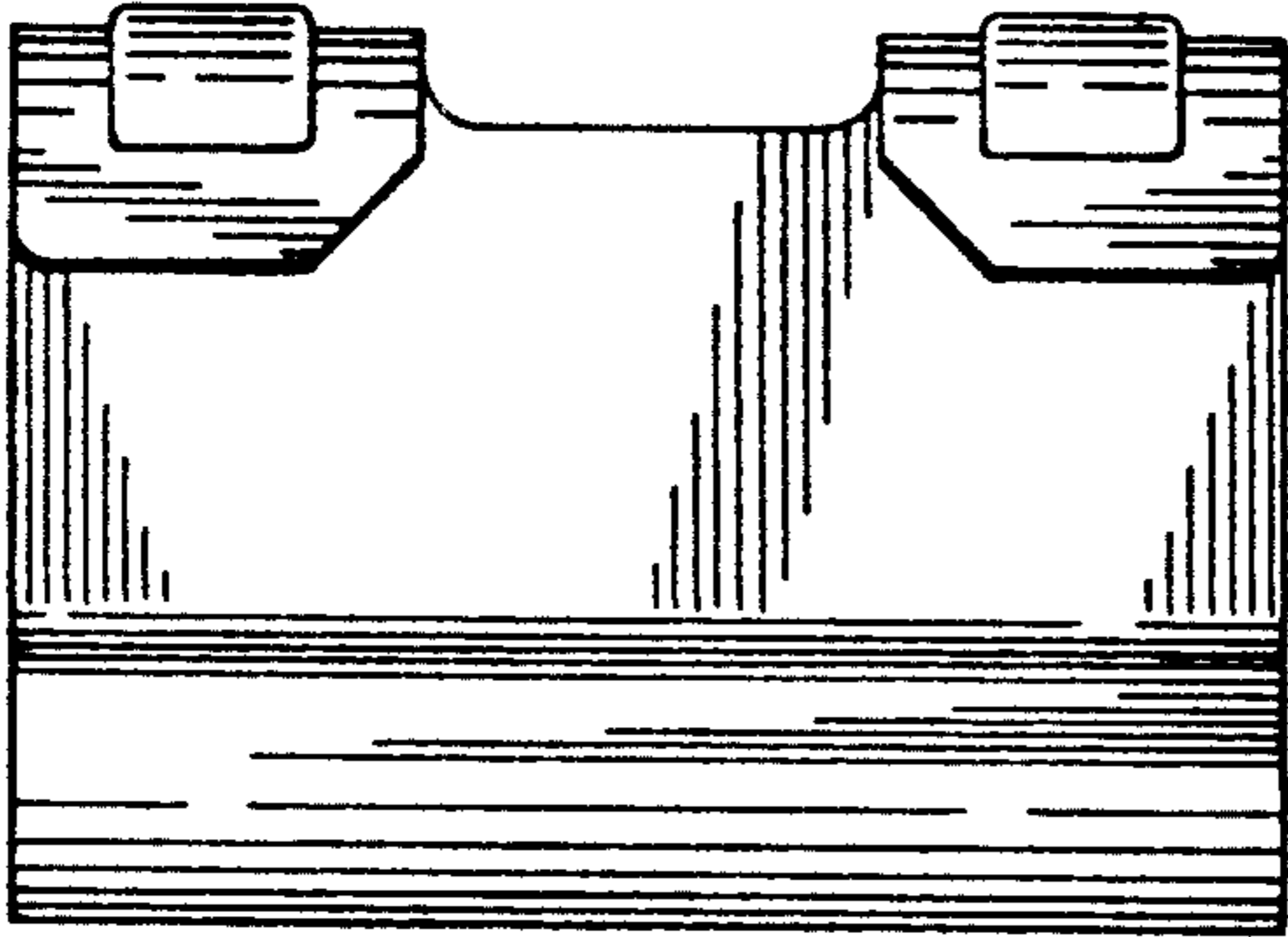


FIG. 3

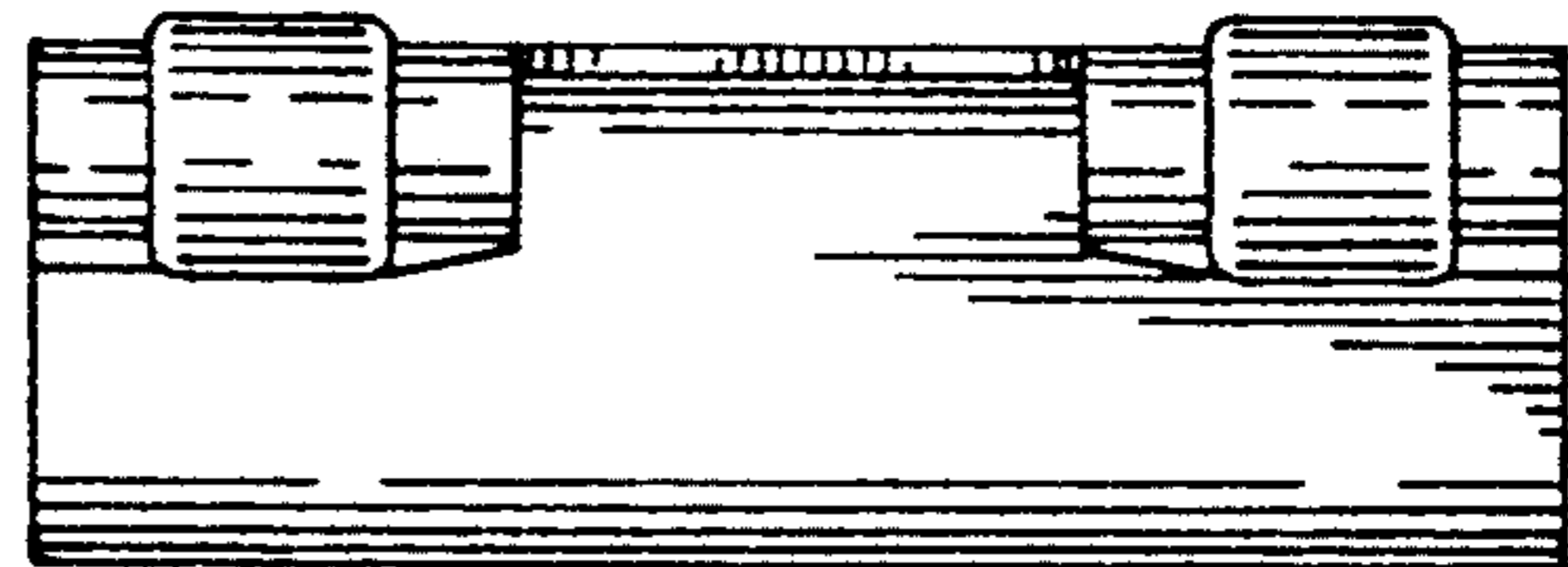


FIG. 4

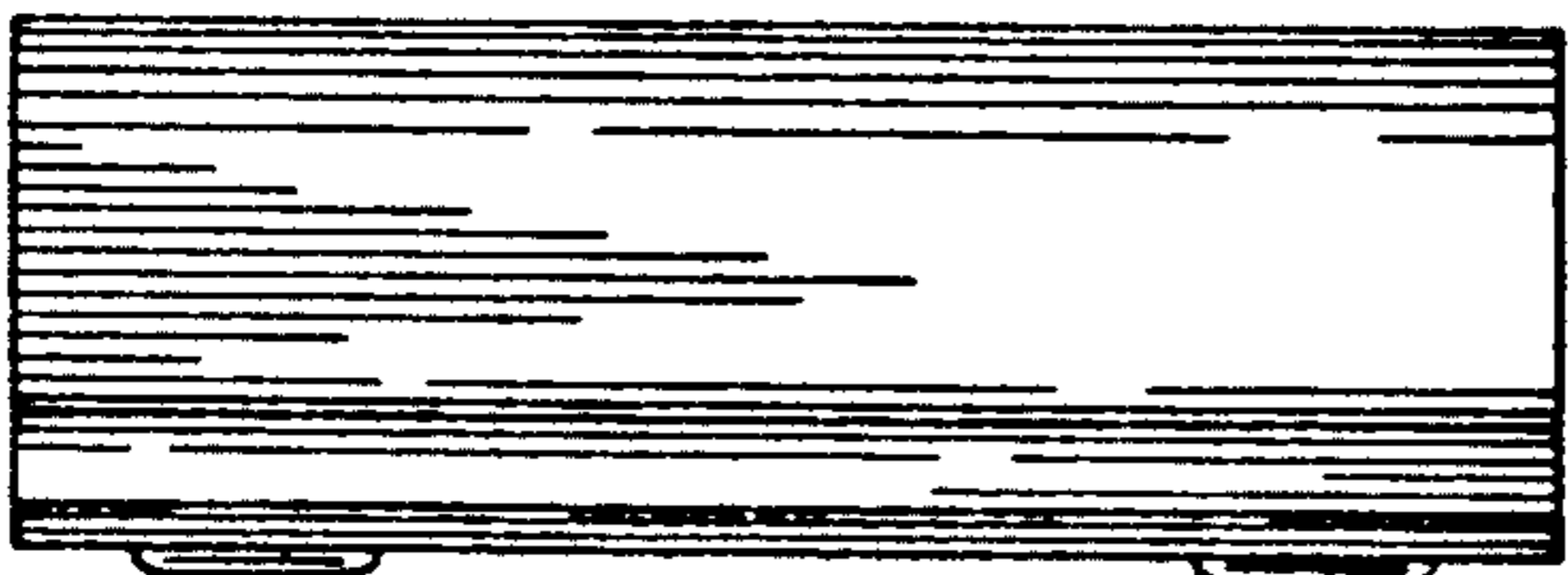


FIG. 5

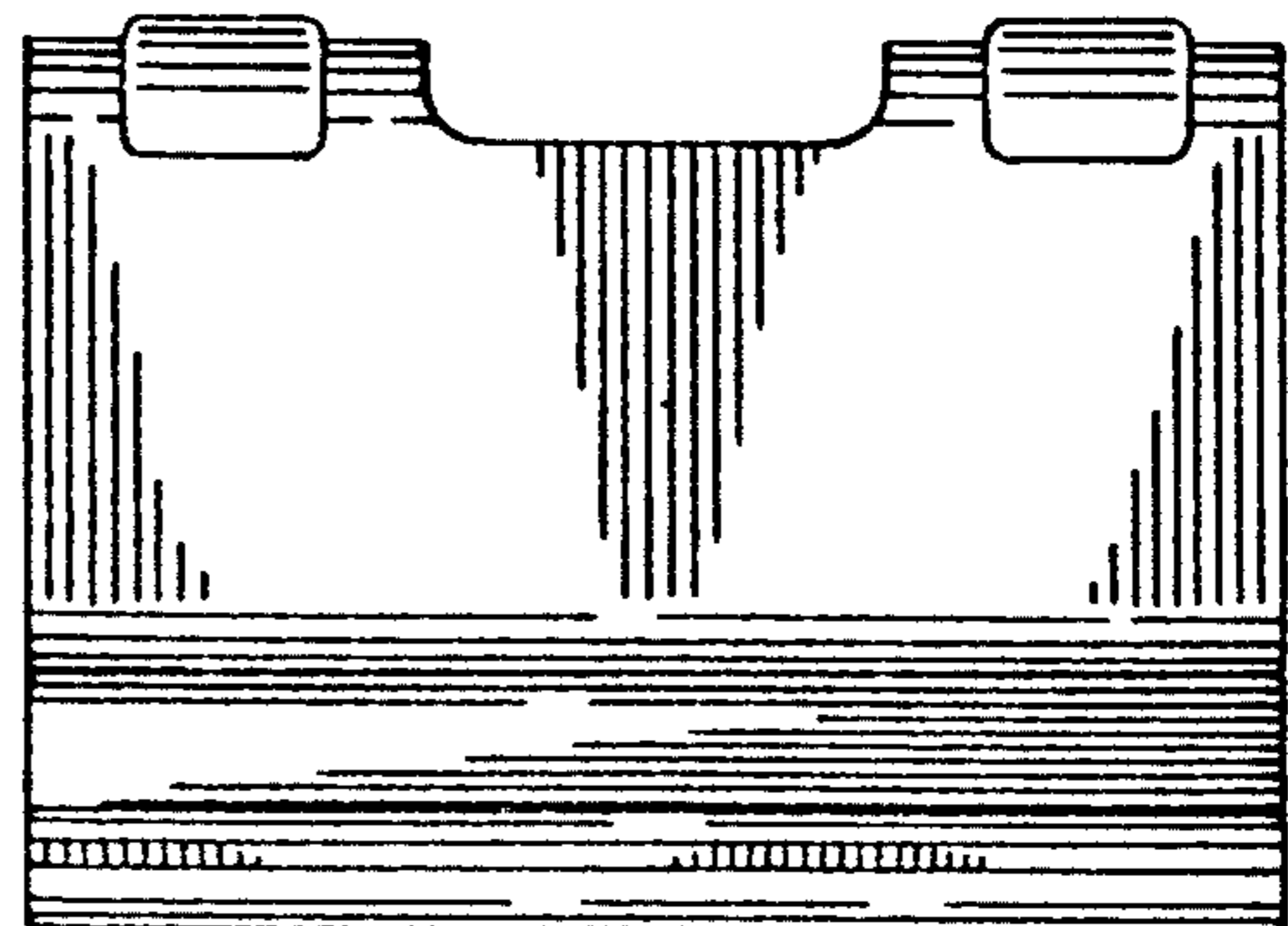


FIG. 6