



US00D346949S

United States Patent [19]

[11] Patent Number: **Des. 346,949**

Comerci et al.

[45] Date of Patent: **** May 17, 1994**

[54] RECEPTACLE COVER PLATE

[75] Inventors: **Joseph D. Comerci, Elmhurst; Robert DeRoss, Naperville; Dennis Stanhibel, Justice, all of Ill.**

[73] Assignee: **Molex Incorporated, Lisle, Ill.**

[**] Term: **14 Years**

[21] Appl. No.: **1,156**

[22] Filed: **Nov. 4, 1992**

[52] U.S. Cl. **D8/353**

[58] Field of Search **D8/353; 174/66; 220/241; D13/177**

[56] References Cited

U.S. PATENT DOCUMENTS

- D. 327,212 6/1992 Hubben et al. D8/353
- D. 329,422 9/1992 Fuyiyoshi D13/137
- 4,631,354 12/1986 Boteler 174/66
- 5,189,259 2/1993 Carson et al. 174/66

FOREIGN PATENT DOCUMENTS

445640 2/1968 Switzerland 362/95

OTHER PUBLICATIONS

Leviton Catalog; ©1968; front cover; switch plate (upper left).

Legrand 1986 Catalog, p. 163.

Primary Examiner—B. J. Bullock

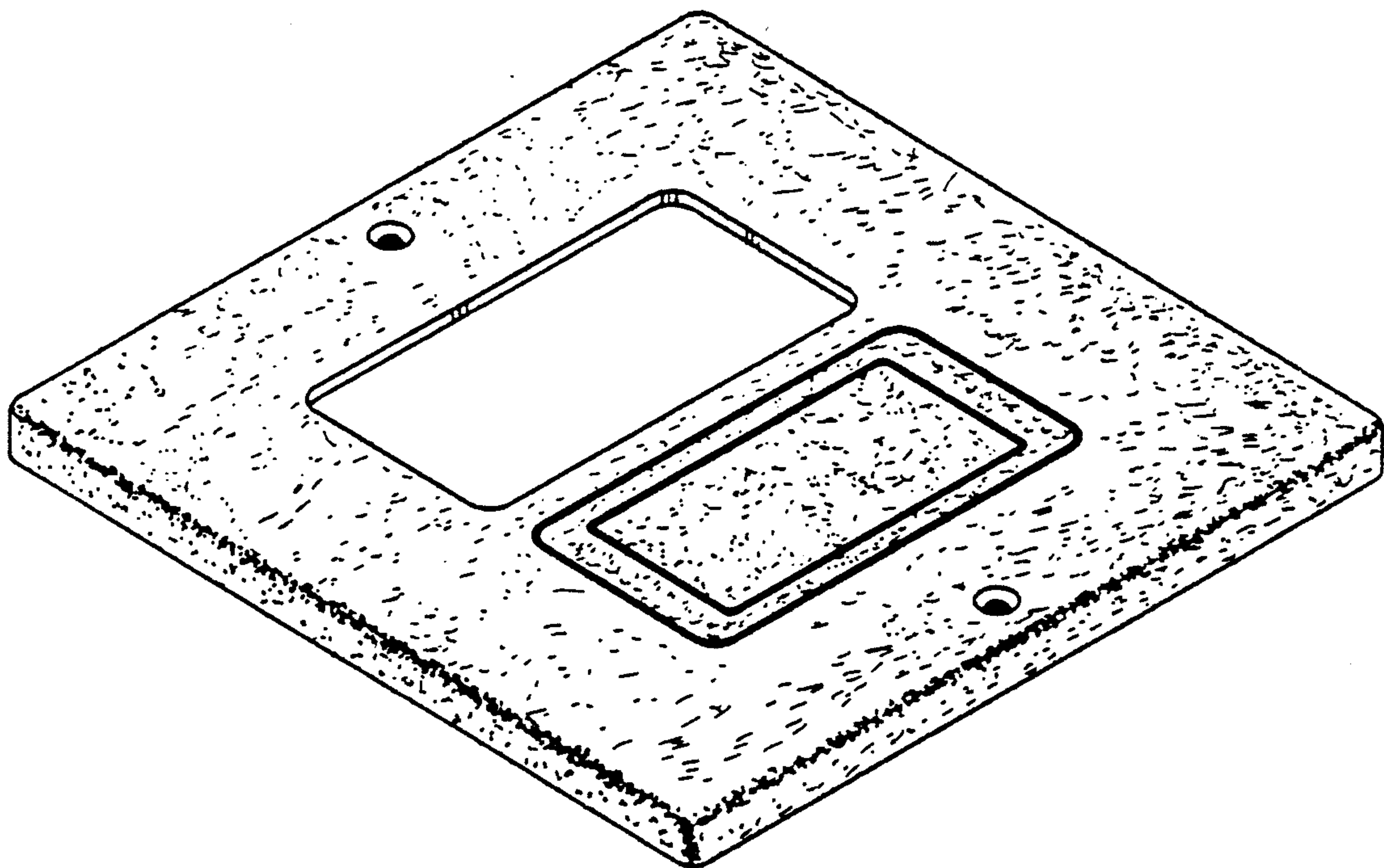
Attorney, Agent, or Firm—Stephen Z. Weiss

[57] CLAIM

The ornamental design for a receptacle cover plate, as shown.

DESCRIPTION

FIG. 1 is a perspective view of the receptacle cover plate embodying our new design;
 FIG. 2 is a front elevation view thereof;
 FIG. 3 is a left side elevation view thereof, the right side being a mirror image;
 FIG. 4 is a rear elevation view thereof; and,
 FIG. 5 is a top plan view, thereof, the bottom being a mirror image.



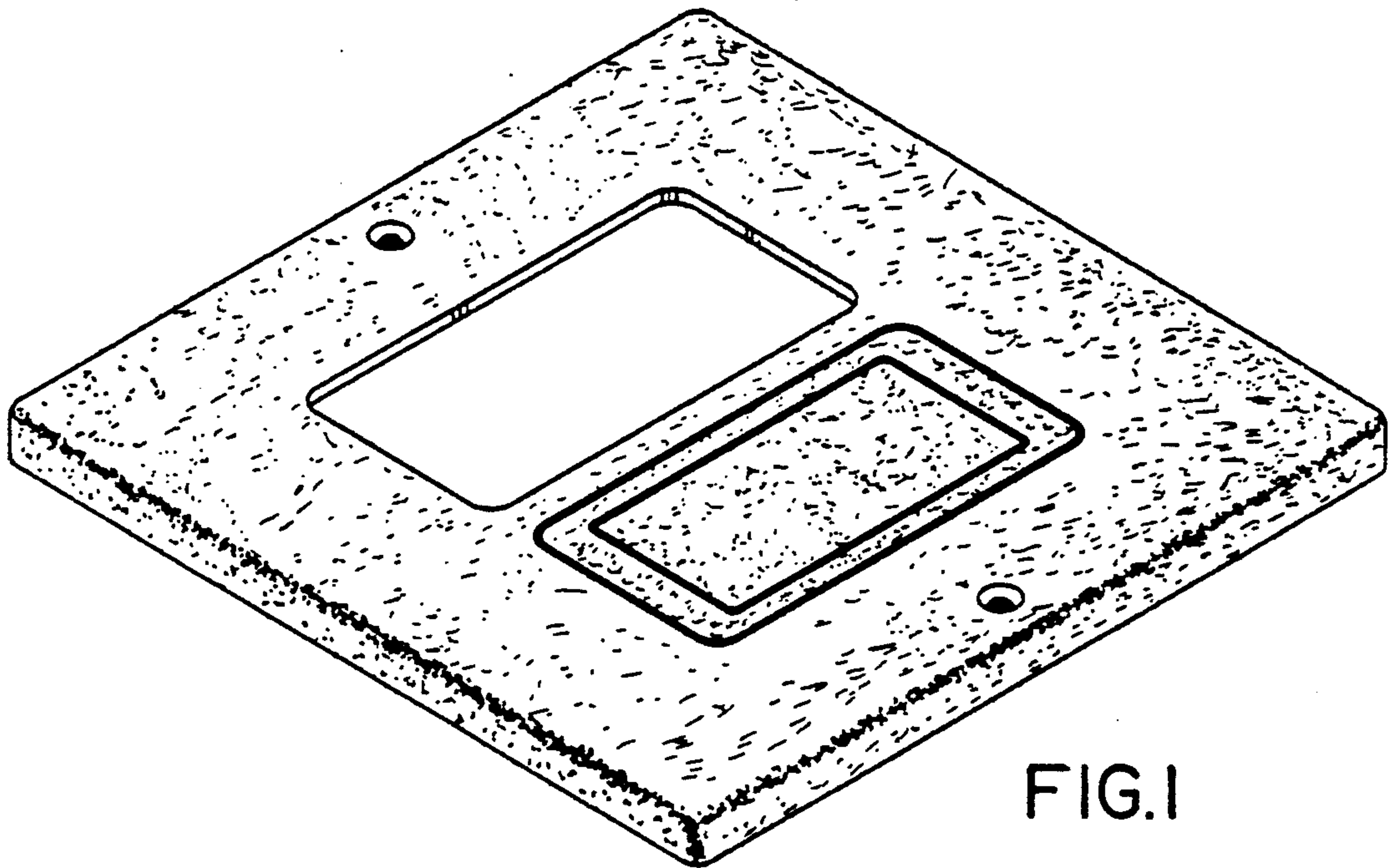


FIG. 1

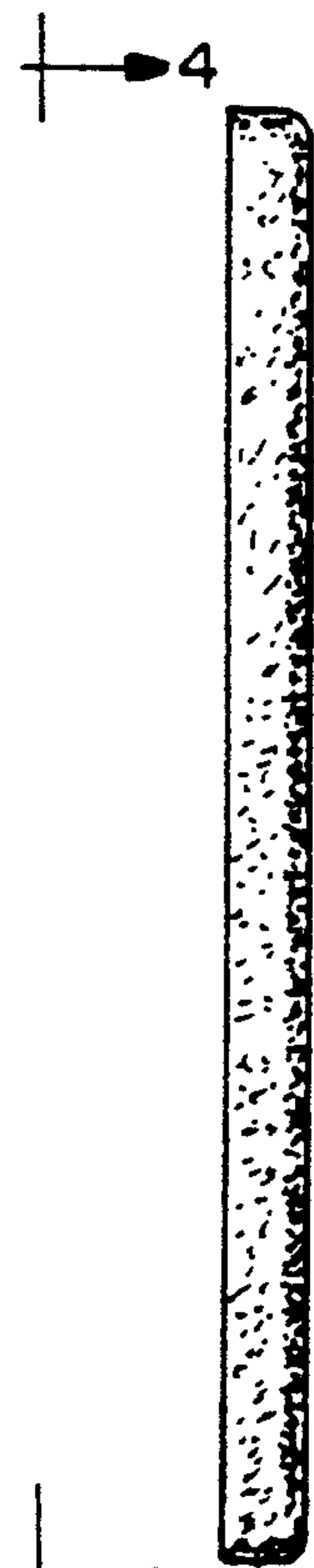


FIG. 3

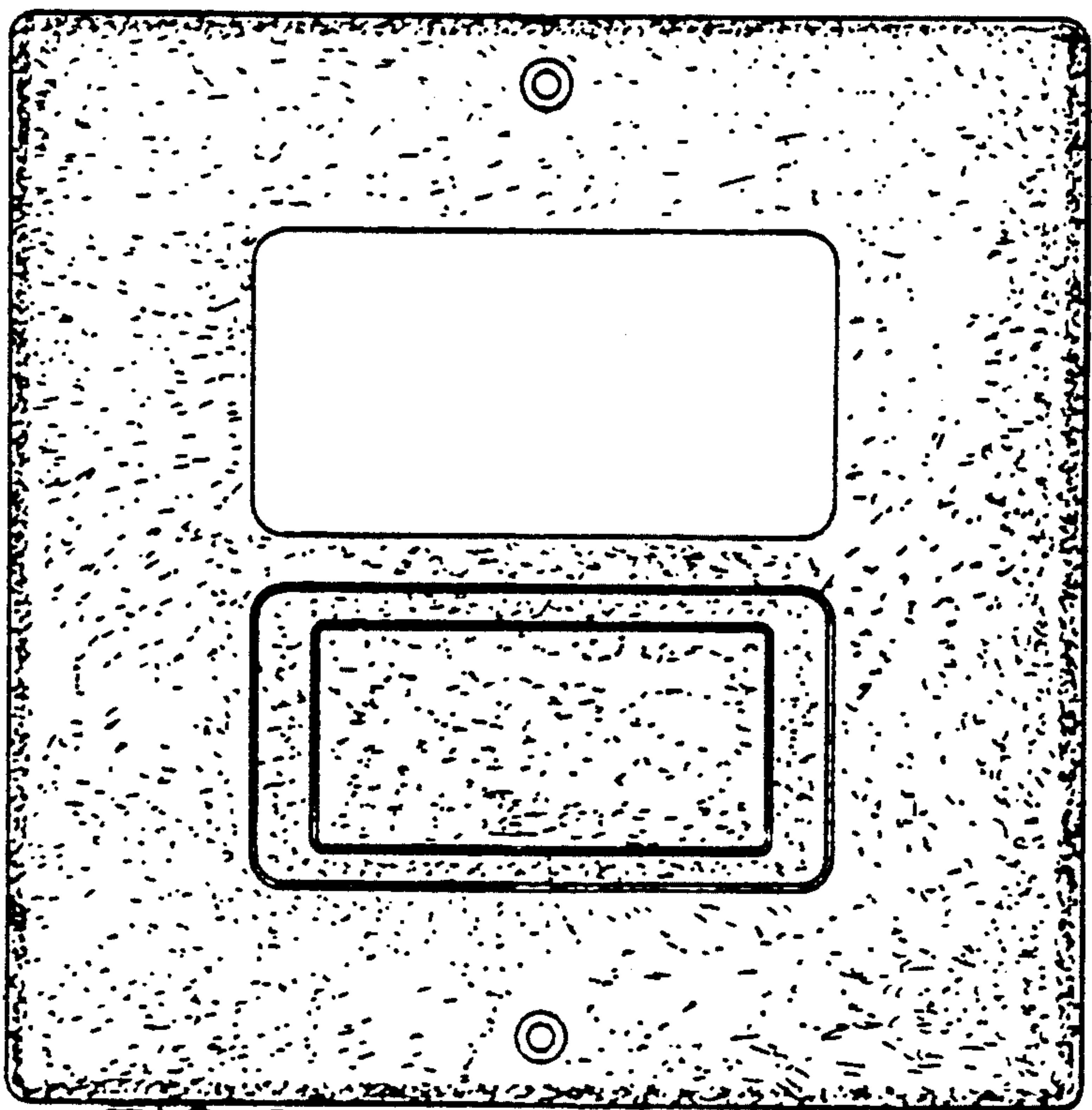


FIG. 2



FIG.5

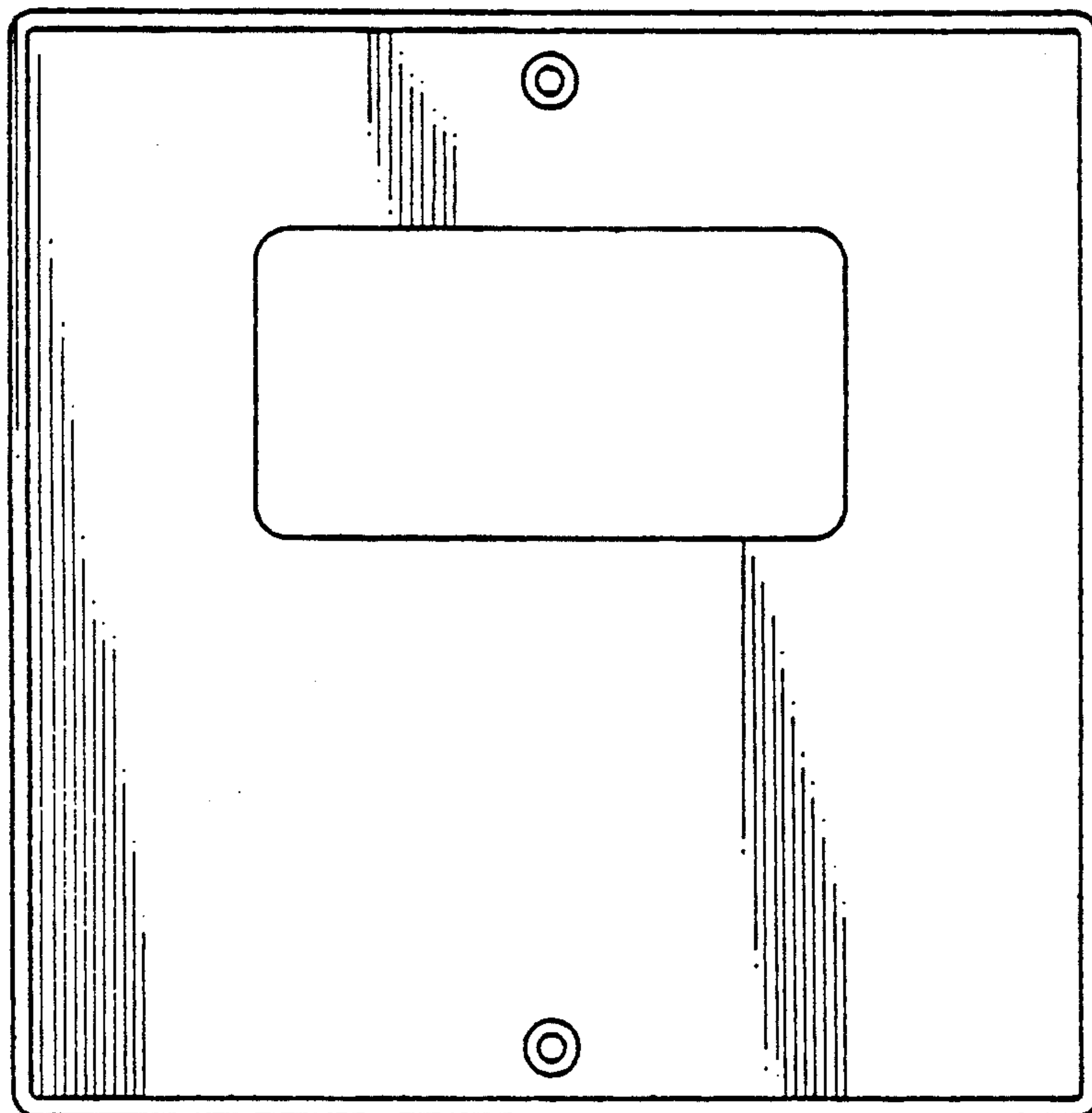


FIG.4