



US00D346942S

United States Patent [19]

[11] Patent Number: **Des. 346,942**

Sawdon

[45] Date of Patent: **** May 17, 1994**

[54] **PLASTIC CLAMP**

4,355,793 10/1982 Juneau 269/227

[75] Inventor: **Edwin G. Sawdon, St. Clair, Mich.**

Primary Examiner—Alan P. Douglas

Assistant Examiner—Jeffry H. Musgrove

[73] Assignee: **BTM Corporation, Marysville, Mich.**

Attorney, Agent, or Firm—Harness, Dickey & Pierce

[**] Term: **14 Years**

[57] **CLAIM**

[21] Appl. No.: **5,871**

The ornamental design for a plastic clamp, as shown and described.

[22] Filed: **Mar. 15, 1993**

DESCRIPTION

[52] U.S. Cl. **D8/72**

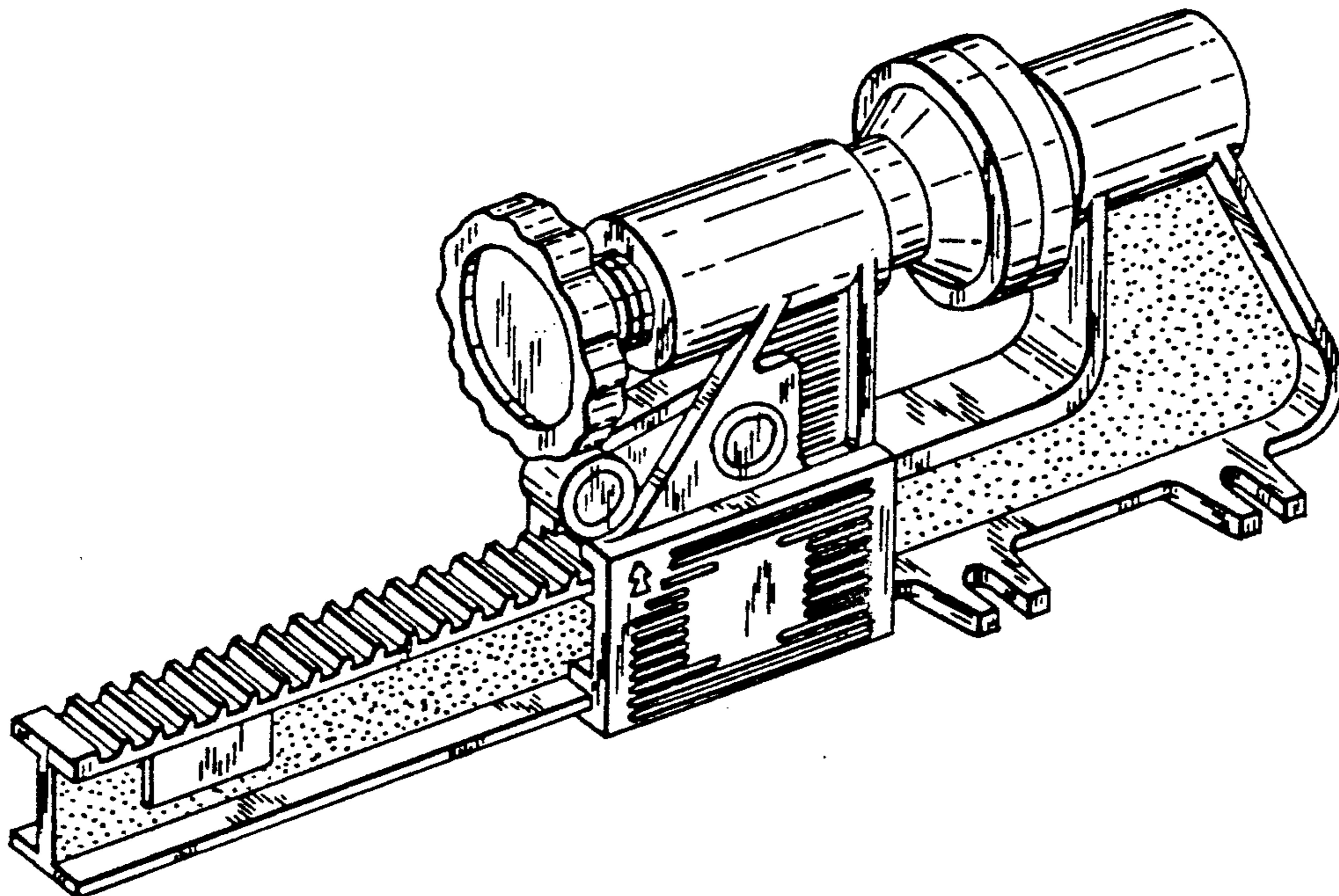
[58] Field of Search D8/61, 72; 269/76, 78, 269/90, 112, 128, 182, 178, 173, 228, 212

FIG. 1 is a perspective view of a plastic clamp showing my new design in its closed clamping position; FIG. 2 is a front end elevational view thereof; FIG. 3 is a rear end elevational view thereof; FIG. 4 is a top plan view thereof; FIG. 5 is a side elevational view thereof; FIG. 6 is a bottom plan view thereof; and, FIG. 7 is a side elevational view thereof in its open position.

[56] **References Cited**

U.S. PATENT DOCUMENTS

2,383,170	8/1945	Stoll	269/78
2,511,843	6/1950	Graether	269/212
4,108,589	8/1978	Bunch	269/228



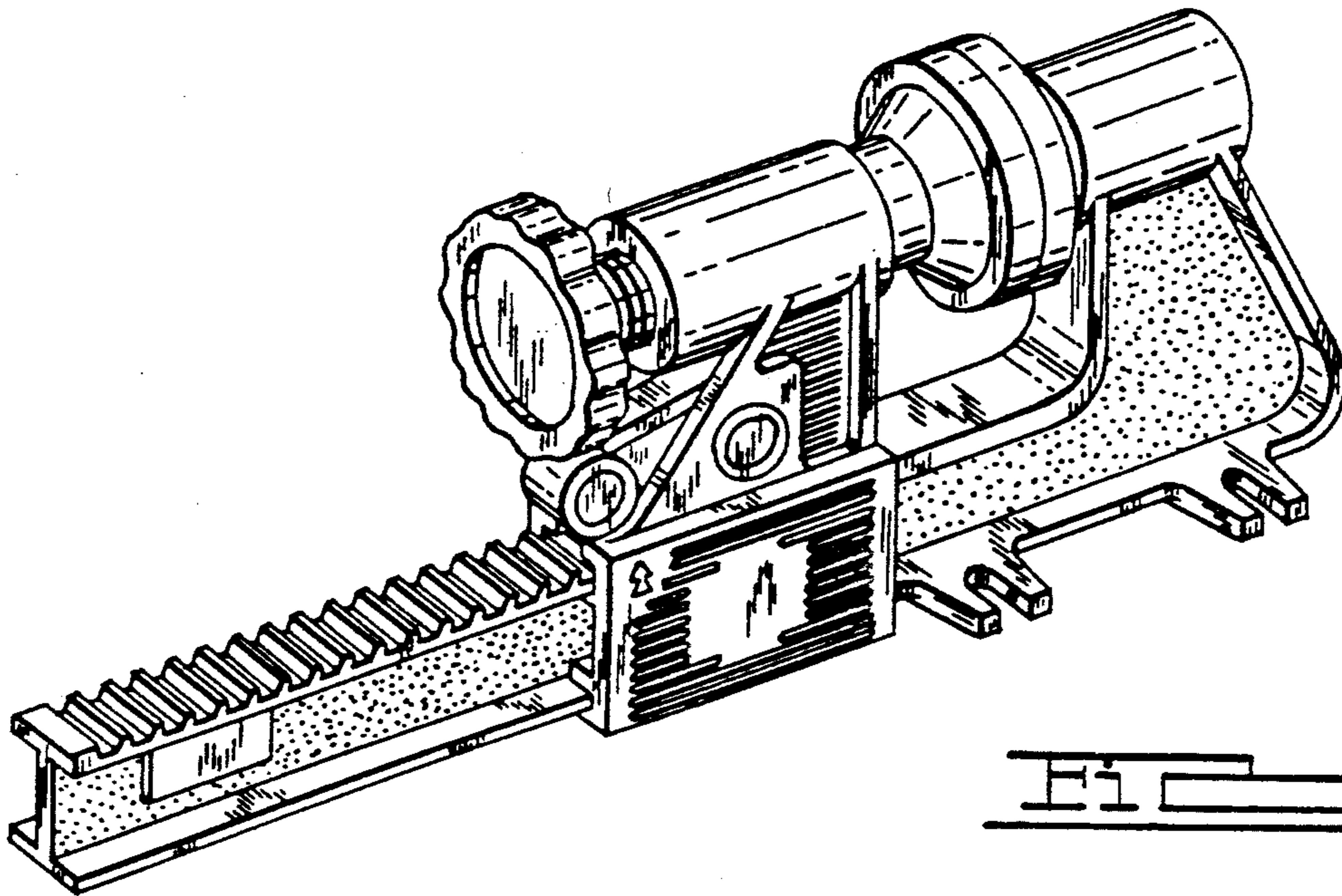


FIG. 1.

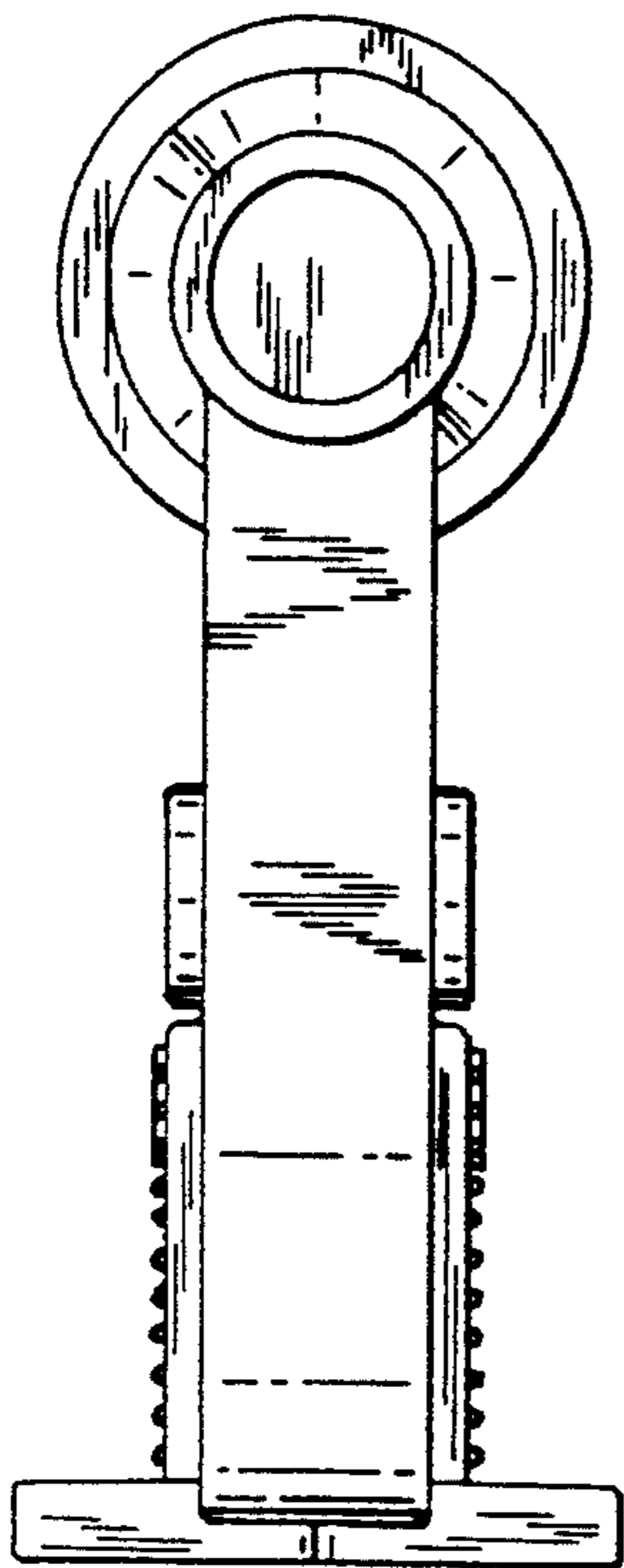


FIG. 2.

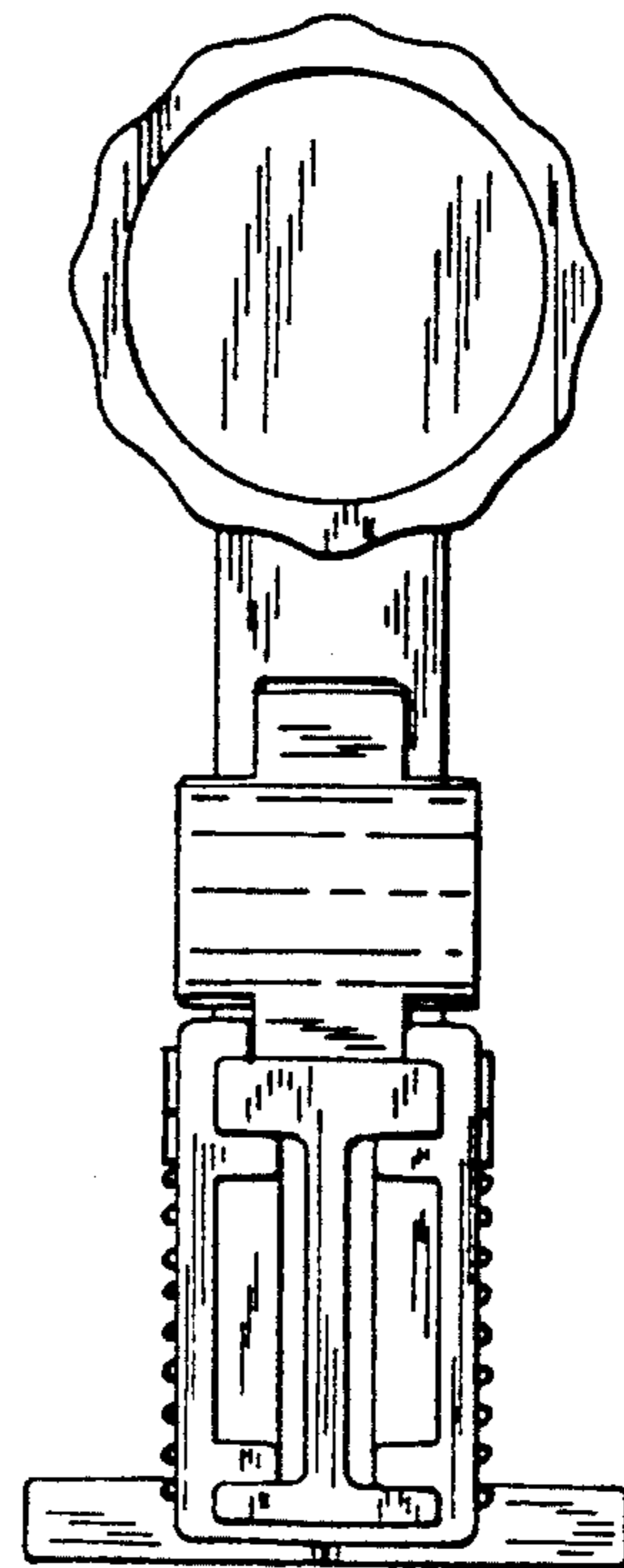


FIG. 3.

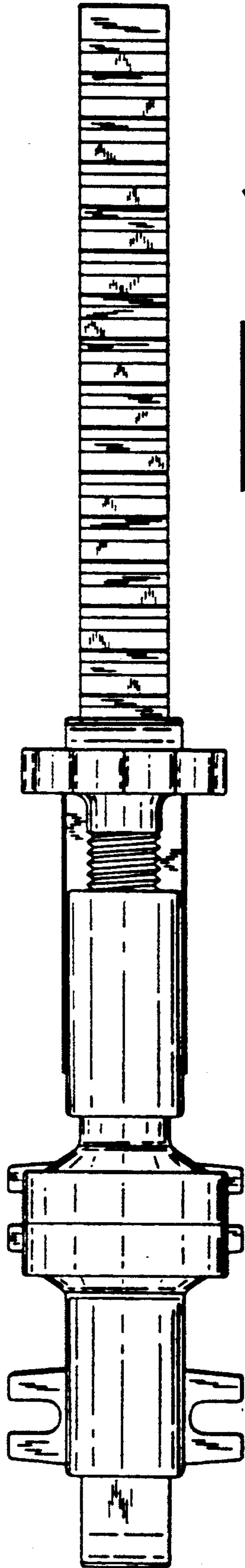


FIG. 4.

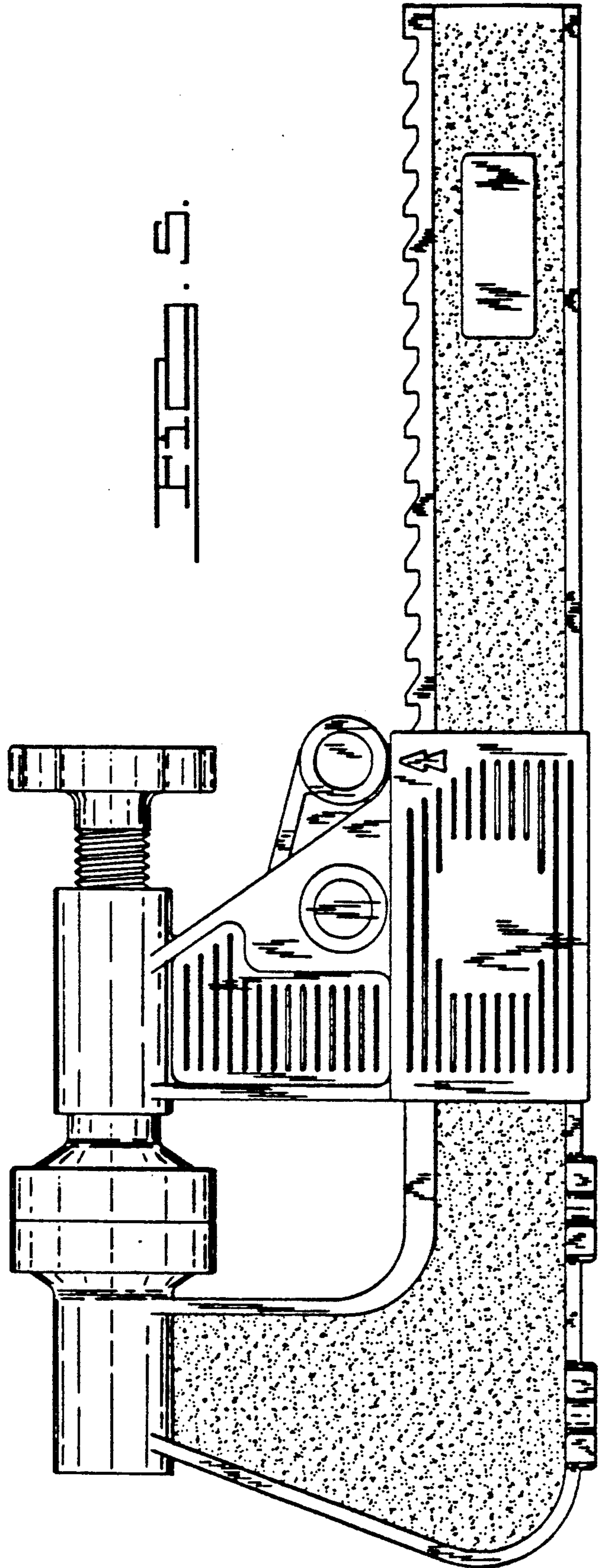


FIG. 5.

