



US00D346941S

United States Patent [19]

[11] Patent Number: **Des. 346,941**

Sawdon

[45] Date of Patent: **** May 17, 1994**

[54] **PLASTIC CLAMP**

[75] Inventor: **Edwin G. Sawdon, St. Clair, Mich.**

[73] Assignee: **BTM Corporation, Marysville, Mich.**

[**] Term: **14 Years**

[21] Appl. No.: **5,870**

[22] Filed: **Mar. 15, 1993**

[52] U.S. Cl. **D8/72**

[58] Field of Search **D8/72; 269/60, 61, 65, 269/66, 76, 78, 90, 112, 212**

[56] **References Cited**

U.S. PATENT DOCUMENTS

2,383,170	8/1945	Stoll	269/78
2,511,843	6/1950	Graether	269/212
4,519,236	5/1985	Celette	269/60

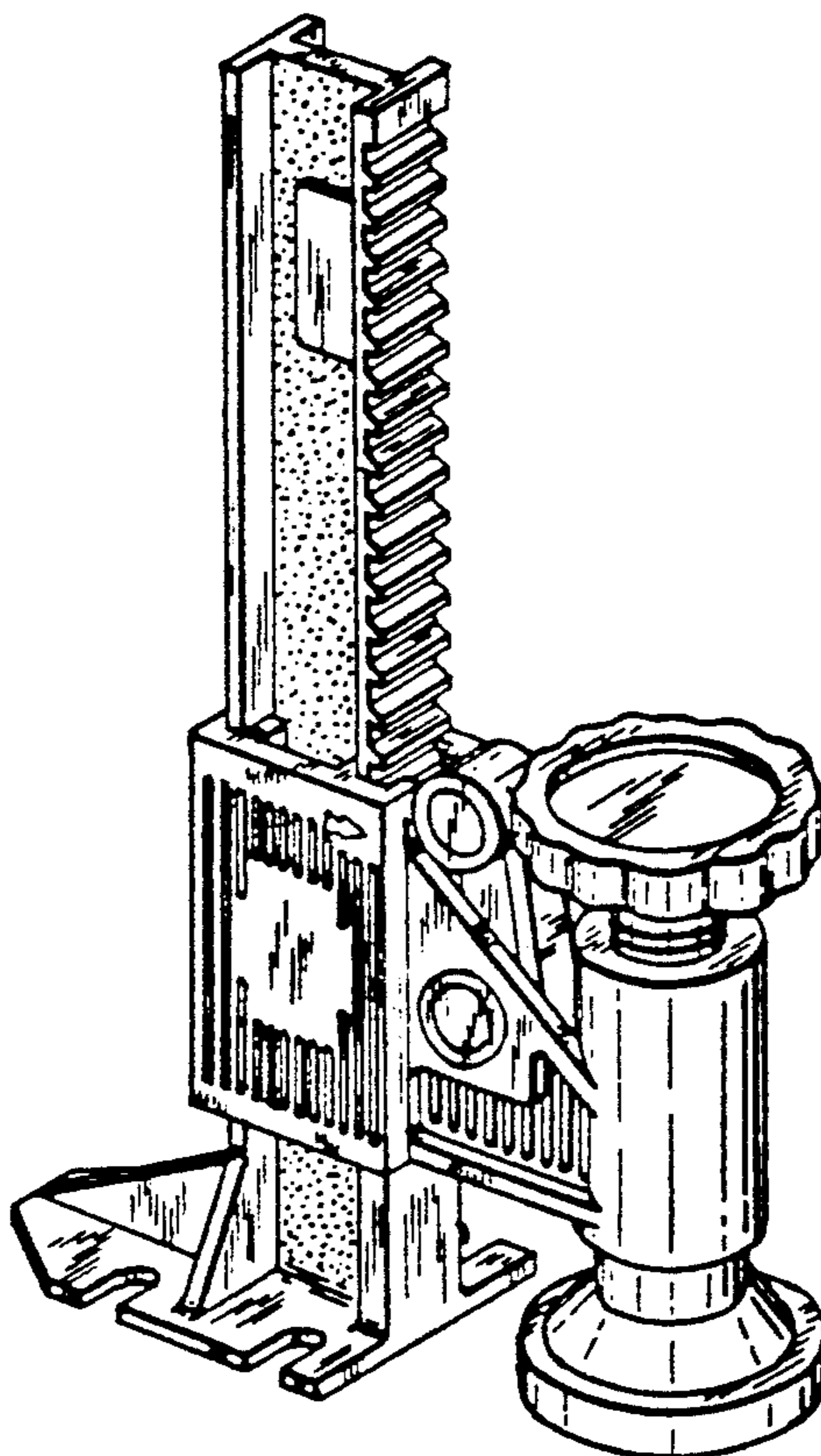
Primary Examiner—Alan P. Douglas
Assistant Examiner—Jeffrey H. Musgrove
Attorney, Agent, or Firm—Harness, Dickey & Pierce

[57] **CLAIM**

The ornamental design for a plastic clamp, as shown and described.

DESCRIPTION

FIG. 1 is a perspective view of a plastic clamp showing my new design in its clamping position; FIG. 2 is a top plan view thereof; FIG. 3 is a bottom plan view thereof; FIG. 4 is a side elevational view thereof; FIG. 5 is a front elevational view thereof; FIG. 6 is a rear elevational view thereof; and, FIG. 7 is a side elevational view thereof shown in its fully retracted non-clamping position.



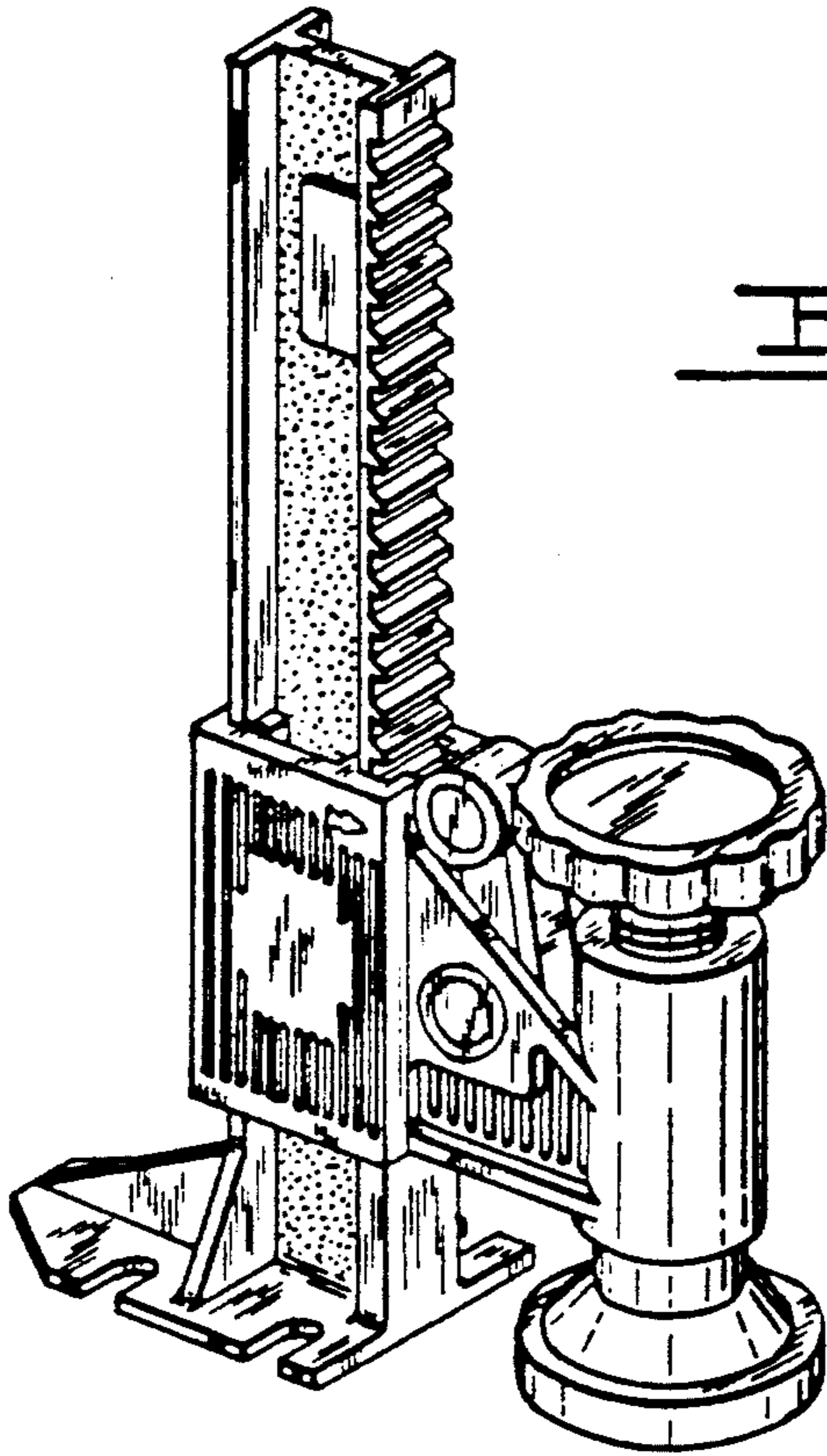


FIG. 1.

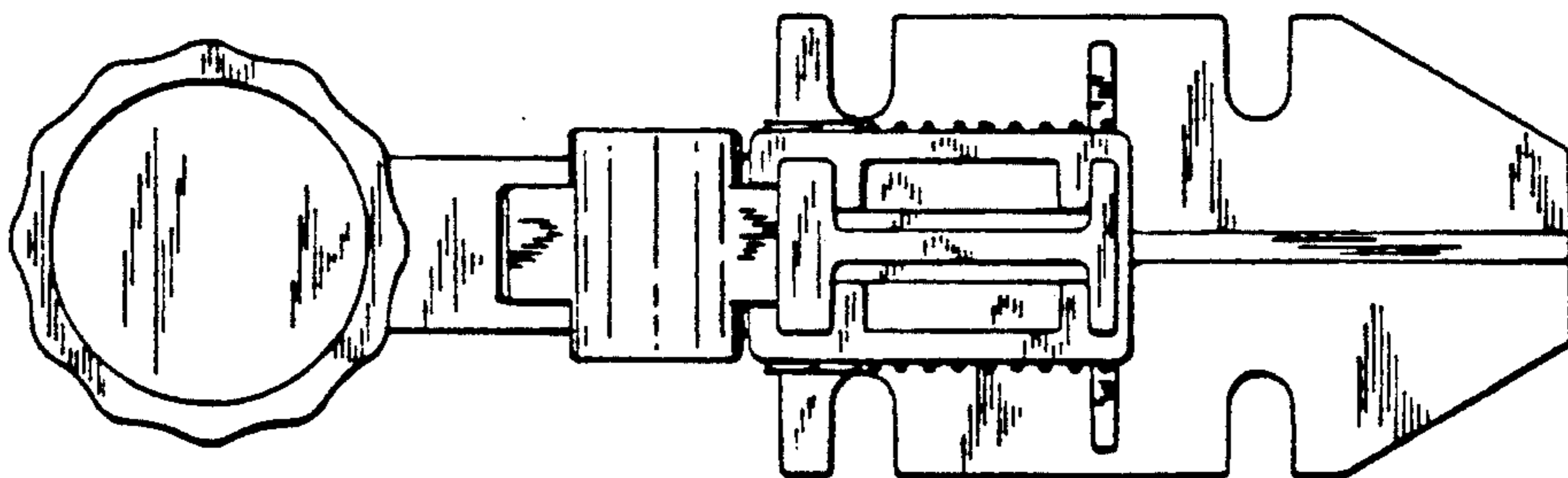


FIG. 2.

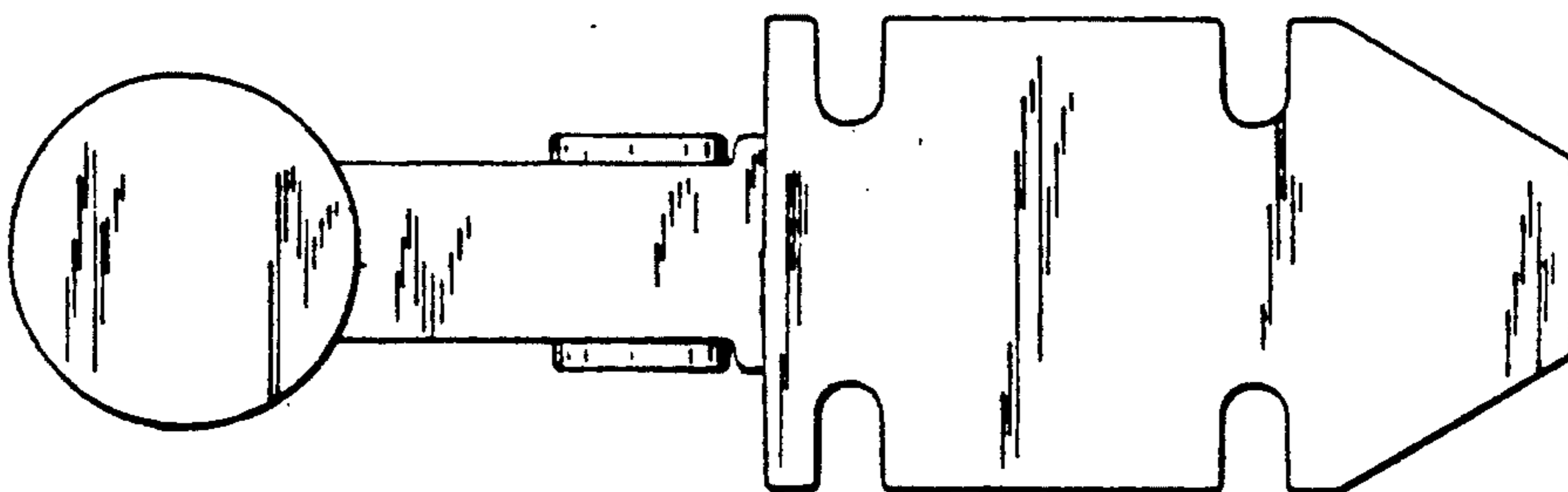


FIG. 3.

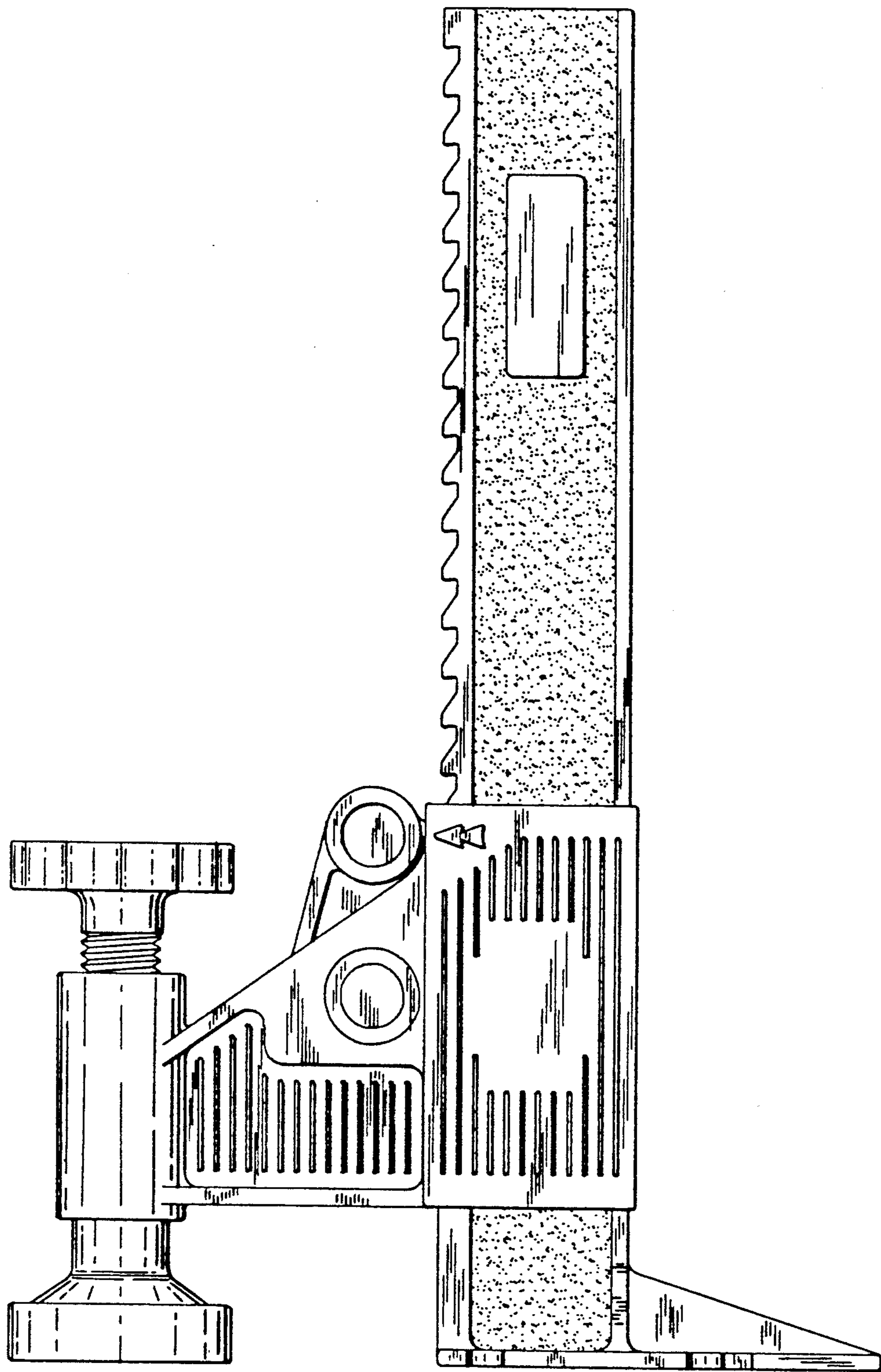


FIG. 4.

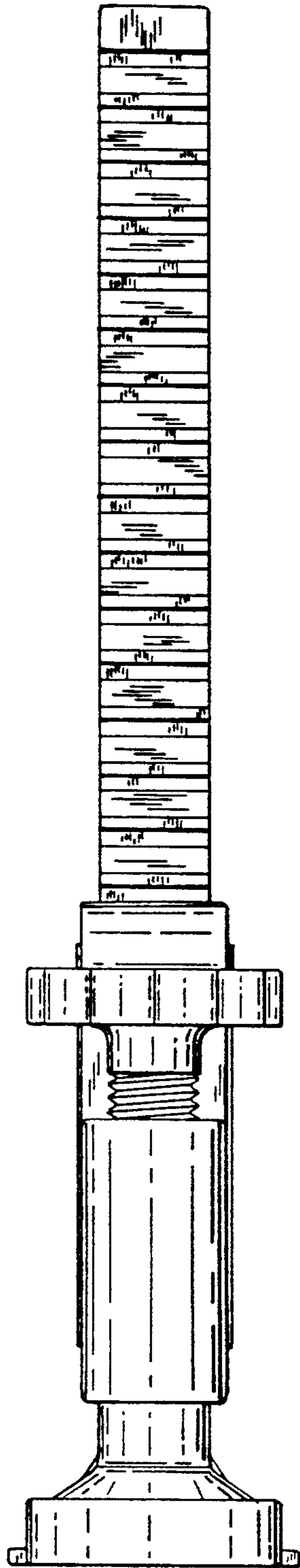


FIG. 5.

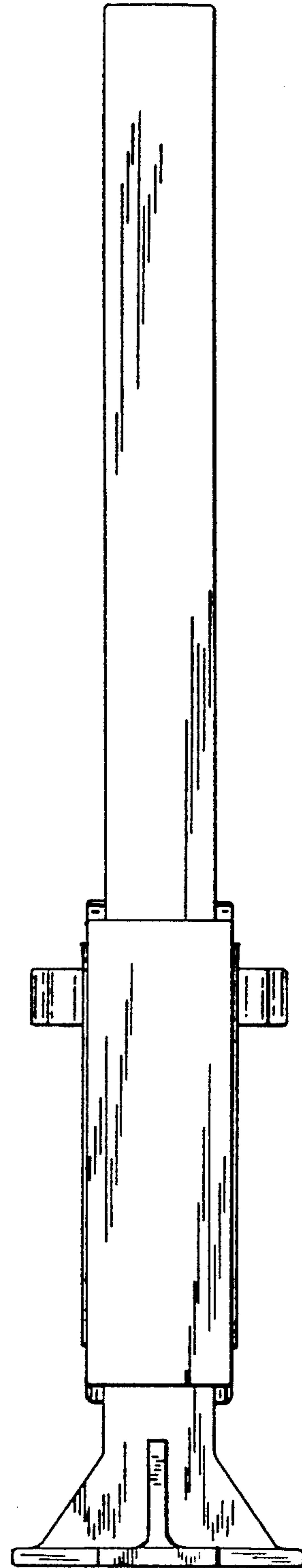


FIG. 6.

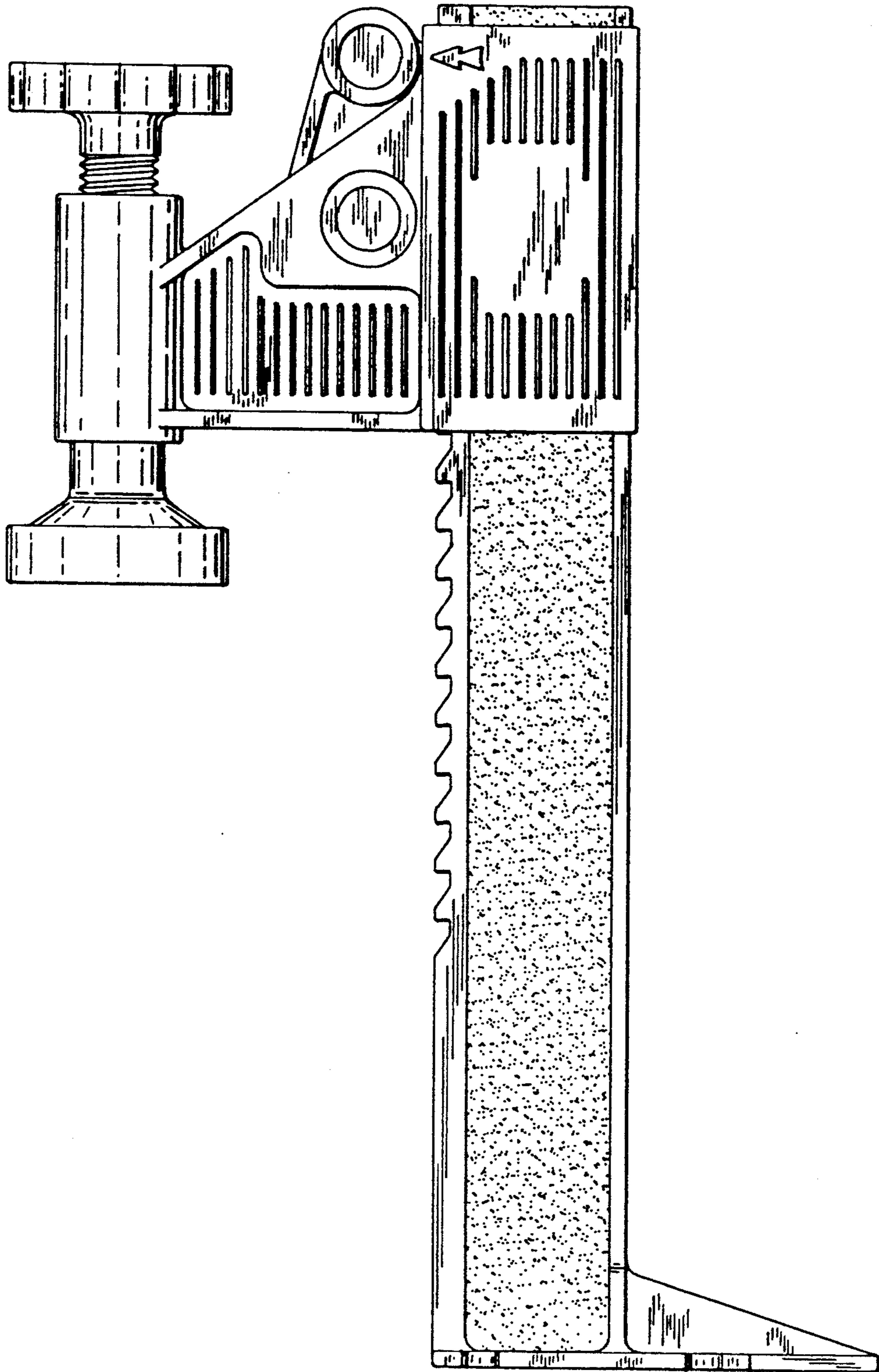


FIG. 2.