



US00D346940S

# United States Patent [19]

[11] Patent Number: **Des. 346,940**

Sawdon

[45] Date of Patent: **\*\* May 17, 1994**

[54] **PLASTIC TOGGLE CLAMP**

5,080,336 1/1992 Carossino ..... 269/93

[75] Inventor: **Edwin G. Sawdon, St. Clair, Mich.**

*Primary Examiner*—Alan P. Douglas

*Assistant Examiner*—Jeff H. Musgrove

[73] Assignee: **BTM Corporation, Marysville, Mich.**

*Attorney, Agent, or Firm*—Harness, Dickey & Pierce

[\*\*] Term: **14 Years**

[57] **CLAIM**

[21] Appl. No.: **5,869**

The ornamental design for a plastic toggle clamp, as shown and described.

[22] Filed: **Mar. 15, 1993**

**DESCRIPTION**

[52] U.S. Cl. .... **D8/72**

[58] Field of Search ..... **D8/72; 269/238, 76, 269/182, 60, 61, 90, 112, 228, 78**

FIG. 1 is a perspective view of a plastic toggle clamp showing my new design in its clamping position; FIG. 2 is a top elevational view thereof; FIG. 3 is a side elevational view thereof; FIG. 4 is a bottom plan view thereof; FIG. 5 is a front elevational view thereof; FIG. 6 is a rear elevational view thereof; and, FIG. 7 is a side elevational view thereof shown in its fully retracted position.

[56] **References Cited**

**U.S. PATENT DOCUMENTS**

2,408,586	10/1946	Spievak	.....	269/228
2,763,053	9/1956	Anderson	.....	269/78
4,432,538	2/1984	Sequin	.....	269/93

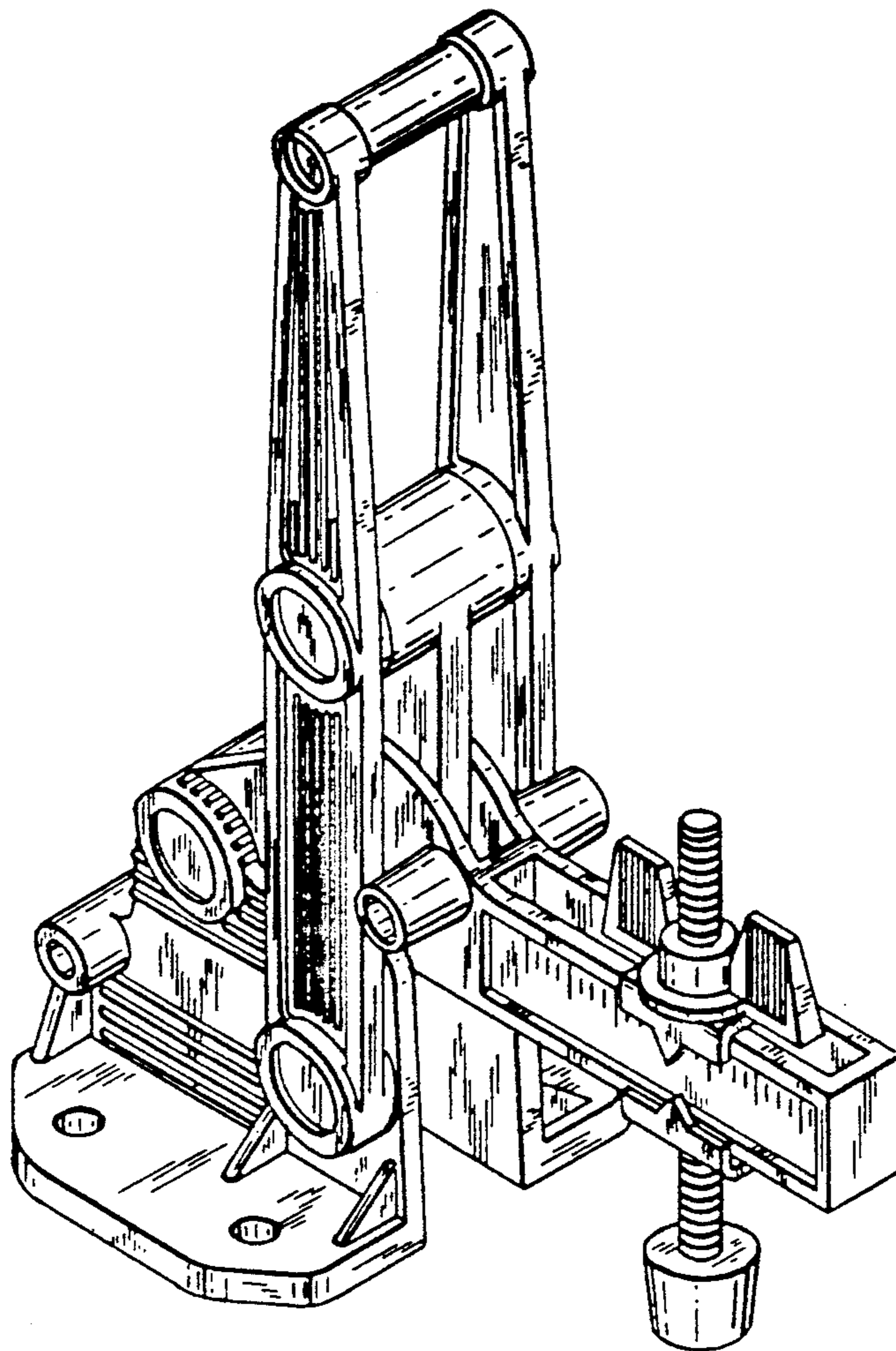


FIG. 1.

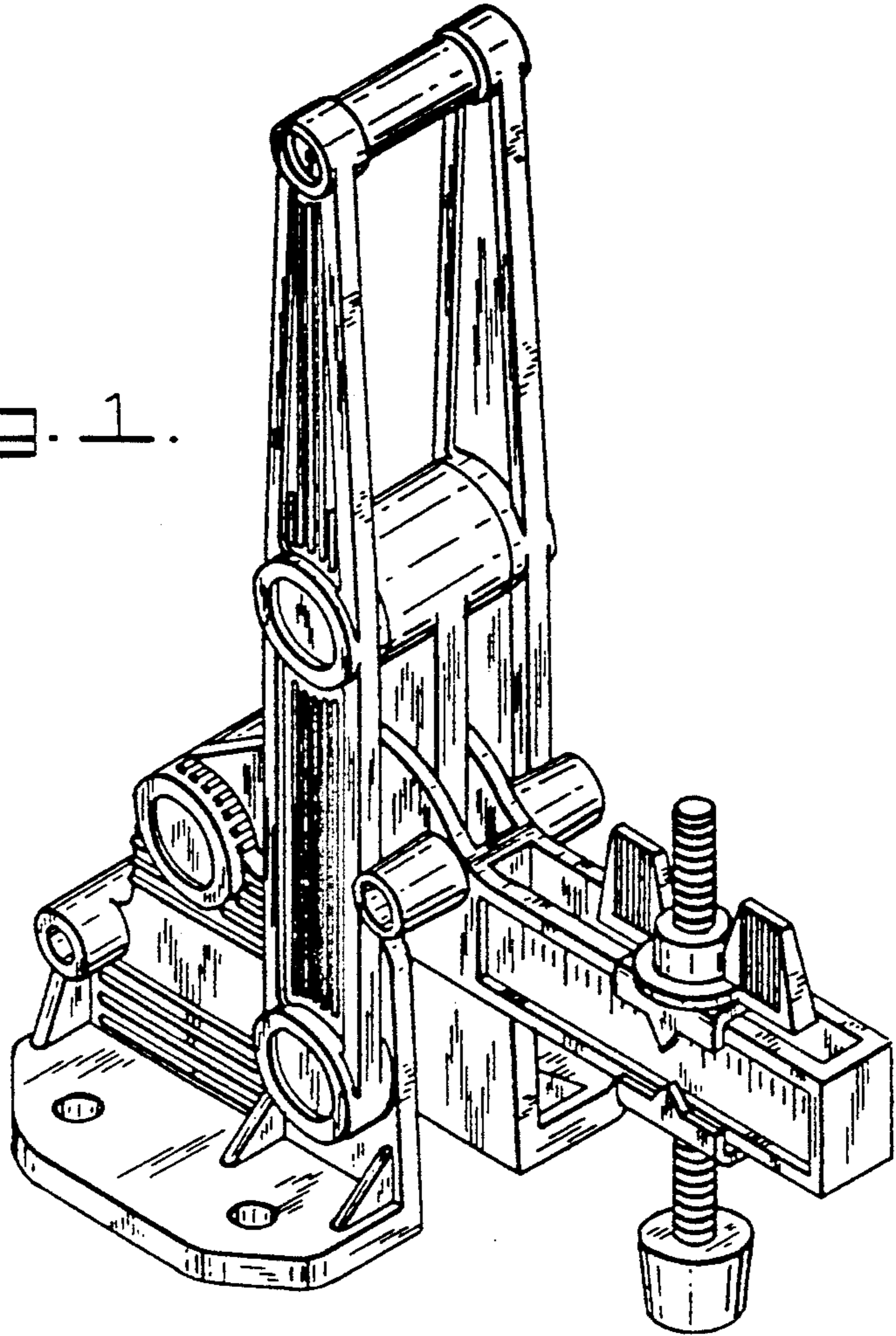
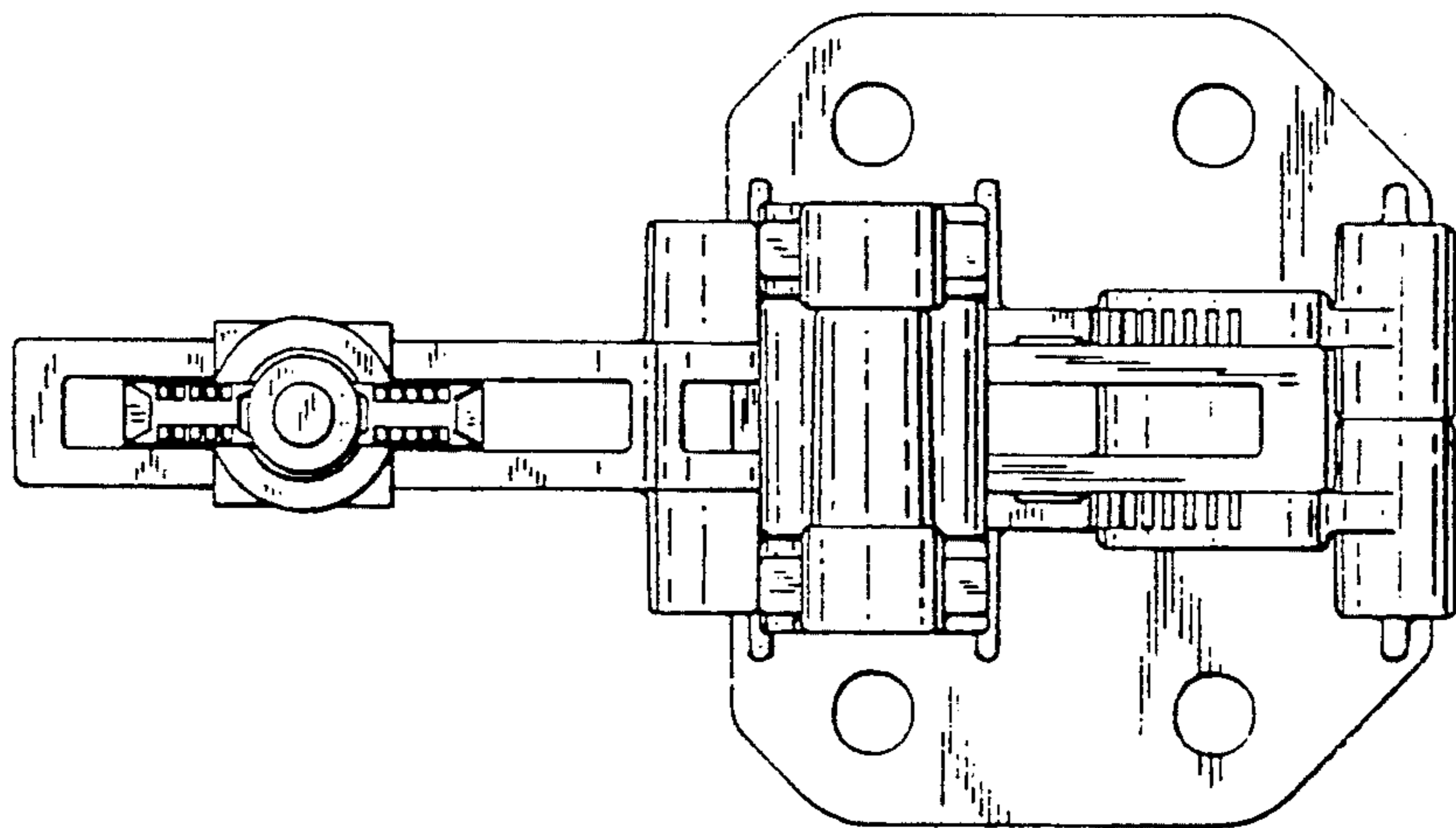


FIG. 2.



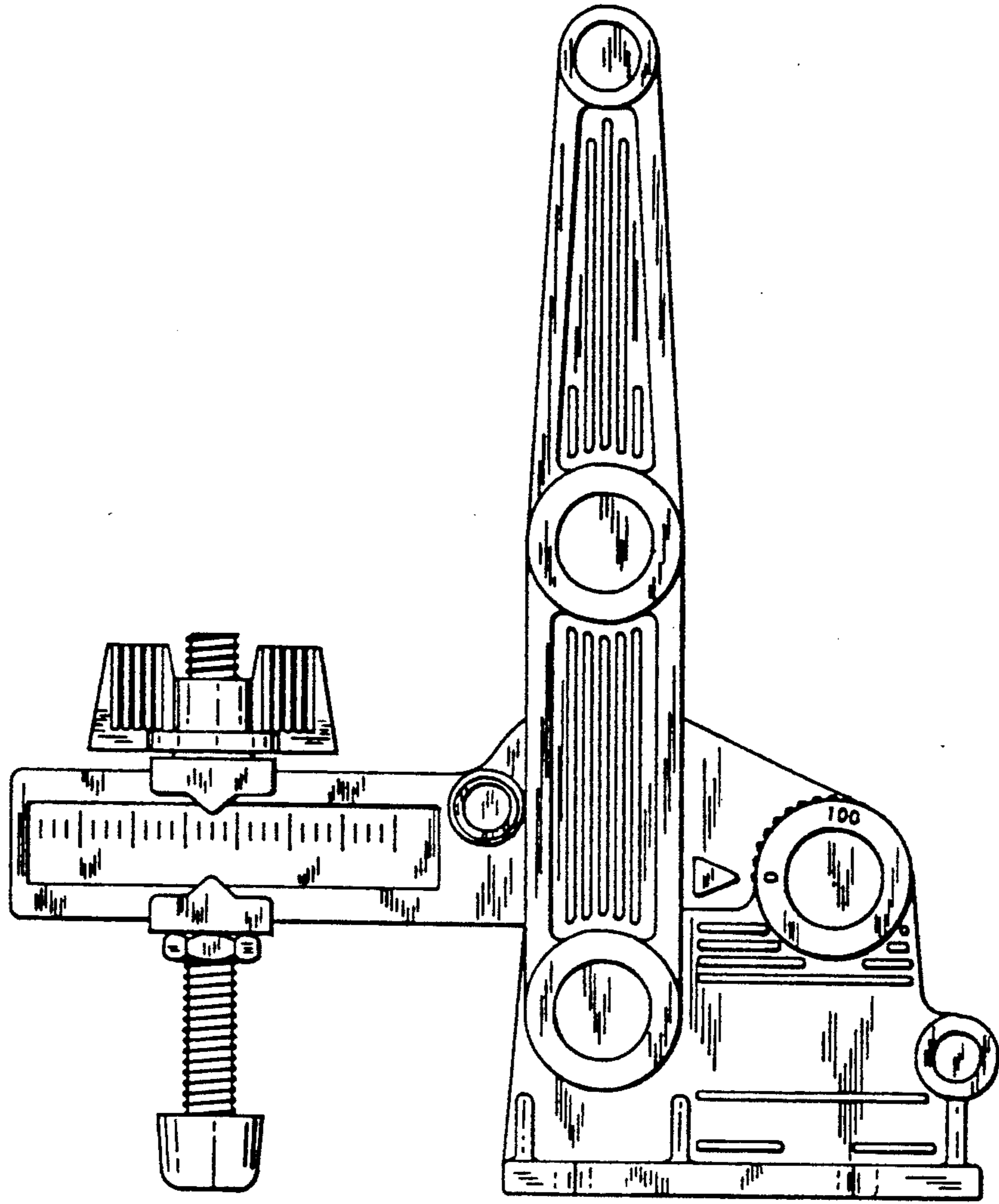


FIG. 3.

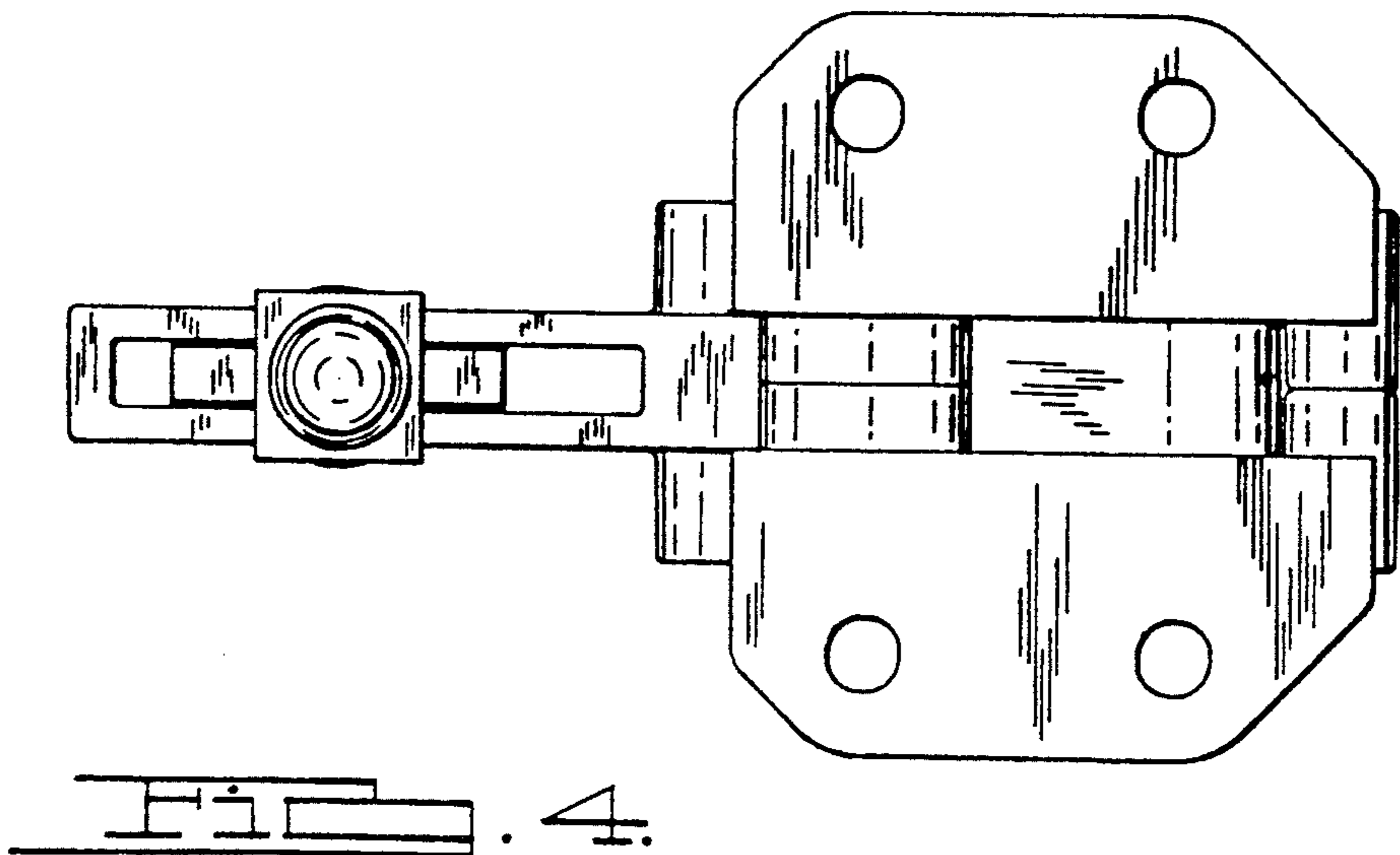


FIG. 4.



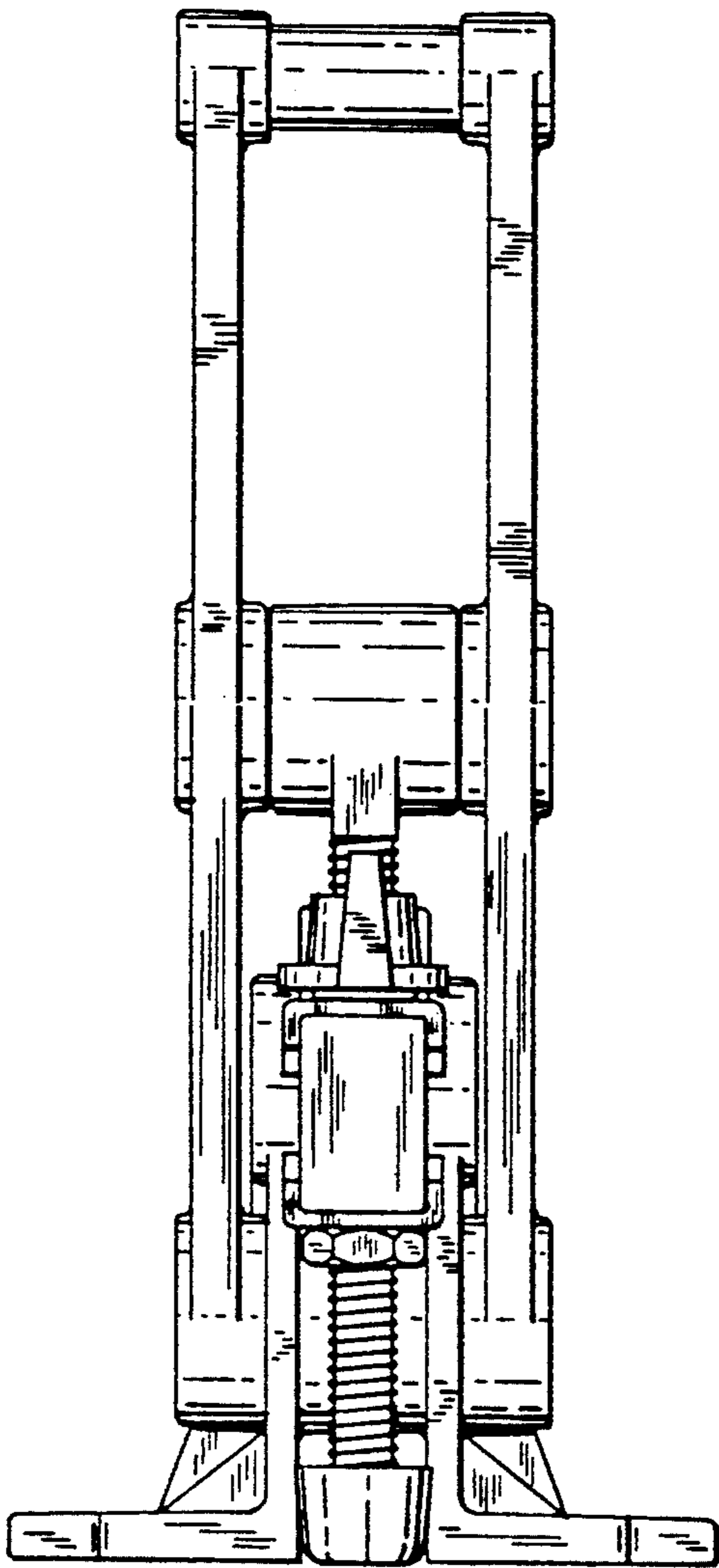


FIG. 5.

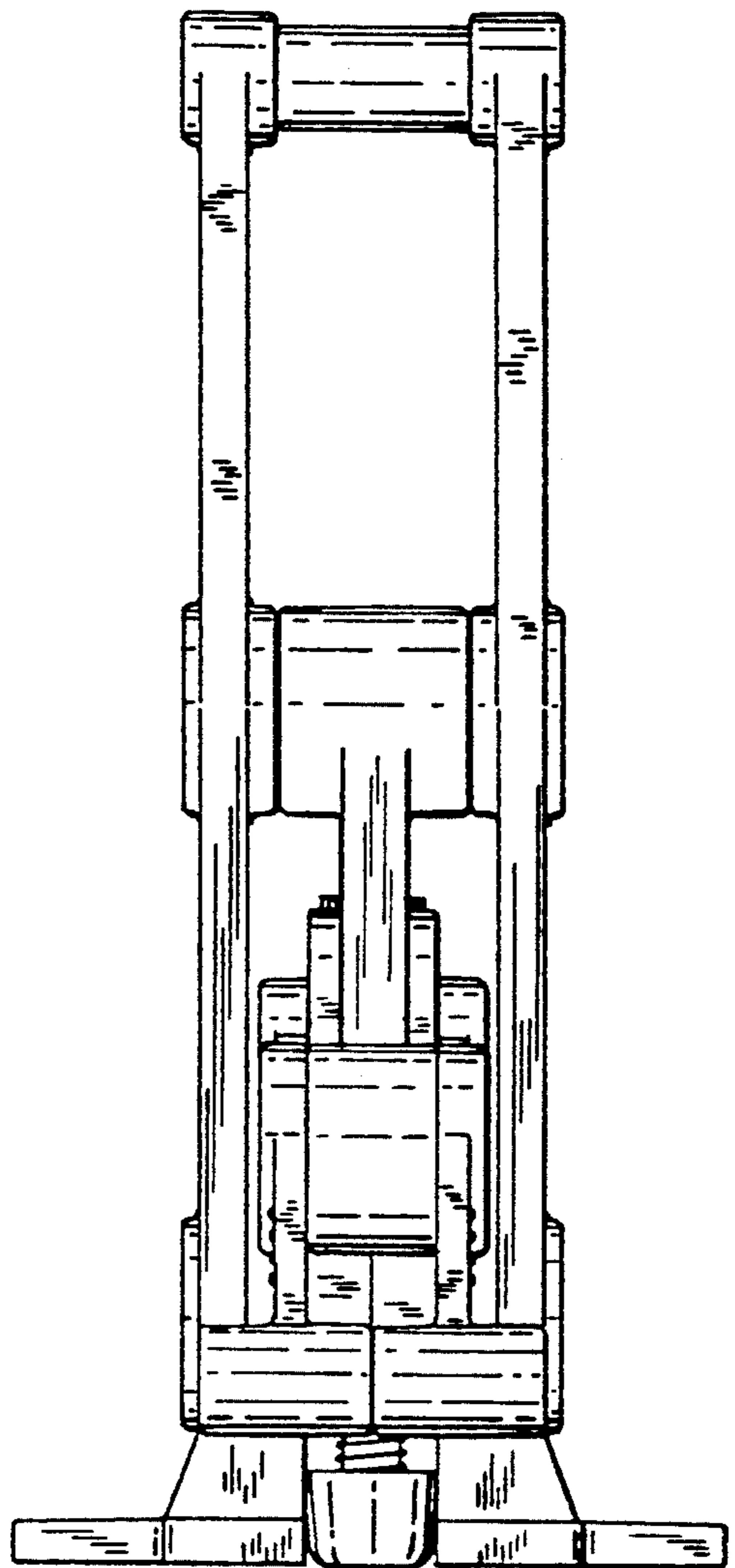


FIG. 6.

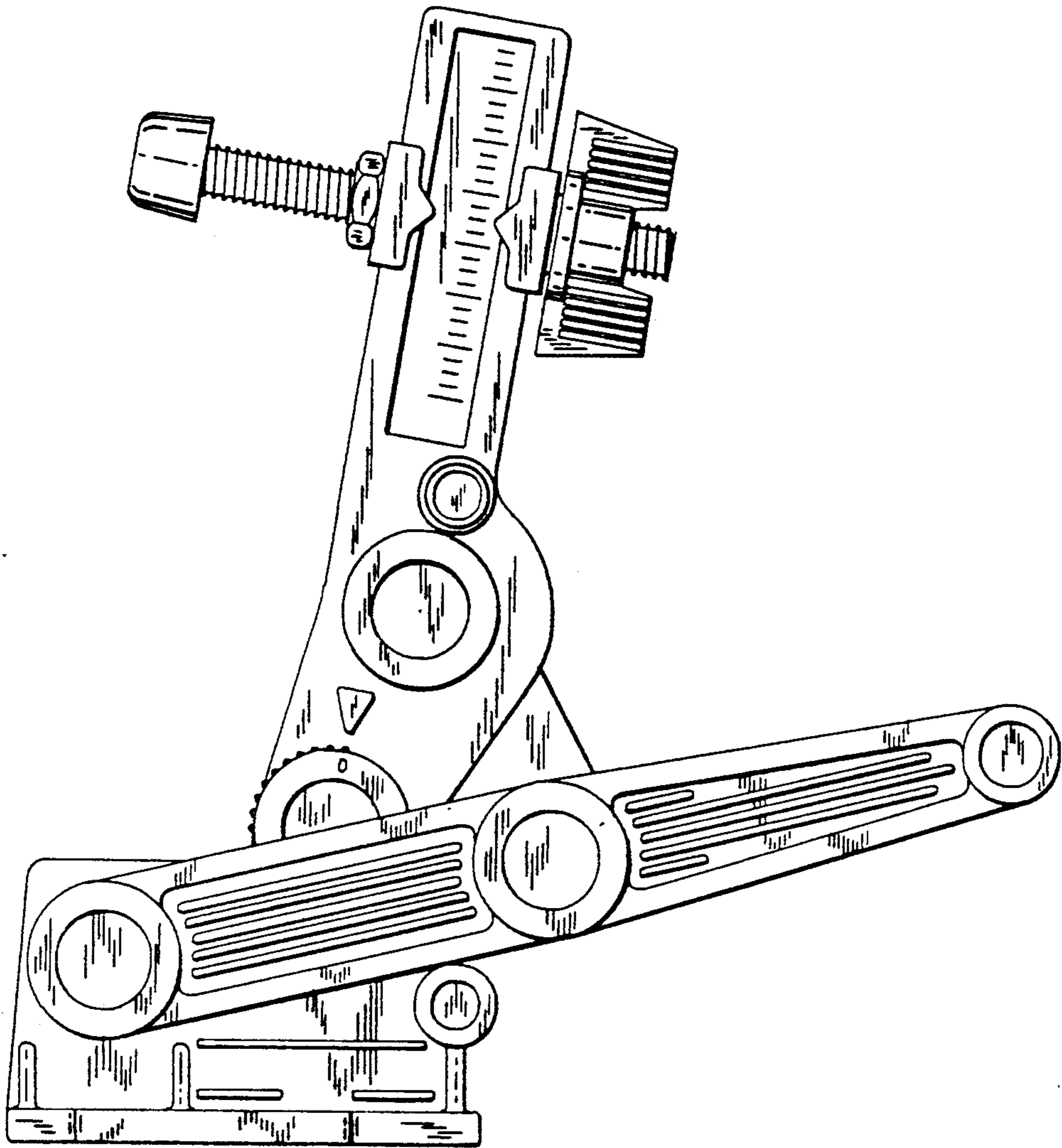


FIG. 2.