



US00D346936S

United States Patent [19]

[11] Patent Number: **Des. 346,936**

Picozza et al.

[45] Date of Patent: **** May 17, 1994**

[54] **FOOD PREPARATION CONTAINER**

2,983,402 5/1961 Gottsegen .
3,057,508 10/1962 Kimbrough, Jr. .
4,982,863 1/1991 Skillius 220/318

[75] Inventors: **Augusto A. Picozza**, Orlando, Fla.;
Takeshi Fukuda, Senriyama-Nishi,
Japan

Primary Examiner—Terry A. Wallace
Attorney, Agent, or Firm—John A. Doninger

[73] Assignee: **Dart Industries Inc.**, Deerfield, Ill.

[57] **CLAIM**

[**] Term: **14 Years**

The ornamental design for a food preparation container, as shown and described.

[21] Appl. No.: **2,053**

DESCRIPTION

[22] Filed: **Dec. 1, 1992**

[52] U.S. Cl. **D7/709**

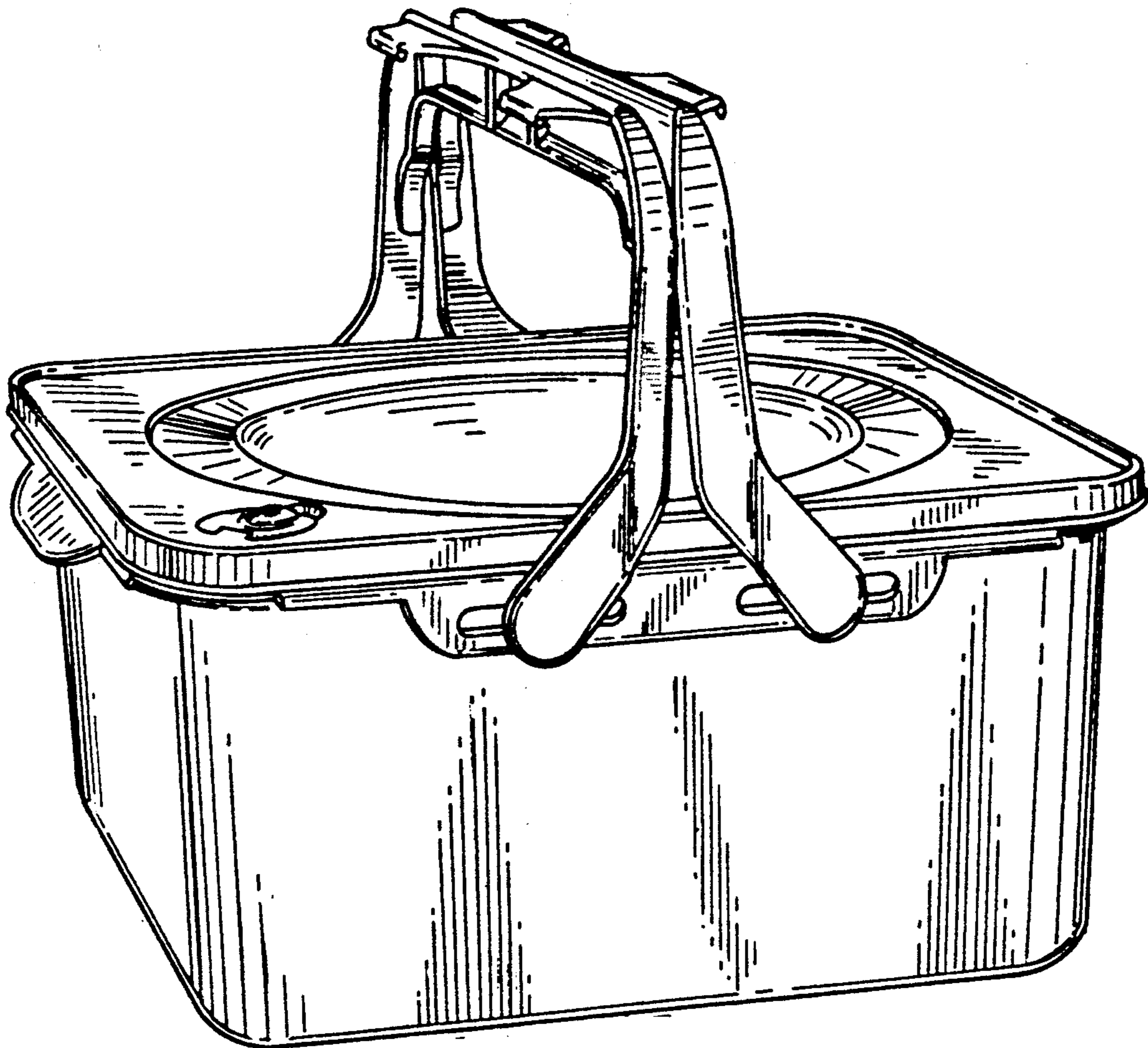
[58] Field of Search **D7/605, 626, 543-549;**
D3/30.1; 62/457.5; 206/541; 220/318, 322,
346, 410, 412, 772-773, DIG. 10

FIG. 1 is a top, side perspective view of a food preparation container showing our new design;
FIG. 2 is a top plan view thereof;
FIG. 3 is a side elevation view thereof, the opposite side being identical;
FIG. 4 is an end elevation view thereof, the opposite end being identical;
FIG. 5 is a bottom plan view thereof;
FIG. 6 is a top, side perspective view thereof with the handles folded;
FIG. 7 is a cross-section view thereof on line 7-7 in FIG. 2; and,
FIG. 8 is a cross-section view thereof on line 8-8 in FIG. 2.

[56] **References Cited**

U.S. PATENT DOCUMENTS

- D. 243,914 4/1977 Marubashi et al. .
- D. 253,331 11/1979 Olschewski .
- D. 257,930 1/1981 Conti .
- D. 277,632 2/1985 Staufenberg .
- D. 302,774 8/1989 Murphy .
- 1,384,851 7/1921 Richardson .
- 2,296,848 12/1939 Gueffroy .



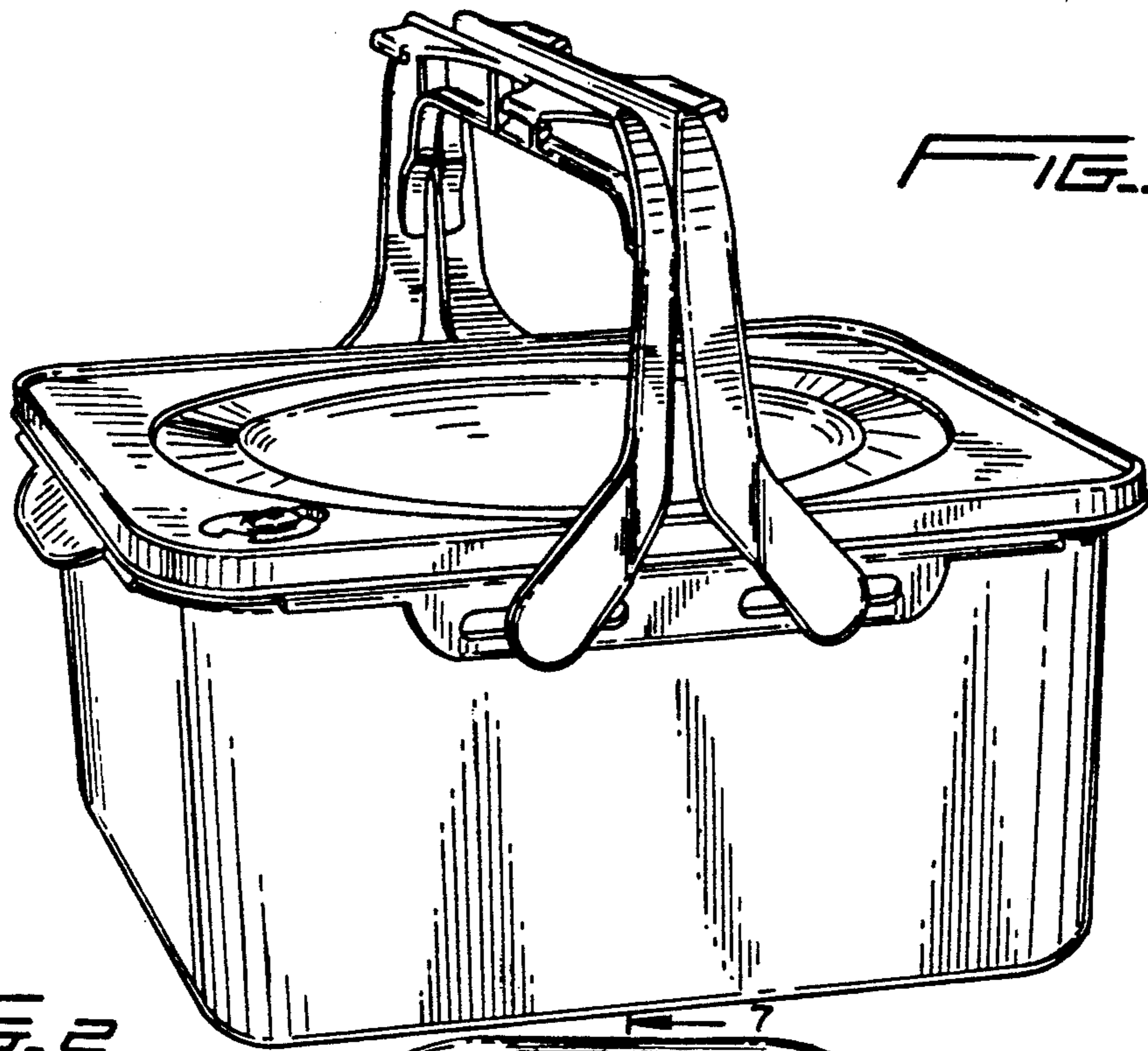


FIG. 1

FIG. 2

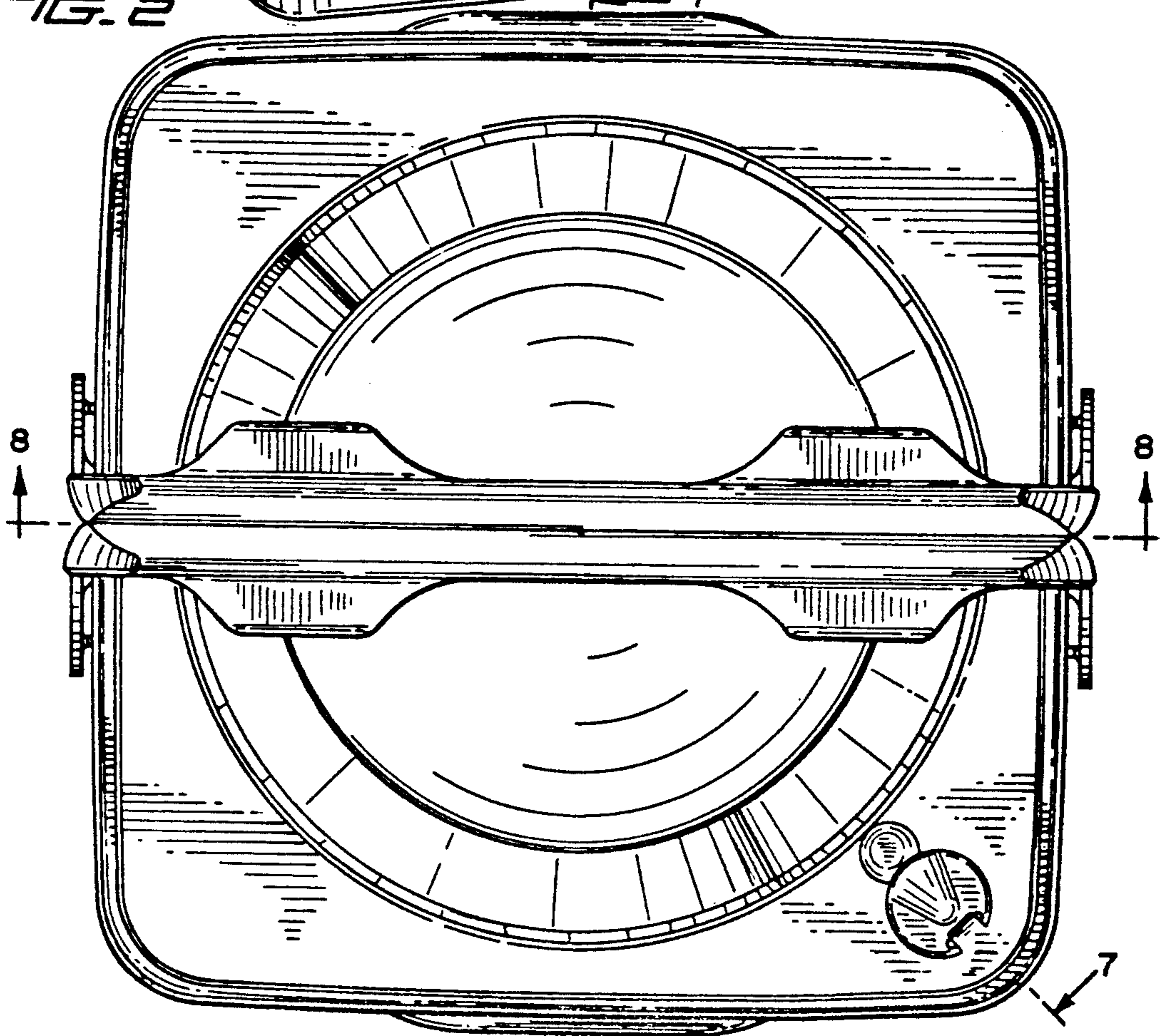


FIG. 3

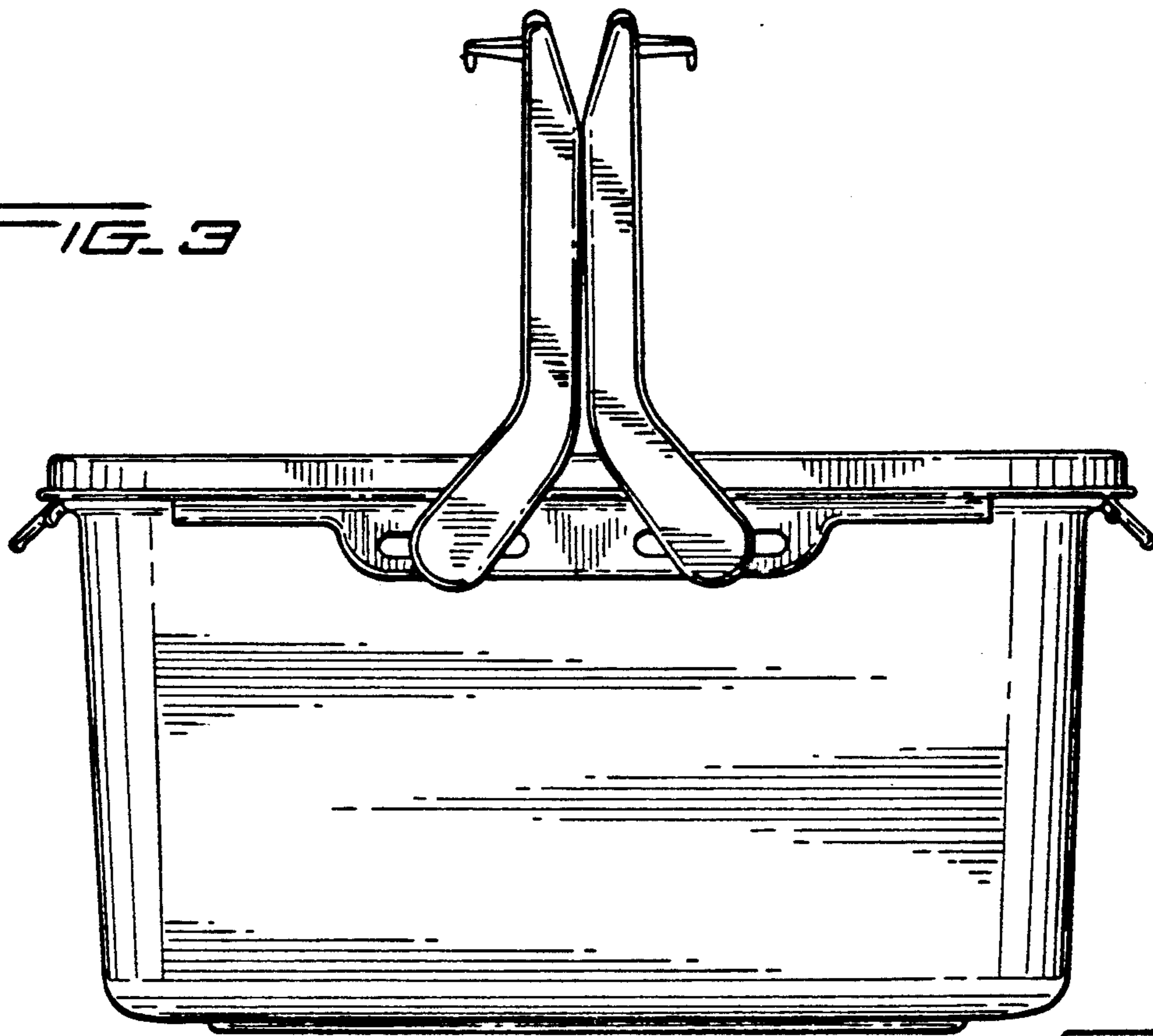


FIG. 4

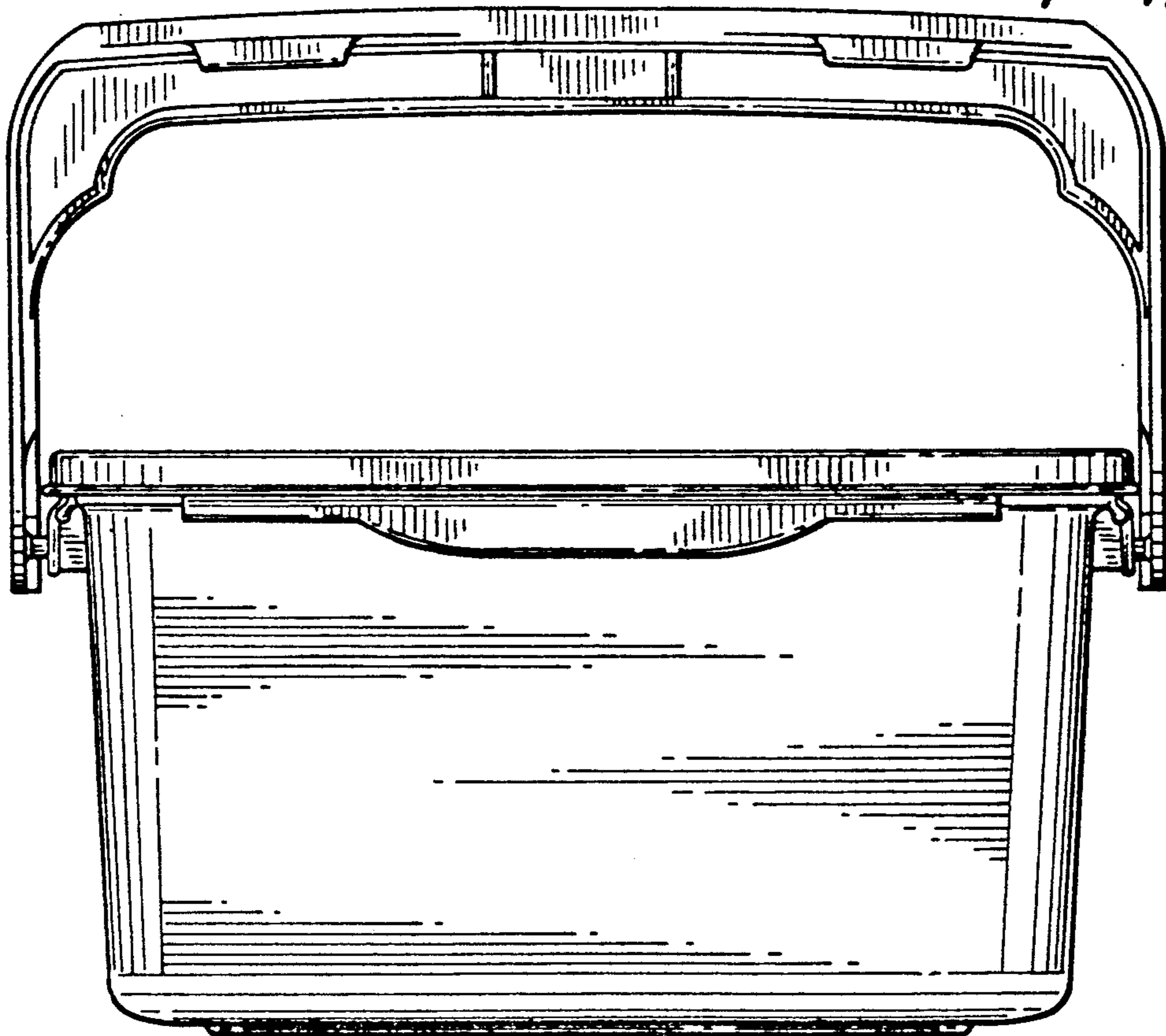


FIG. 5

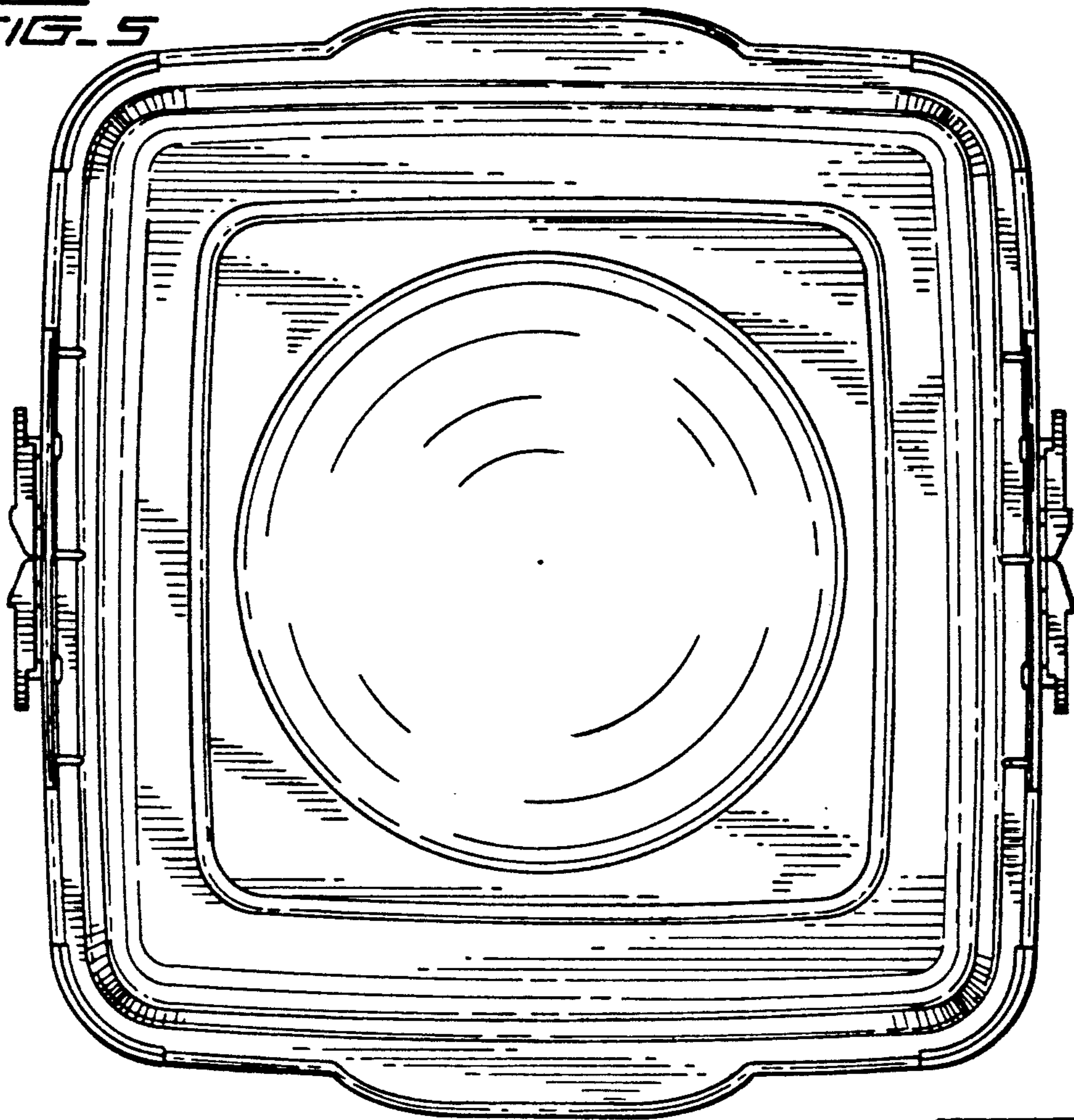
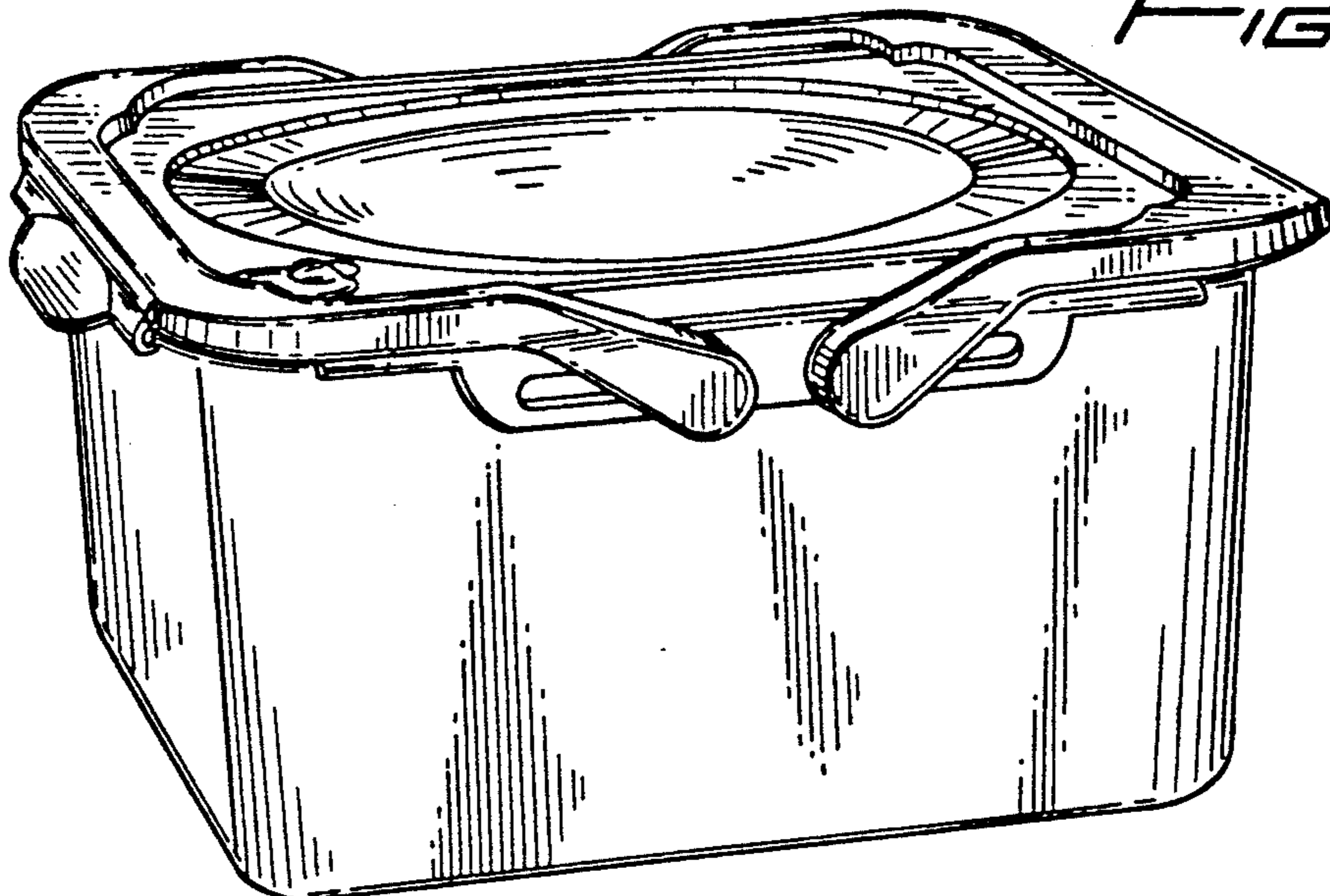


FIG. 6



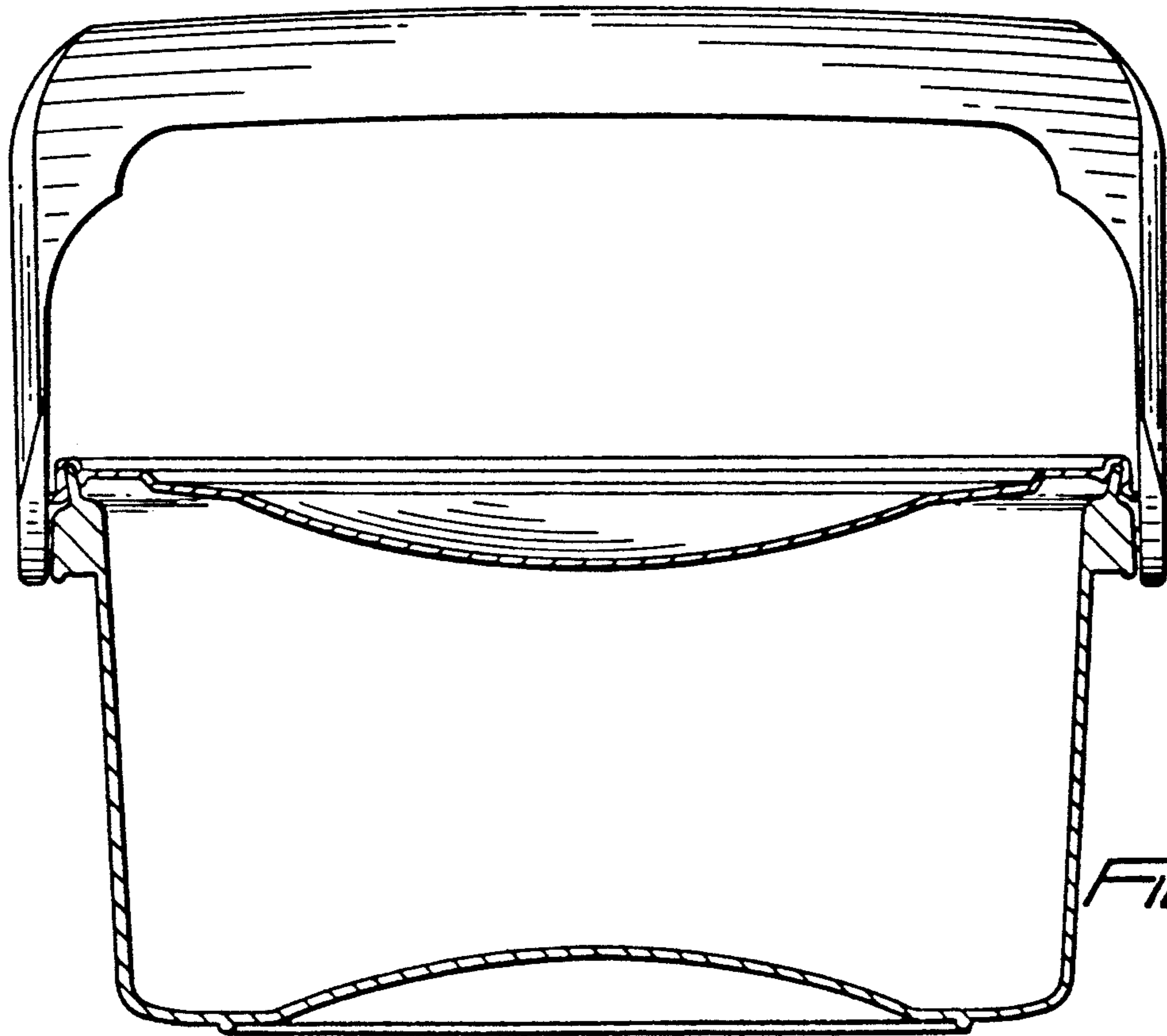
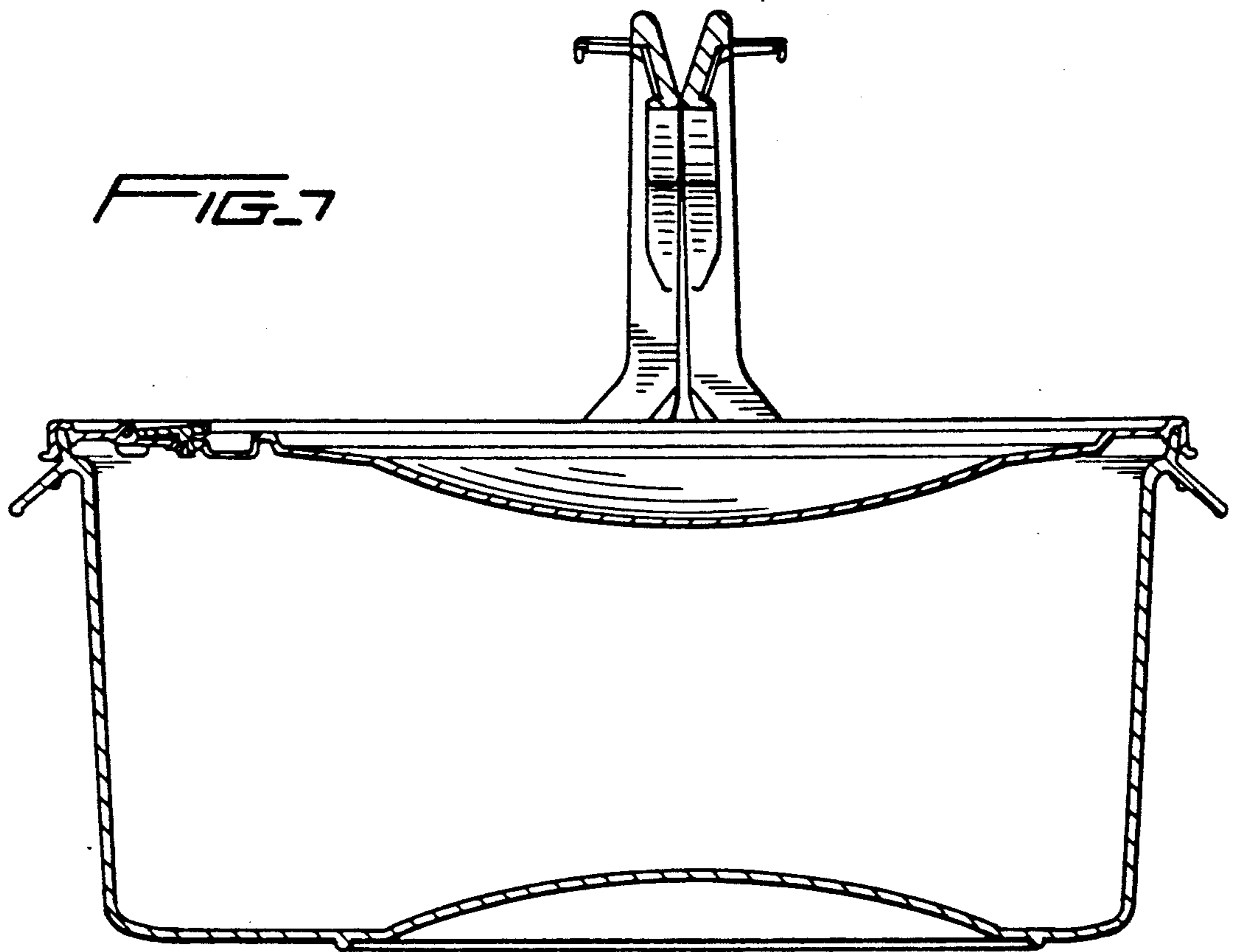


FIG. 8