



US00D346931S

United States Patent [19]
Collins

[11] **Patent Number: Des. 346,931**

[45] **Date of Patent: ** May 17, 1994**

[54] **EGG COOKING RACK FOR A PAN**

[76] **Inventor: Lawrence Collins, 77 Porteous, Fairfax, Calif. 94930**

[**] **Term: 14 Years**

[21] **Appl. No.: 704,649**

[22] **Filed: May 23, 1991**

[52] **U.S. Cl. D7/409; D7/357**

[58] **Field of Search D7/323, 357, 387, 409; 99/339, 342, 411, 416, 418, 440, 448**

[56] **References Cited**

U.S. PATENT DOCUMENTS

451,166	4/1891	Bryant	D7/357 X
1,548,242	8/1925	Anderson	99/440
1,736,122	11/1929	La Duke	99/416 X
4,656,928	4/1987	Mack	99/416 X

Primary Examiner—Alan P. Douglas

Assistant Examiner—Caron D. Veynar

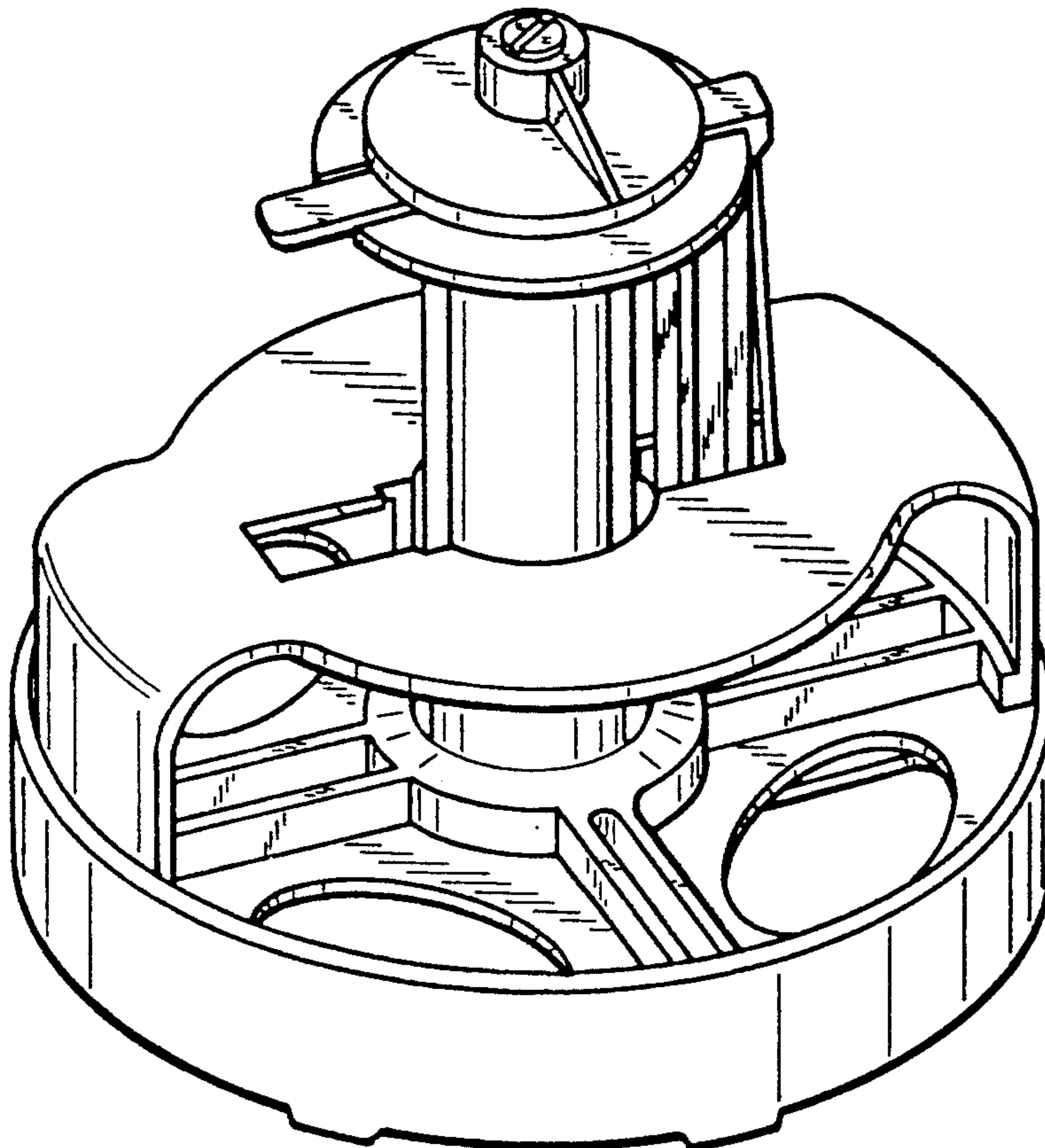
Attorney, Agent, or Firm—Larry D. Johnson

[57] **CLAIM**

The ornamental design for a egg cooking rack for a pan, as shown and described.

DESCRIPTION

FIG. 1 is a perspective view of the egg cooking rack for a pan with its carrier in the down position;
 FIG. 2 is a front plan view thereof with its carrier in the down position, the rear view being a mirror image;
 FIG. 3 is a top plan view thereof;
 FIG. 4 is a right side elevational view thereof with its carrier in the down position;
 FIG. 5 is a left side elevational view thereof with its carrier in the down position;
 FIG. 6 is a bottom plan view thereof;
 FIG. 7 is a perspective view thereof with its carrier in the up position; and,
 FIG. 8 is a front plan view thereof with its carrier in the up position, the rear view being a mirror image.



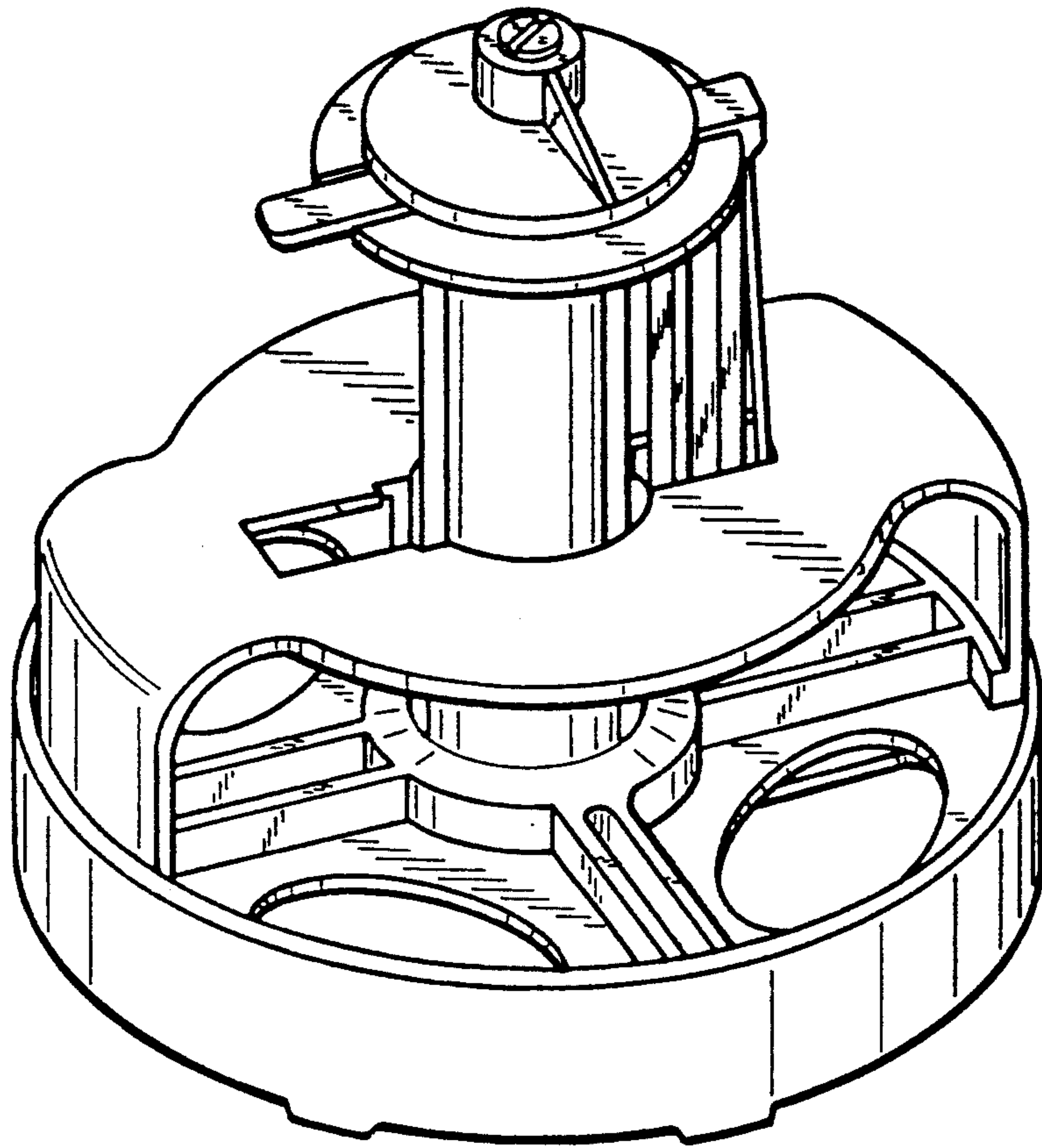


FIG. 1

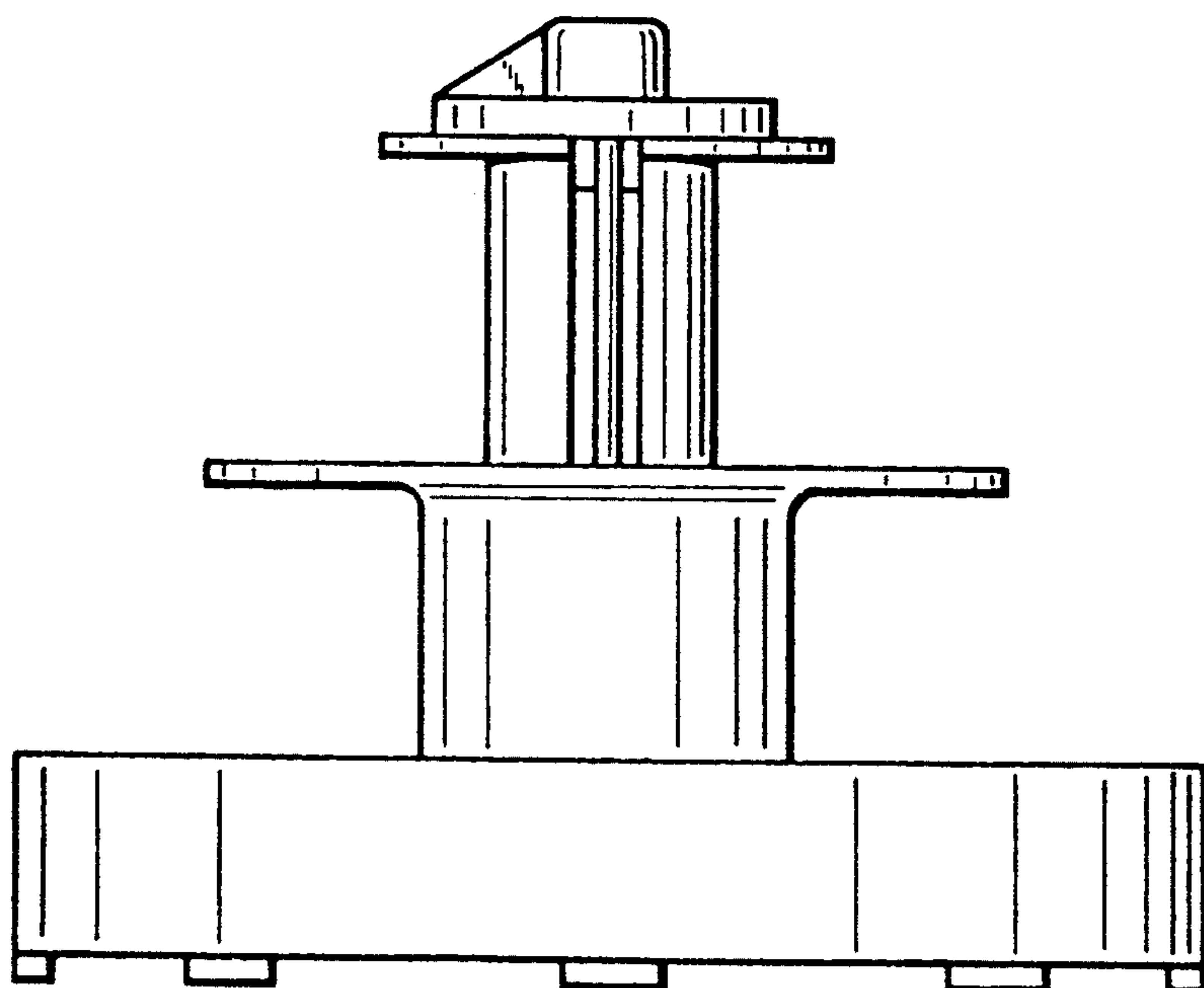


FIG. 4

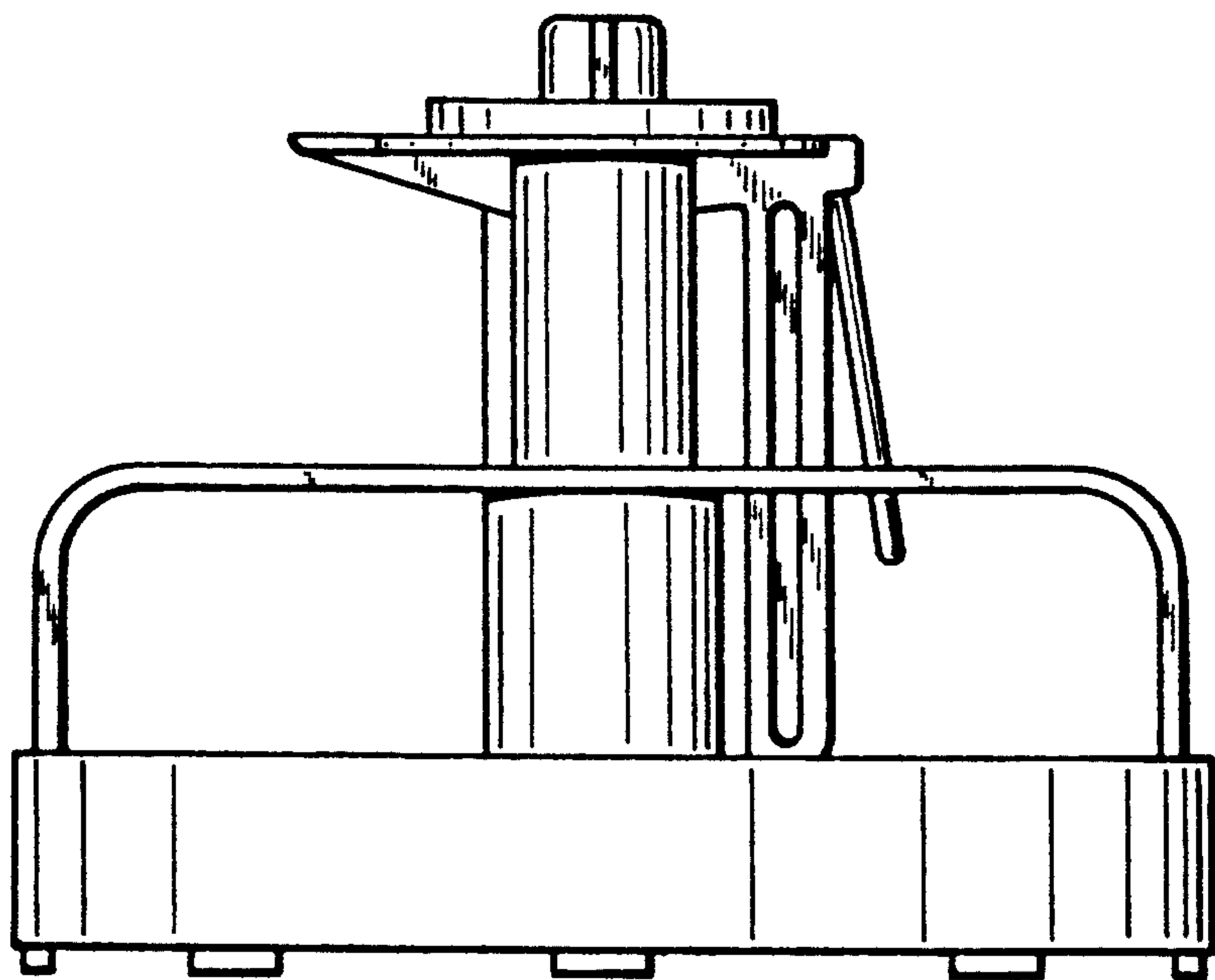


FIG. 2

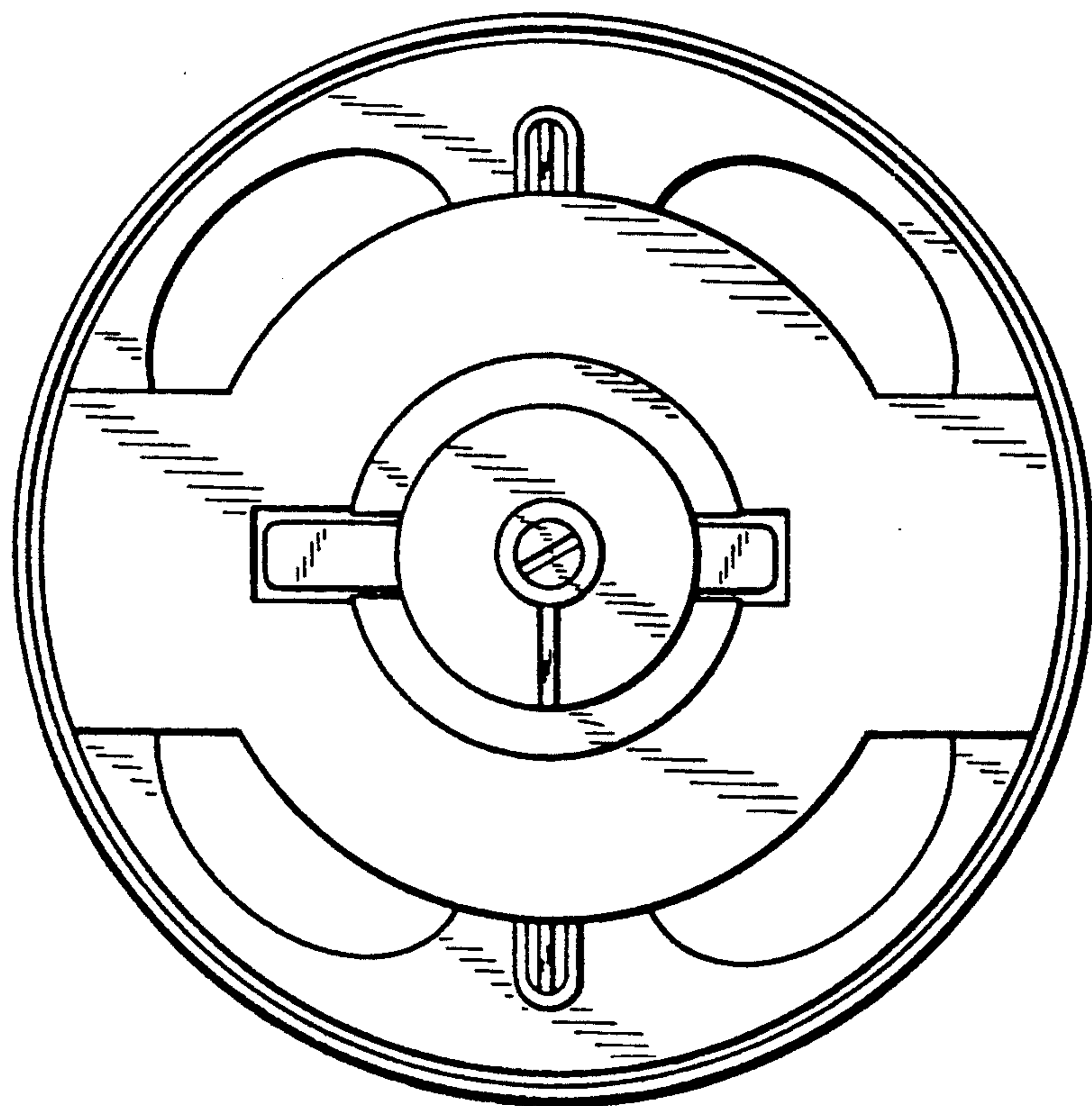


FIG. 3

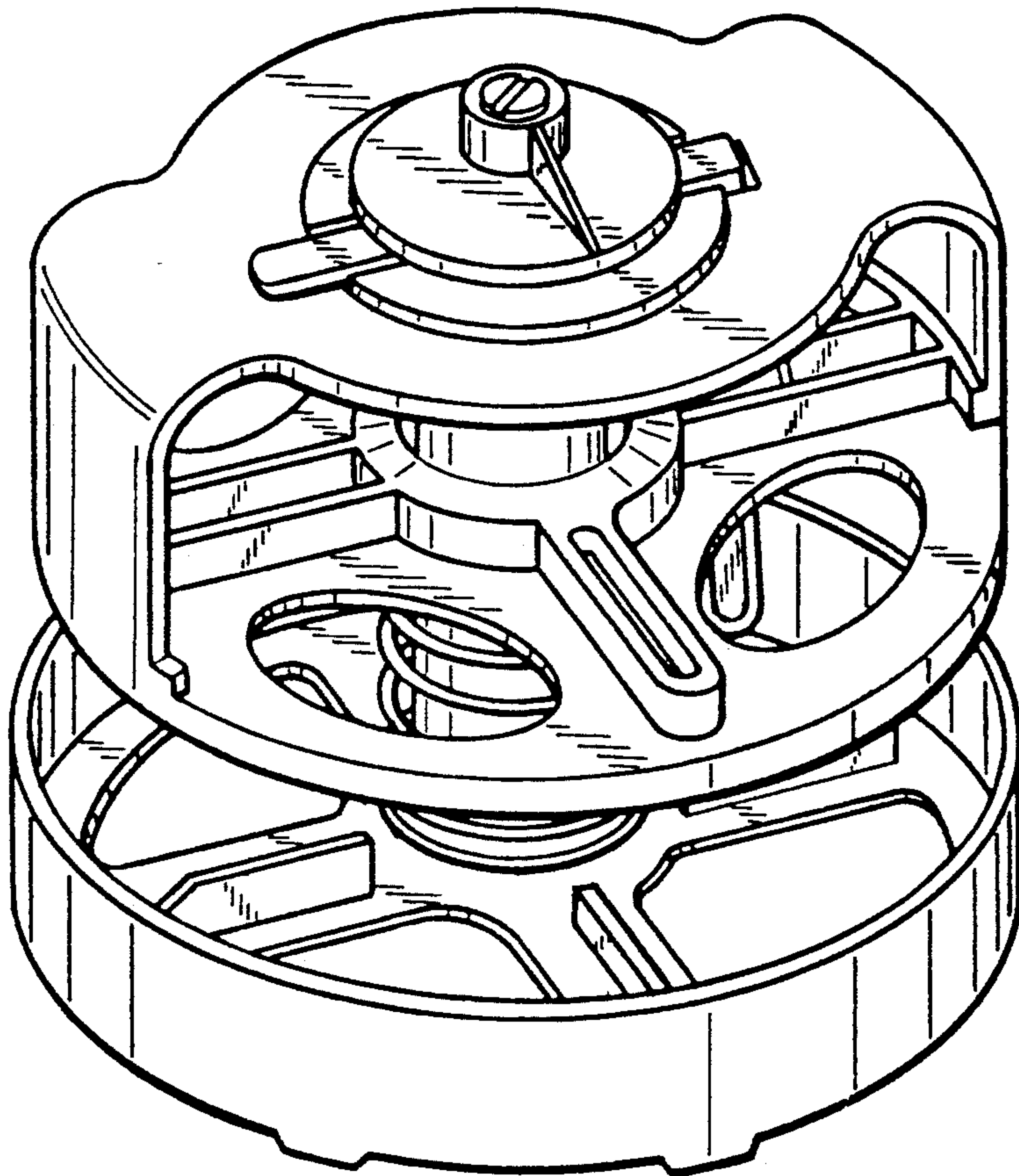


FIG. 7

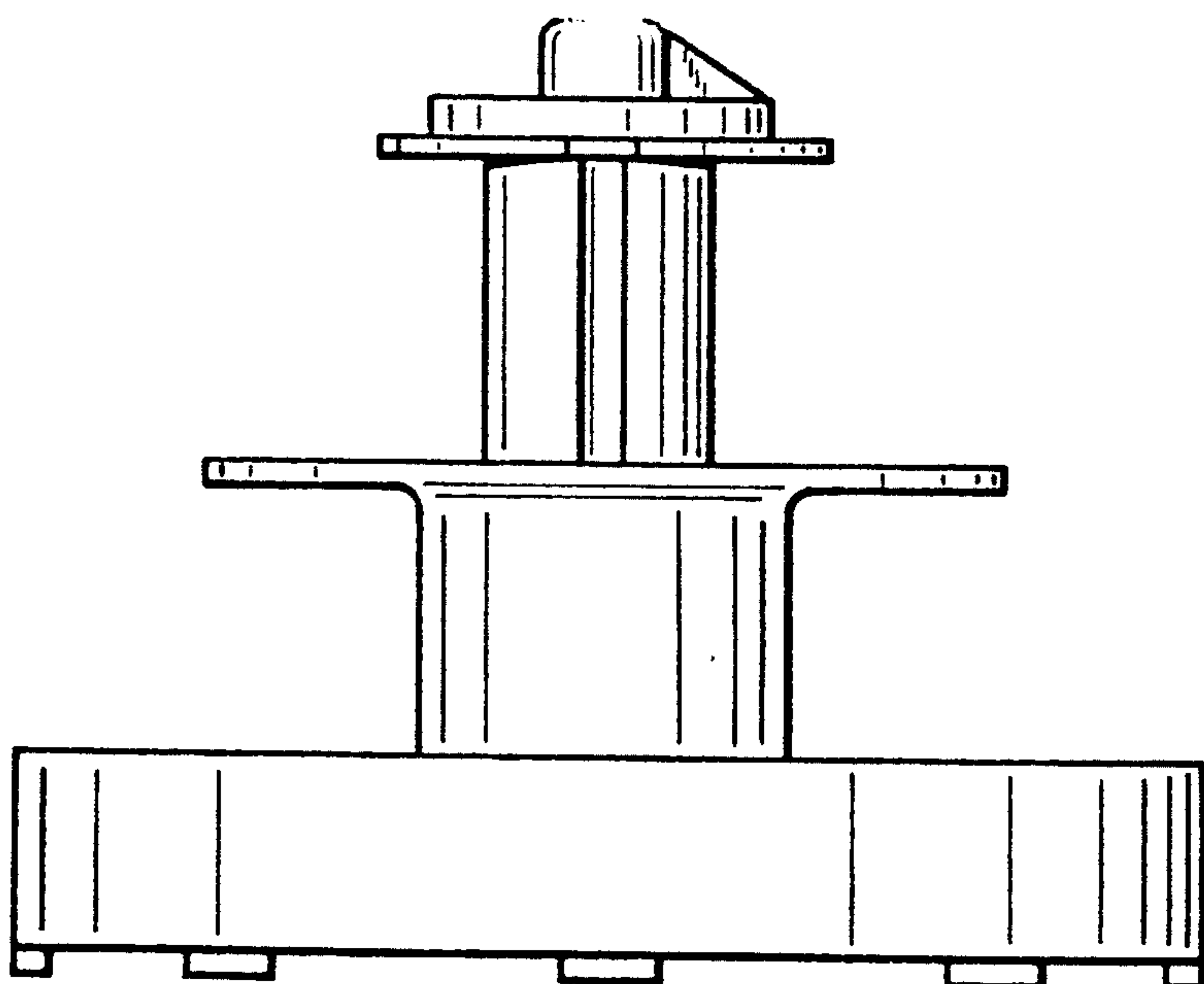


FIG. 5

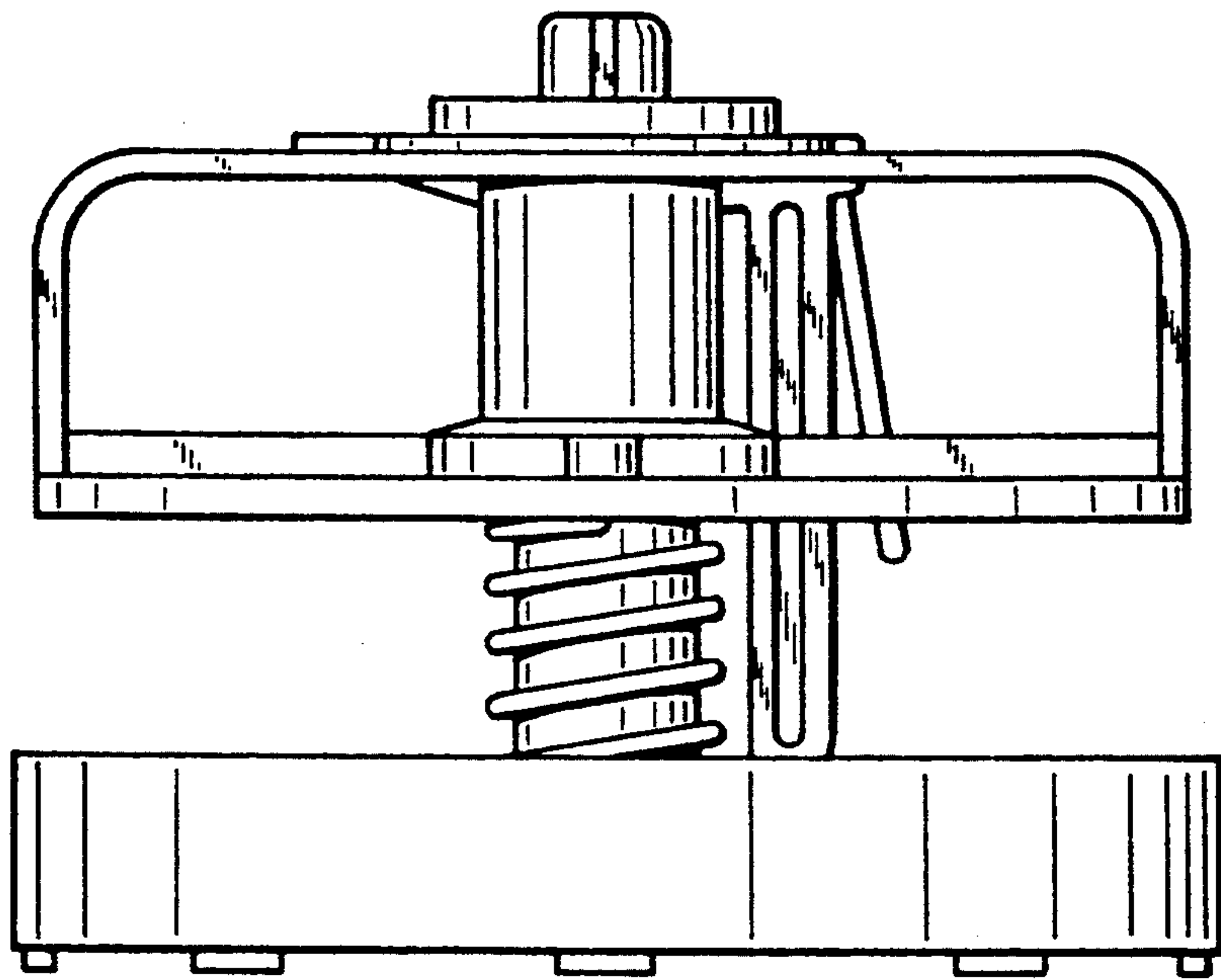


FIG. 8

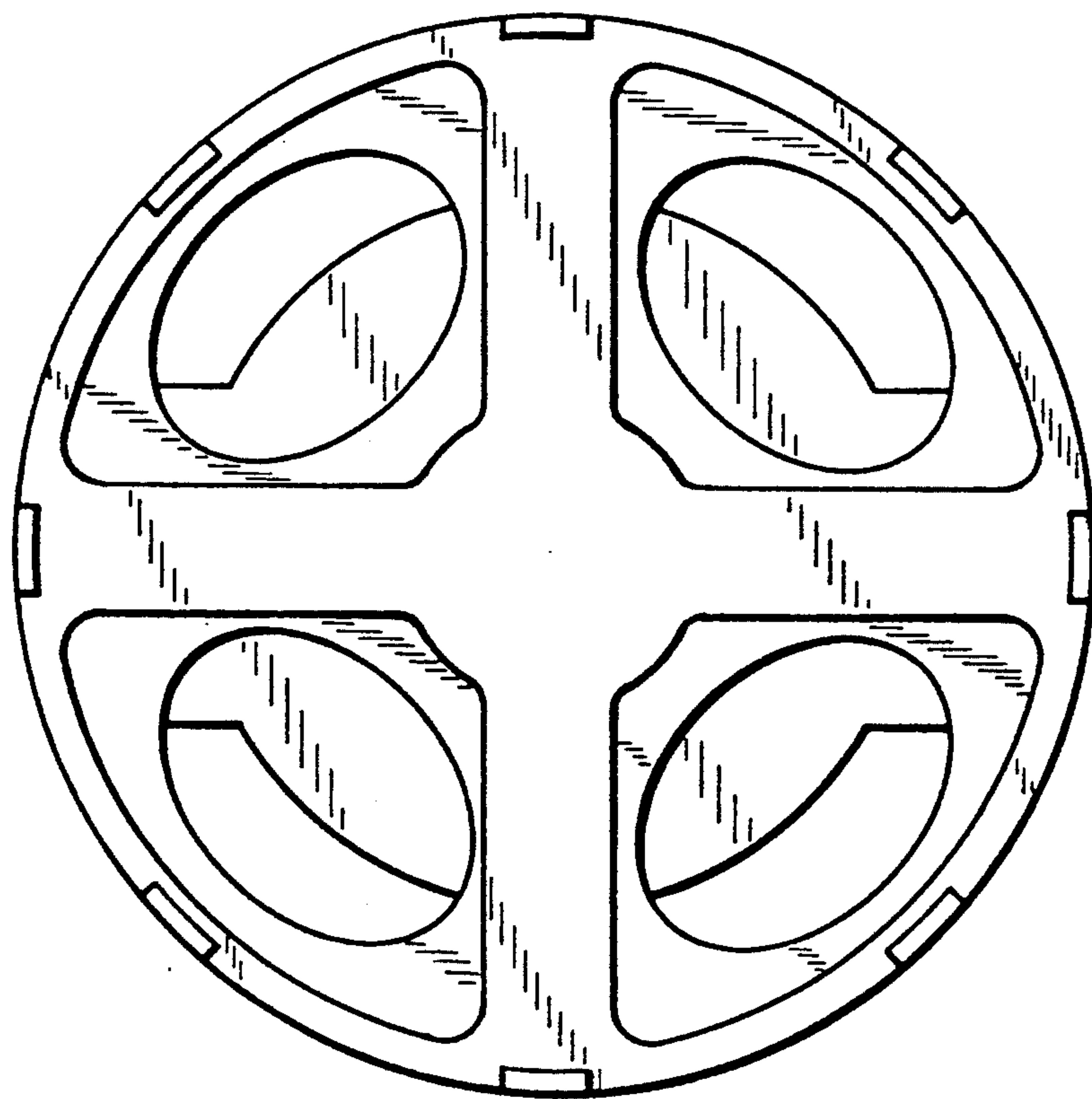


FIG. 6