



US00D346929S

United States Patent [19]

Fraser et al.

[11] Patent Number: **Des. 346,929**

[45] Date of Patent: **** May 17, 1994**

[54] **TILTROLL FOR ADJUSTING BLINDS**

[75] Inventors: **Donald E. Fraser, Owensboro;**
Richard N. Anderson, Whitesville,
both of Ky.

[73] Assignee: **Hunter Douglas Inc., Upper Saddle**
River, N.J.

[**] Term: **14 Years**

[21] Appl. No.: **832,761**

[22] Filed: **Feb. 7, 1992**

[52] U.S. Cl. **D6/580**

[58] Field of Search **D8/107, 94, 83;**
160/176.1, 384; 16/111; D6/580

4,541,468	9/1985	Anderson	160/177
4,697,629	10/1987	Anderson	160/177
4,821,789	4/1989	Van Rens	160/176.1
4,945,971	10/1990	Ivarsson et al.	160/178.3
5,074,349	12/1991	Yannazzone	160/177

FOREIGN PATENT DOCUMENTS

158259	3/1957	Sweden .
765419	1/1957	United Kingdom .
1081975	9/1967	United Kingdom .
WO91/14848	10/1991	World Int. Prop. O. .

Primary Examiner—James M. Gandy

Assistant Examiner—H. Baynham

[57] CLAIM

The ornamental design for a tiltroll for adjusting blinds, as shown and described.

DESCRIPTION

FIG. 1 is a top, front, right side perspective view of a tiltroll for adjusting blinds showing our new design; FIG. 2 is a bottom, front, right side perspective view thereof; FIG. 3 is a right side elevational view thereof with the left side being a mirror image thereof; FIG. 4 is a top plan view thereof; FIG. 5 is a bottom plan view thereof; and, FIG. 6 is a front elevational view thereof with the rear view being a mirror image thereof.

[56] References Cited

U.S. PATENT DOCUMENTS

D. 329,350	9/1992	Jian	D6/580
D. 331,517	12/1992	Warner	D6/580
D. 335,059	4/1993	Schaefer et al.	D6/580
2,495,888	1/1950	Burns	160/176
2,667,220	1/1954	Rutledge	160/177
3,630,264	12/1971	Debs et al.	160/177
3,921,695	11/1975	Debs	160/176
4,214,622	7/1980	Debs	160/168
4,262,728	4/1981	Debs	160/168
4,494,593	1/1985	Fielder, Jr.	160/177

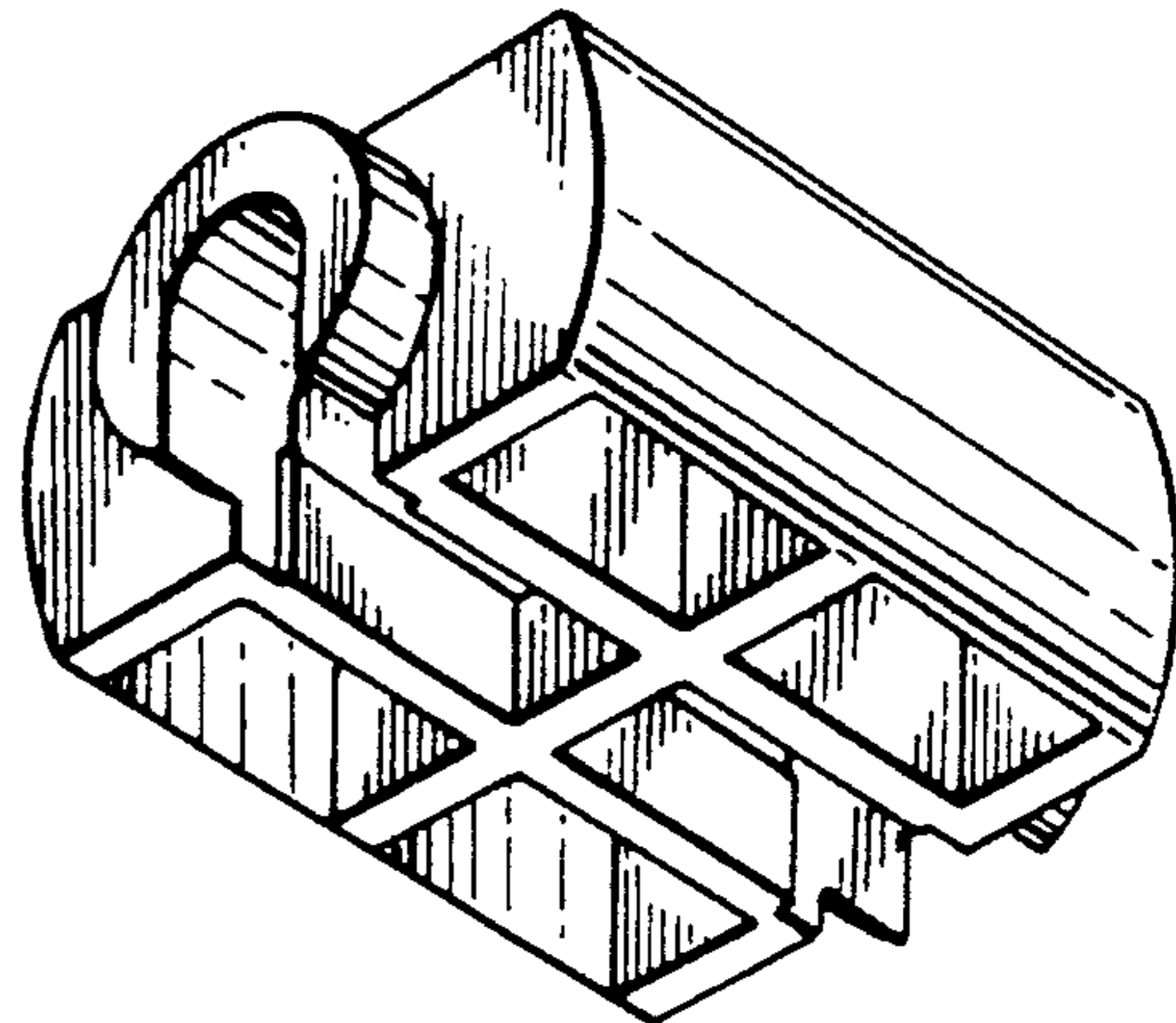
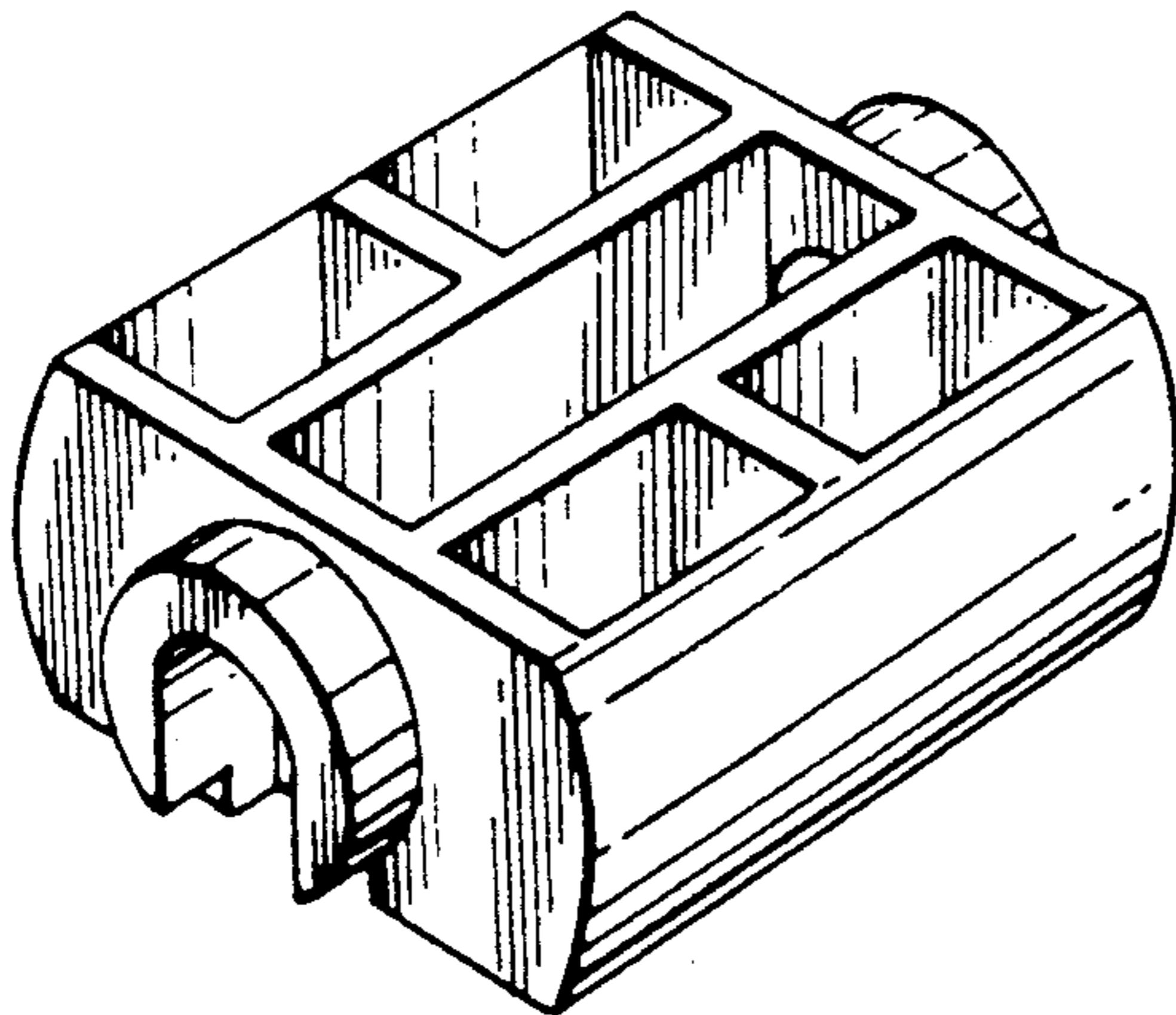


Fig.1.

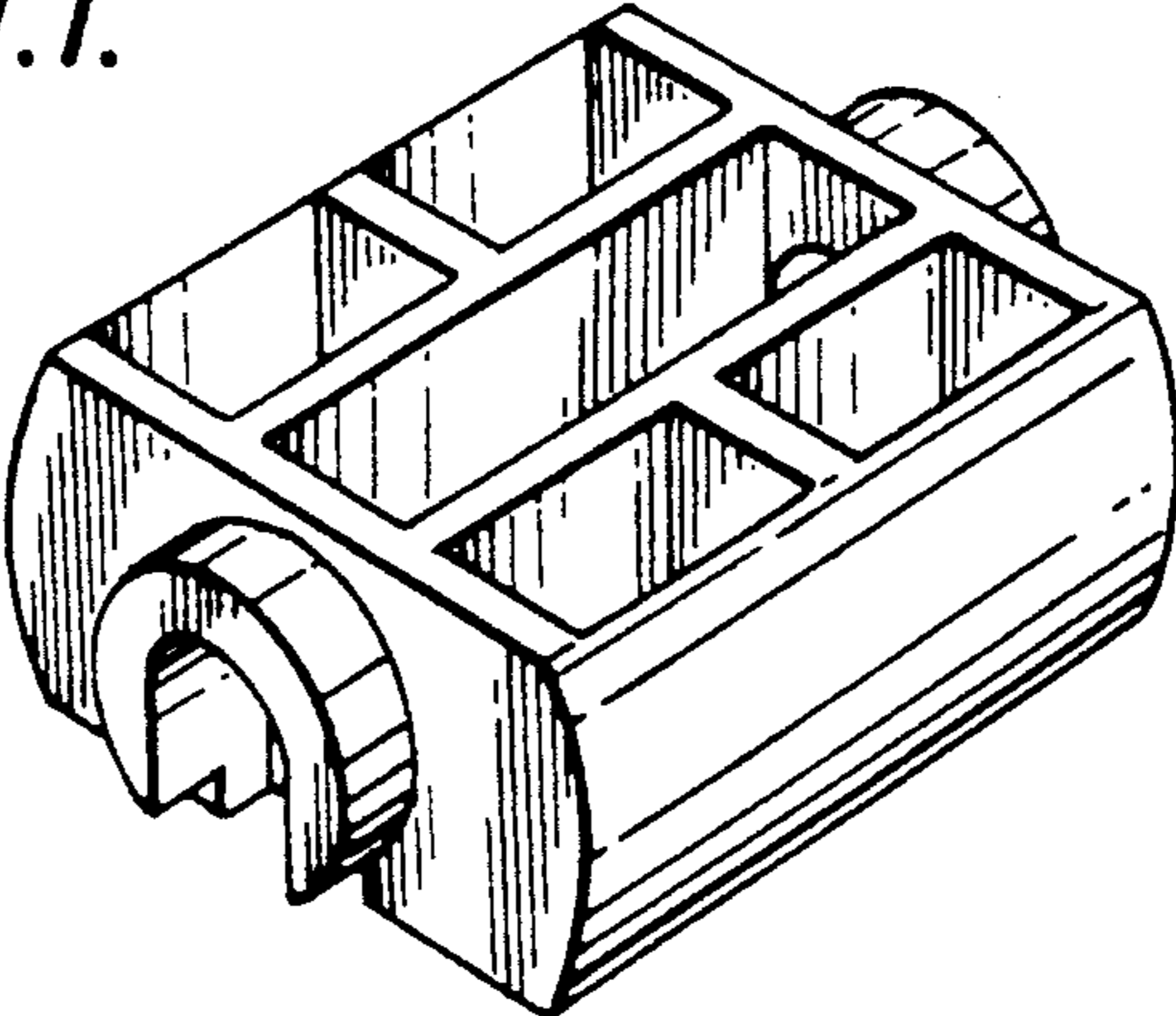


Fig.2.

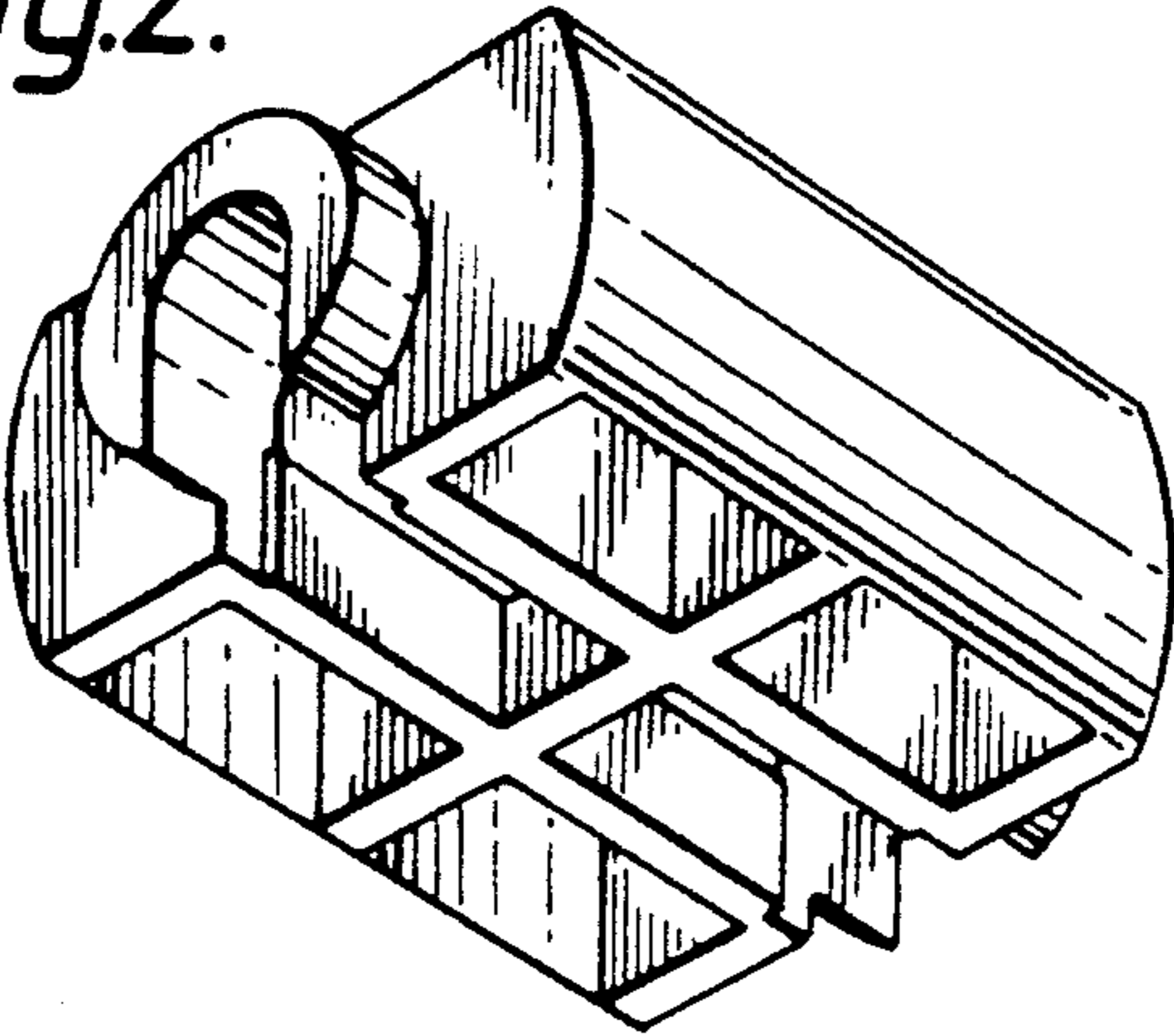


Fig.3.

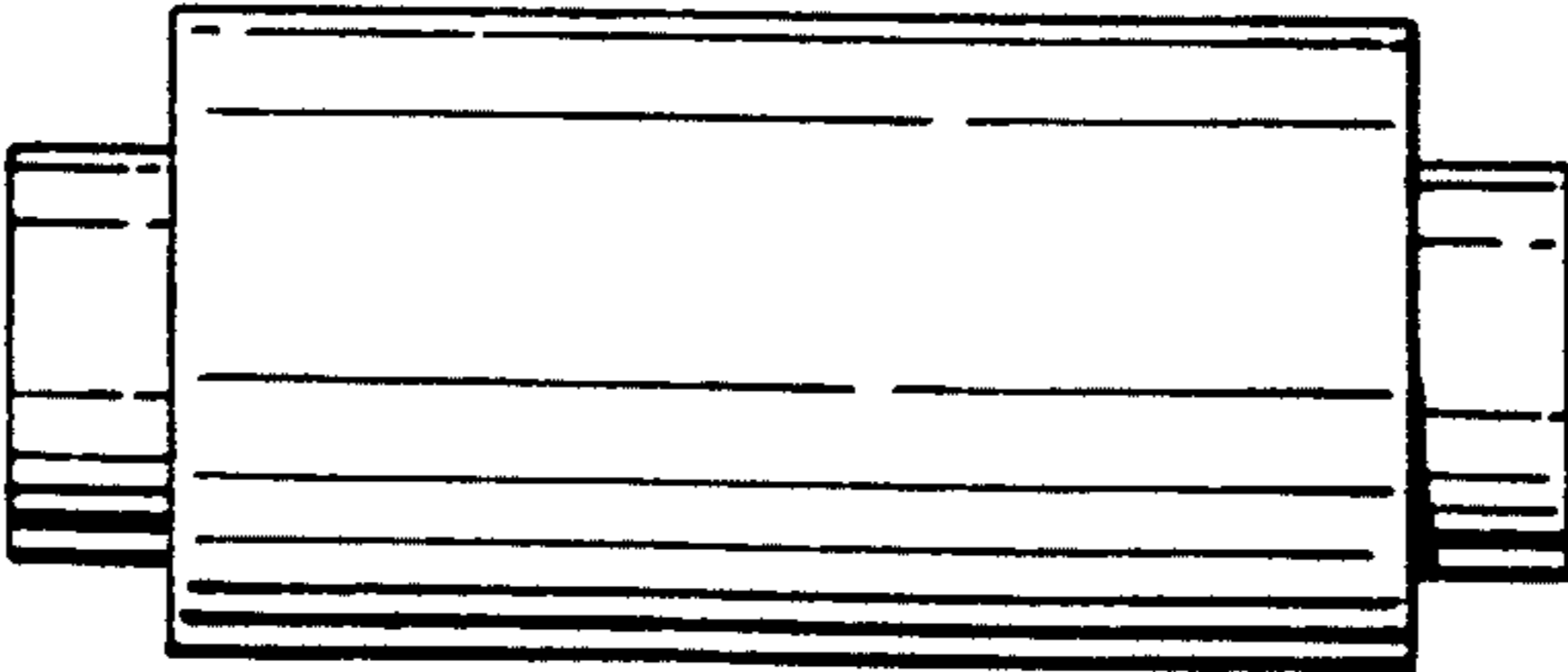


Fig.4.

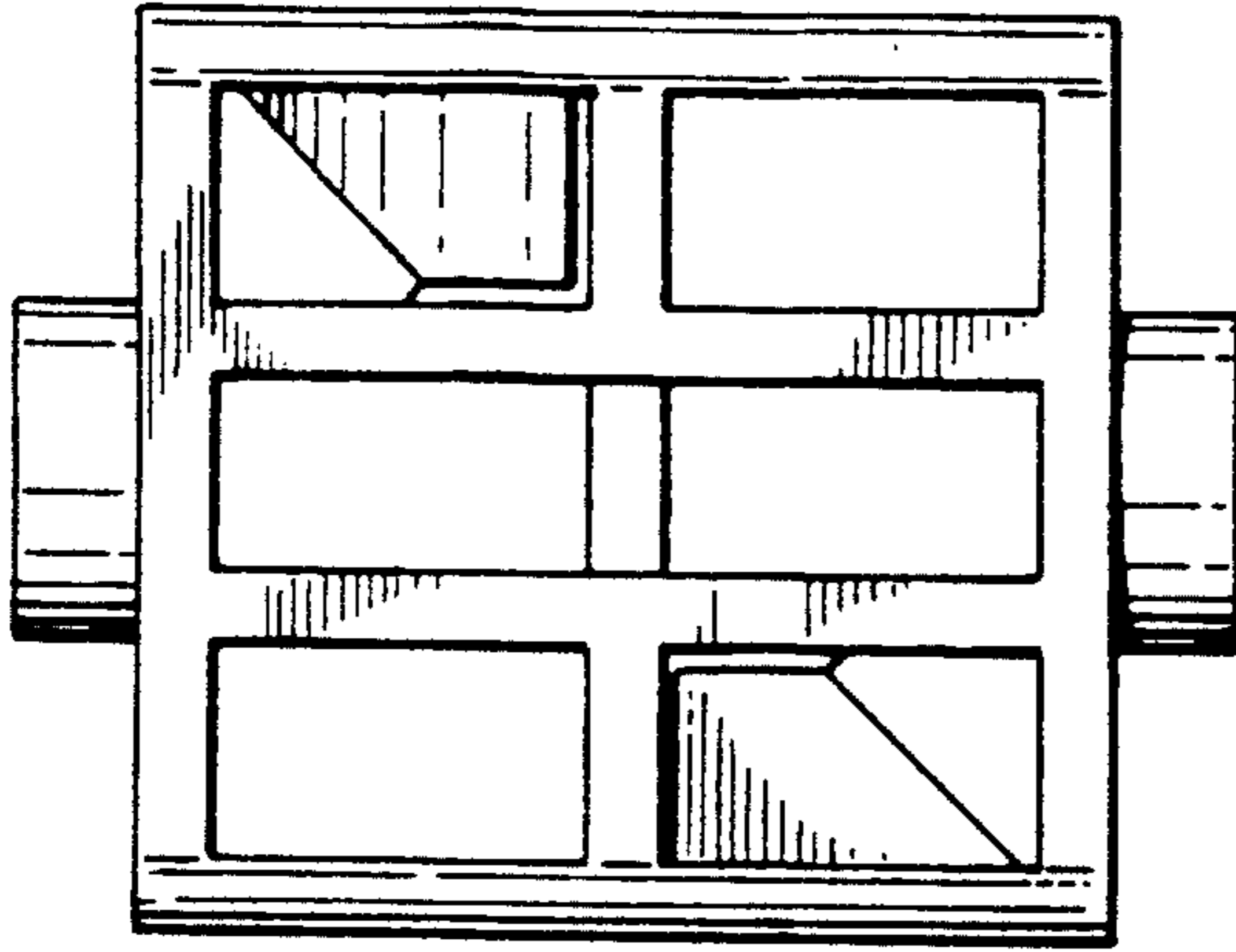


Fig.5.

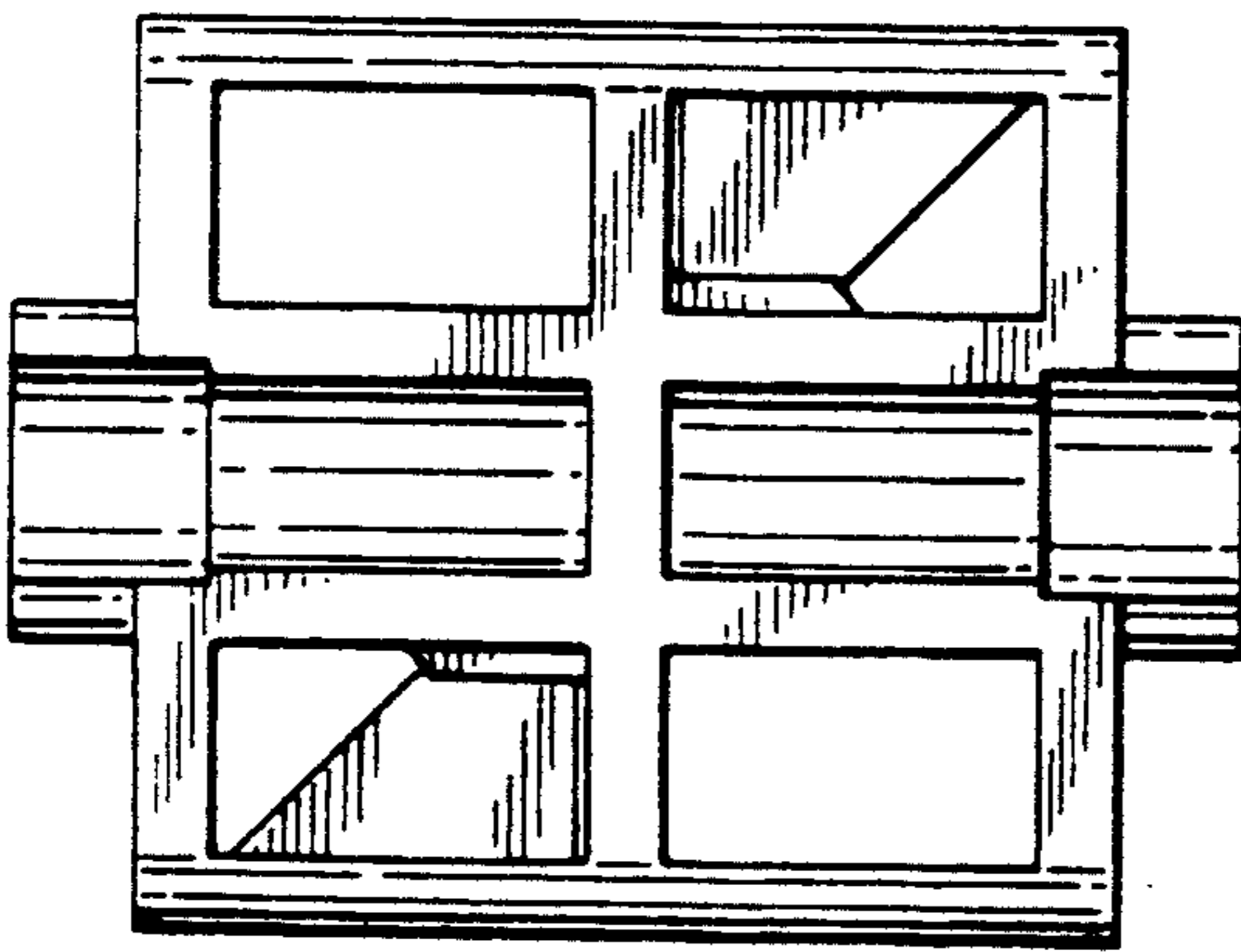


Fig.6.

