



US00D346928S

United States Patent [19]

[11] Patent Number: **Des. 346,928**

Shames et al.

[45] Date of Patent: **** May 17, 1994**

[54] SOAP DISH

295,006 4/1988 Fayerman et al. .

[76] Inventors: **Sidney J. Shames**, 57 Holly Pl.,
Briarcliff Manor, N.Y. 10510; **Harold Shames**, 5 Agnes Cir., Ardsley, N.Y. 10502

299,096 12/1988 Fayerman et al. .

299,098 12/1988 Fayerman et al. .

D. 314,485 2/1991 Chap et al. D6/540

Primary Examiner—Brian N. Vinson
Attorney, Agent, or Firm—Bullwinkel Partners, Ltd.

[**] Term: **14 Years**

[57] CLAIM

[21] Appl. No.: **884,549**

The ornamental design for a soap dish, as shown and described.

[22] Filed: **May 15, 1992**

[52] U.S. Cl. **D6/540**

DESCRIPTION

[58] Field of Search D6/524, 536, 540;
211/13, 86-88, 126, 134; 248/309.1; 206/77.1

FIG. 1 is a perspective view of a soap dish showing our new design;

FIG. 2 is a top plan thereof;

FIG. 3 is a left side elevational view thereof, the opposite side being a mirror image;

FIG. 4 is a front elevational view thereof; and,

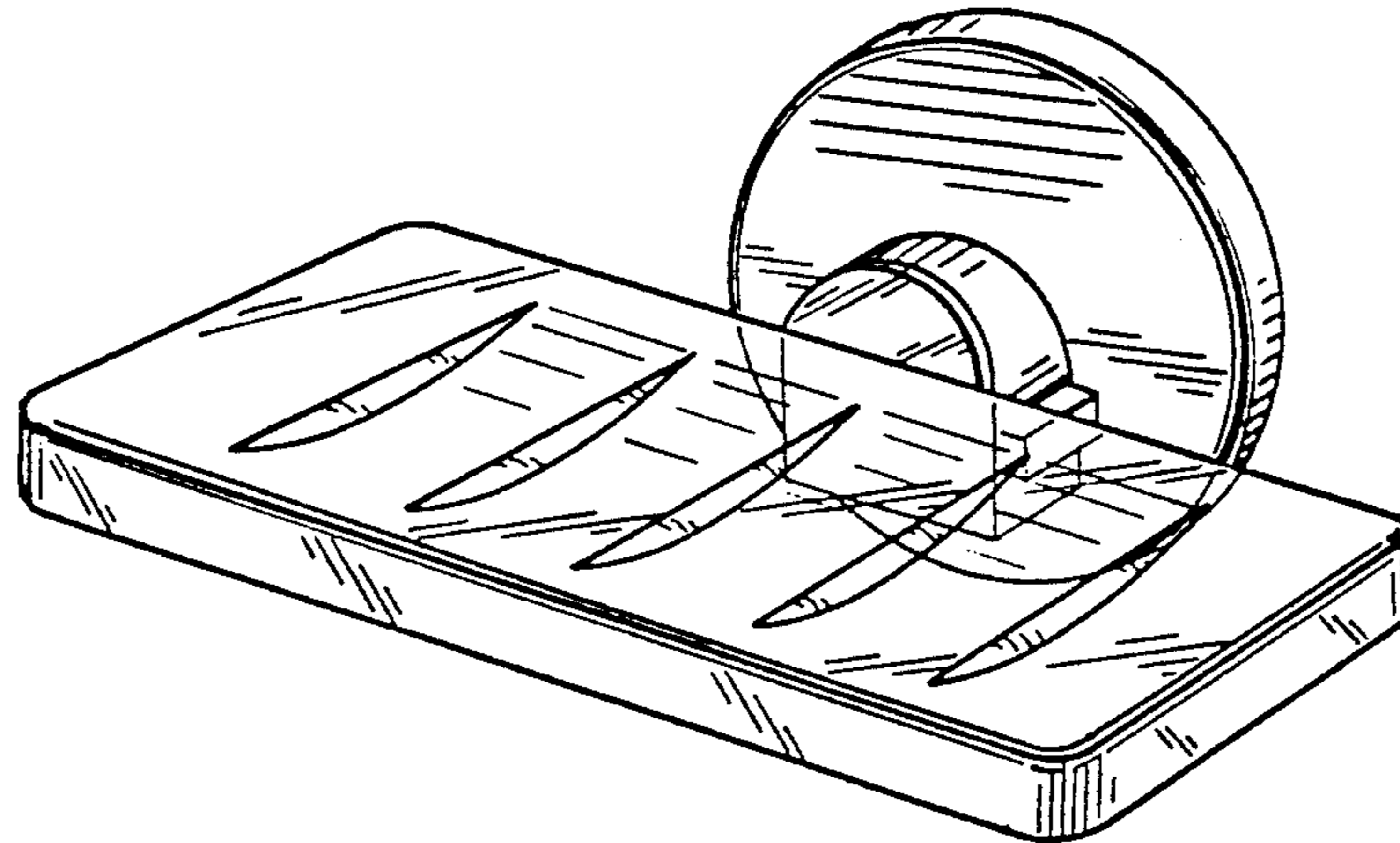
FIG. 5 is a bottom plan view thereof.

[56] References Cited

U.S. PATENT DOCUMENTS

D. 291,638 9/1987 Chap D6/540

D. 294,094 2/1988 Tegner D6/536 X



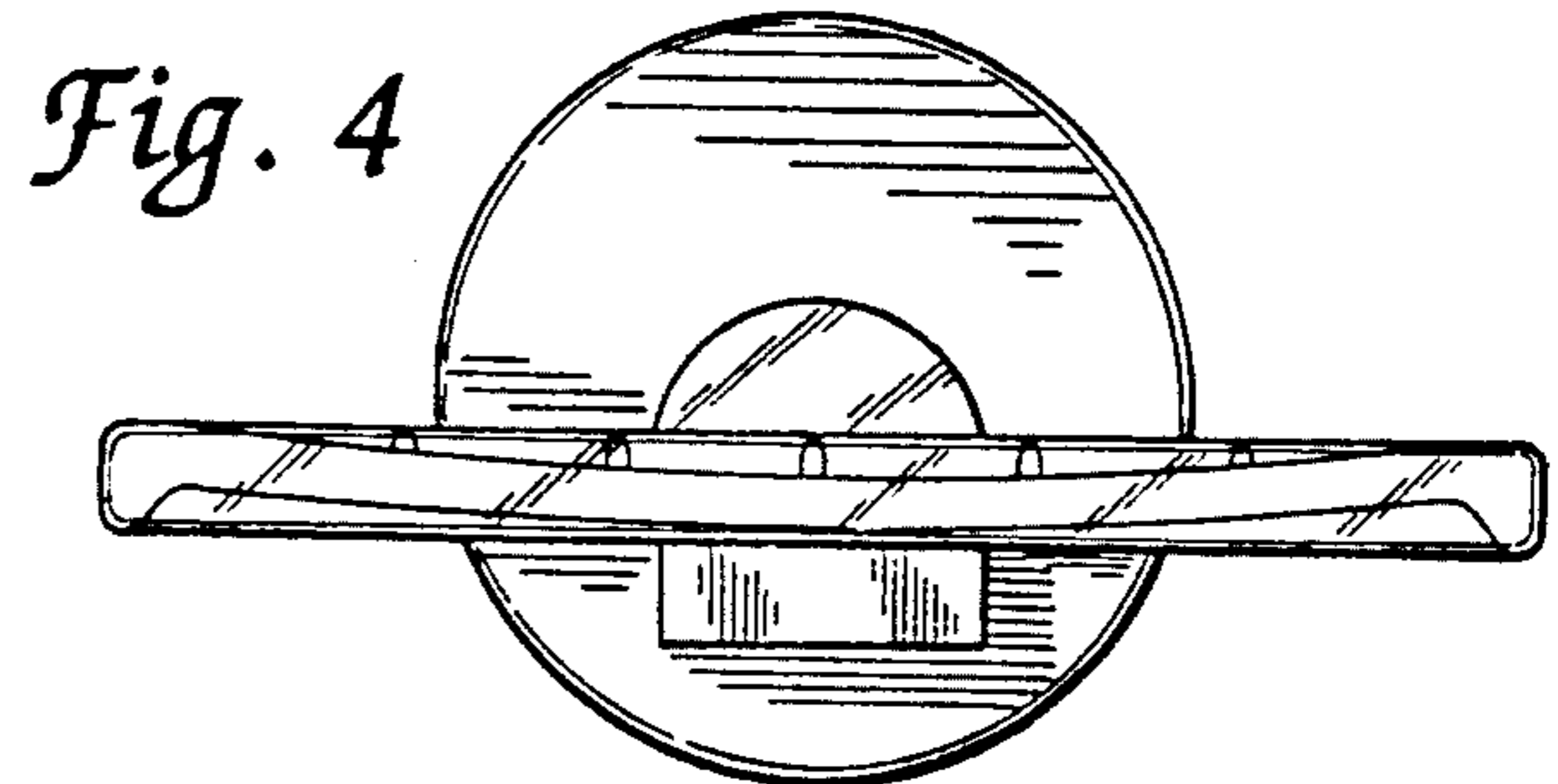
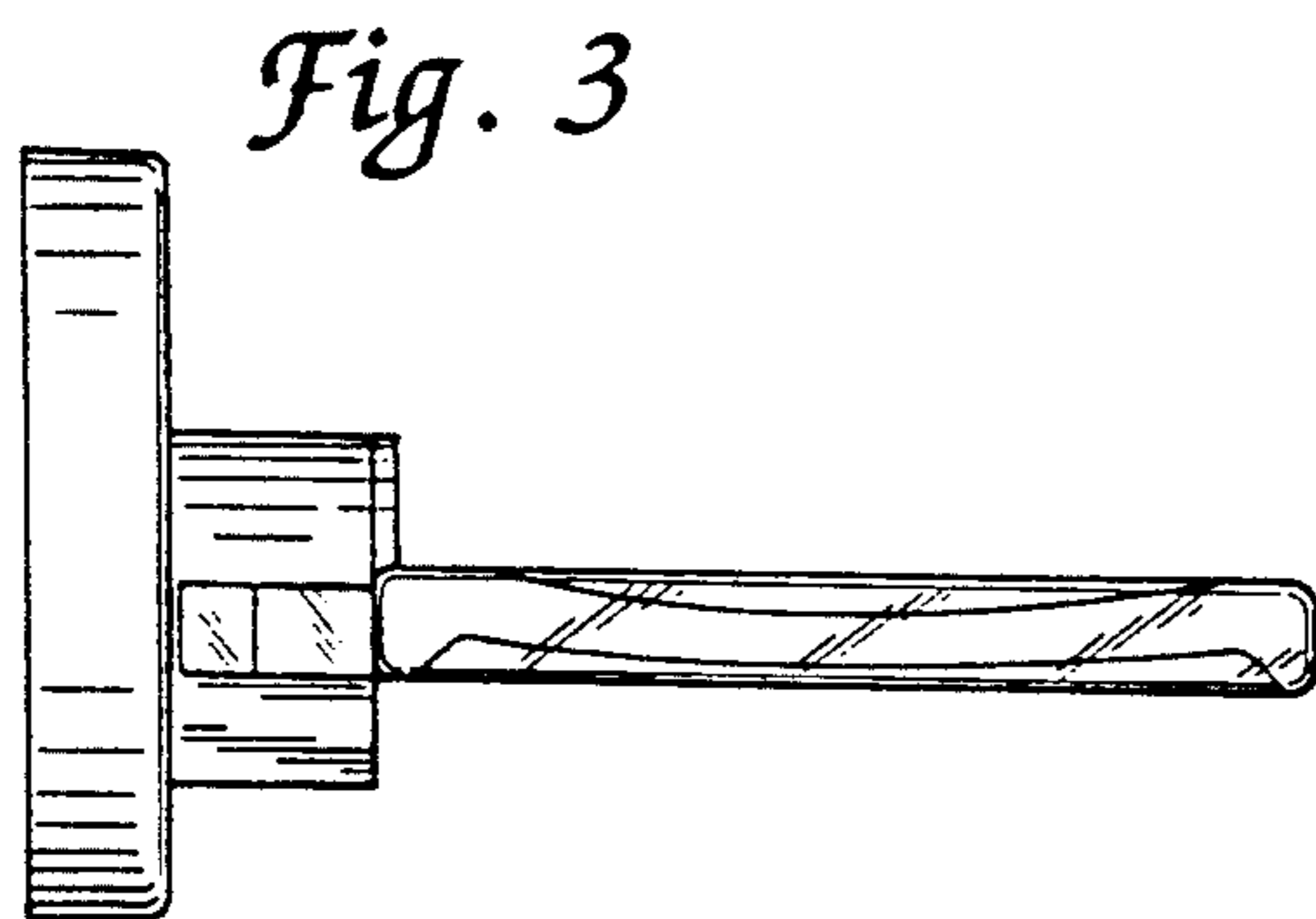
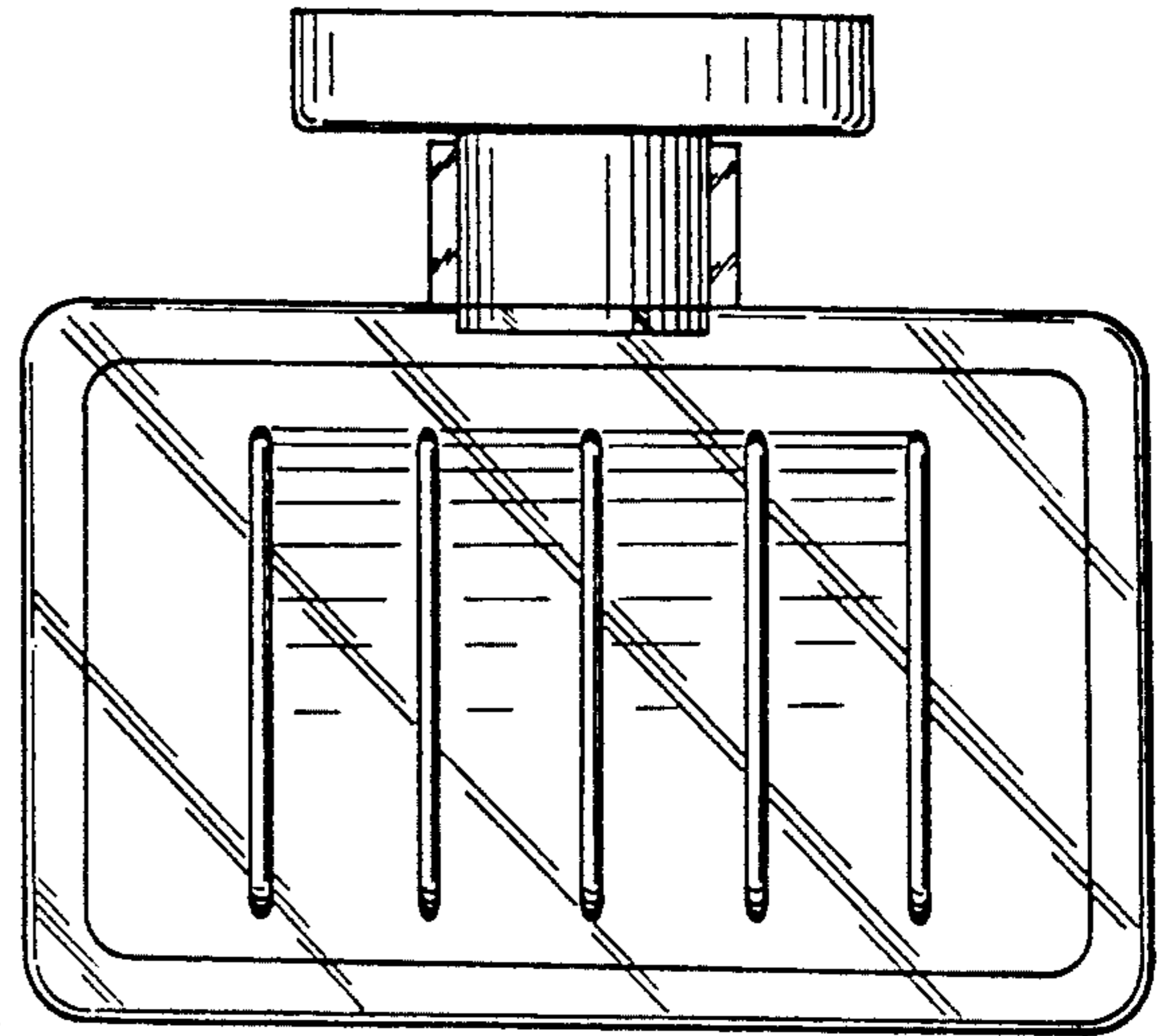
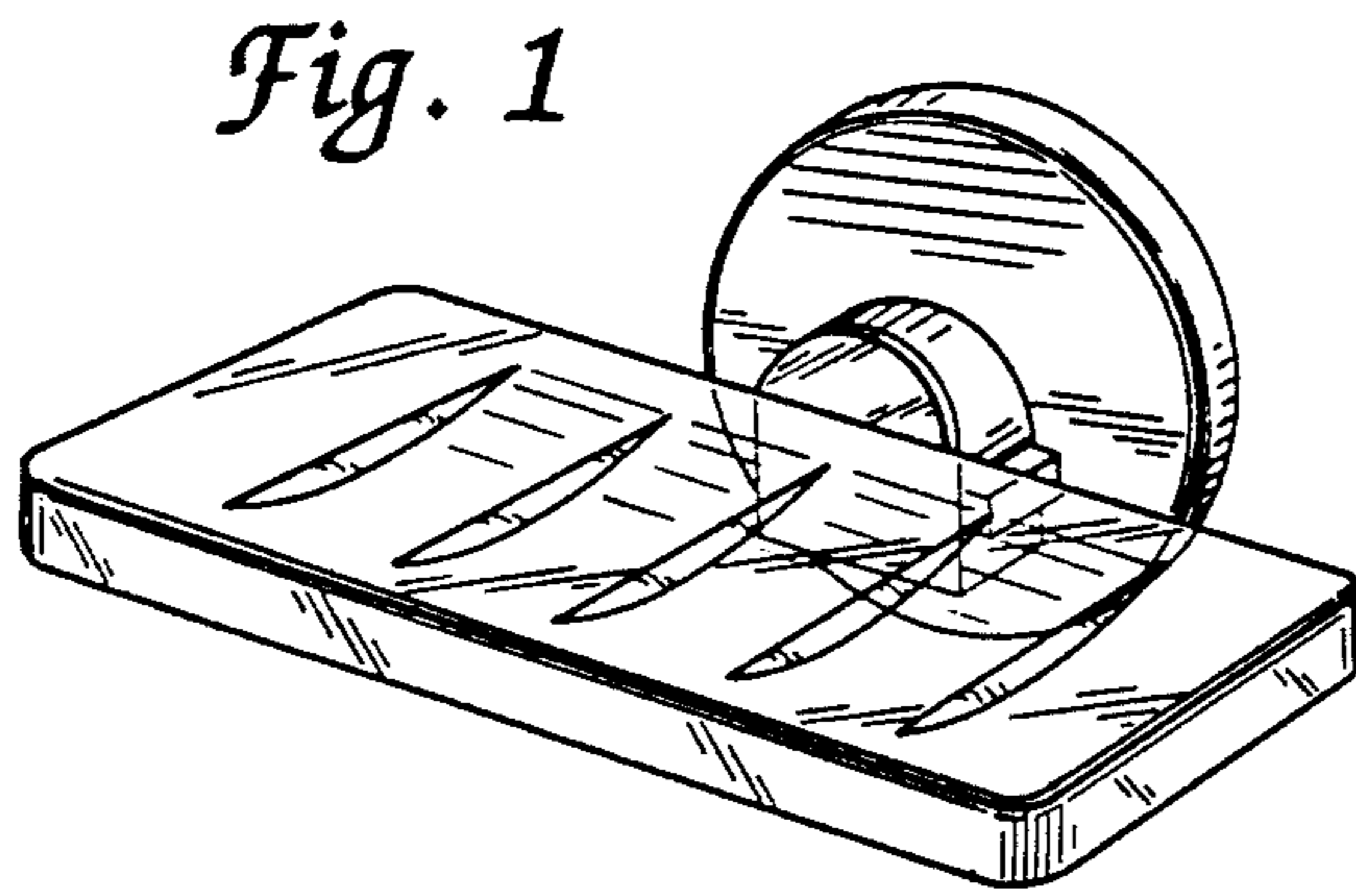


Fig. 5

