



US00D346926S

United States Patent [19]
Sullivan

[11] **Patent Number: Des. 346,926**
[45] **Date of Patent: ** May 17, 1994**

[54] **CUSHION**
[76] **Inventor: Carol A. Sullivan, 8745 Bay Pointe Dr., Tampa, Fla. 33615-4905**
[**] **Term: 14 Years**
[21] **Appl. No.: 7,601**
[22] **Filed: Apr. 26, 1993**
[52] **U.S. Cl. D6/601; D6/596**
[58] **Field of Search D6/595, 596, 601; 5/653, 654; 297/219.1**

Core Products Int'l Inc., 1991 or earlier.
Win-Tex Company, 1991 or earlier.

Primary Examiner—James M. Gandy
Assistant Examiner—Lisa Lichtenstein
Attorney, Agent, or Firm—Guy McClung

[57] **CLAIM**

The ornamental design for a cushion, as shown and described.

DESCRIPTION

FIG. 1 is a top view of a cushion according to the present invention;
FIG. 2 is a front view of the cushion of the FIG. 1;
FIG. 3 is a rear view of the cushion of FIG. 1;
FIG. 4 is a first side view of the cushion of FIG. 1;
FIG. 5 is a second side view of the cushion of FIG. 1, opposite the first side shown in FIG. 4;
FIG. 6 is a bottom view of the cushion of FIG. 1;
FIG. 7 is a top view of a cushion showing a second embodiment of my new design, the sole difference from the first embodiment resides in the presence of an opening; and,
FIG. 8 is a bottom view of the cushion of FIG. 7.

[56] **References Cited**
U.S. PATENT DOCUMENTS
D. 282,990 3/1986 Sims et al. D6/601
4,597,386 7/1986 Goldstein 5/644
FOREIGN PATENT DOCUMENTS
328577 4/1930 United Kingdom D6/601
OTHER PUBLICATIONS
GNP Orthopedic Design, "Surgical Roll", 1991 or earlier.

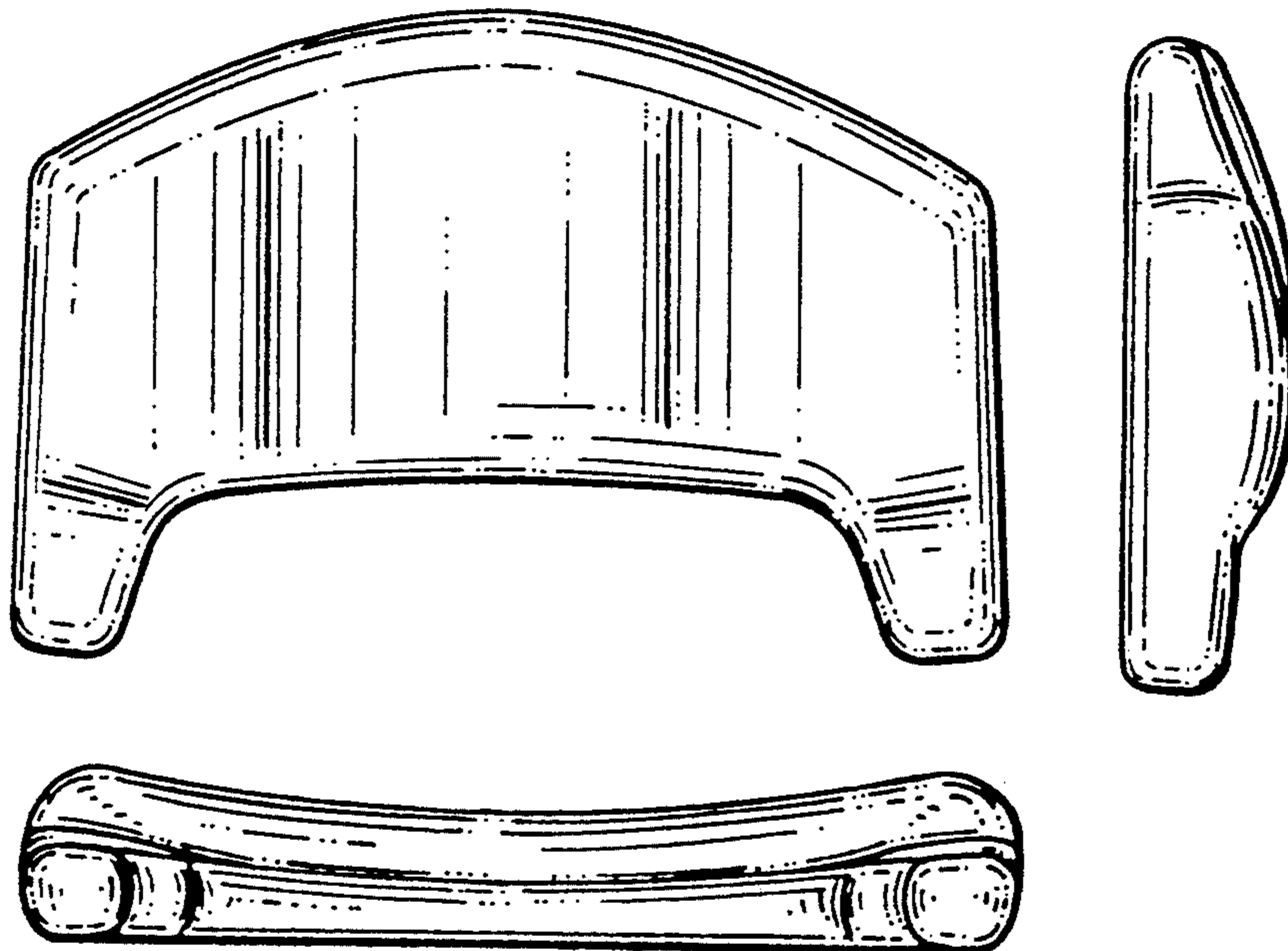


Fig. 3

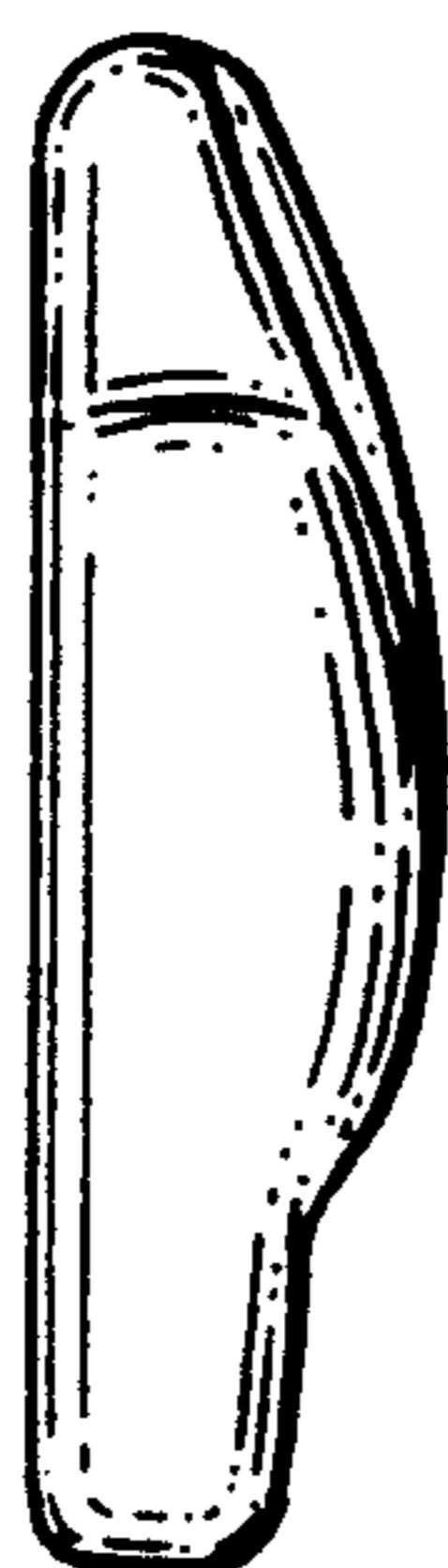
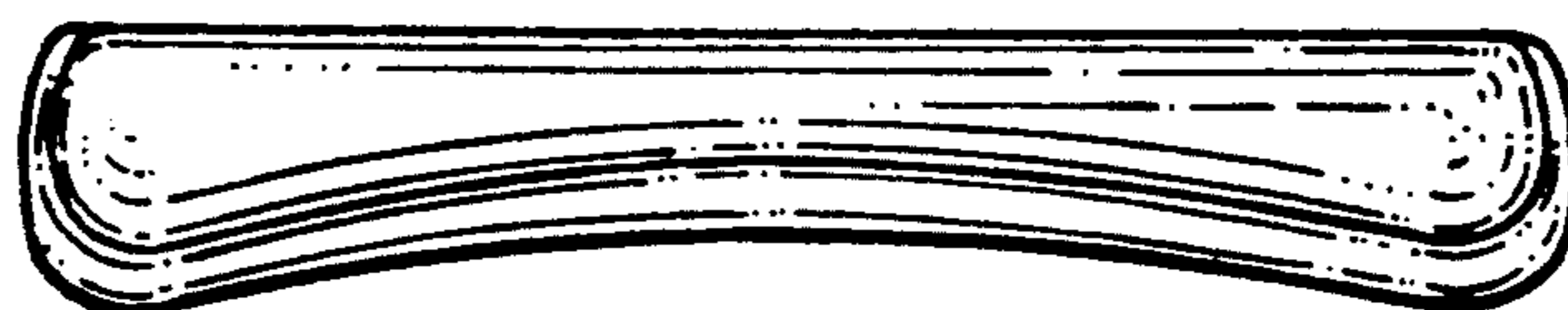


Fig. 5

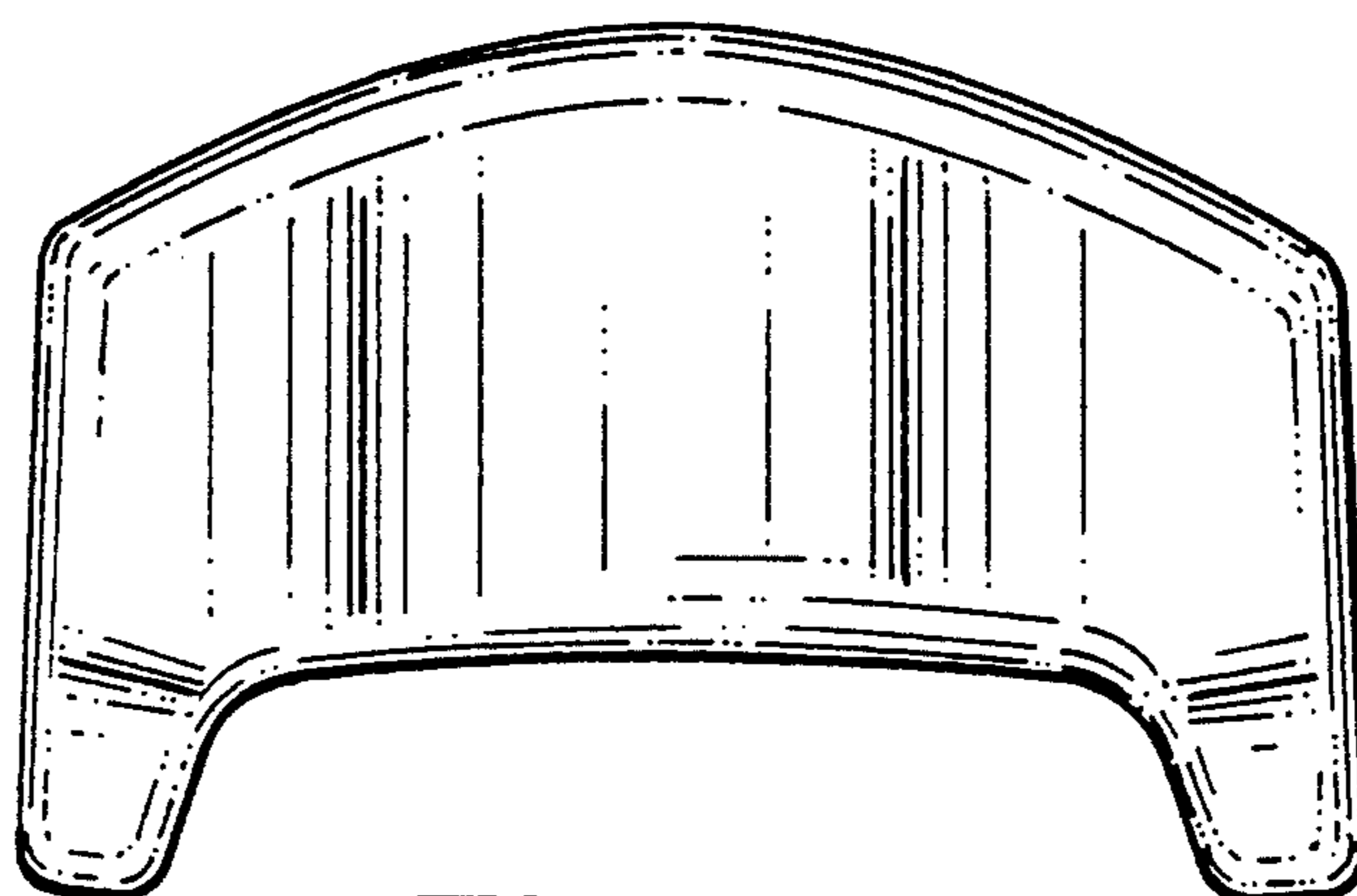


Fig. 1



Fig. 4

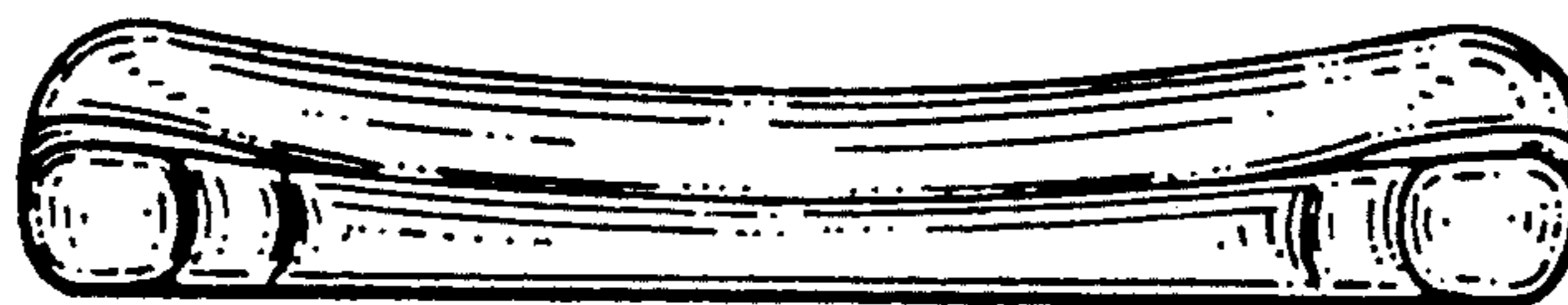


Fig. 2

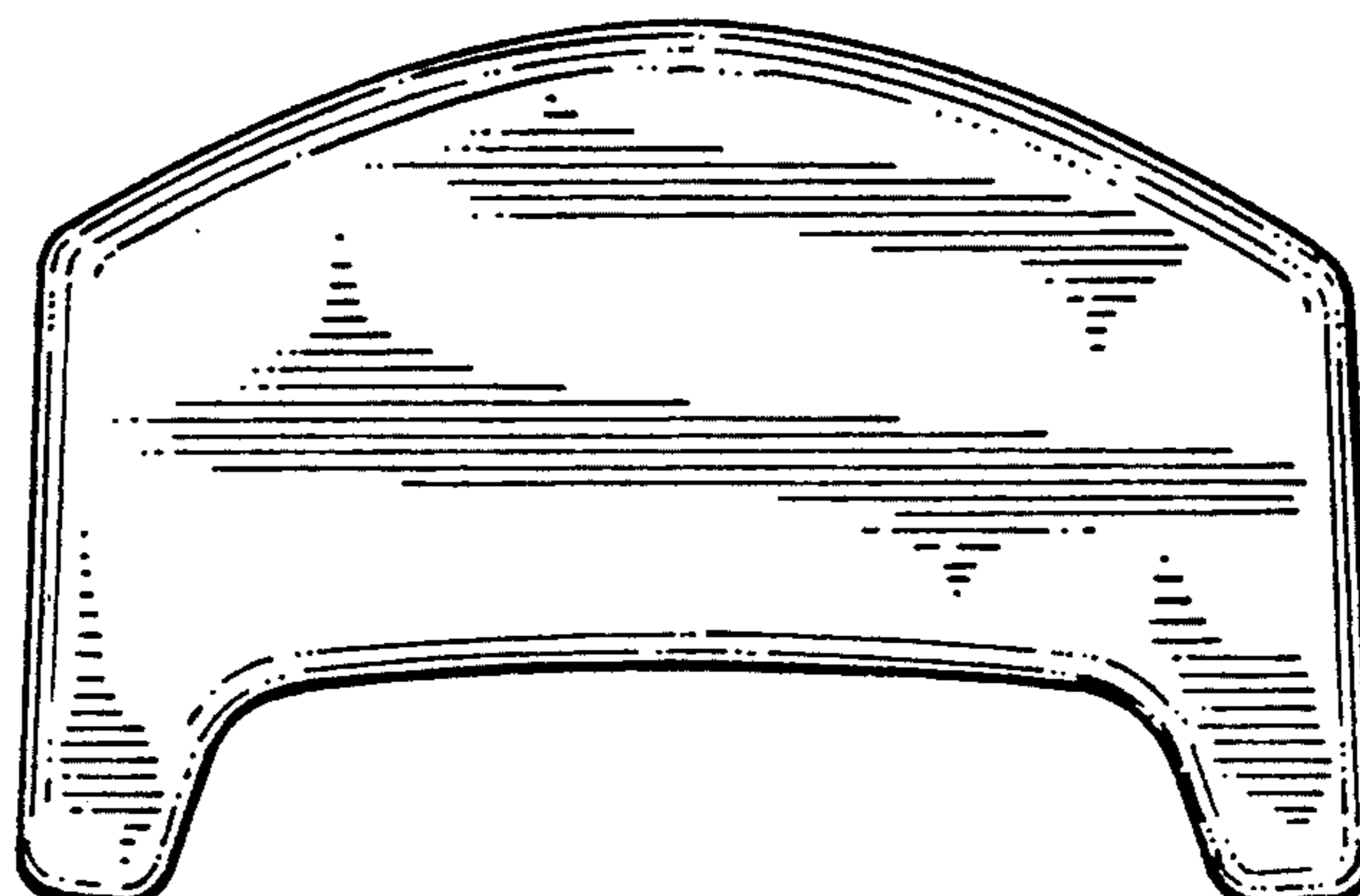


Fig. 6

Fig. 7

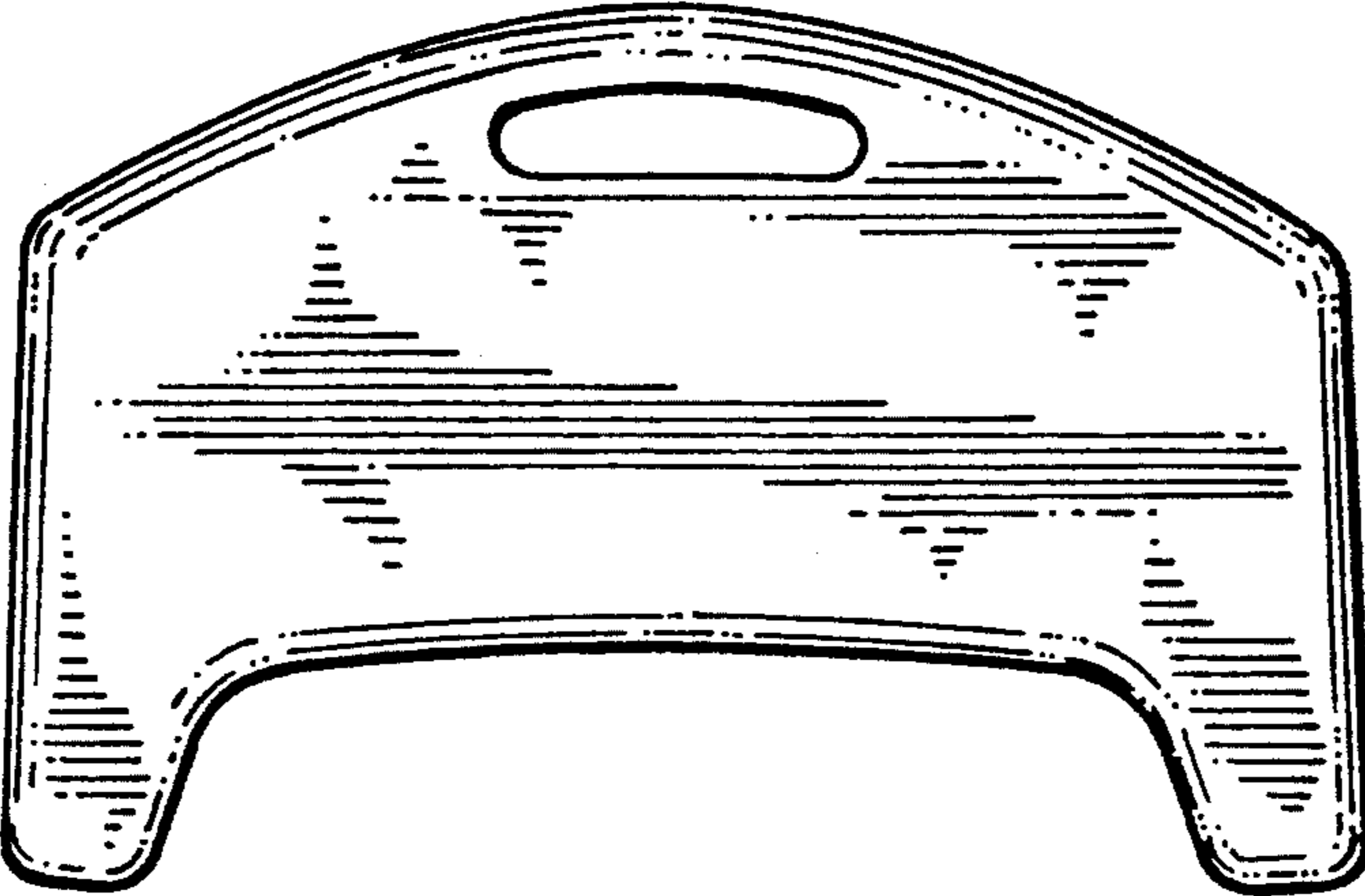
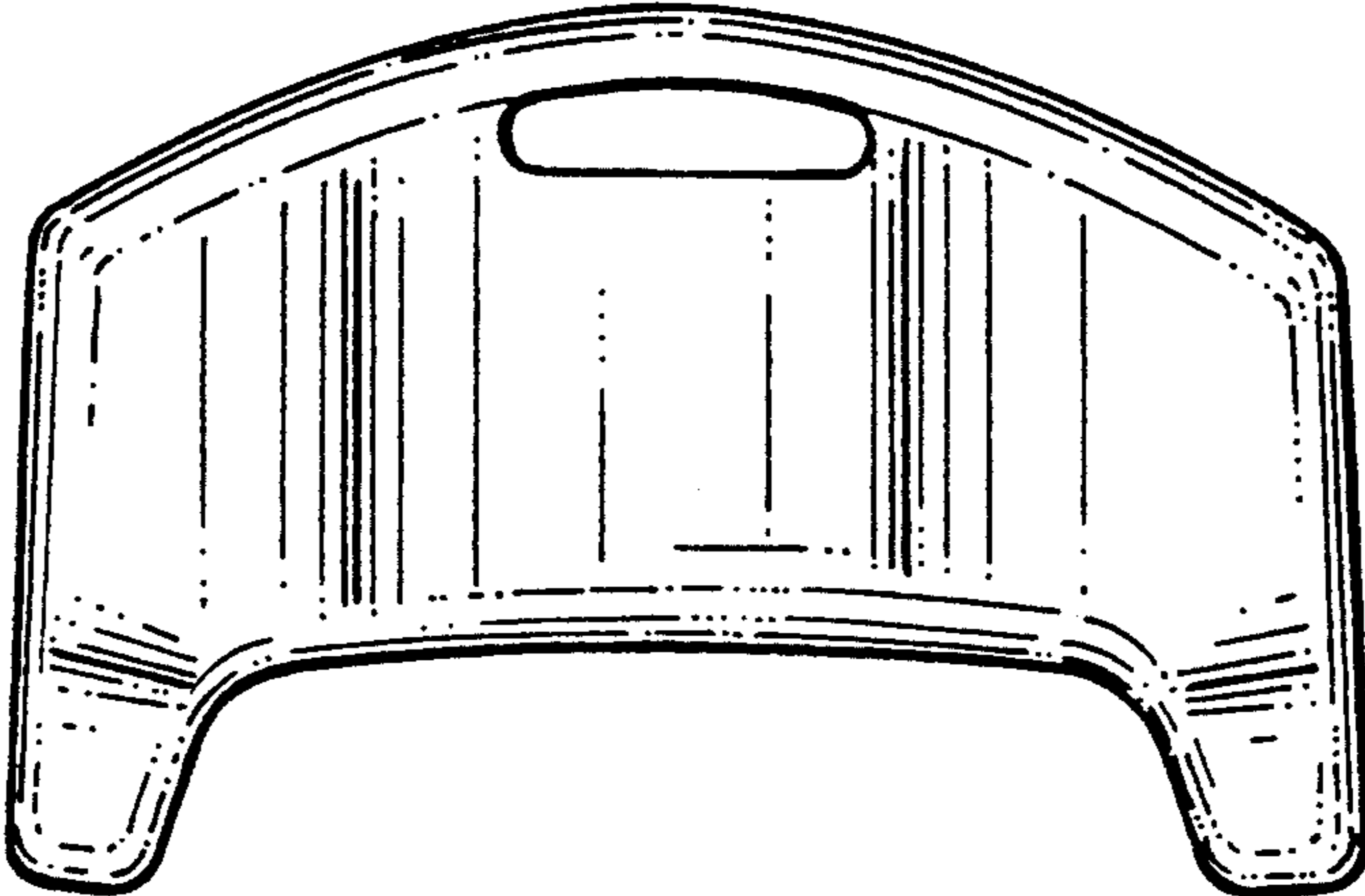


Fig. 8