



US00D346921S

United States Patent [19]
Stallsmith

[11] **Patent Number: Des. 346,921**

[45] **Date of Patent: ** May 17, 1994**

[54] **BAG HOLDER**

[76] **Inventor: Joseph C. Stallsmith, P.O. Box 20729, Indianapolis, Ind. 46220**

[**] **Term: 14 Years**

[21] **Appl. No.: 906,128**

[22] **Filed: Jun. 29, 1992**

[52] **U.S. Cl. D6/567**

[58] **Field of Search D6/512, 552-553, D6/567, 566; 211/181-182, 13, 71, 106; 248/95, 97, 99-100, 127, 146, 153; 312/211; D34/5-6**

[56] **References Cited**

U.S. PATENT DOCUMENTS

D. 297,795 9/1988 Bateman D6/566

D. 301,102 5/1989 Kloberg, Jr. D6/567
D. 327,599 7/1992 David D6/566
4,498,652 2/1985 Malik 248/99

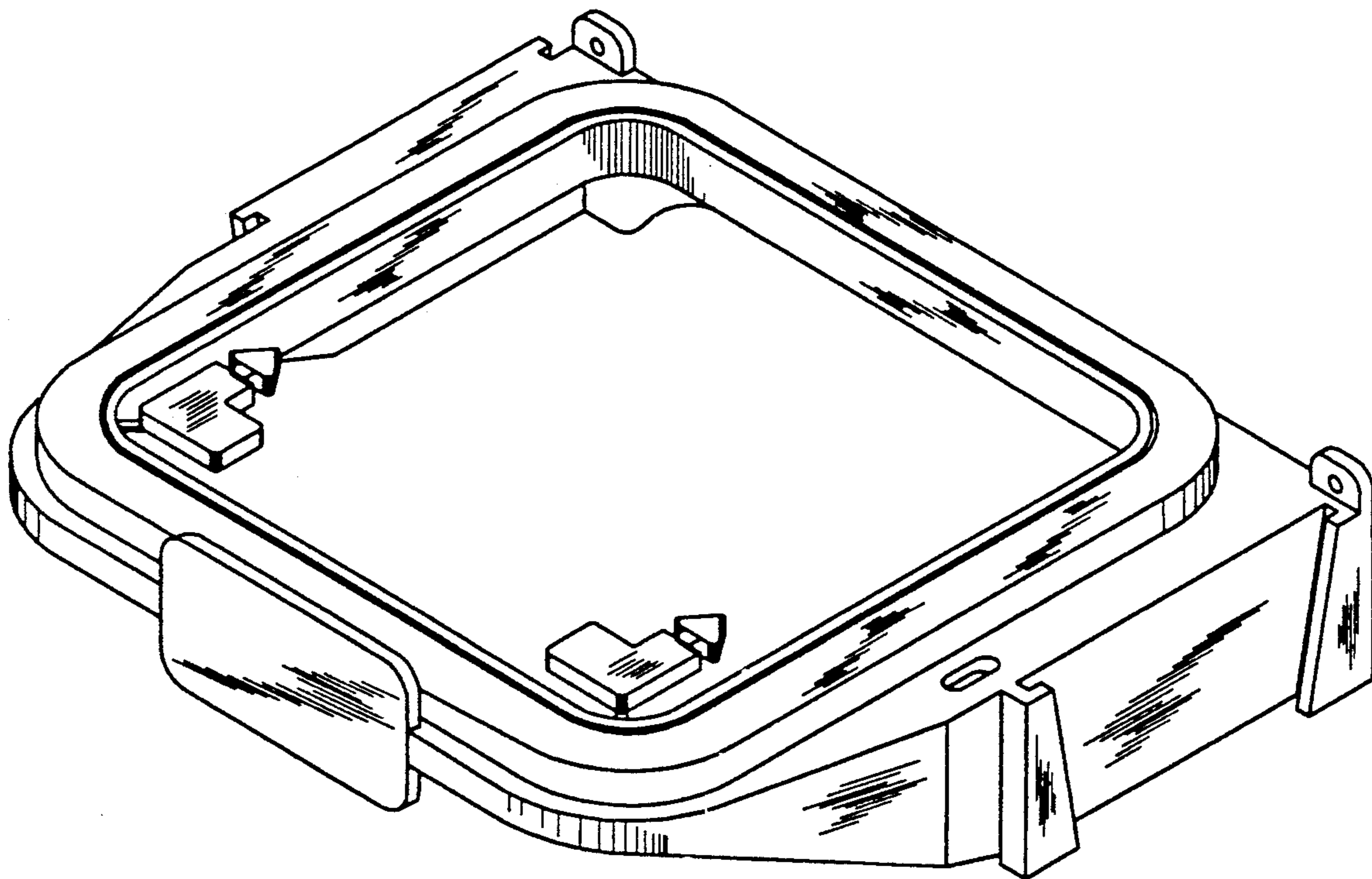
Primary Examiner—Brian N. Vinson

[57] **CLAIM**

The ornamental design for a bag holder, as shown.

DESCRIPTION

FIG. 1 is a front perspective view of a bag holder showing my new design;
FIG. 2 is a top plan view of the design;
FIG. 3 is a front elevation view of the design;
FIG. 4 is a left side elevation view of the design;
FIG. 5 is a bottom plan view of the design;
FIG. 6 is a rear elevation view of the design; and,
FIG. 7 is a right side elevation view of the design.



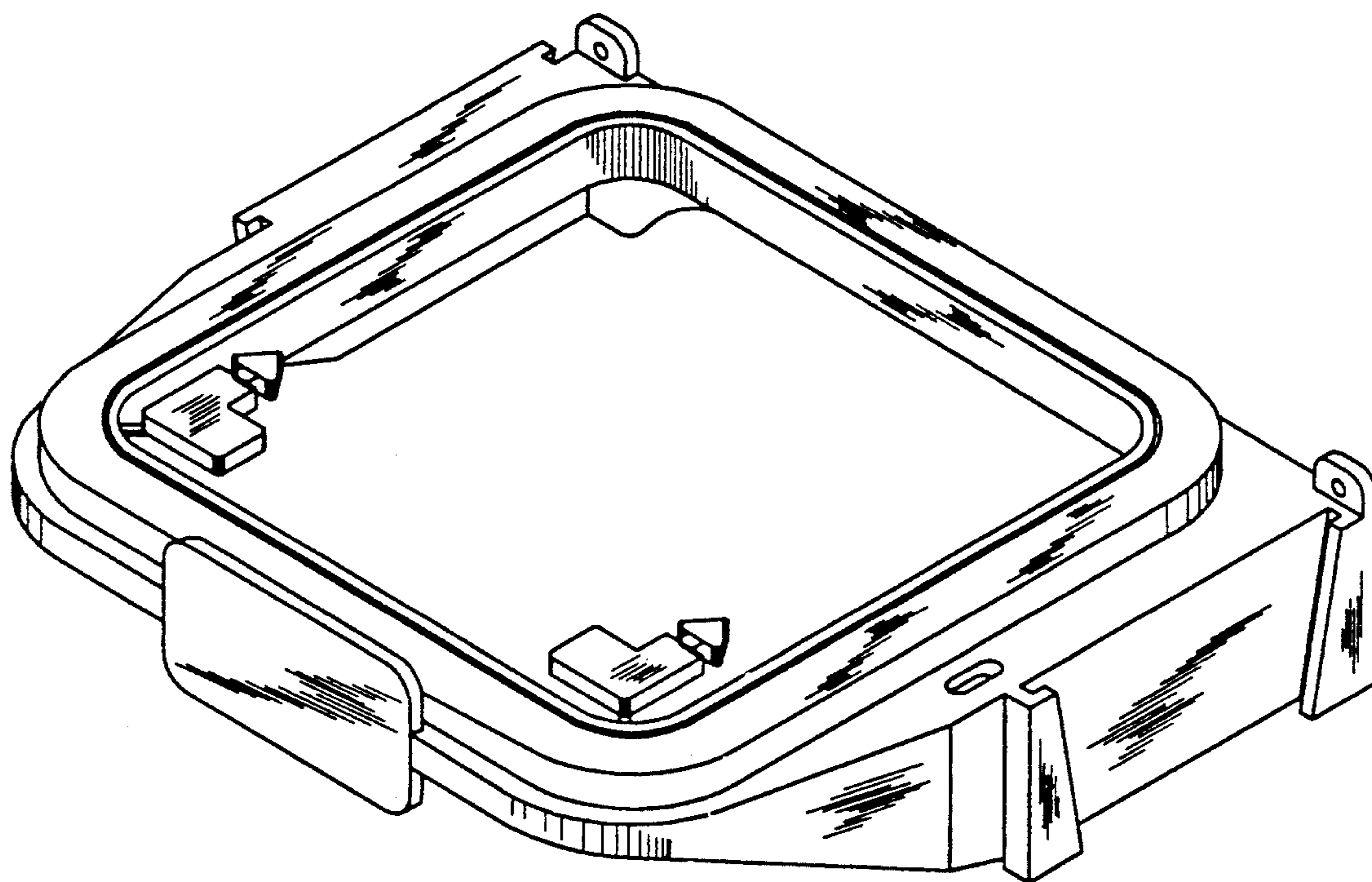


Fig. 1

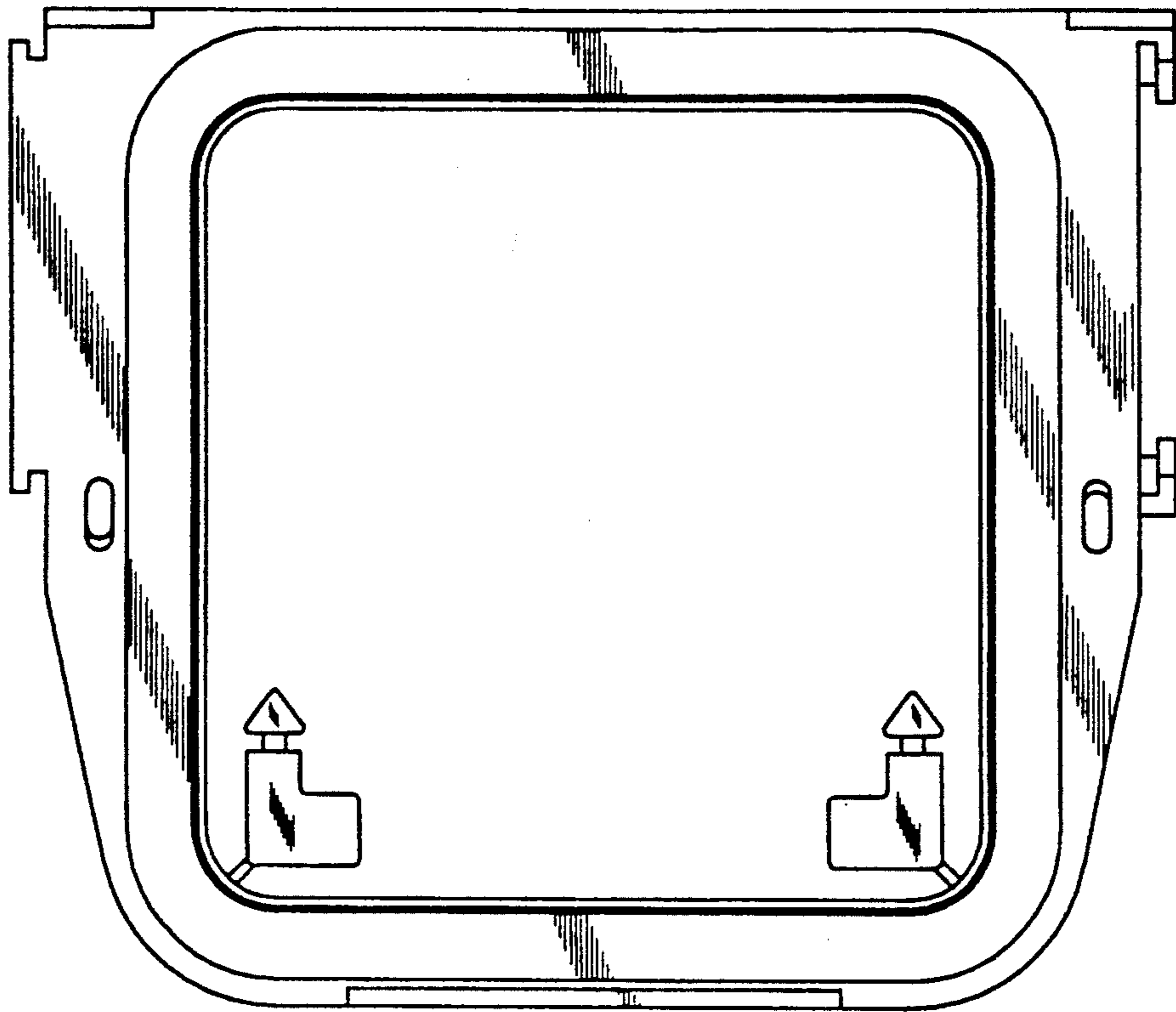


Fig. 2

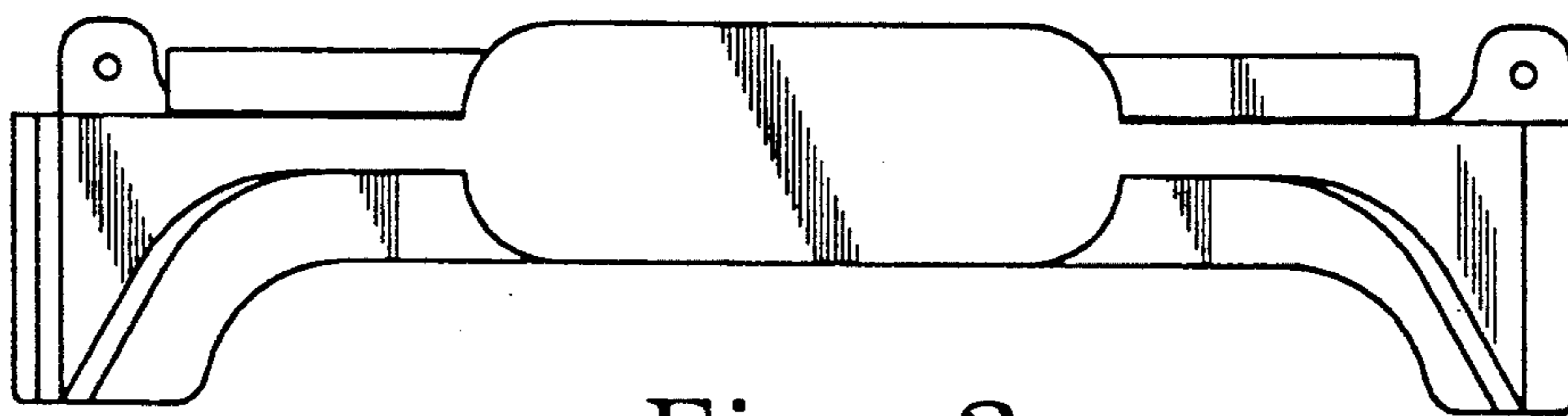


Fig. 3

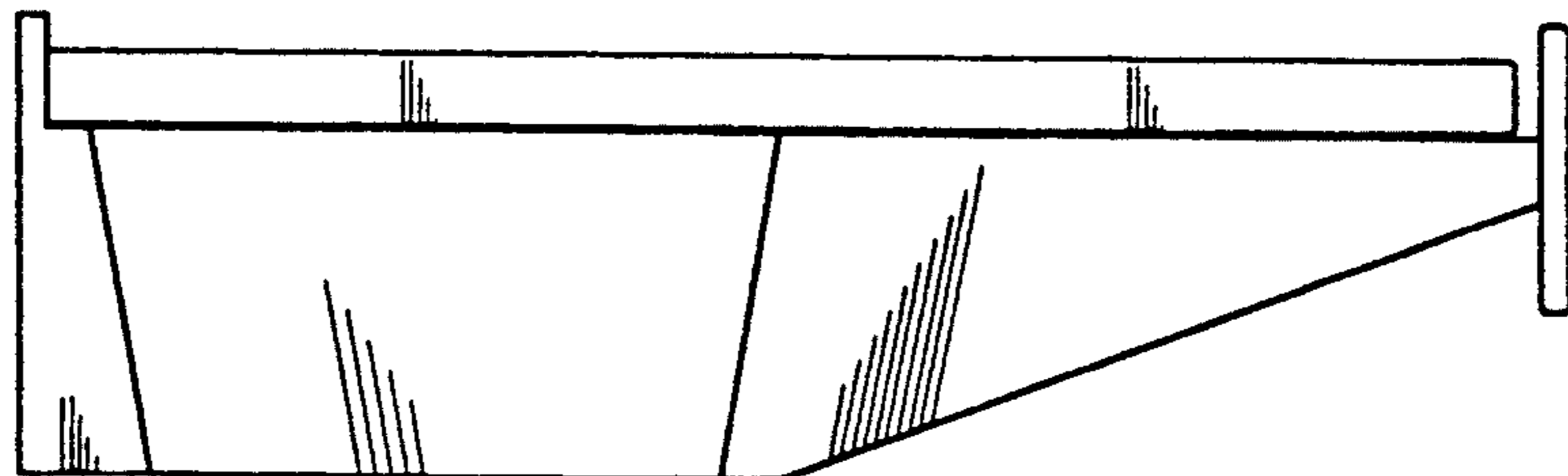


Fig. 4

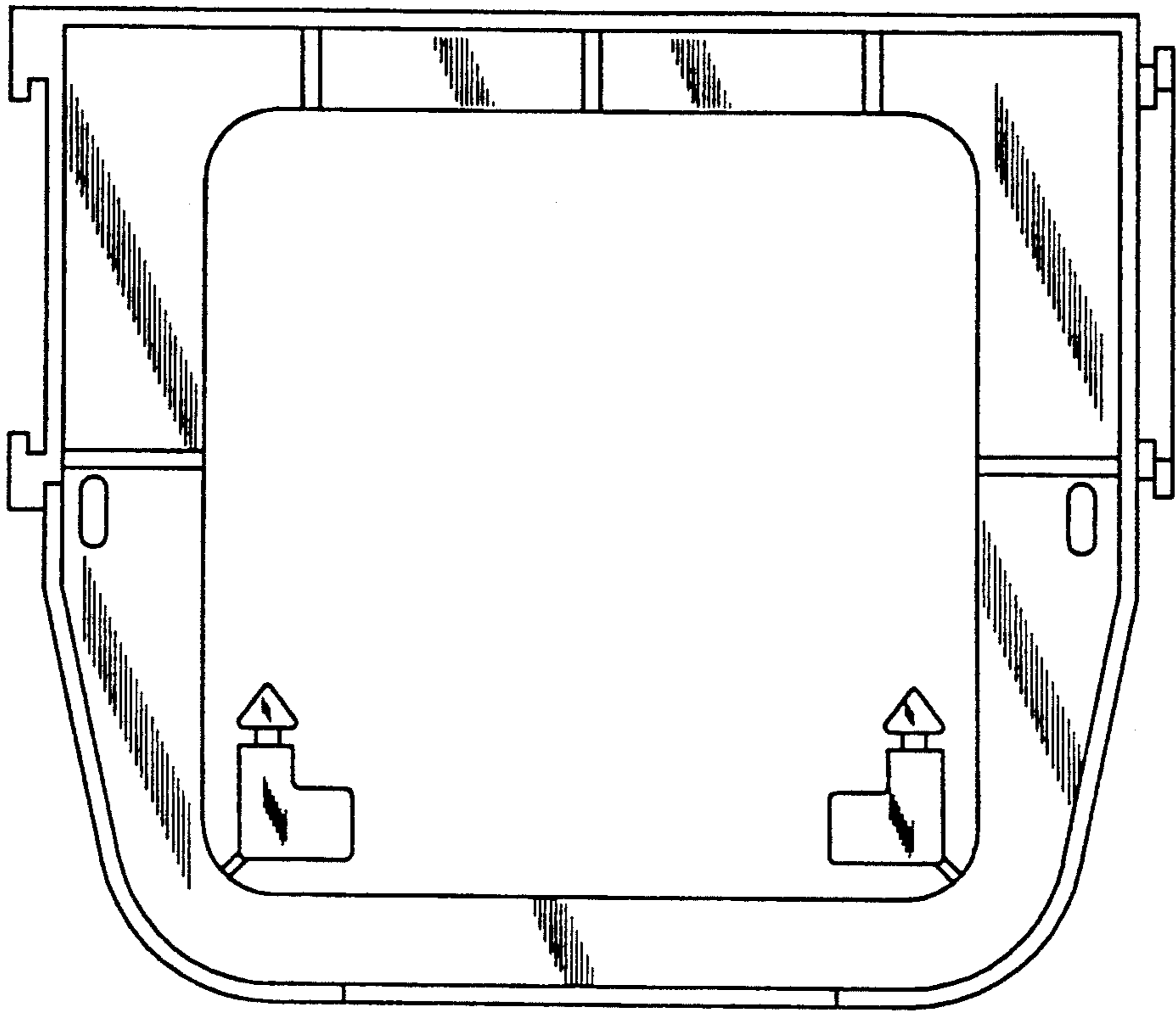


Fig. 5

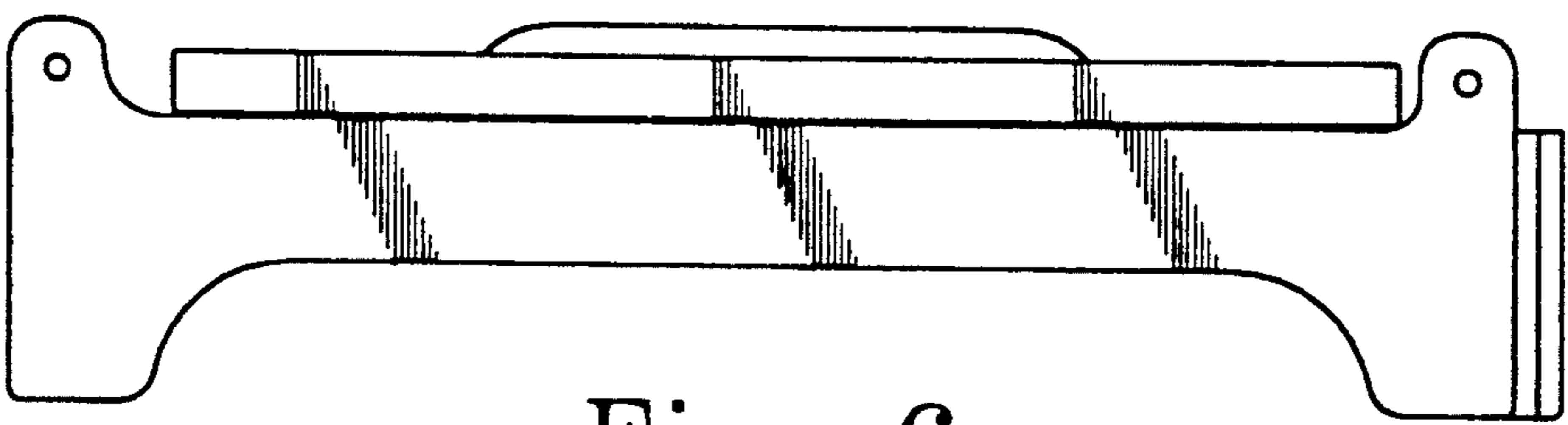


Fig. 6

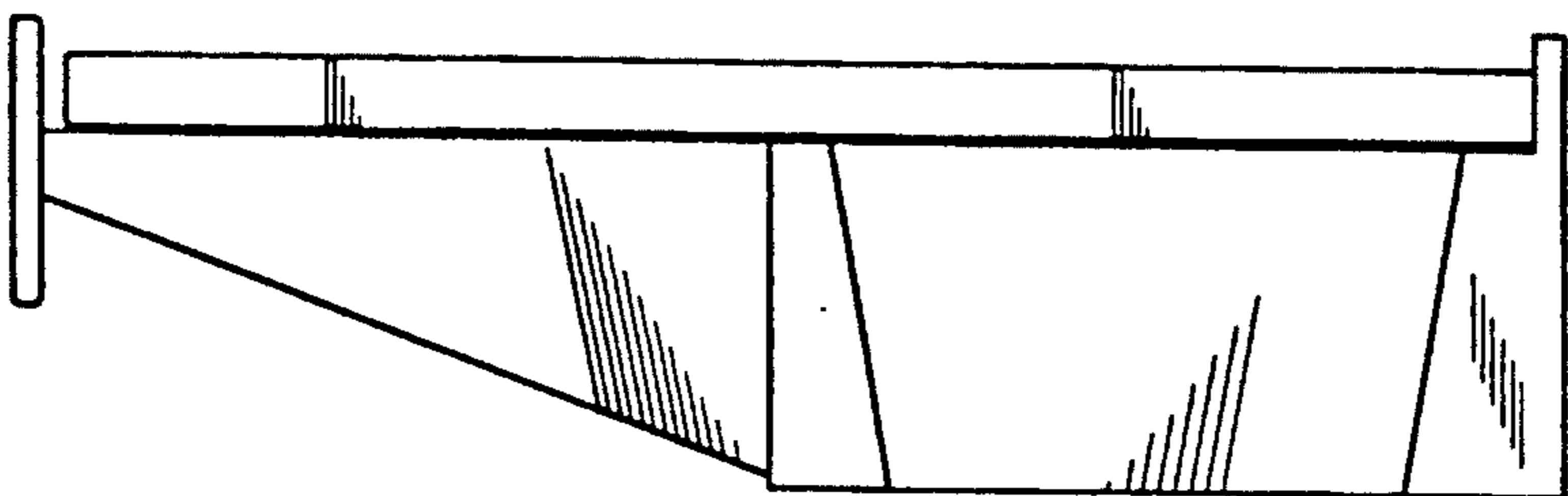


Fig. 7