



US00D346912S

United States Patent [19]
Mezger

[11] **Patent Number: Des. 346,912**
[45] **Date of Patent: ** May 17, 1994**

[54] **COMBINED TABLE AND STORAGE UNIT**

[75] **Inventor: Wolfgang R. Mezger, Eisingen, Fed. Rep. of Germany**

[73] **Assignee: Wilhelm Renz GmbH & Co., Fed. Rep. of Germany**

[**] **Term: 14 Years**

[21] **Appl. No.: 688,080**

[22] **Filed: Apr. 18, 1991**

[30] **Foreign Application Priority Data**

Oct. 20, 1990 [DE] Fed. Rep. of Germany M9007051.8

[52] **U.S. Cl. D6/423; D6/397; D6/427**

[58] **Field of Search D6/422-428, D6/421, 396, 397; 312/194-196**

[56] **References Cited**

U.S. PATENT DOCUMENTS

D. 168,525	12/1952	Thomas	D6/427 X
D. 191,209	8/1961	Palisek	D6/427 X
D. 246,273	11/1977	Kavis	D6/397
D. 269,928	8/1983	Schlichter	D6/427
D. 334,489	4/1993	Greutmann et al.	D6/423

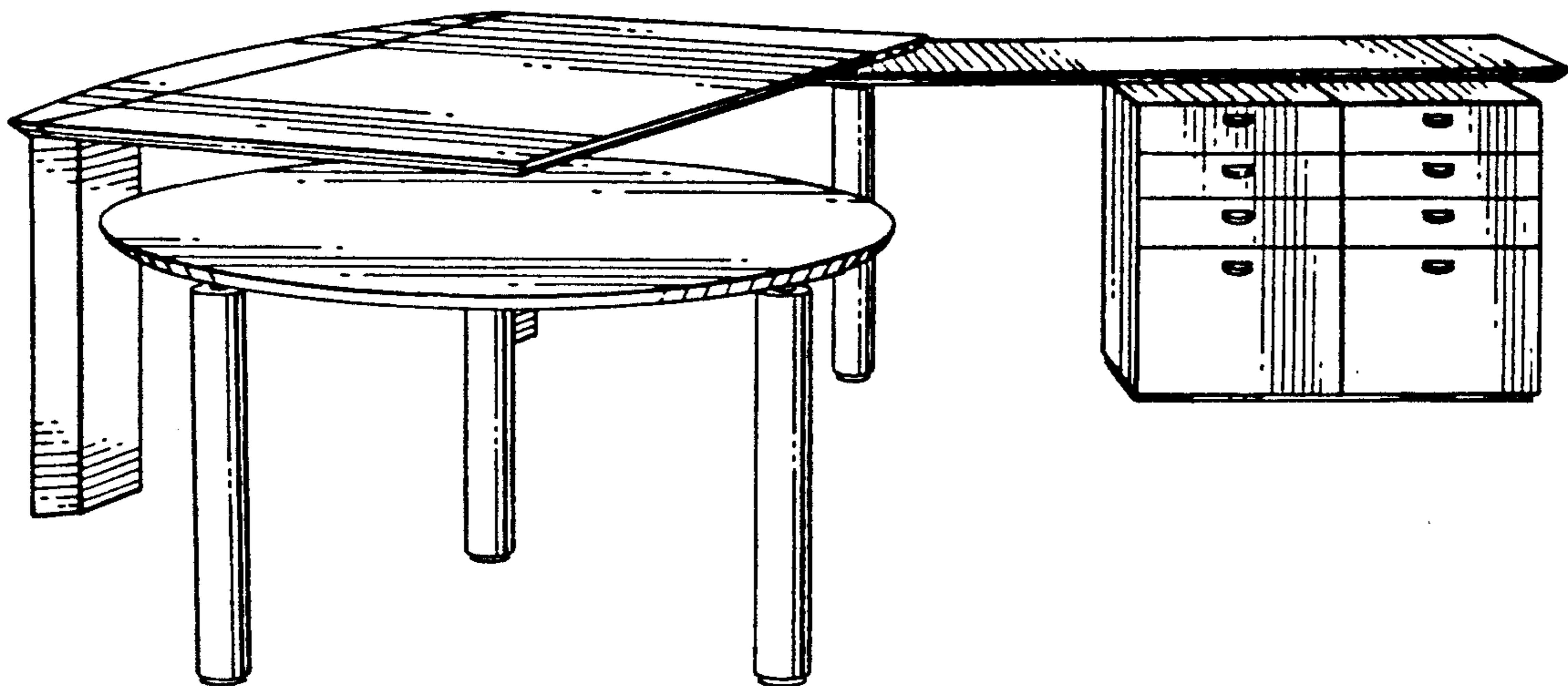
Primary Examiner—Carmen H. Vales-Lado
Attorney, Agent, or Firm—Walter A. Hackler

[57] **CLAIM**

The ornamental design for a combined table and storage unit, as shown and described.

DESCRIPTION

FIG. 1 is a perspective view of a combined table and storage unit showing my new design;
FIG. 2 is a top plan view thereof;
FIG. 3 is a left side elevational view thereof;
FIG. 4 is a rear elevational view thereof;
FIG. 5 is a right side elevational view thereof; and,
FIG. 6 is a bottom plan view thereof.



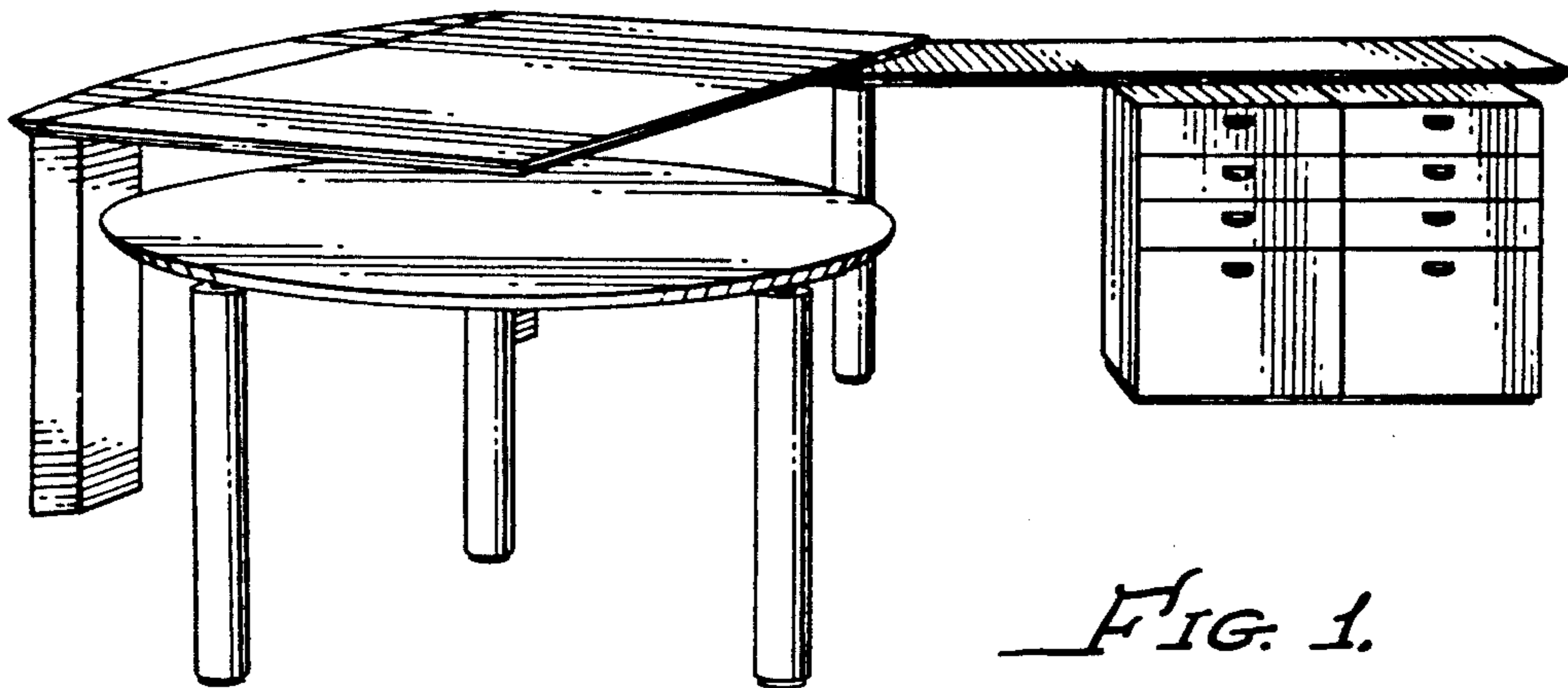


FIG. 1.

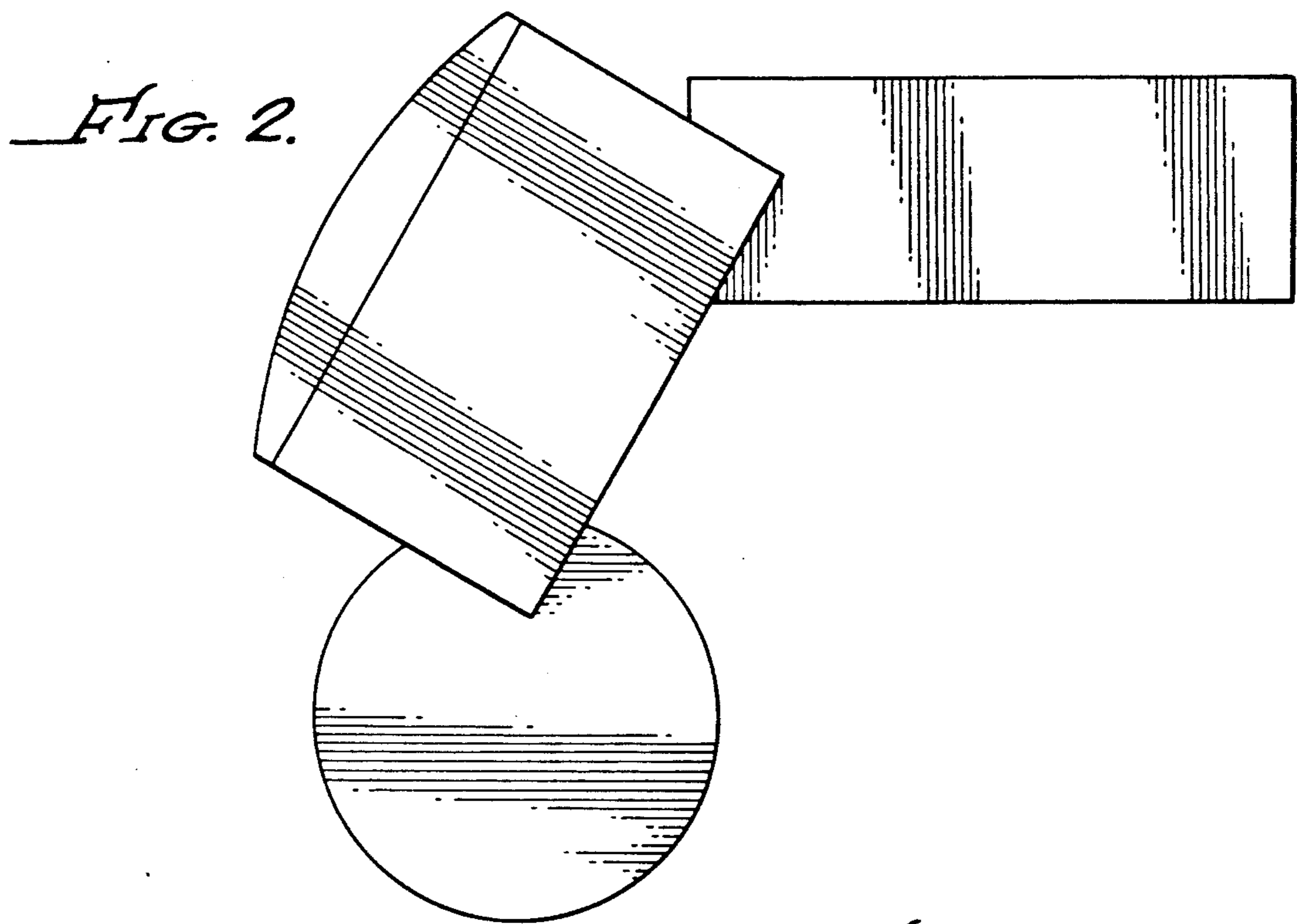


FIG. 2.

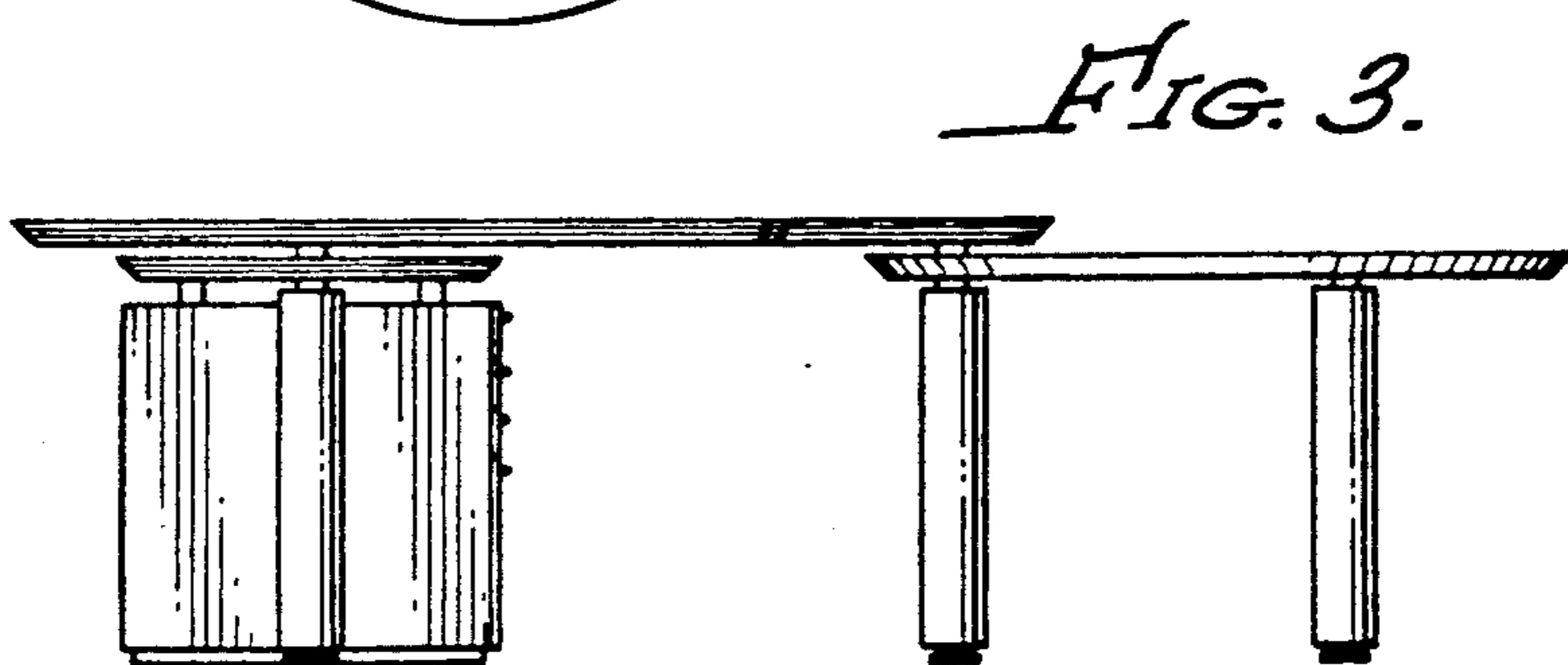


FIG. 3.

FIG. 4.

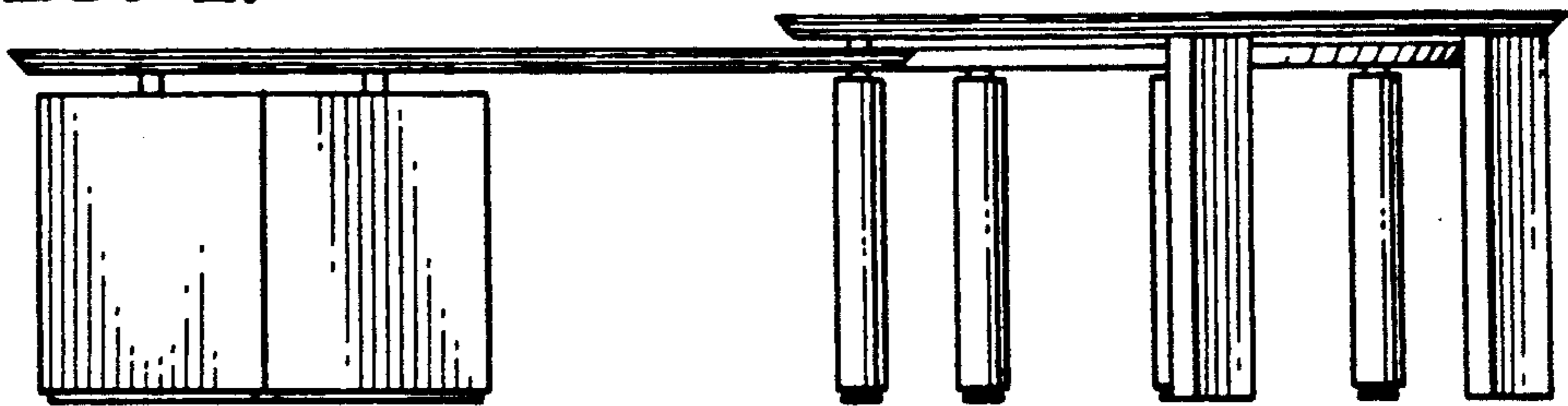


FIG. 5.

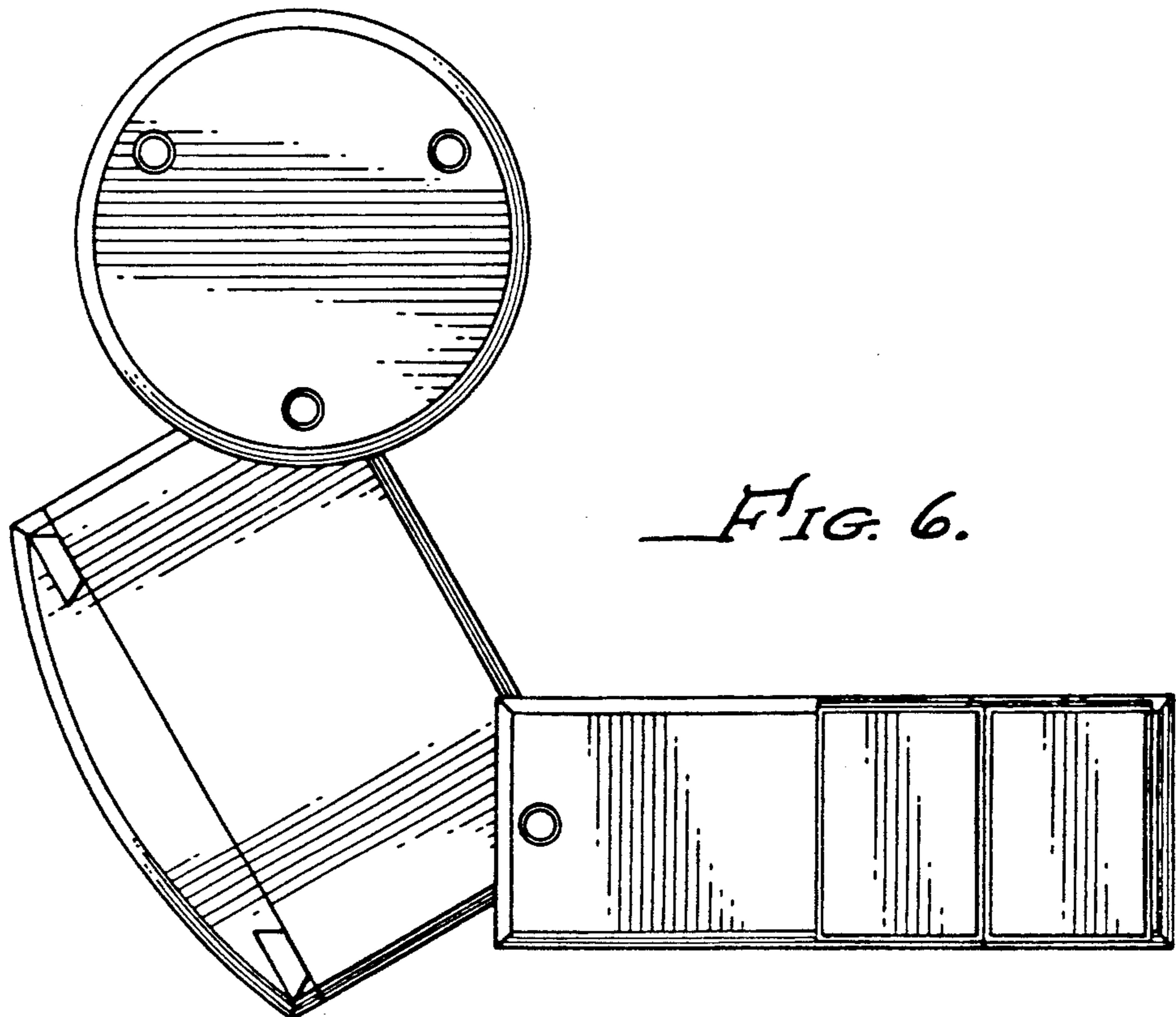
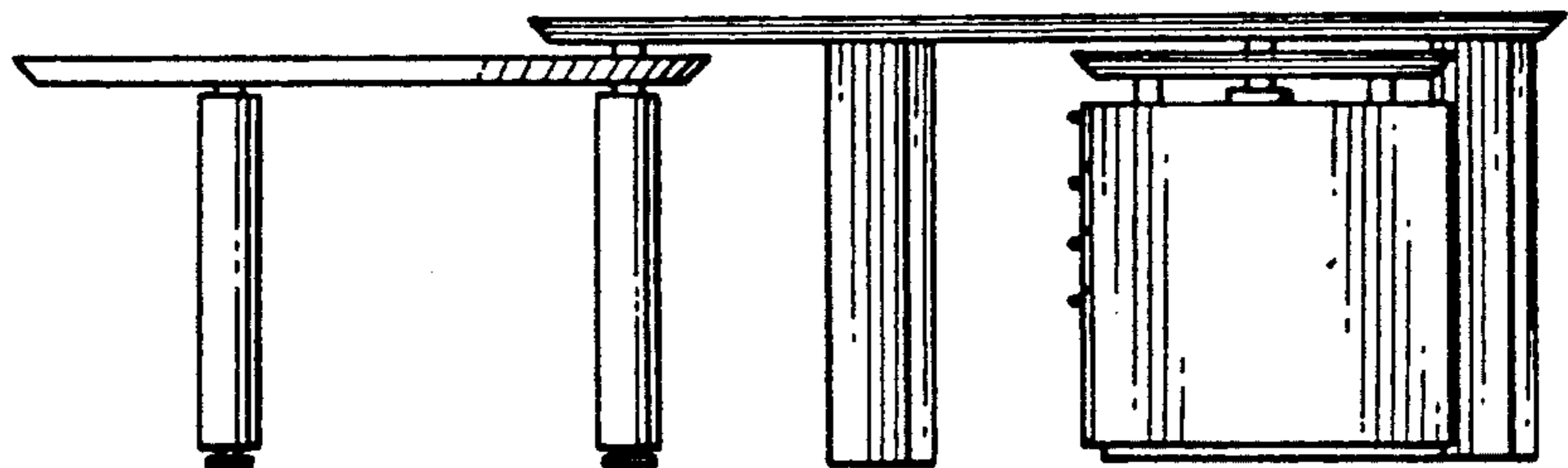


FIG. 6.