



US00D346907S

United States Patent [19]

[11] Patent Number: **Des. 346,907**

Howell

[45] Date of Patent: **** May 17, 1994**

[54] PICTURE FRAME

[76] Inventor: **David Howell, 333 Hook Rd.,
Katonah, N.Y. 10536**

[**] Term: **14 Years**

[21] Appl. No.: **939,878**

[22] Filed: **Sep. 8, 1992**

[52] U.S. Cl. **D6/310; D6/301;
D6/308**

[58] Field of Search **D6/300-303,
D6/308-314; 40/152, 152.1, 152.2, 153-156;
359/838, 850, 871, 872; 248/442.2, 445, 465.1,
466; D26/56**

[56] **References Cited**

U.S. PATENT DOCUMENTS

D. 112,744 12/1938 **Kratman** D6/300
D. 224,575 8/1972 **Ishikawa** D6/308

D. 231,239 4/1974 **Palumbo, Jr.** D6/302 X
D. 336,048 6/1993 **Nomura et al.** D6/301 X
950,912 3/1910 **Harrington** 40/152 X
4,378,391 3/1983 **Allen** 426/104 X
5,199,200 4/1993 **Howell** 40/152

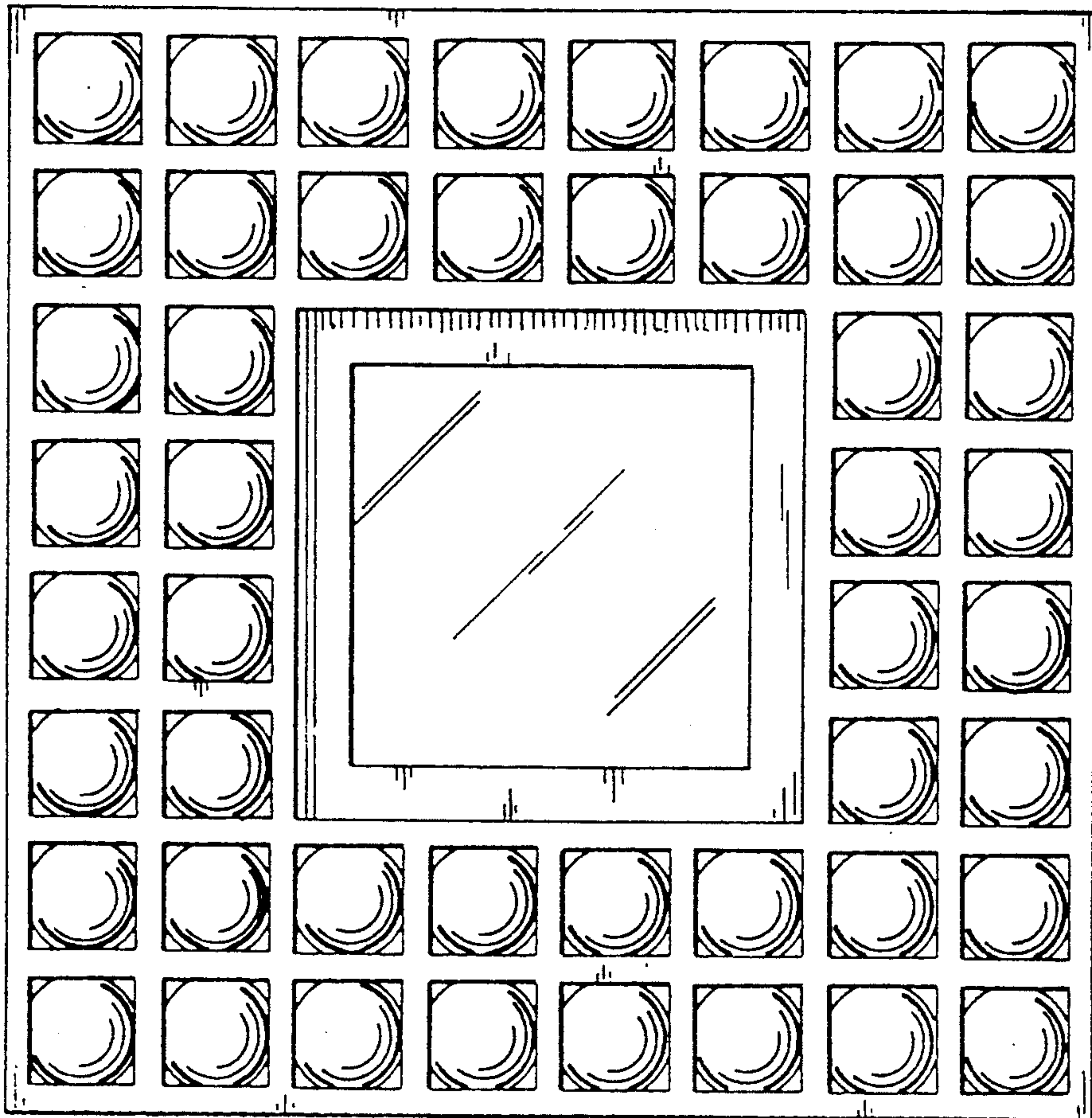
Primary Examiner—Nelson C. Holtje
Assistant Examiner—J. E. Seeger
Attorney, Agent, or Firm—Harris Beach & Wilcox

[57] CLAIM

The ornamental design for a picture frame, as shown and described.

DESCRIPTION

FIG. 1 is a front elevation of the picture frame, showing my new design;
FIG. 2 is a top view thereof;
FIG. 3 is a bottom view thereof;
FIG. 4 is a rear elevational view thereof; and,
FIG. 5 is a left side elevation thereof, the right side being a mirror image.



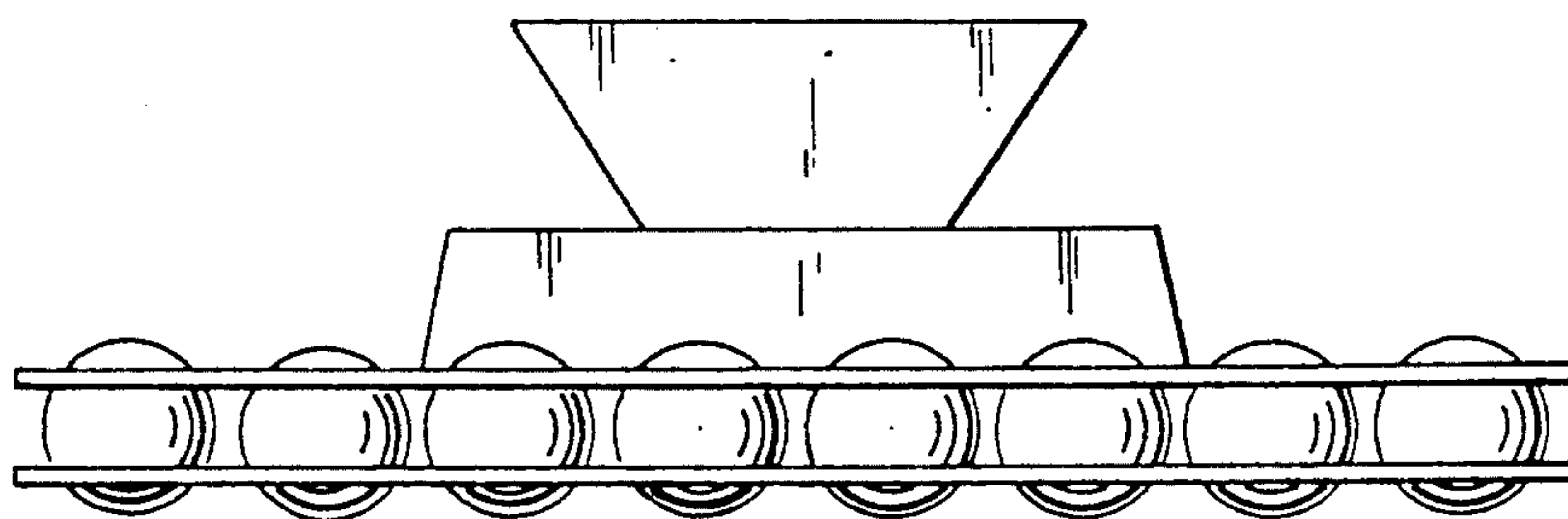


FIG. 2

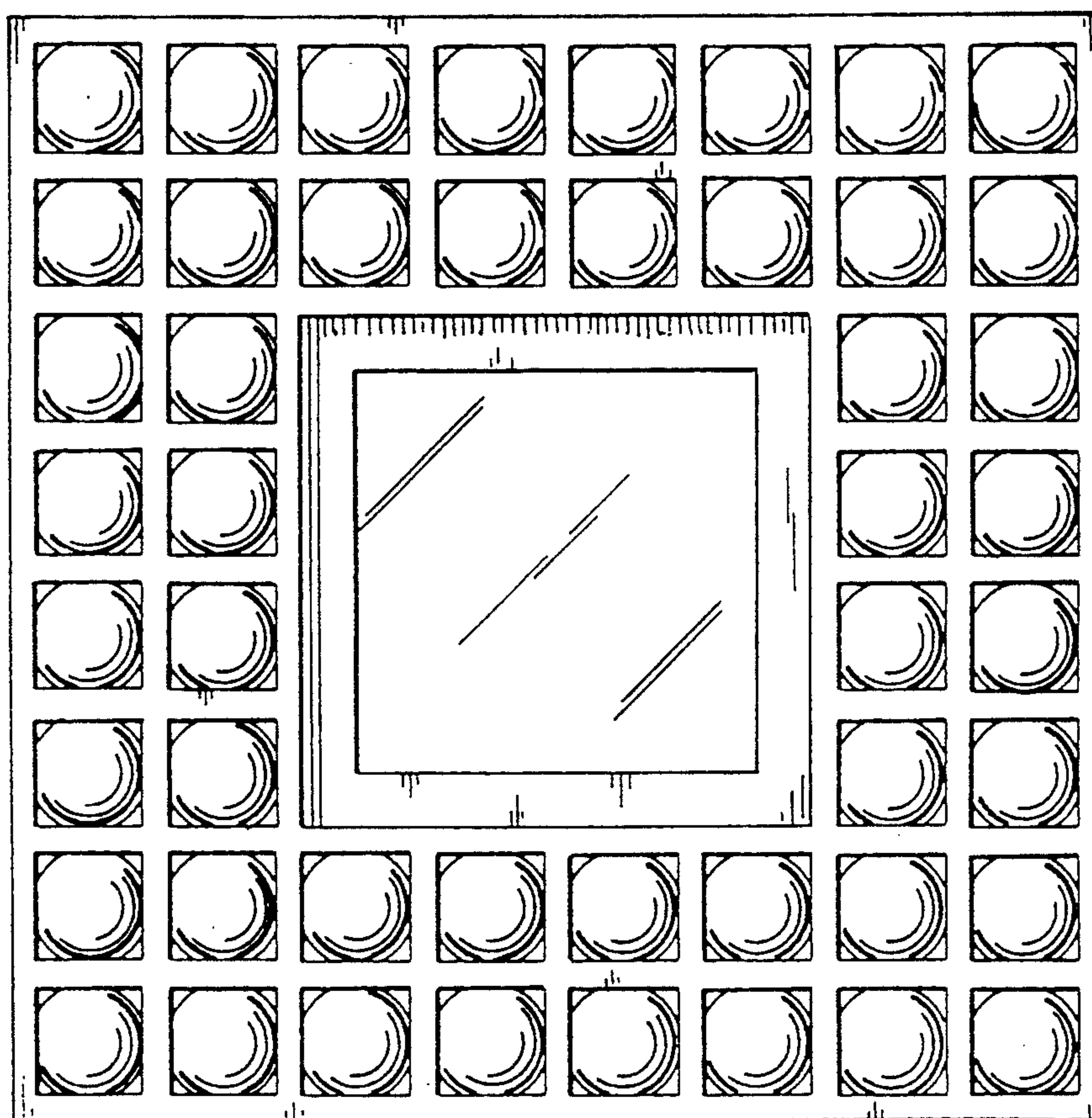


FIG. 1

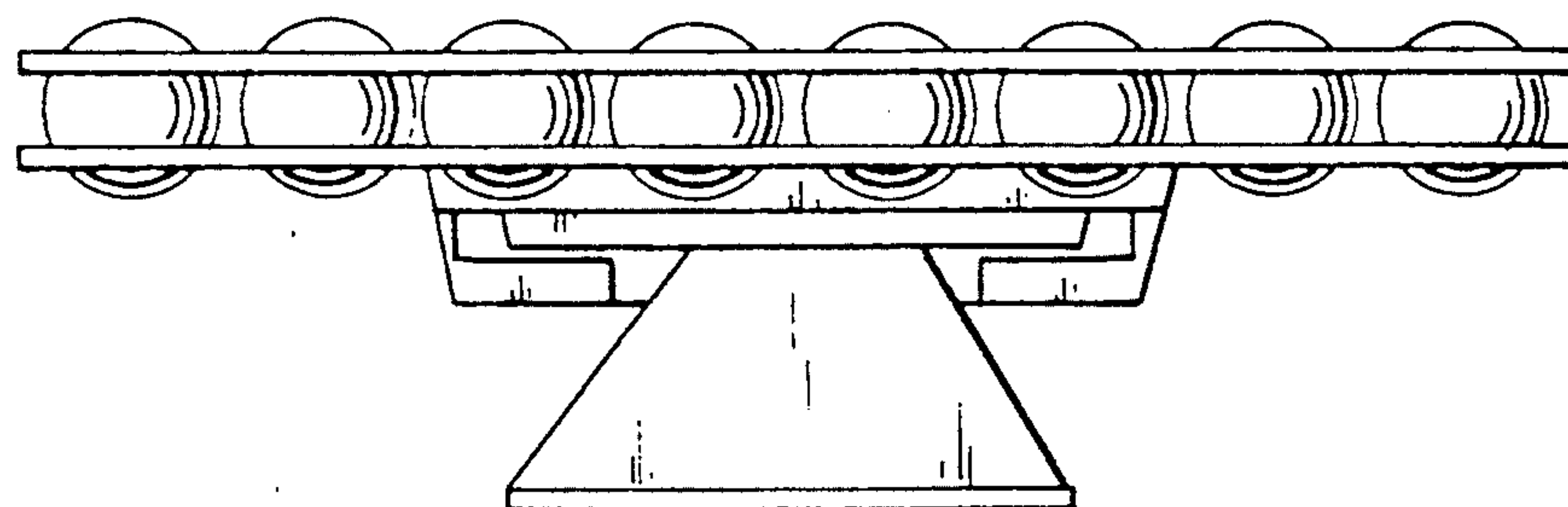


FIG. 3

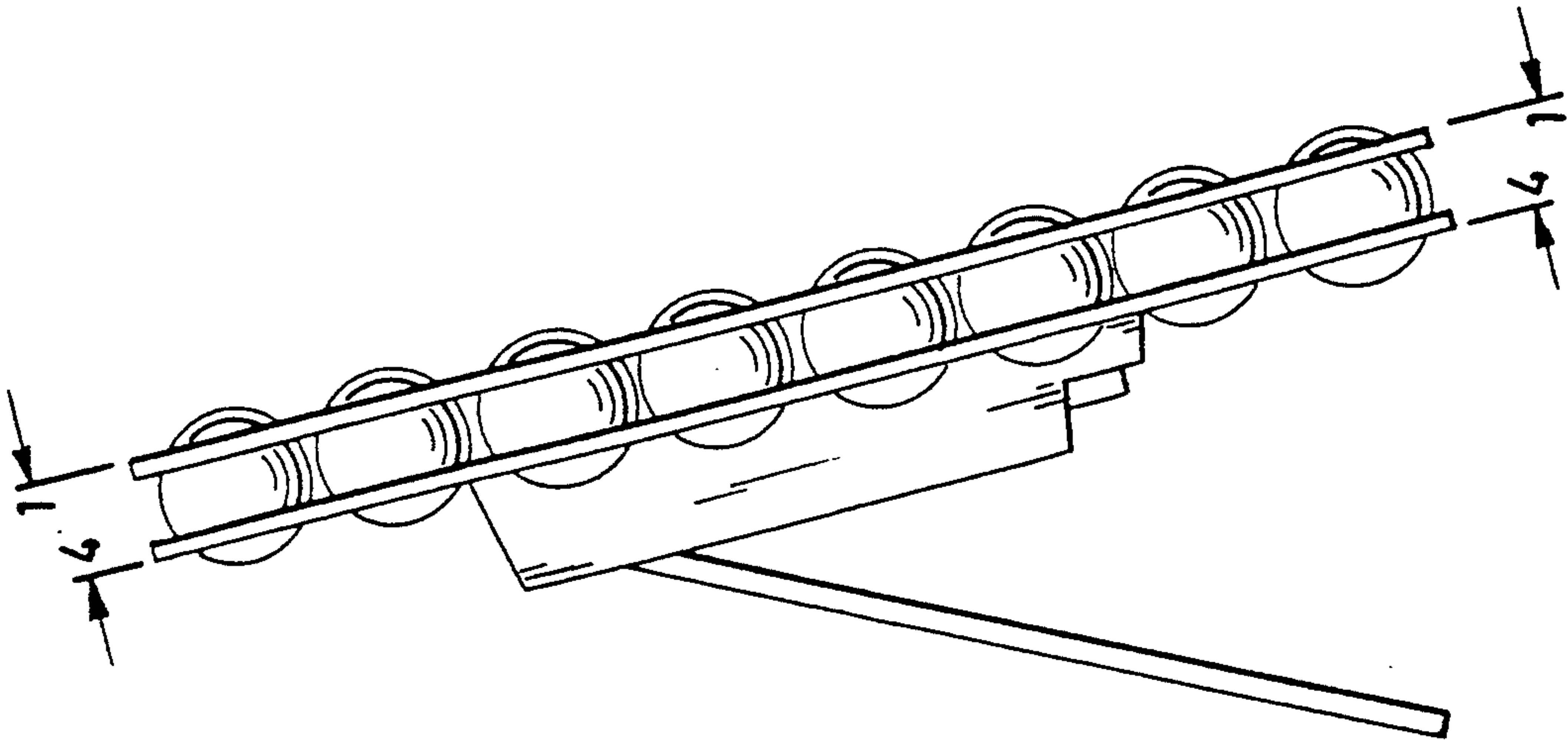


FIG. 5

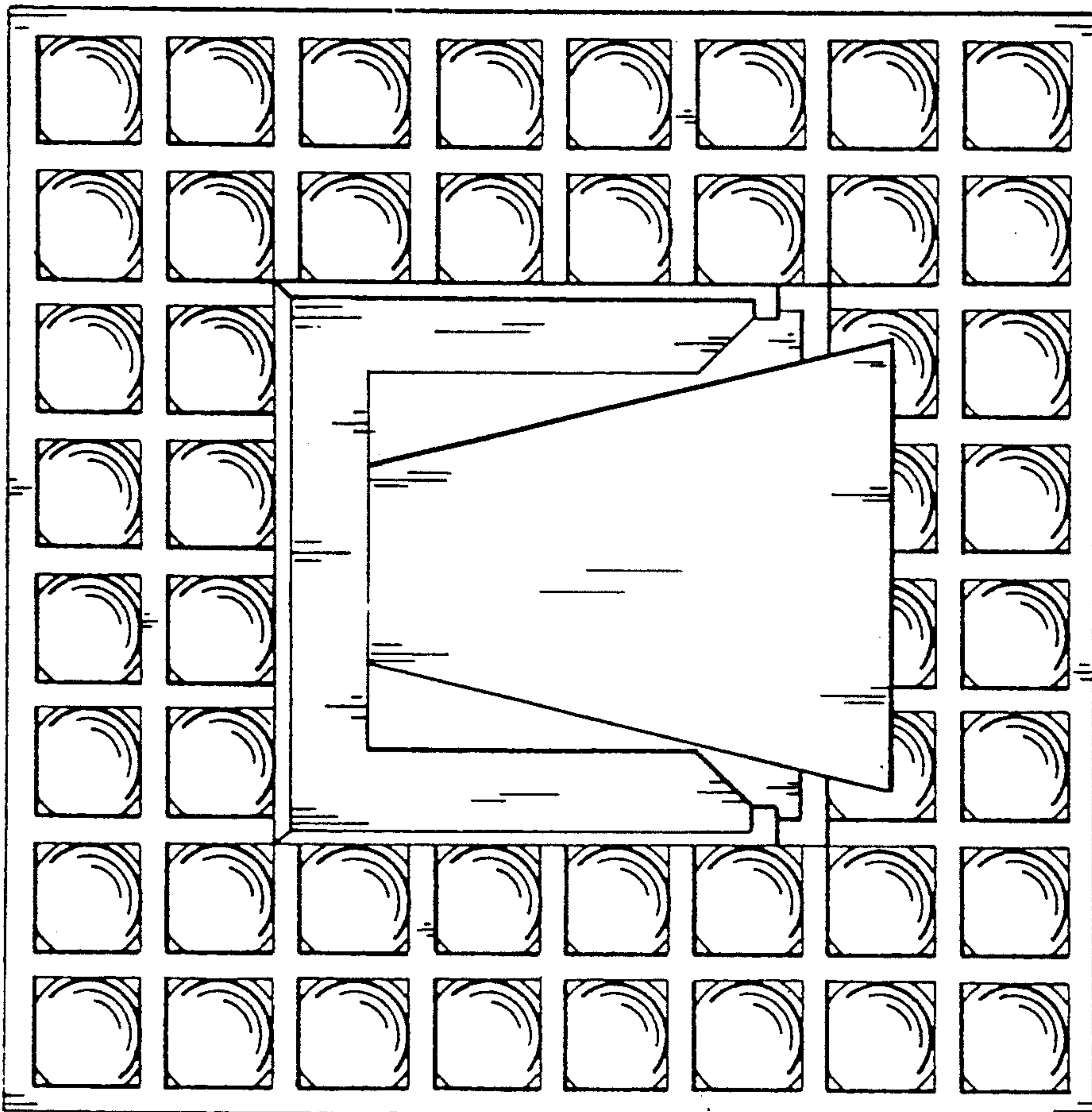


FIG. 4