



US00D346905S

United States Patent [19]

[11] Patent Number: Des. 346,905

Berti

[45] Date of Patent: ** May 17, 1994

[54] BROOM CAP

[75] Inventor: Enzo Berti, Venice, Italy

[73] Assignee: The Libman Company, Arcola, Ill.

[**] Term: 14 Years

[21] Appl. No.: 836,464

[22] Filed: Feb. 14, 1992

[52] U.S. Cl. D4/199

[58] Field of Search D4/132, 135, 138, 199;
15/146, 159.1, 168, 171, 175

[56] **References Cited**

U.S. PATENT DOCUMENTS

107,559	9/1870	Strong .	
D. 315,250	3/1991	Lapin	D4/199
D. 315,451	3/1991	Lapin	D4/199
4,157,598	6/1979	Talent et al.	15/145
4,385,411	5/1983	Clark	15/160
5,010,616	4/1991	Berti	15/159.1

Primary Examiner—Wallace R. Burke
Assistant Examiner—Lavone D. Tabor
Attorney, Agent, or Firm—Marshall, O'Toole, Gerstein, Murray & Borun

[57] **CLAIM**

The ornamental design for a broom cap, as shown and described.

DESCRIPTION

FIG. 1 is a top, front and left side perspective view of a broom cap showing my new design;
FIG. 2 is a left side elevational view thereof with the right side being a mirror image thereof;
FIG. 3 is a front elevational view thereof;
FIG. 4 is a rear elevational view thereof;
FIG. 5 is a top plan view thereof; and,
FIG. 6 is a bottom view thereof.
The bristles shown in broken lines in the drawings are for illustrative purposes only and form no part of the claimed design.

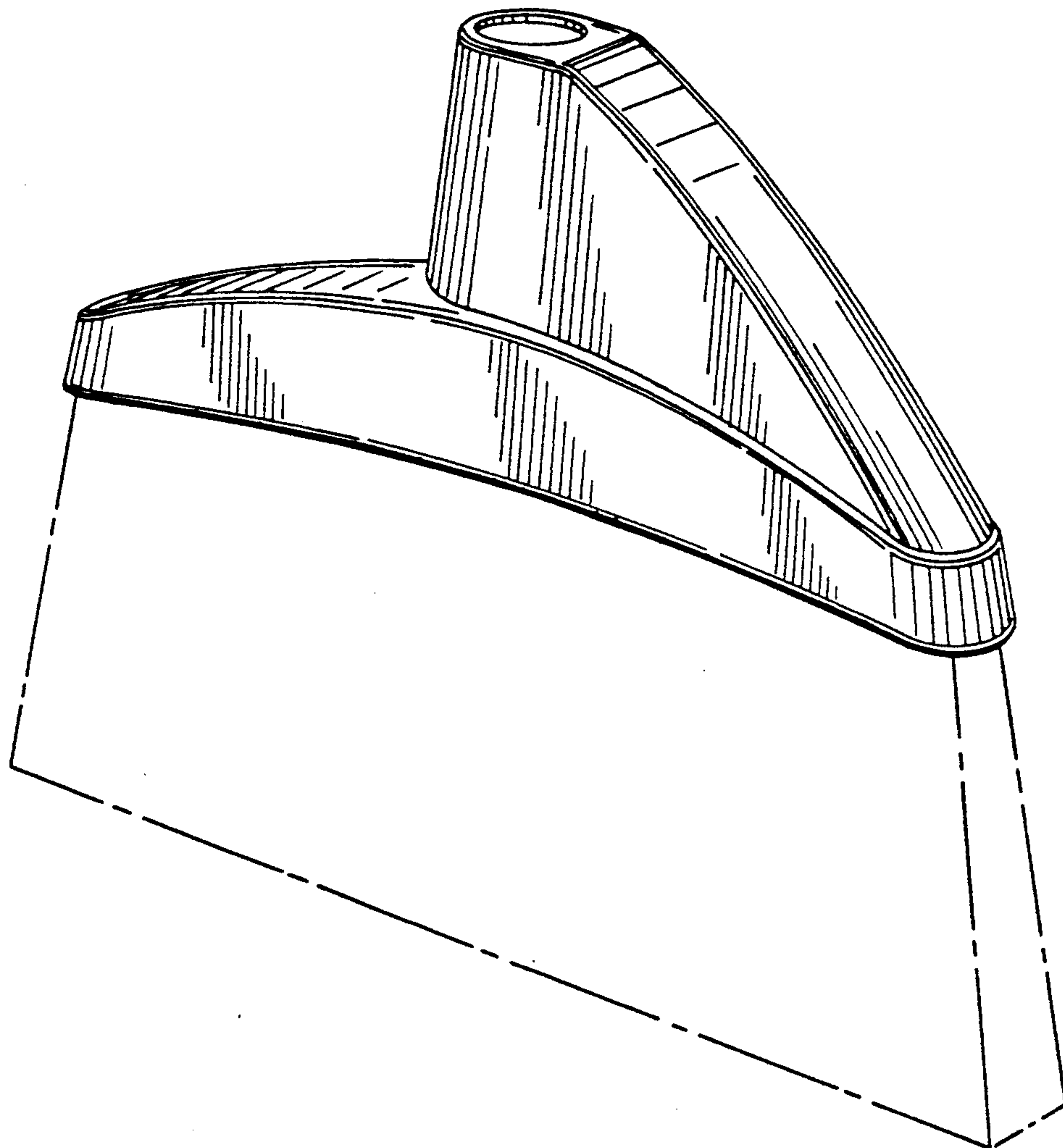


FIG. 1

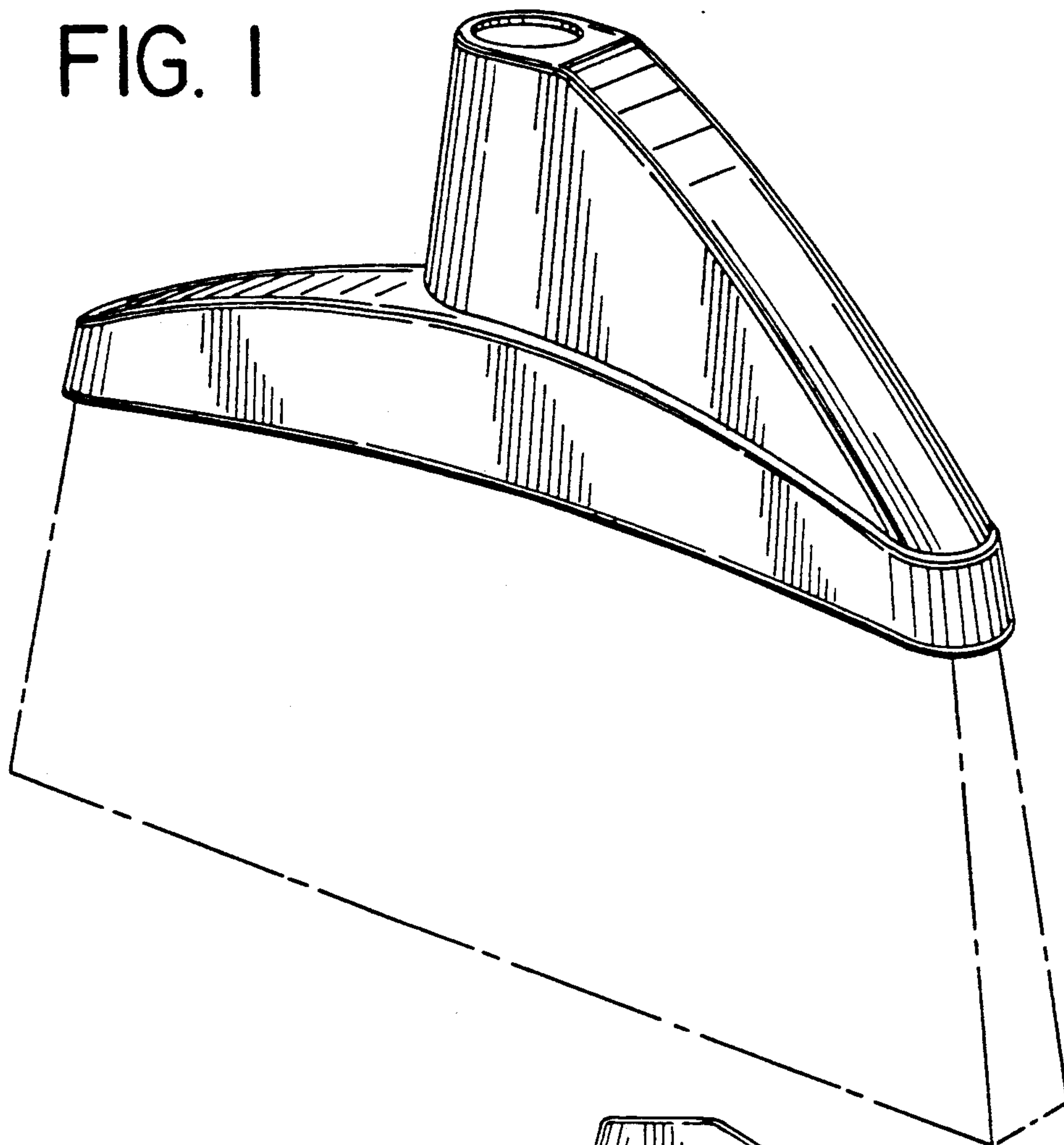


FIG. 2

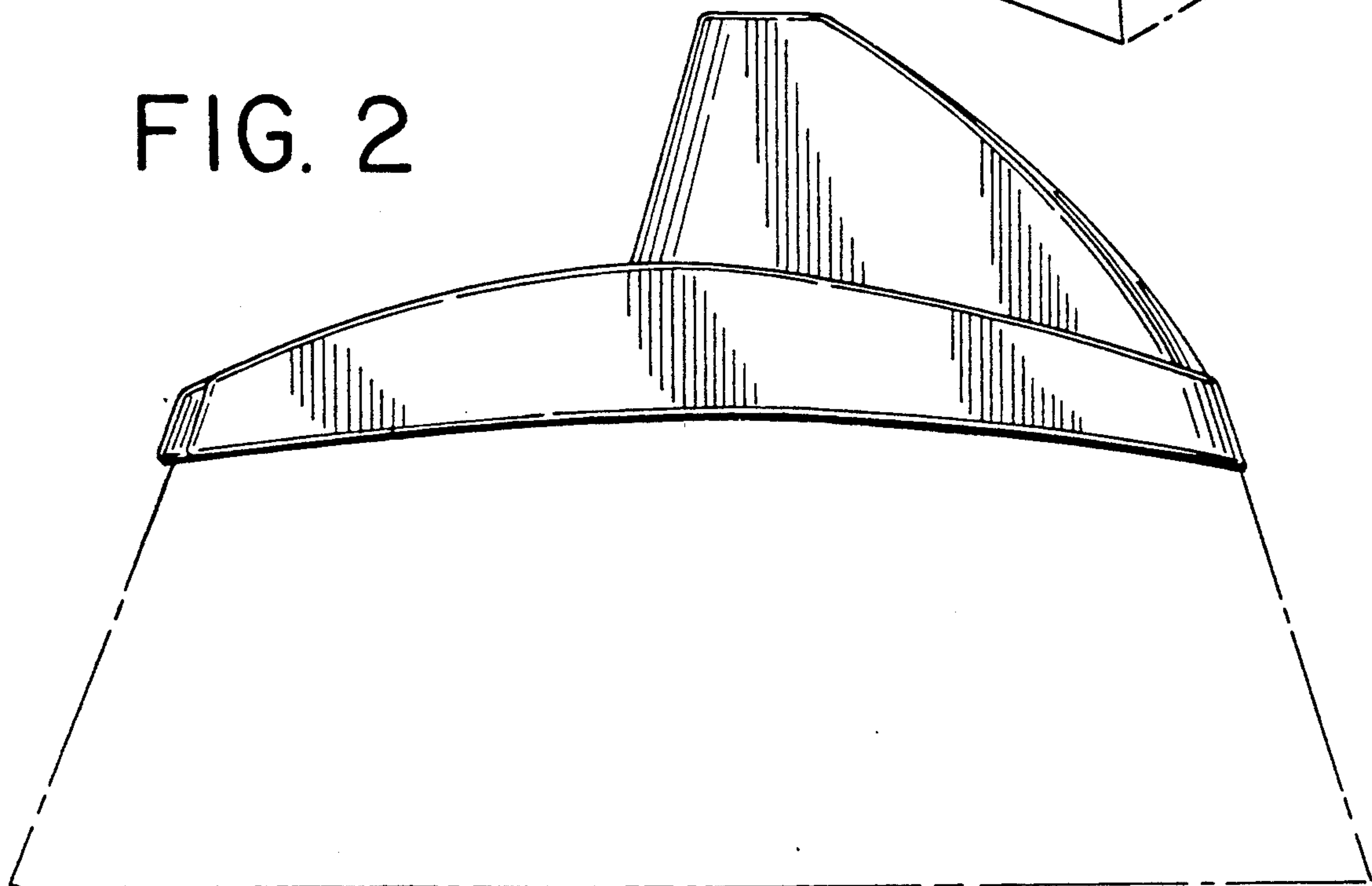


FIG.3

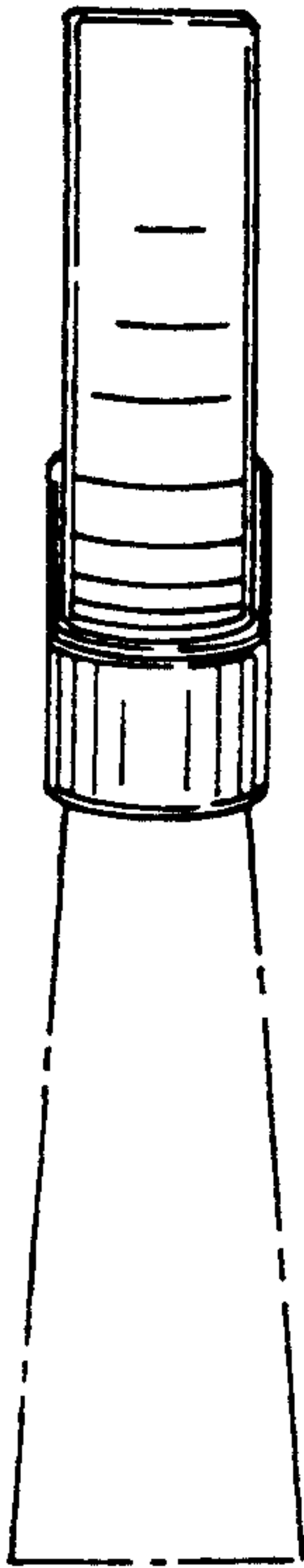


FIG.4

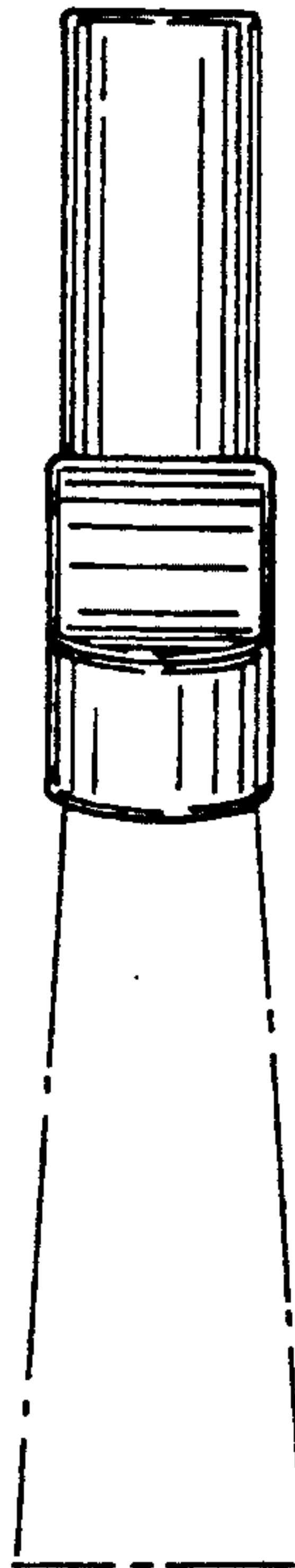


FIG.5

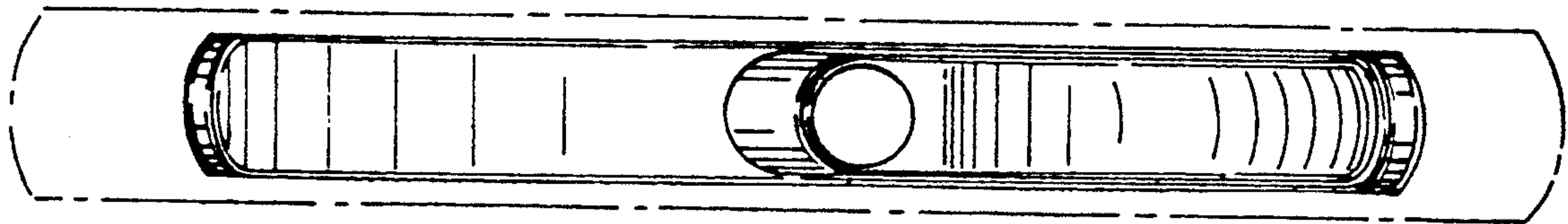


FIG.6

