



US00D346903S

# United States Patent [19]

Hillmer

[11] Patent Number: **Des. 346,903**

[45] Date of Patent: **\*\* May 17, 1994**

[54] **COMBINED DETACHABLE SNOW BRUSH AND ICE SCRAPER FOR VEHICLES**

[75] Inventor: **Eric Hillmer, Toronto, Canada**

[73] Assignee: **Mallory U.S.A., Inc., Blenheim, Canada**

[\*\*] Term: **14 Years**

[21] Appl. No.: **1,971**

[22] Filed: **Nov. 27, 1992**

[30] **Foreign Application Priority Data**

Aug. 18, 1992 [CH] Switzerland ..... 18-08-92-04

[52] U.S. Cl. .... **D4/118; D4/129; D32/42**

[58] Field of Search ..... **D4/116, 118, 129-130, D4/134, 138; 15/105, 111, 117, 143.1, 159.1, 160, 236.01, 236.02; D32/42, 48-49**

[56] **References Cited**

**U.S. PATENT DOCUMENTS**

D. 182,070 2/1958 Hauser ..... D32/49

D. 242,748 12/1976 Graham et al. .... D4/118  
D. 305,963 2/1990 Brinker et al. .... D4/118  
D. 335,771 5/1993 Mallory et al. .... D4/118  
4,908,900 3/1990 McLaughlin et al. .... 15/111

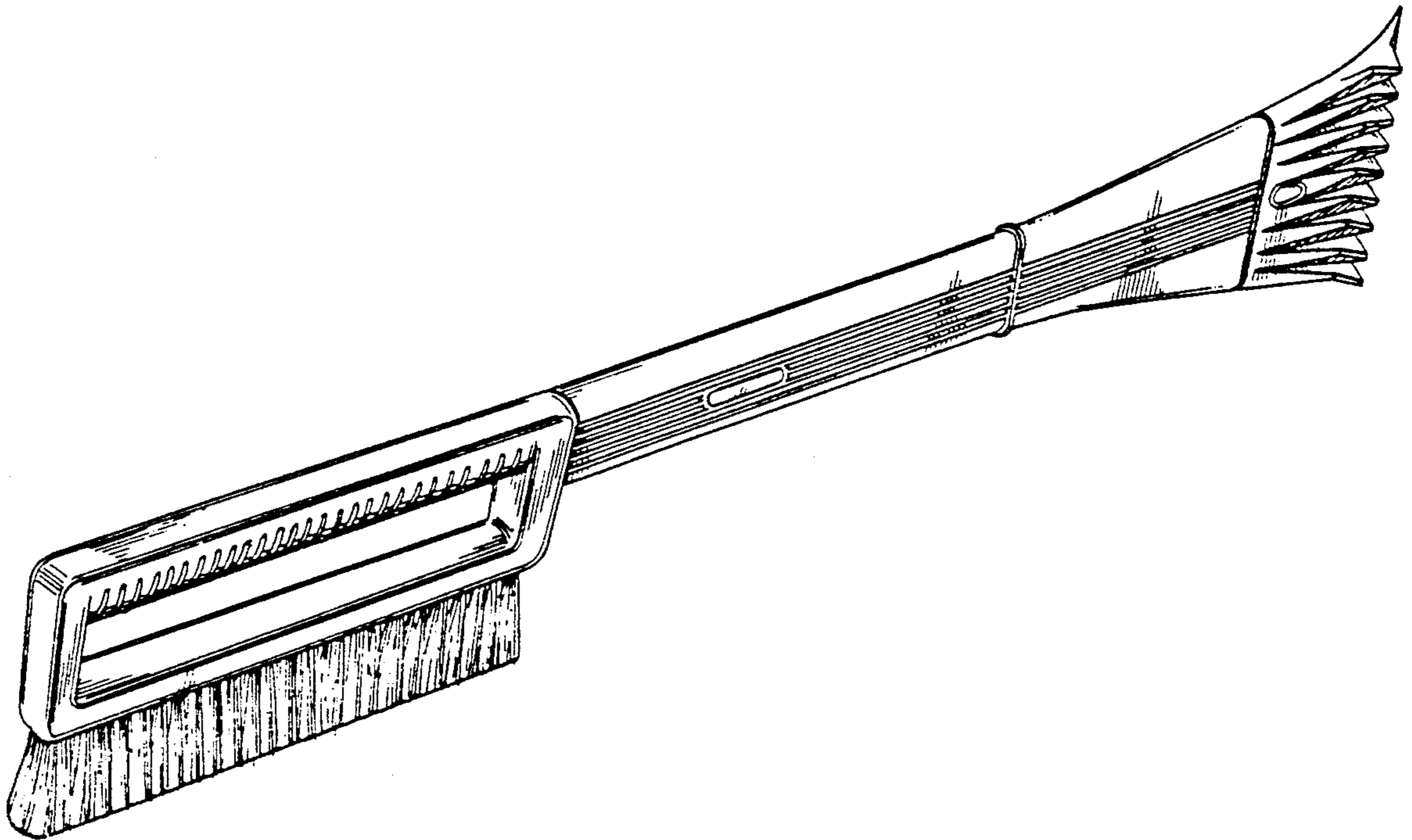
*Primary Examiner*—Wallace R. Burke  
*Assistant Examiner*—Lavone D. Tabor  
*Attorney, Agent, or Firm*—Burke-Robertson

[57] **CLAIM**

The ornamental design for a combined detachable snow brush and ice scraper for vehicles, as shown and described.

**DESCRIPTION**

FIG. 1 is an elevation view, from the side;  
FIG. 2 is a plan view, from the bottom;  
FIG. 3 is an elevation view from the other side to that shown in FIG. 1;  
FIG. 4 is a plan view, from the top;  
FIG. 5 is an elevation view, from the scraper end;  
FIG. 6 is an elevation view, from the brush end; and,  
FIG. 7 is a perspective view.  
The bristles are partially shown for ease of illustration.



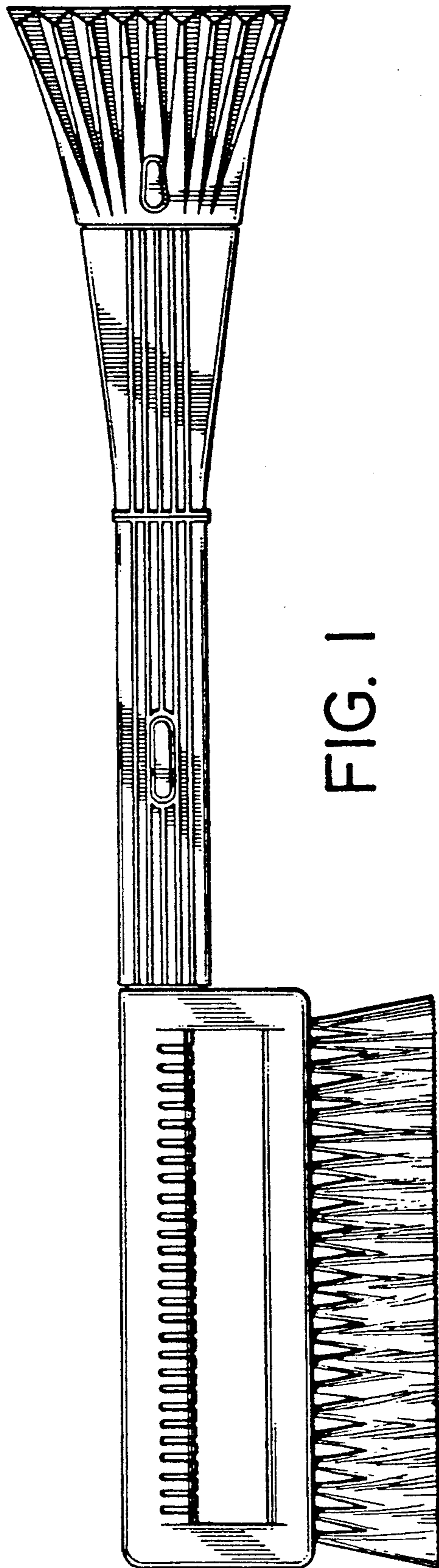


FIG. 1

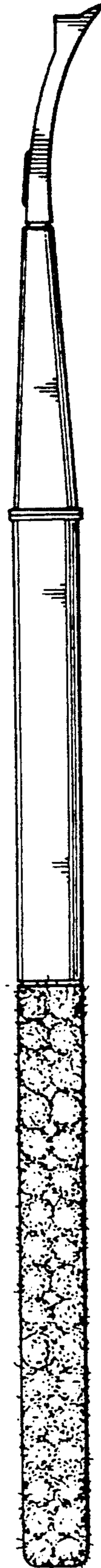


FIG. 2

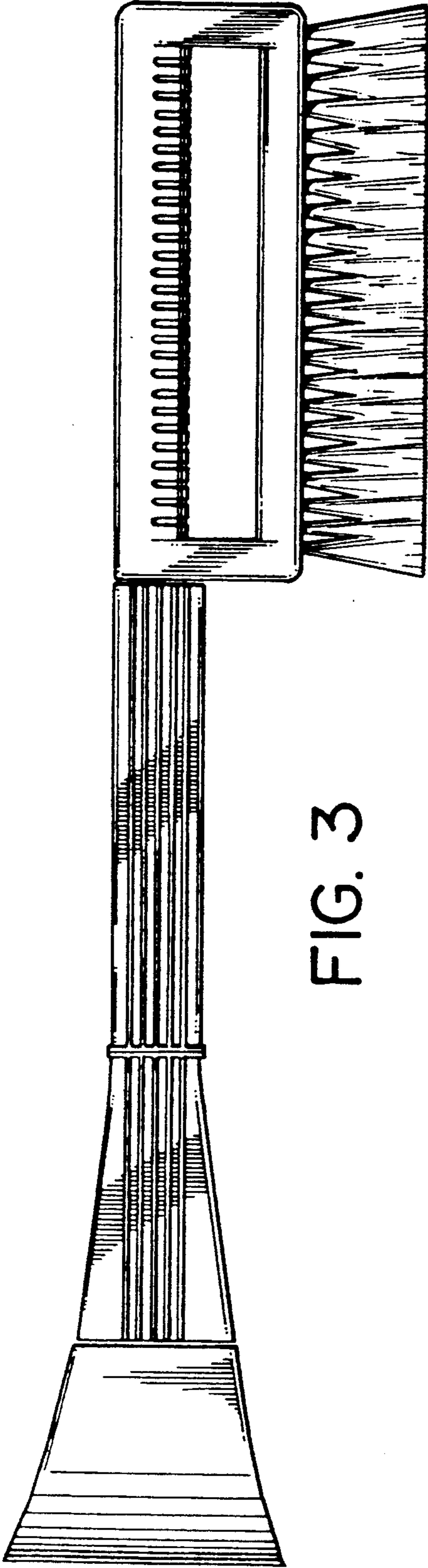


FIG. 3

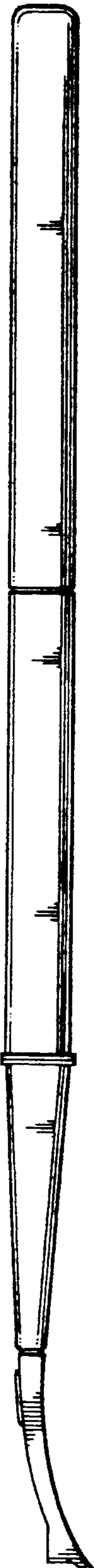


FIG. 4

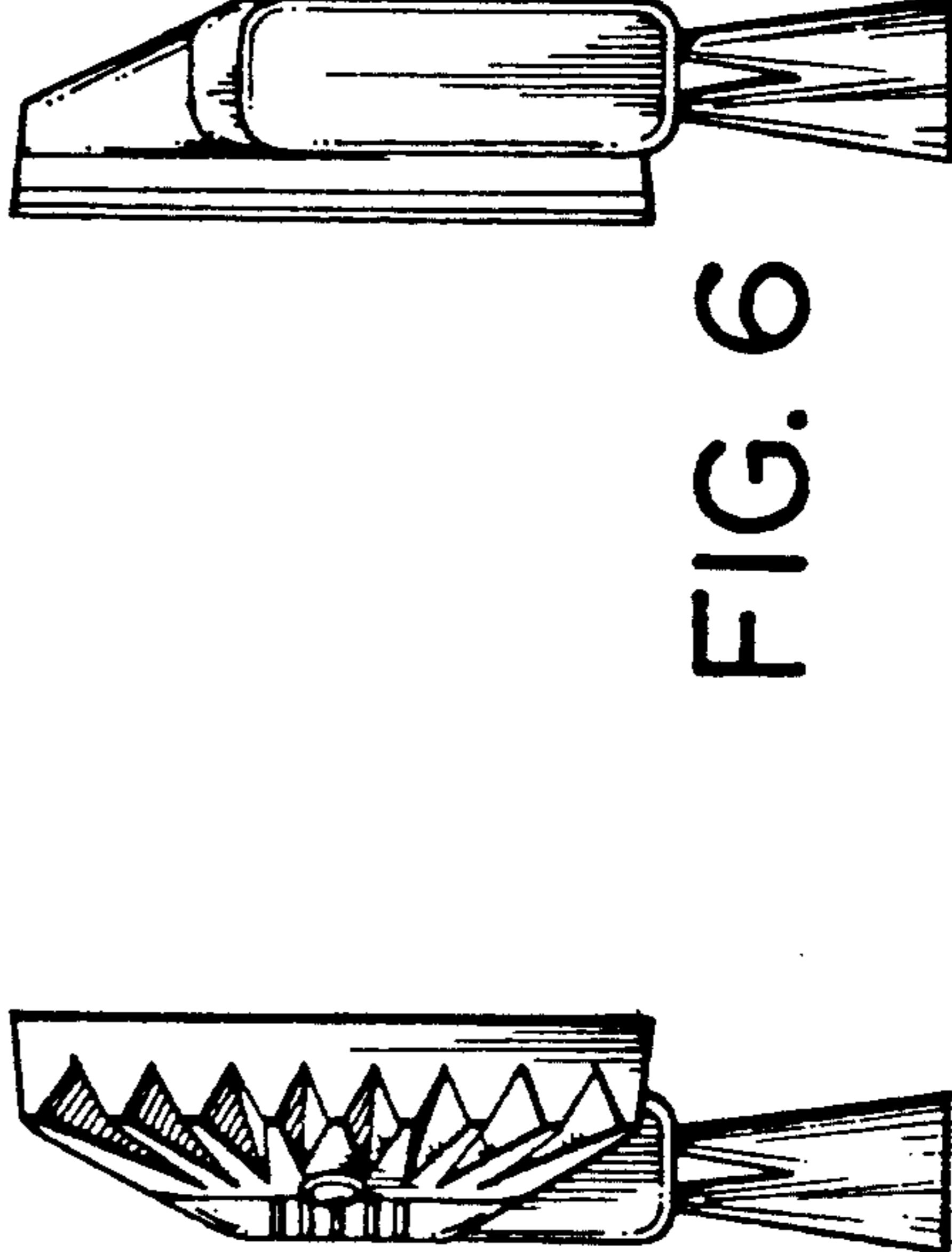


FIG. 5

FIG. 6

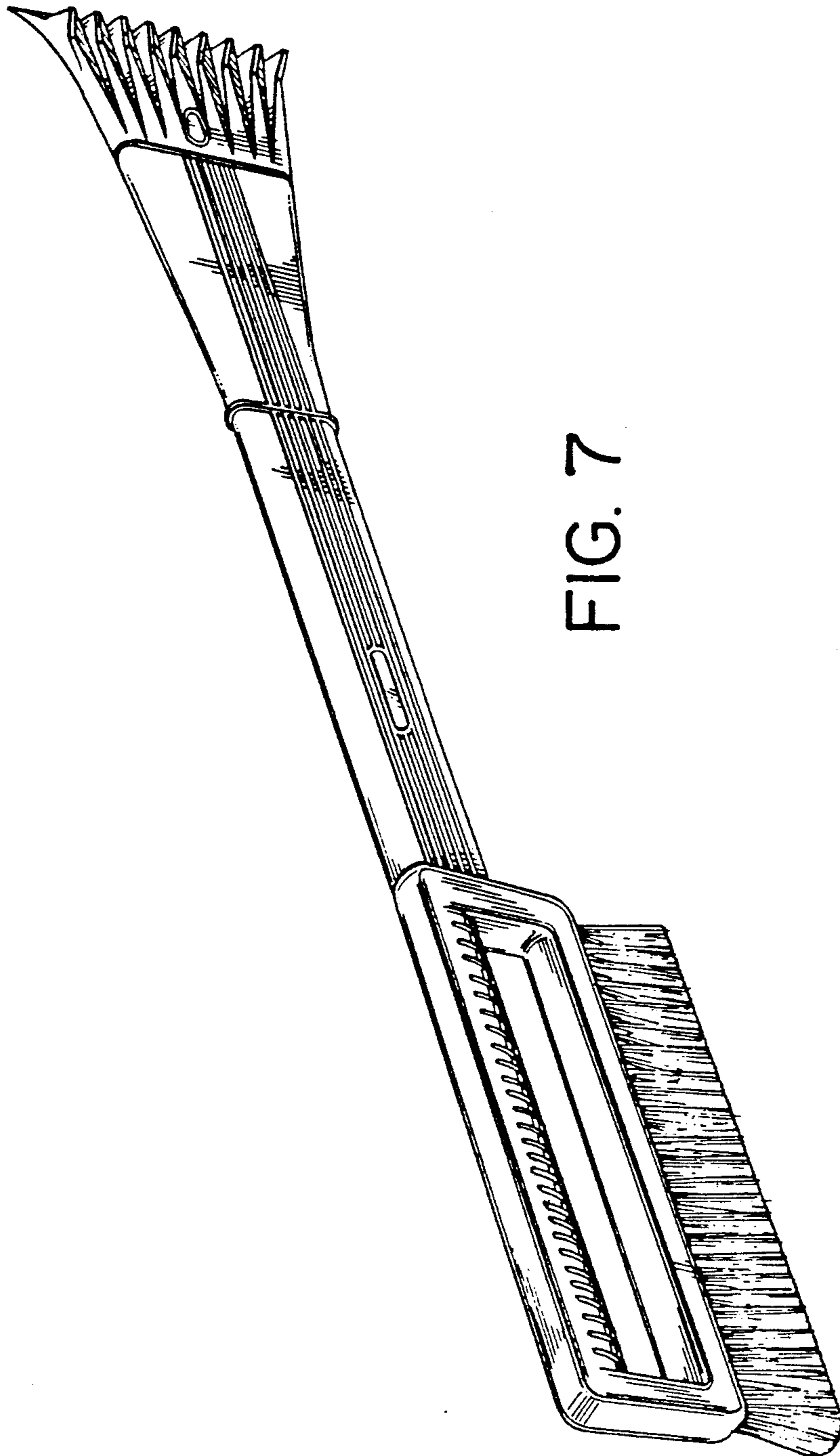


FIG. 7