



US00D346888S

# United States Patent [19]

[11] Patent Number: Des. 346,888

Stone

[45] Date of Patent: \*\* May 10, 1994

[54] AUTOMATIC SWIMMING POOL CLEANER

[75] Inventor: William Stone, Coral Springs, Fla.

[73] Assignee: Zarina Holding C.V., Amsterdam, Netherlands

[\*\*] Term: 14 Years

[21] Appl. No.: 756,141

[22] Filed: Sep. 6, 1991

[52] U.S. Cl. .... D32/1

[58] Field of Search ..... 15/1.7, 379, 404, 416, 15/419, 420, 421; 210/169; D32/1, 21-22

[56] References Cited

### U.S. PATENT DOCUMENTS

D. 325,796	4/1992	Kallenbach	.....	D32/25
3,803,658	4/1974	Raubenheimer	.....	15/1.7
4,023,227	5/1977	Chauvier	.....	15/1.7
4,133,068	1/1979	Hofmann	.....	15/1.7
4,193,156	3/1980	Chauvier	.....	15/1.7
4,208,752	6/1980	Hofmann	.....	15/1.7
4,351,077	9/1982	Hofmann	.....	15/1.7
4,642,833	2/1987	Stoltz et al.	.....	15/1.7
4,742,593	5/1988	Kallenbach	.....	15/1.7
4,761,848	8/1988	Hofmann	.....	15/1.7
4,807,318	2/1989	Kallenbach	.....	15/1.7
5,008,008	4/1991	Lockshaw	.....	210/169
5,014,382	5/1991	Kallenbach	.....	15/1.7
5,033,148	7/1991	Chauvier et al.	.....	15/1.7

5,033,149	7/1991	Russo	.....	15/1.7
5,044,034	9/1991	Iannucci	.....	15/1.7
5,058,612	10/1991	Winsted	.....	134/167 R

### FOREIGN PATENT DOCUMENTS

8410035	8/1985	South Africa	.
85/0644	9/1985	South Africa	.
86/6990	6/1987	South Africa	.
0015/89	4/1989	South Africa	.
90/5352	7/1991	South Africa	.

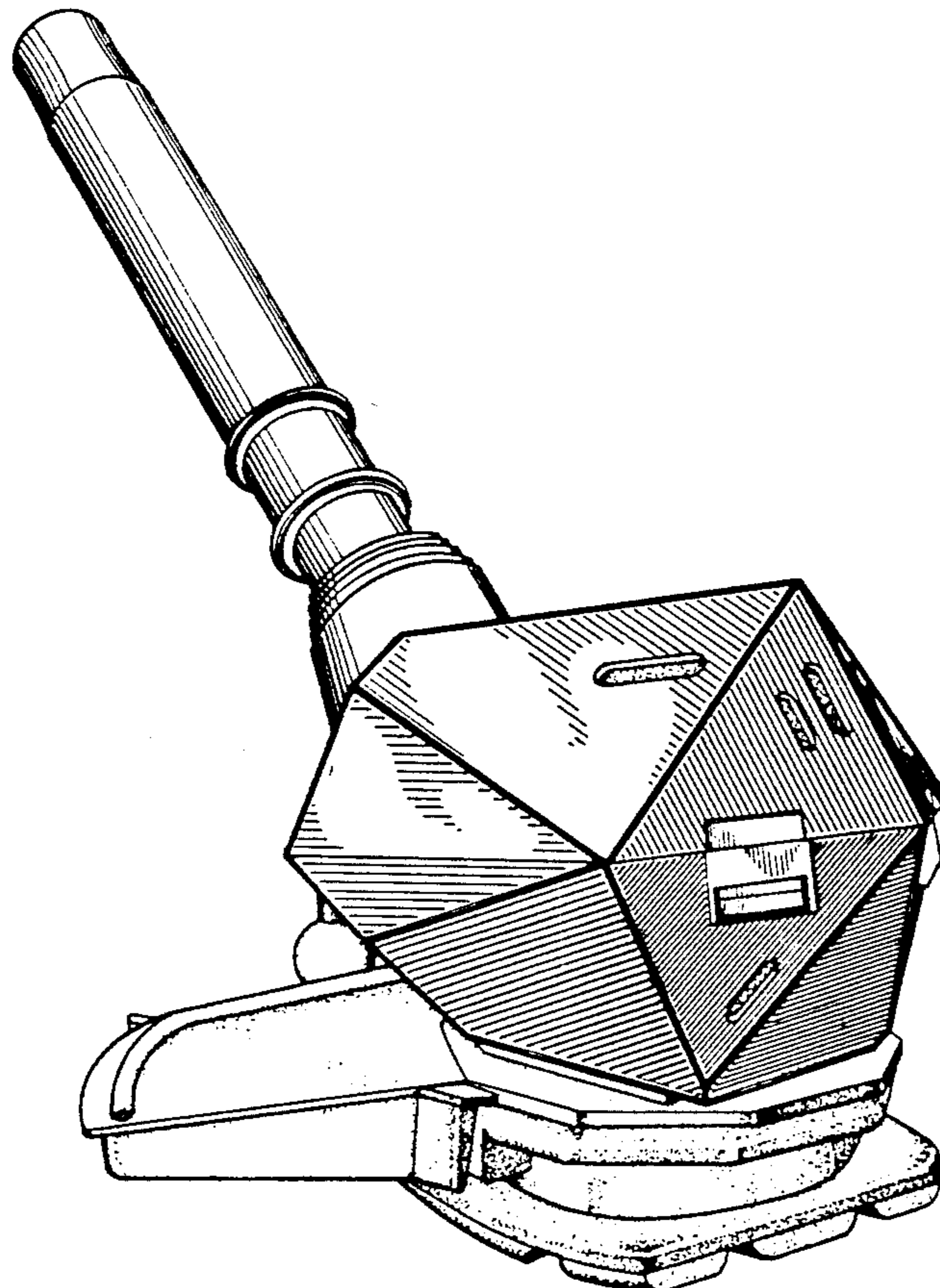
Primary Examiner—Ruth McInroy  
Attorney, Agent, or Firm—Kilpatrick & Cody

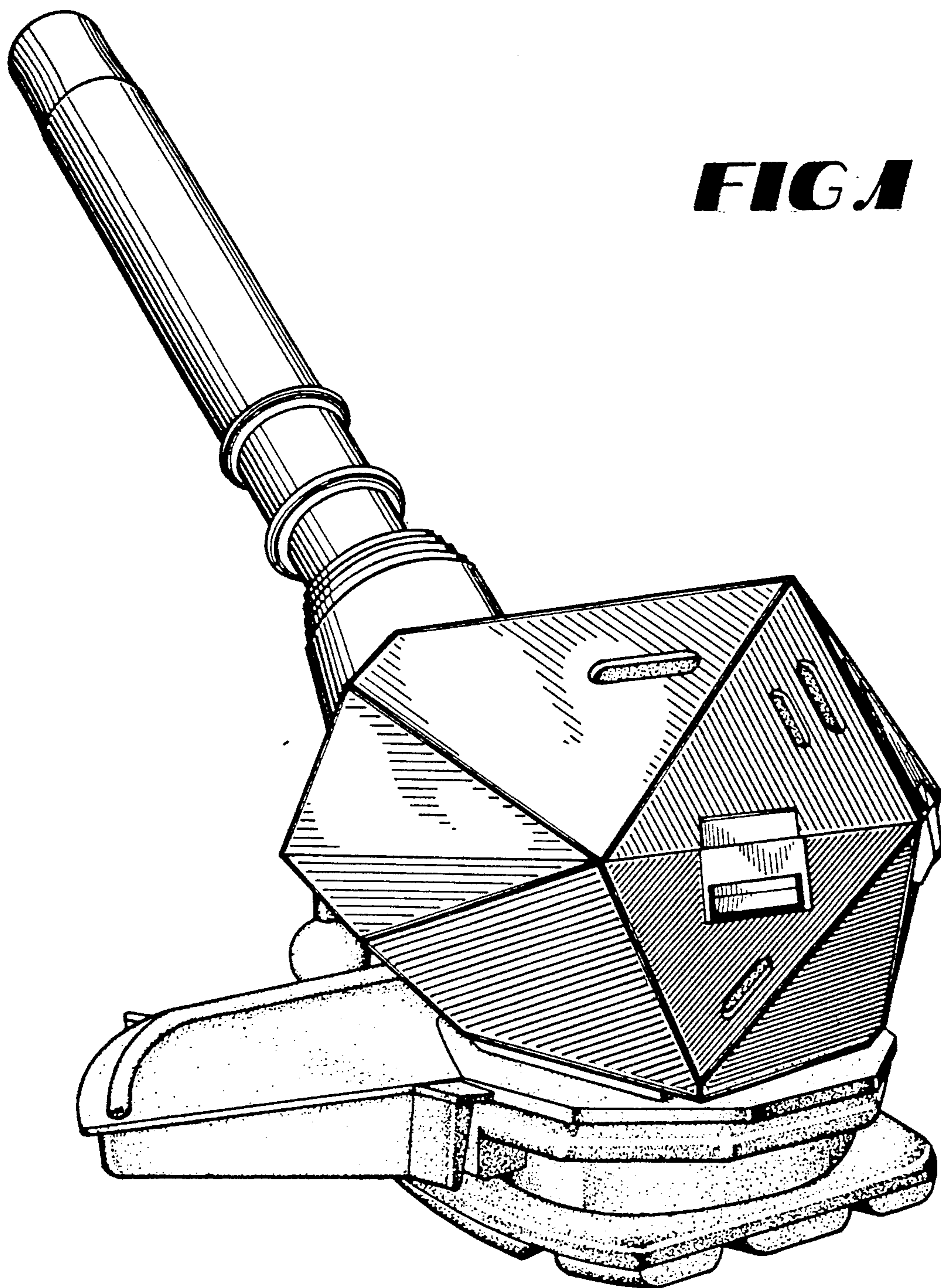
### [57] CLAIM

The ornamental design for an automatic swimming pool cleaner, as shown and described.

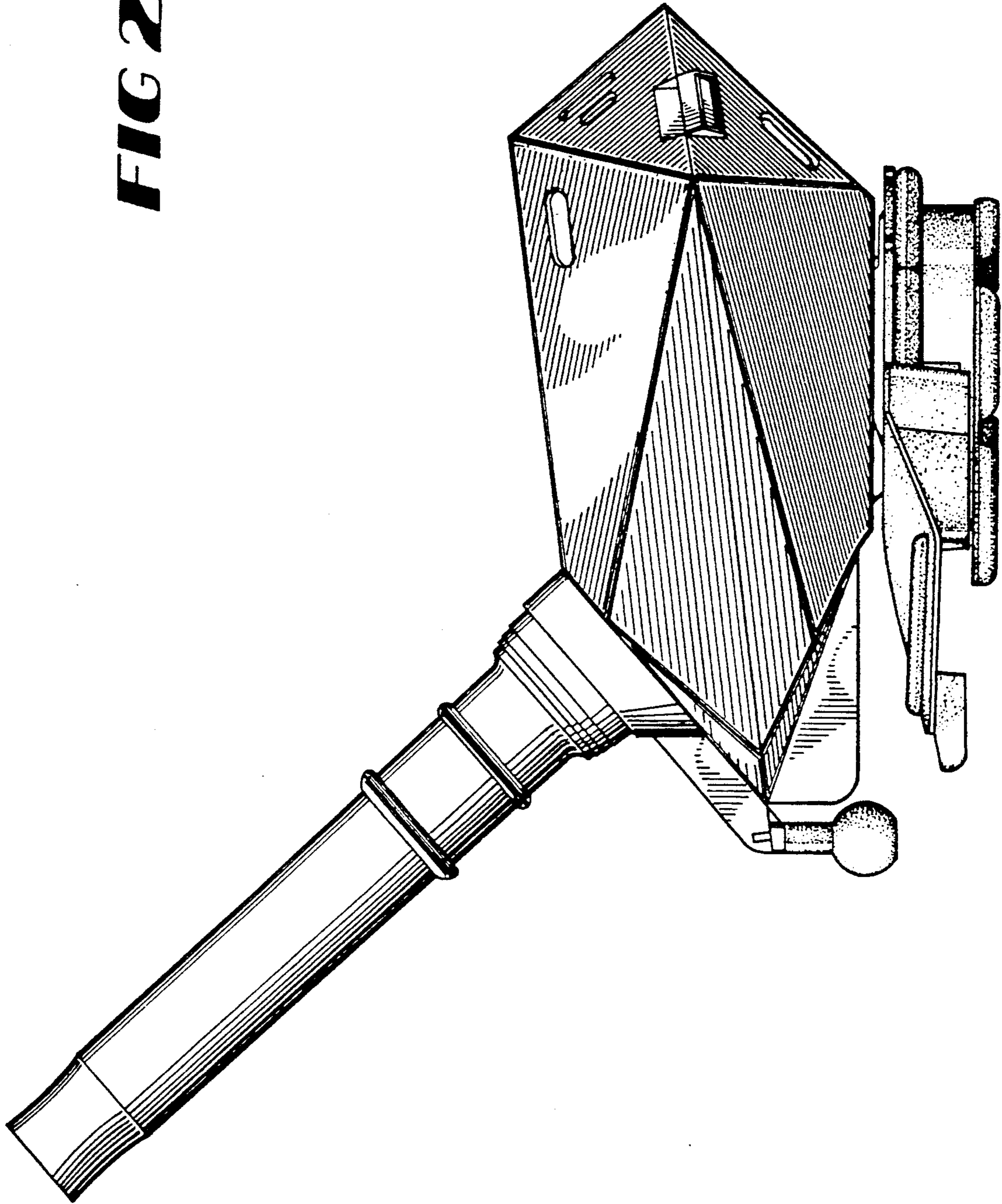
### DESCRIPTION

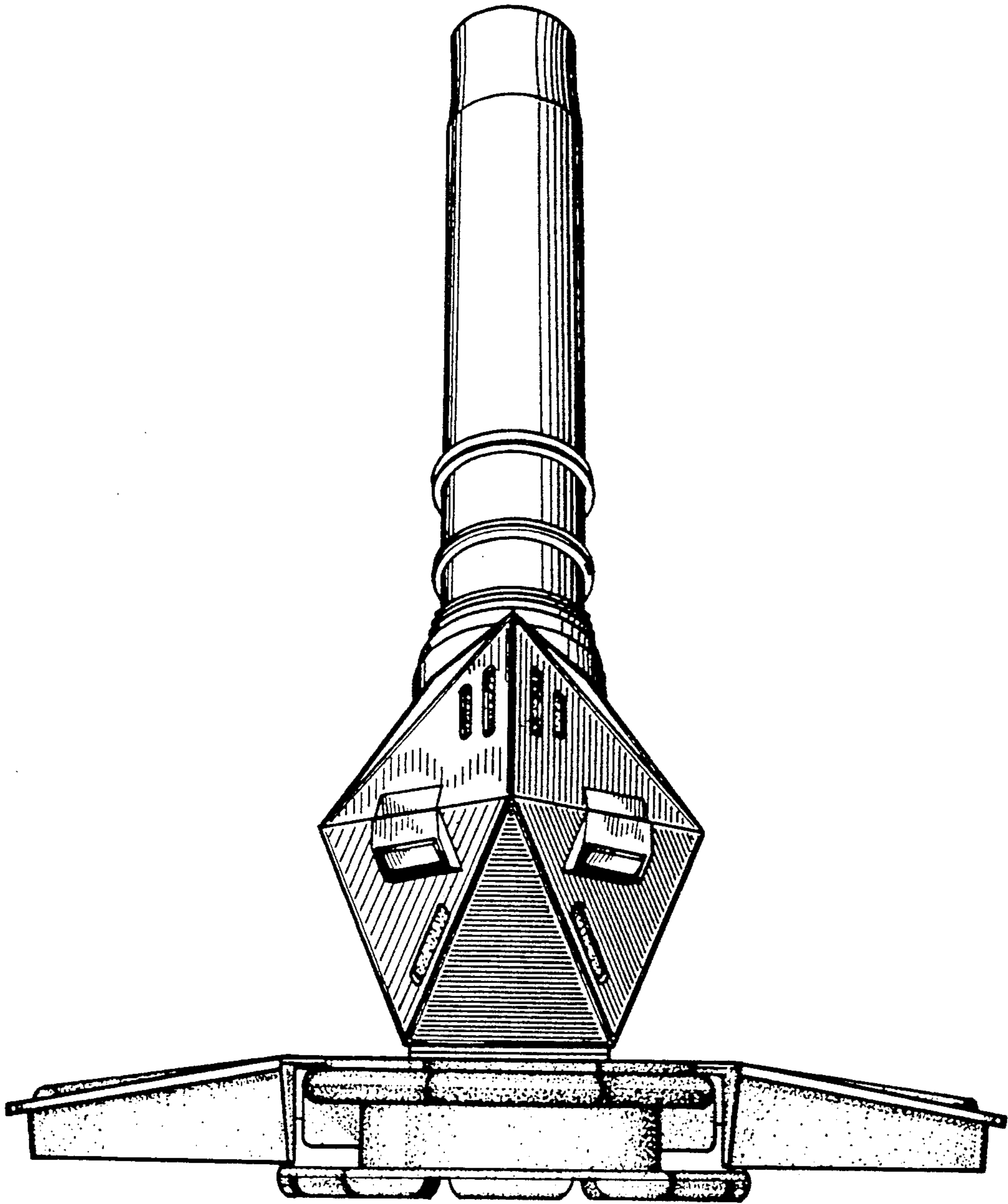
FIG. 1 is a rear and left side perspective view of an automatic pool cleaner showing my new design; FIG. 2 is a left side elevational view thereof; FIG. 3 is a rear elevational view thereof; FIG. 4 is a right side elevational view thereof; FIG. 5 is a front elevational view thereof; FIG. 6 is a top plan view thereof; and, FIG. 7 is a bottom plan view thereof. The heavy lined surface shading in FIGS. 1-7 does not represent a pattern but merely shows these surfaces to be angled.



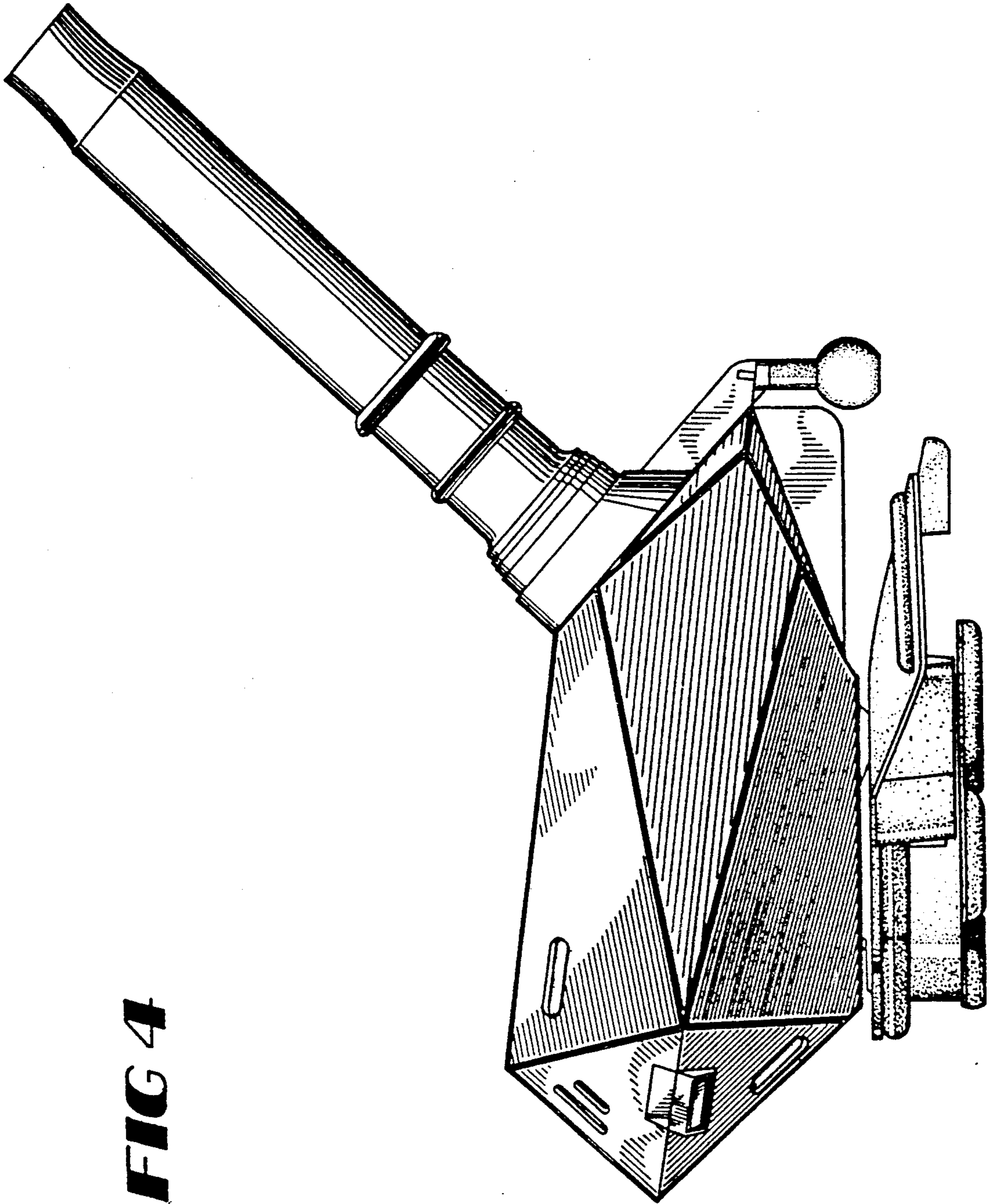


**FIG 2**

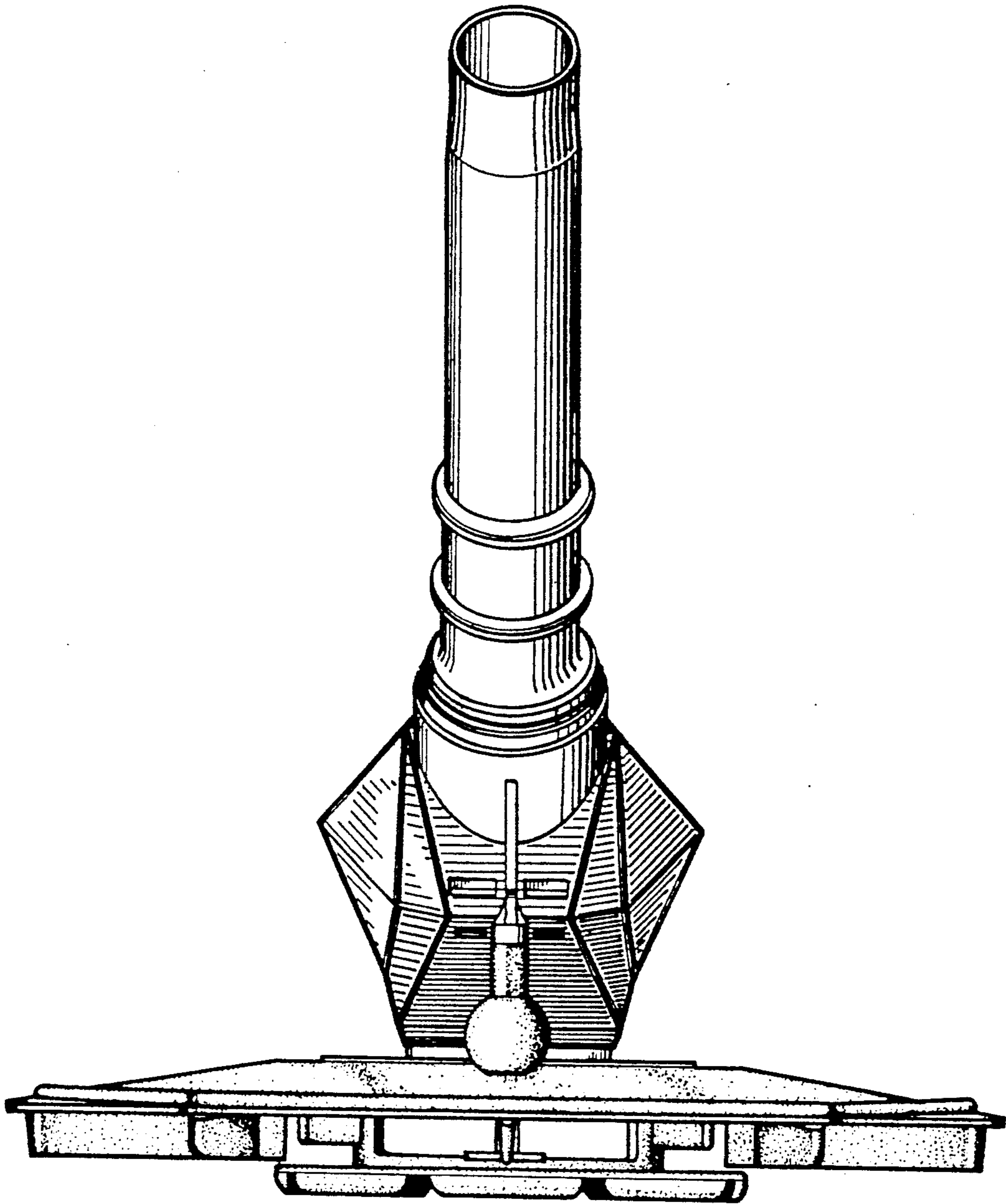




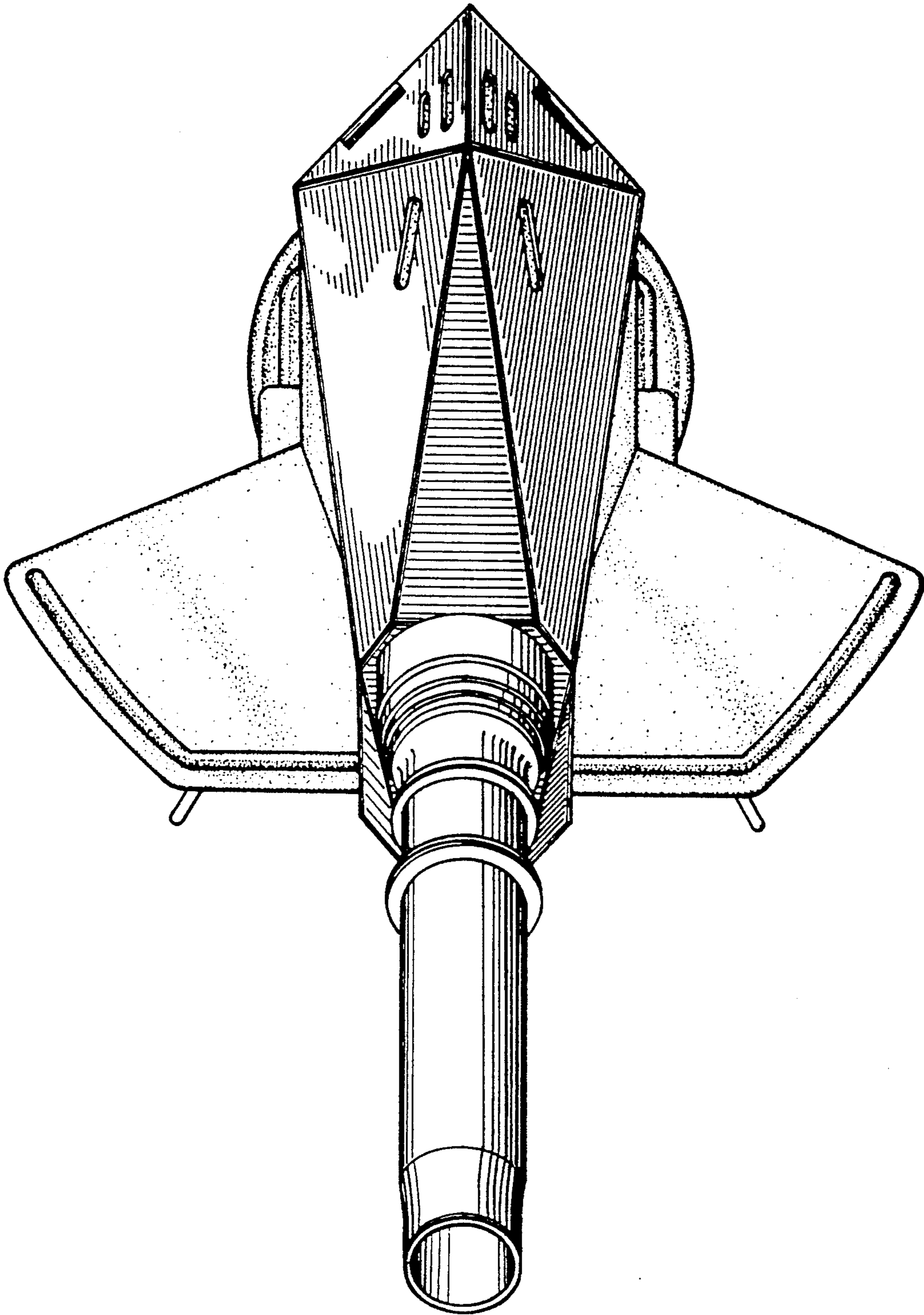
**FIG 3**



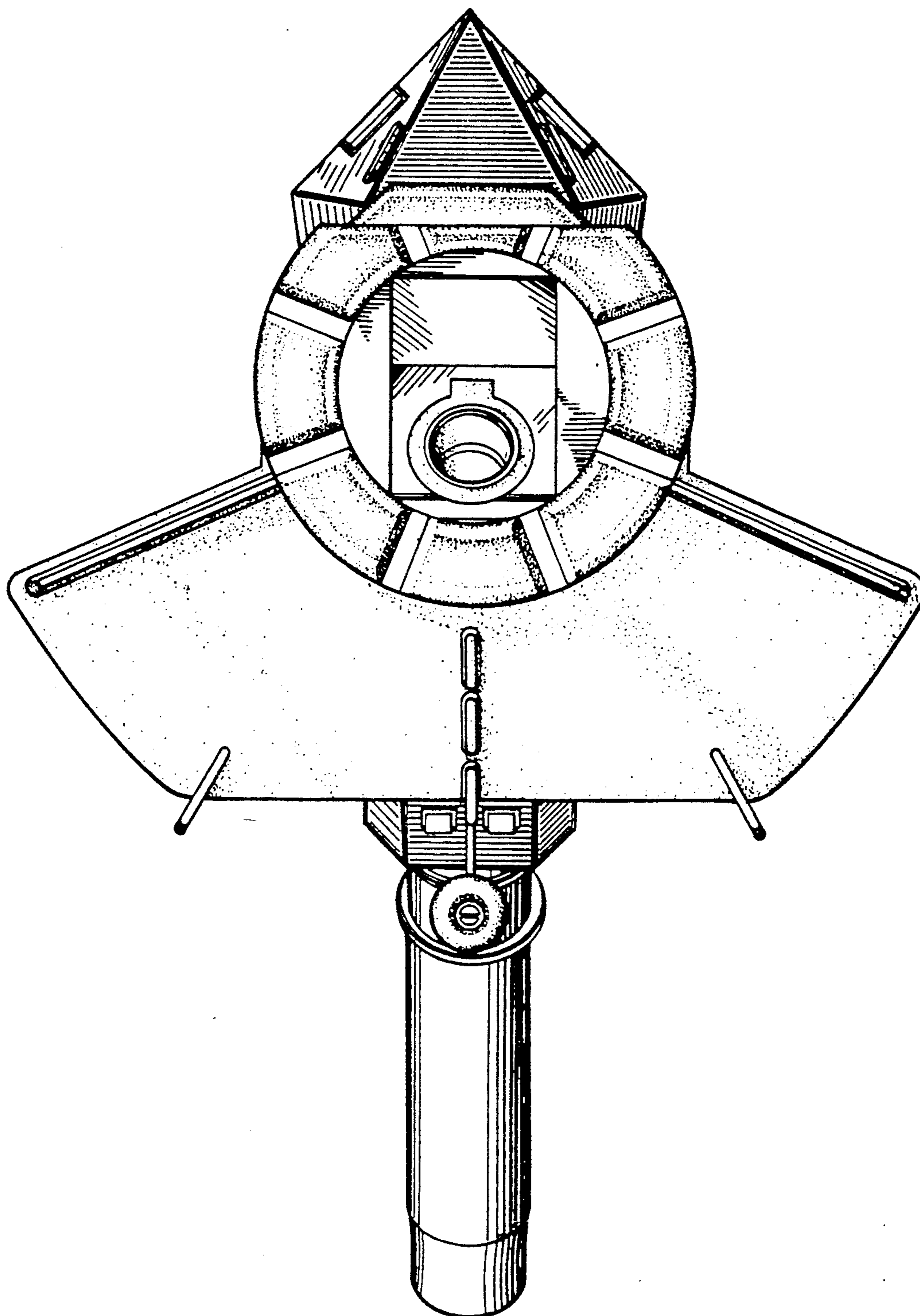
**FIG 4**



**FIG 5**



**FIG 6**



**FIG 7**