



US00D346882S

# United States Patent [19]

[11] Patent Number: **Des. 346,882**

Bryerton, Sr.

[45] Date of Patent: **\*\* May 10, 1994**

[54] EAR MUFF

[76] Inventor: **Donald W. Bryerton, Sr.**, 13th Ave.  
Box 297, Sylvan Beach, N.Y. 13157

[\*\*] Term: **14 Years**

[21] Appl. No.: **730,255**

[22] Filed: **Jul. 15, 1991**

[52] U.S. Cl. .... **D29/19**

[58] Field of Search ..... **D2/513; 2/209; D29/19;**  
**D14/223; D12/134, 135, 142**

D. 254,876	5/1980	Reitenga et al. ....	D29/19
D. 311,074	10/1990	Scott et al. ....	D29/19
170,942	12/1875	Edgar .....	D29/19
2,314,782	3/1943	Goretsky .....	D29/19

*Primary Examiner*—Ruth McInroy  
*Attorney, Agent, or Firm*—Katherine McGuire

### [57] CLAIM

The ornamental design for an ear muff, as shown and described.

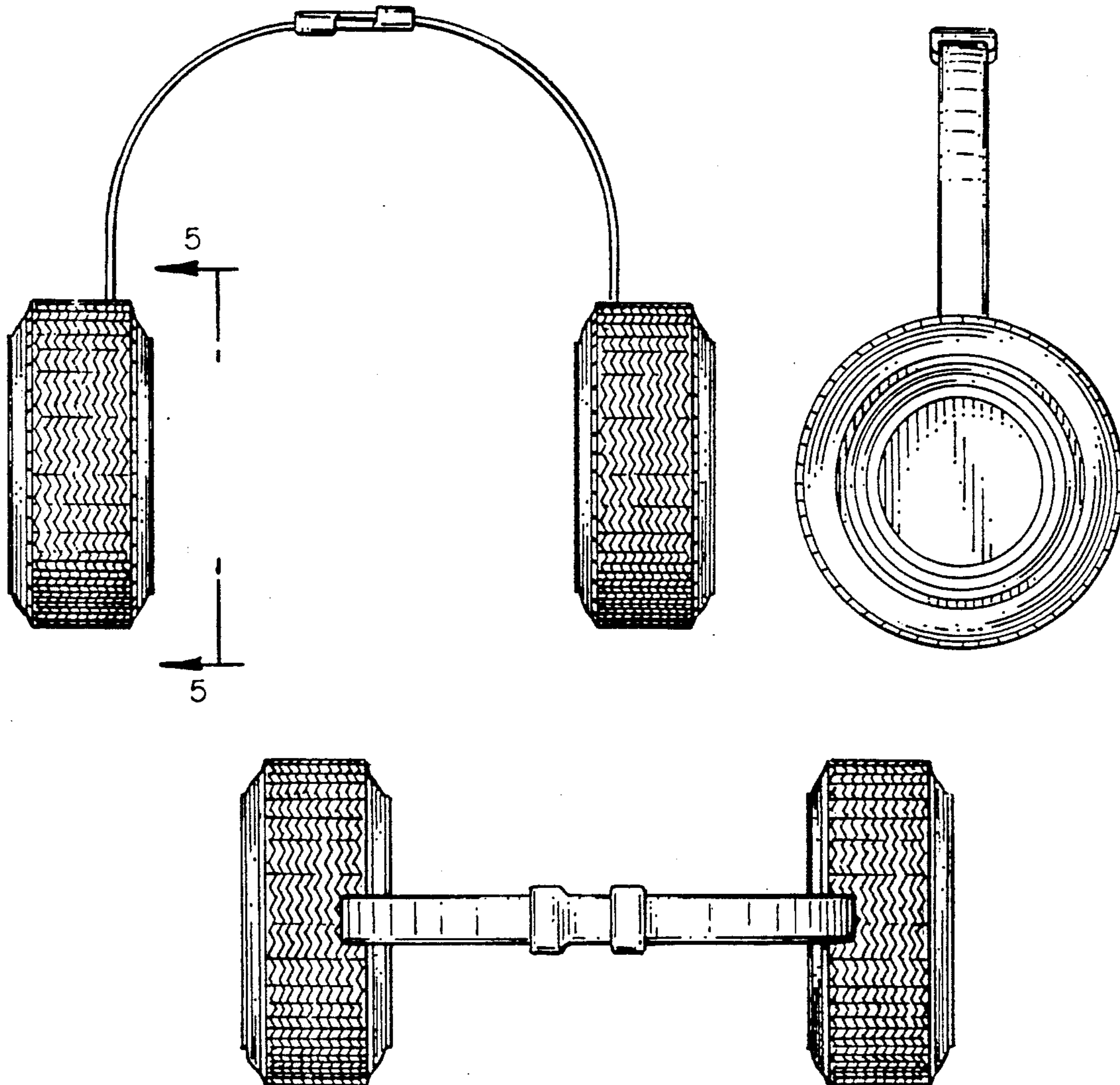
### DESCRIPTION

FIG. 1 is a front elevational view of an ear muff showing my new design;  
FIG. 2 is a right side elevational view thereof, the left side being a mirror image;  
FIG. 3 is a top plan view thereof;  
FIG. 4 is a bottom plan view thereof; and,  
FIG. 5 is a cross-sectional view taken along line 5—5 in FIG. 1.

### [56] References Cited

#### U.S. PATENT DOCUMENTS

D. 130,225	11/1941	Hale .....	D12/142
D. 149,150	3/1948	Schwartz .....	D29/19
D. 166,399	4/1952	Lattuca .....	D29/19
D. 206,256	11/1966	Boyer .....	D29/19
D. 215,138	9/1969	Mackey .....	D29/19



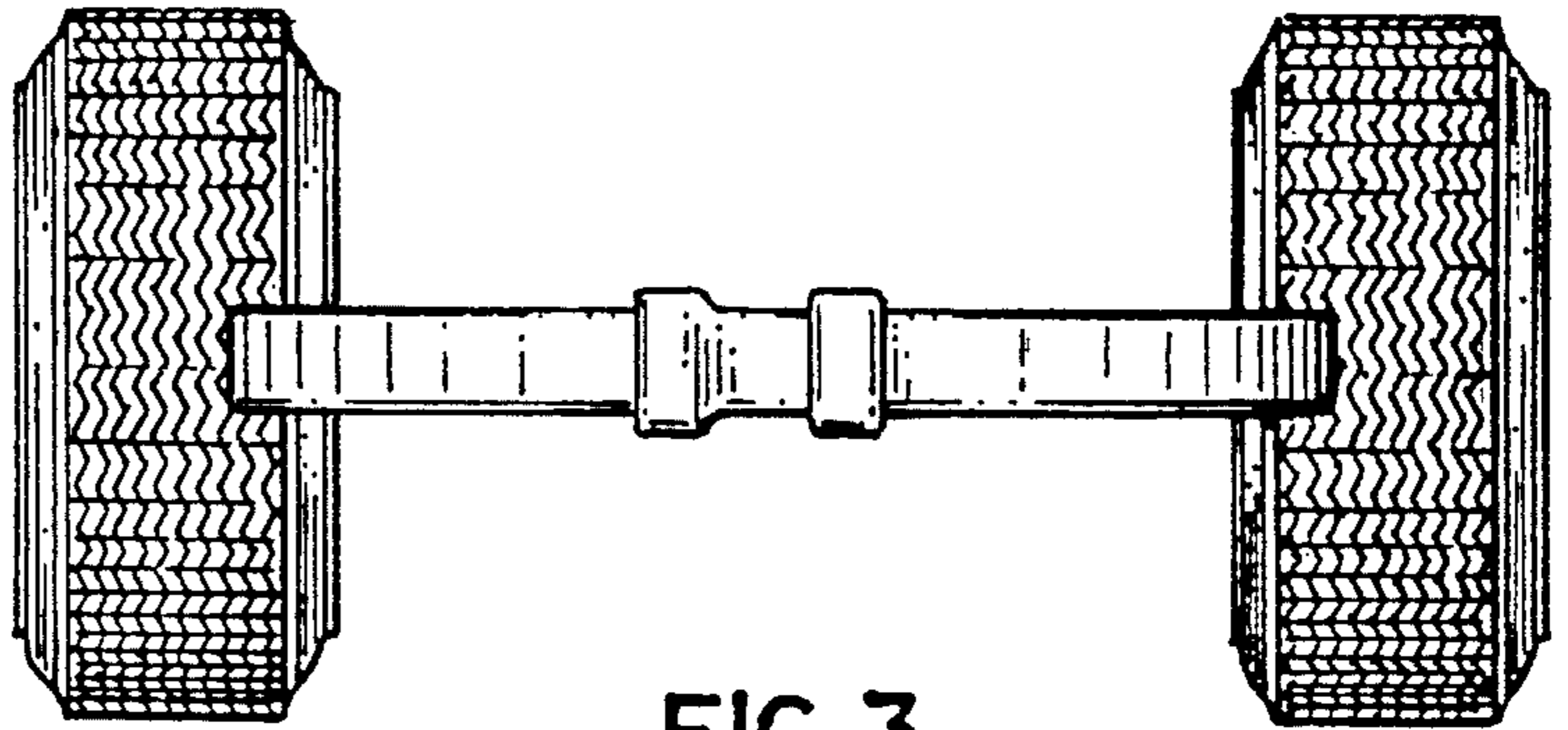


FIG. 3

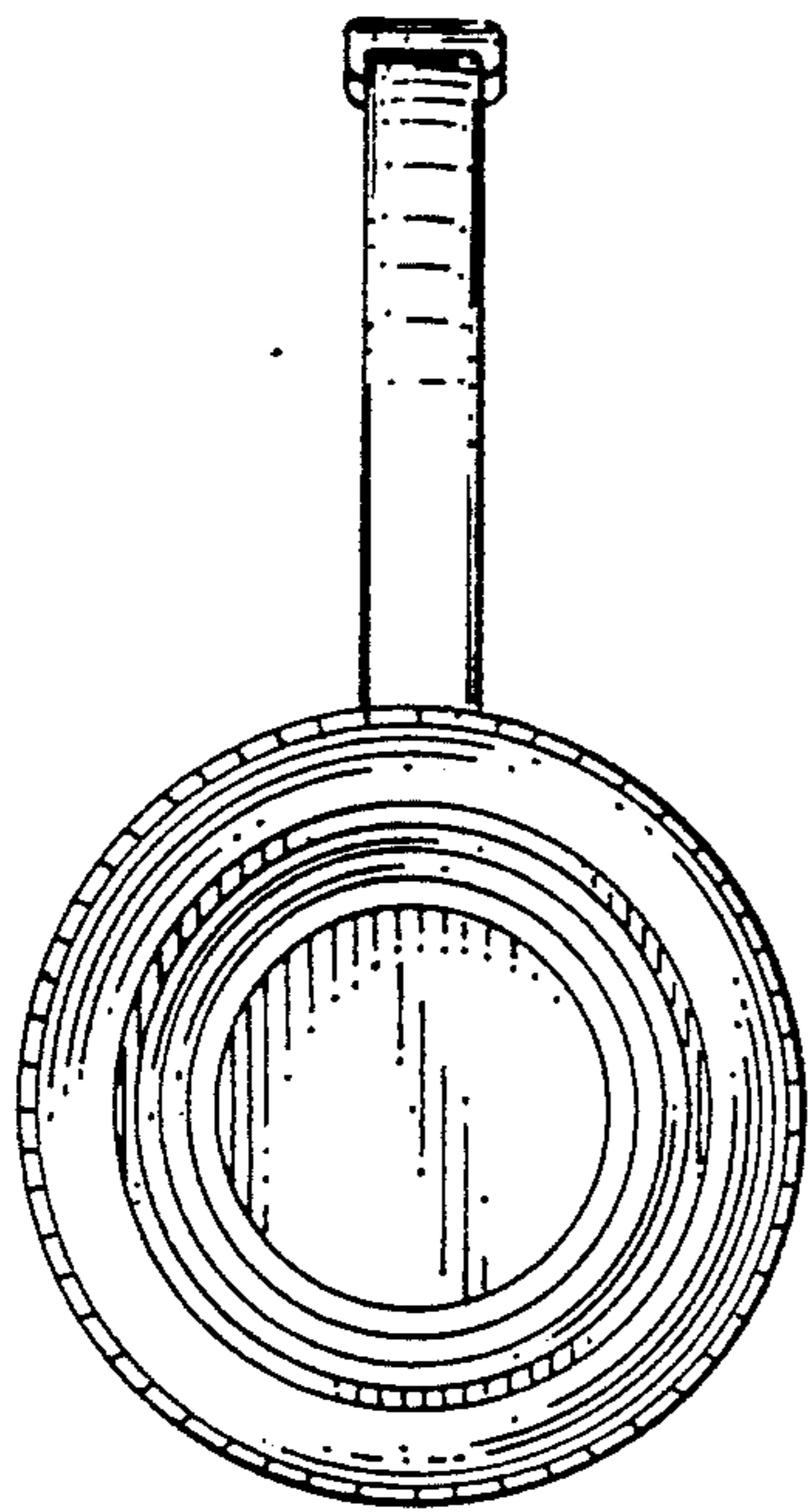


FIG. 2

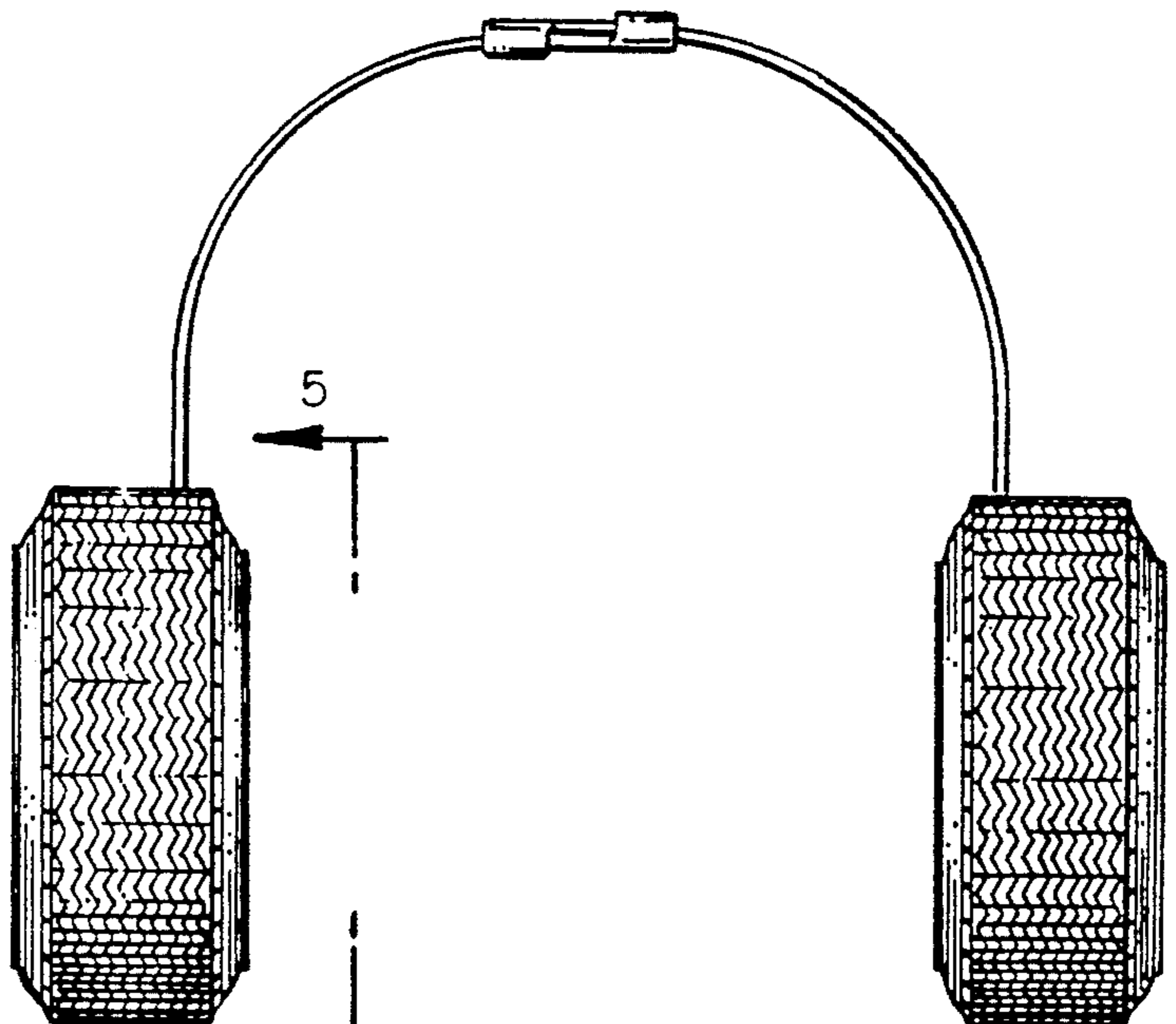


FIG. 1

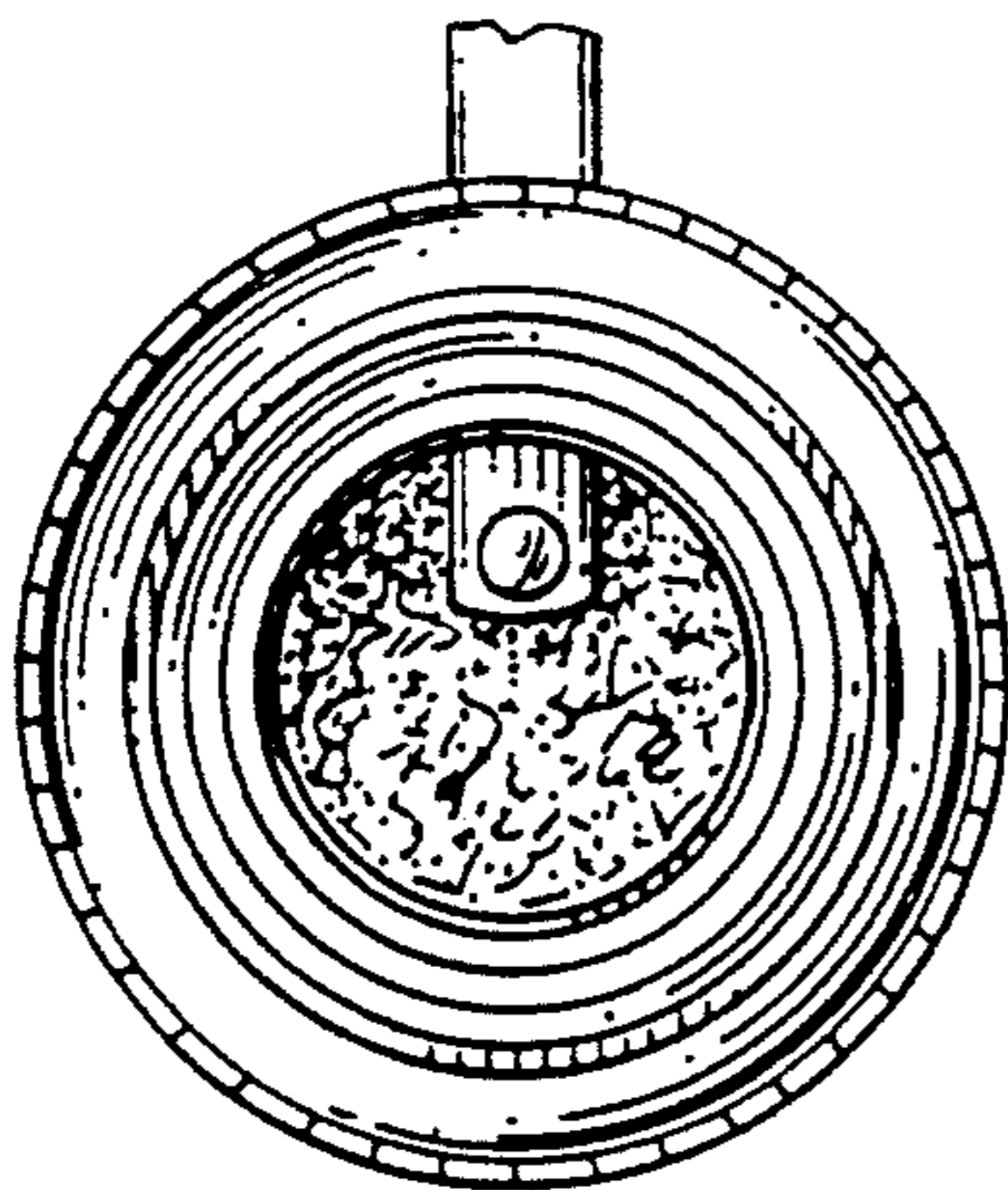


FIG. 5

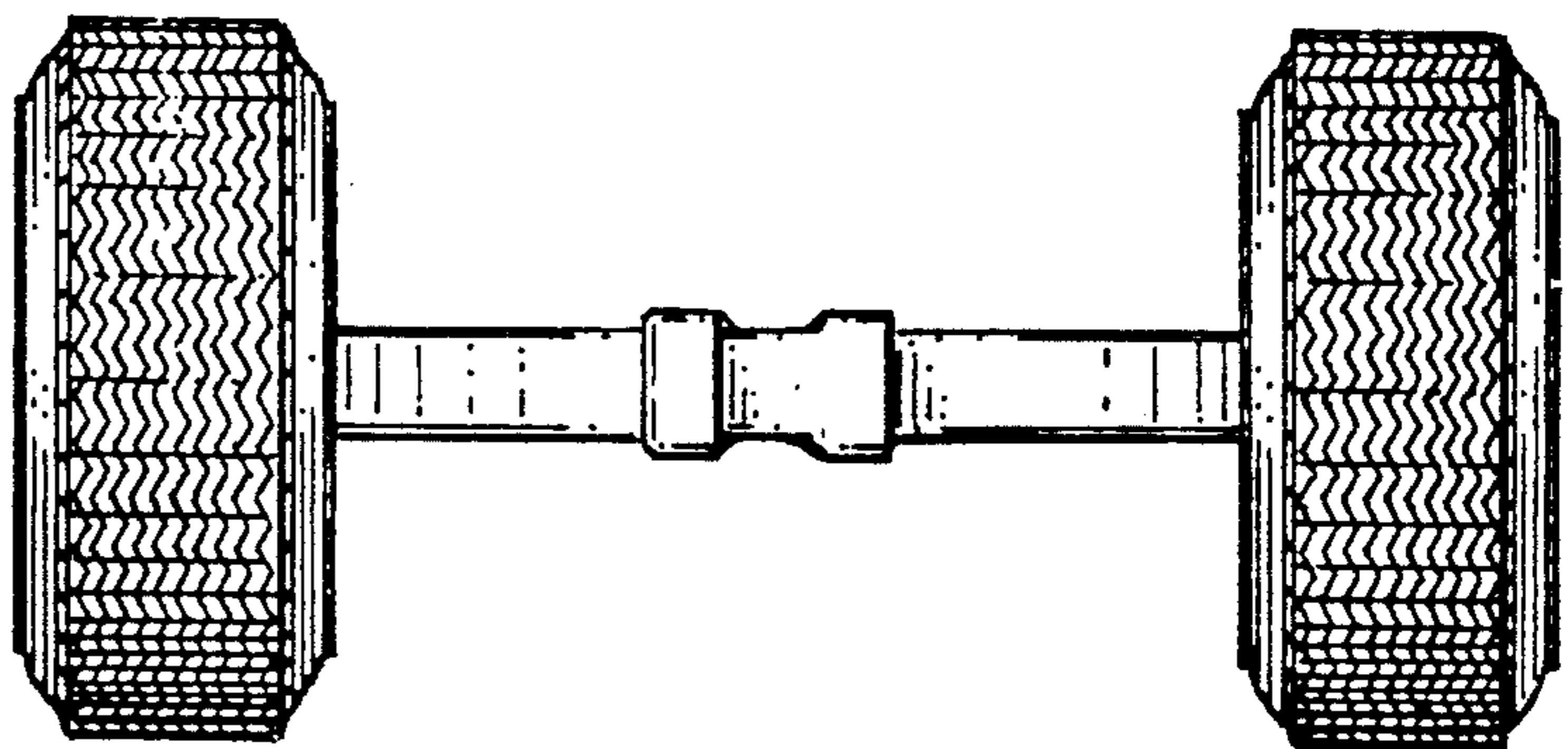


FIG. 4