



US00D346875S

United States Patent [19]

[11] Patent Number: Des. 346,875

Rorke

[45] Date of Patent: ** May 10, 1994

[54] LAMP SHADE

[75] Inventor: Brooks Rorke, Fairfield, Conn.

[73] Assignee: Holmes Products Corp., Milford, Mass.

[**] Term: 14 Years

[21] Appl. No.: 3,289

[22] Filed: Jan. 6, 1993

[52] U.S. Cl. D26/128

[58] Field of Search 362/410, 411, 412, 413, 362/414, 418, 419, 427, 269; D26/60-66, 107, 108, 118, 128, 131

[56] References Cited

U.S. PATENT DOCUMENTS

- D. 63,017 9/1923 Wolter D26/107 X
- D. 74,093 12/1927 Brieloff D26/63
- D. 177,344 4/1956 Mehr D26/62 X

OTHER PUBLICATIONS

Modern Plastics, Jun. 1954, p. 135, Lamp Shade. Domus, Dec. 1988, ADS-p.-85, Table Lamp.

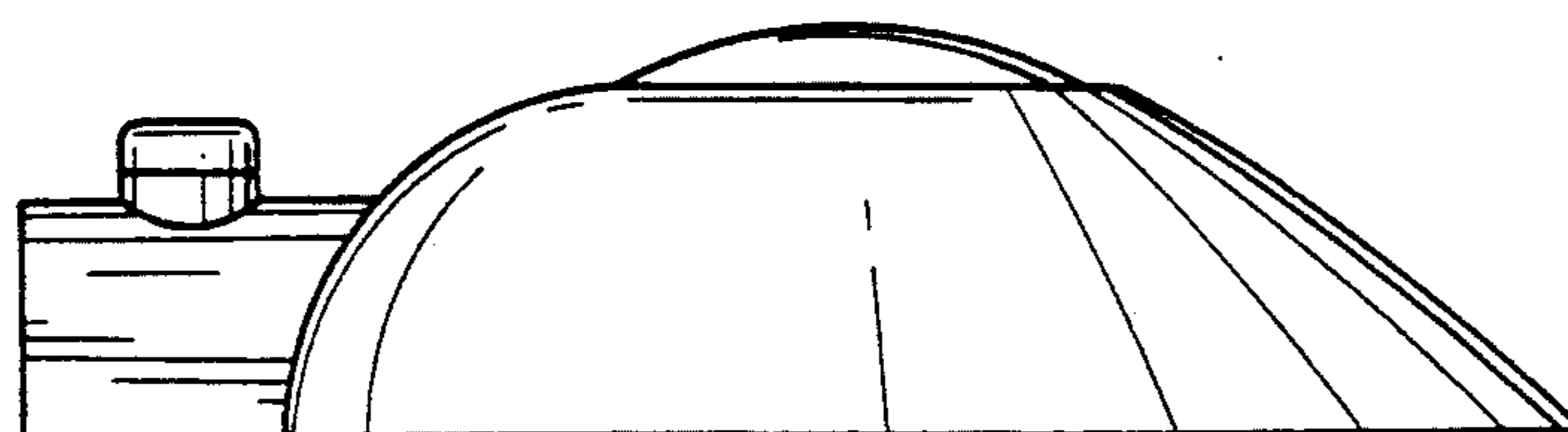
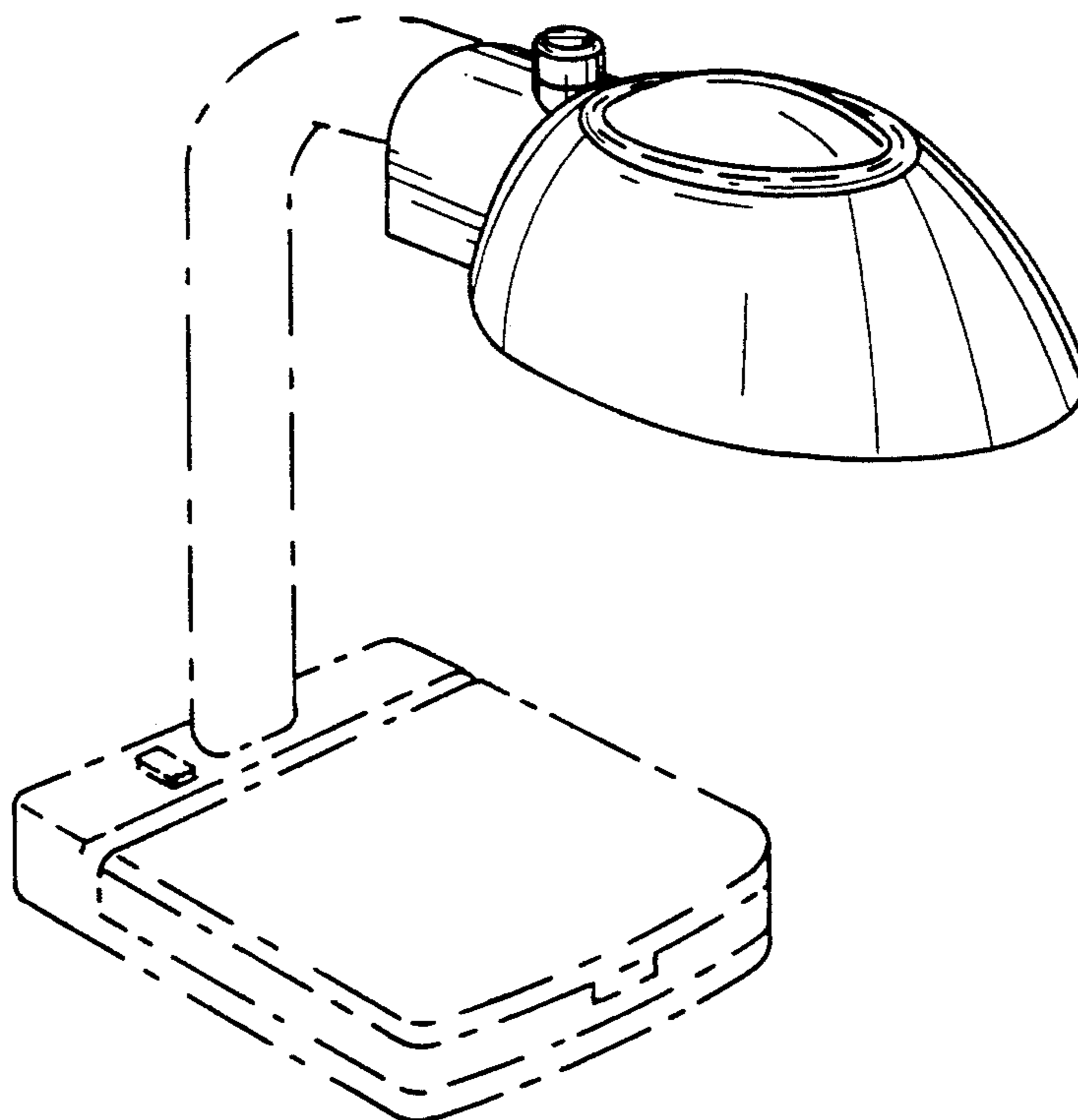
Primary Examiner—Susan J. Lucas
Attorney, Agent, or Firm—Kriegsman & Kriegsman

[57] CLAIM

The ornamental design for a lamp shade, as shown and described.

DESCRIPTION

FIG. 1 is a front, left, top perspective view of a lamp shade showing my new design, the support being shown in broken lines for illustrative purposes only; FIG. 2 is a front elevational view thereof; FIG. 3 is a rear elevational view thereof; FIG. 4 is a right side elevational view thereof; the left side being a mirror image of that shown; FIG. 5 is a top plan view thereof; and, FIG. 6 is a bottom plan view thereof.



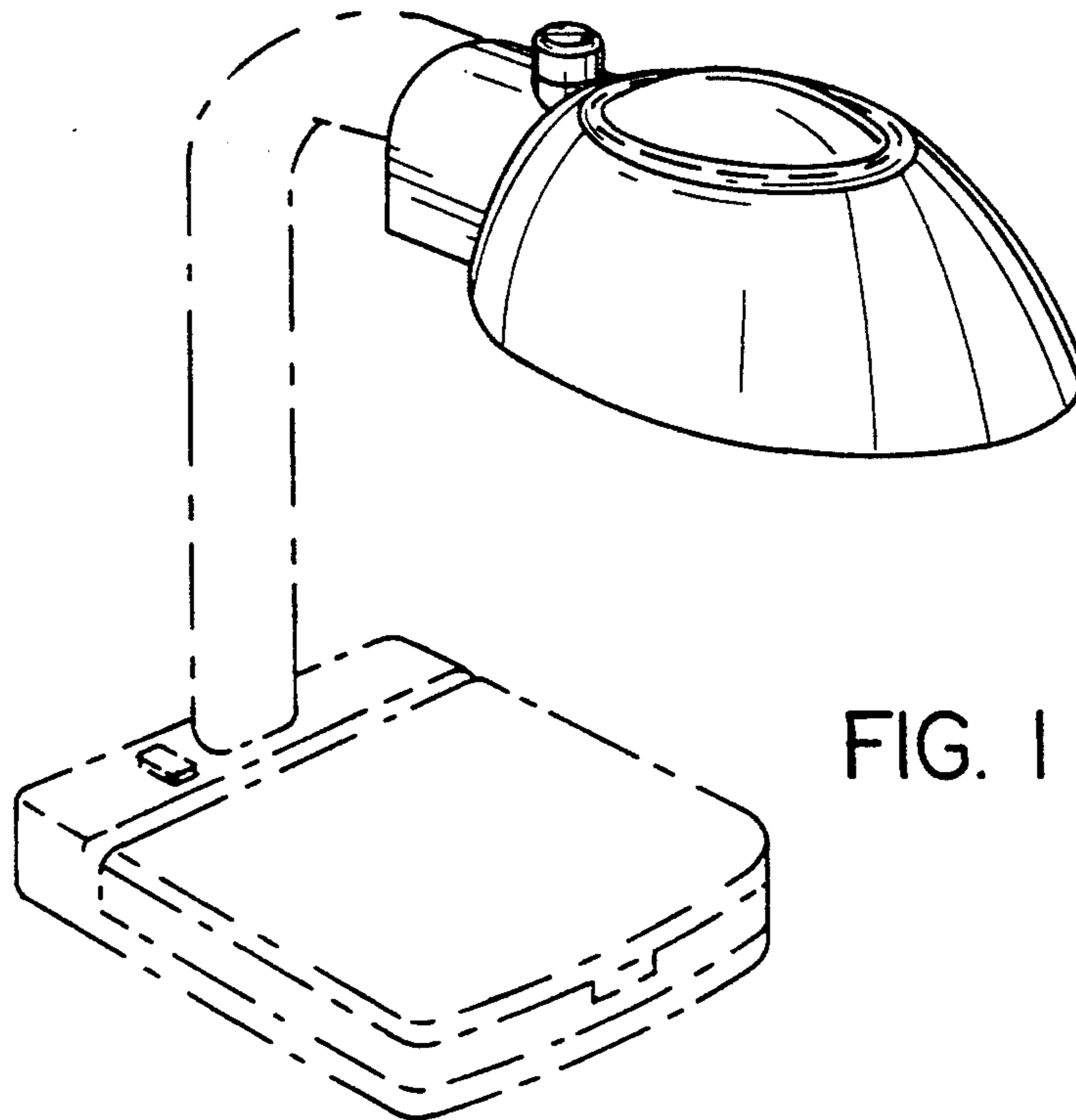


FIG. 1

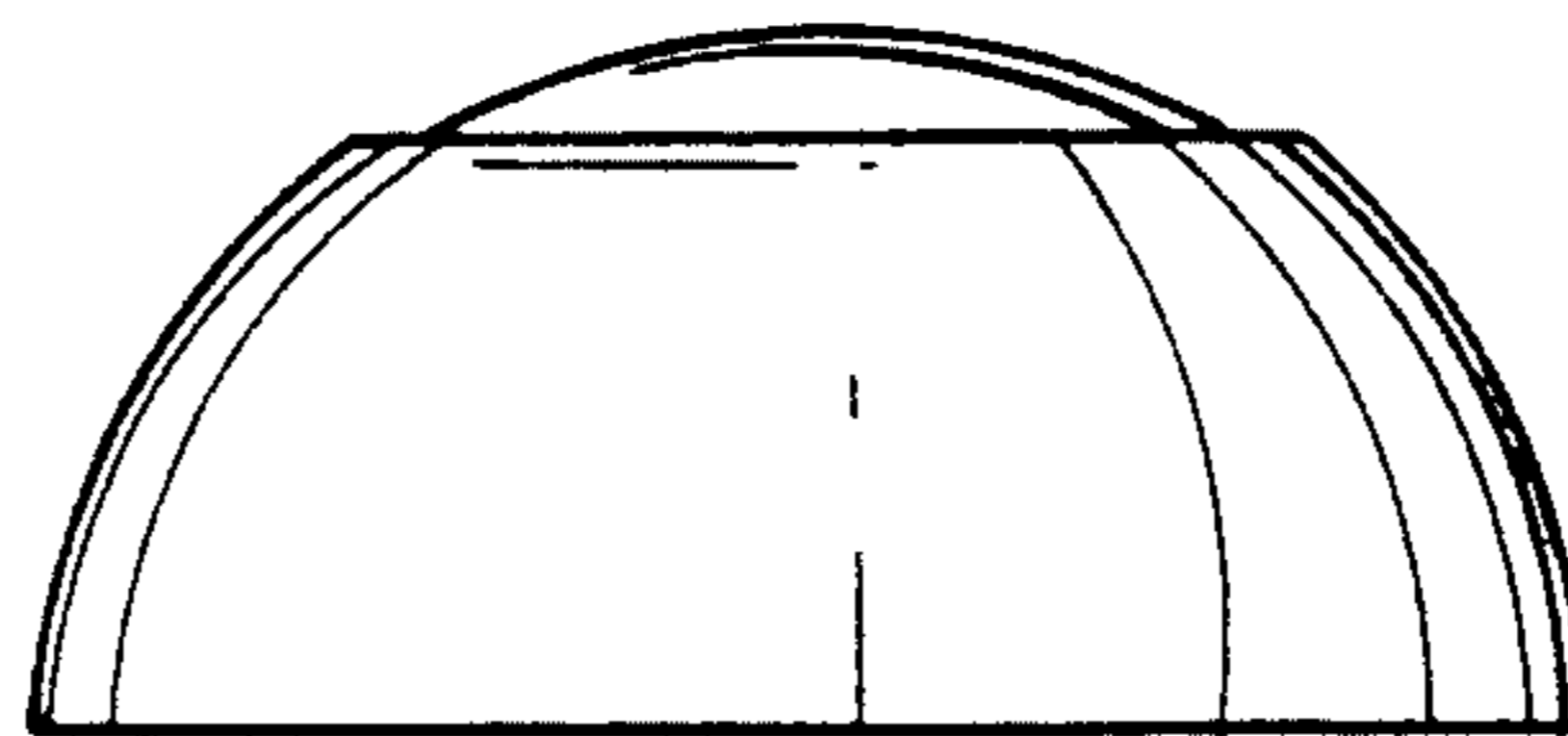


FIG. 2

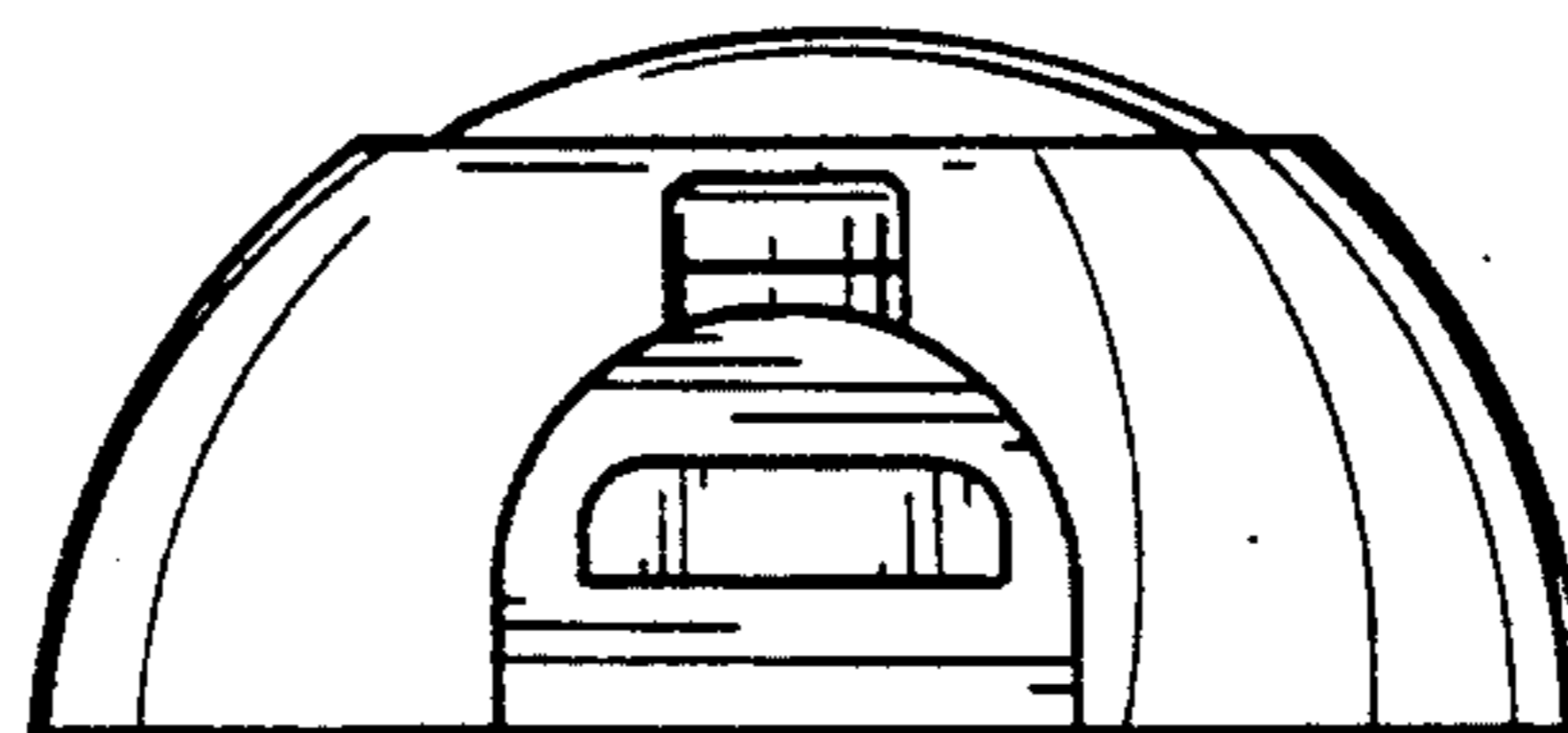


FIG. 3

FIG. 4

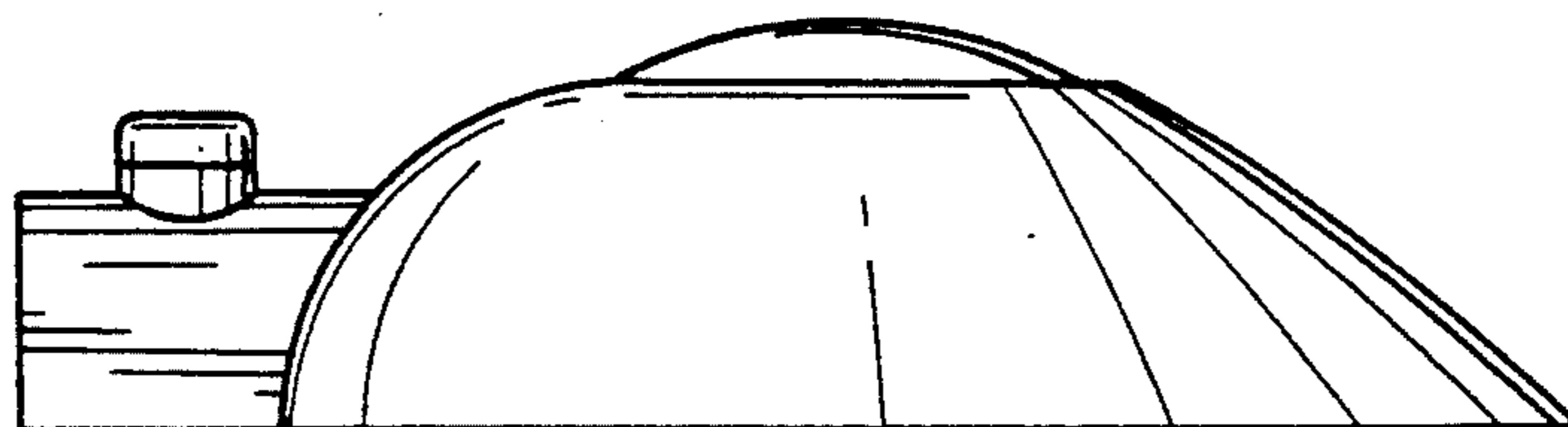


FIG. 5

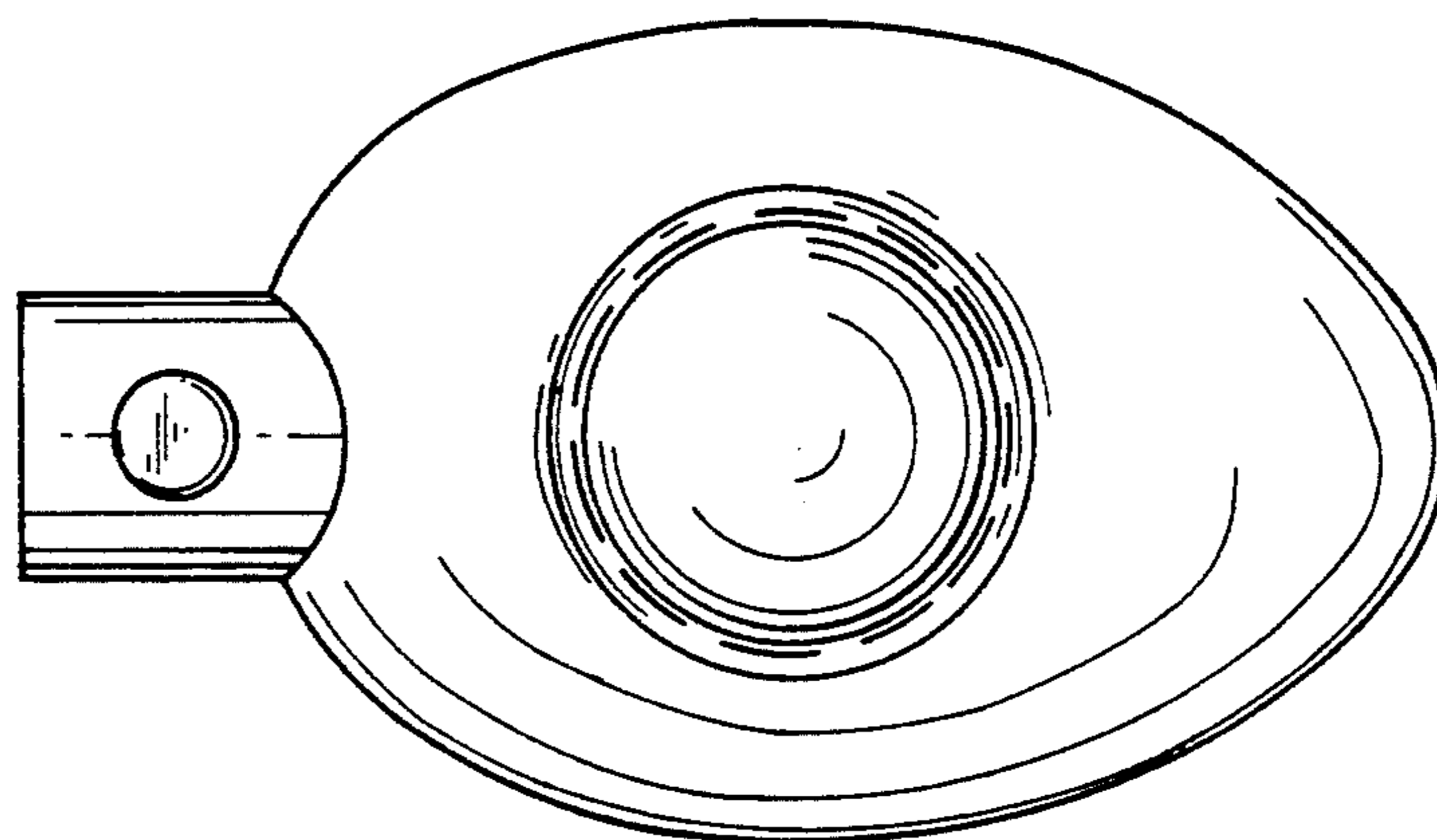


FIG. 6

