



US00D346873S

United States Patent [19]

Frost

[11] Patent Number: **Des. 346,873**

[45] Date of Patent: **** May 10, 1994**

[54] **DECORATIVE SOLAR POWERED
EXTENSION LIGHTING FIXTURE**

[75] Inventor: **John Frost**, Thousand Oaks, Calif.

[73] Assignee: **Siemens Solar Industries
International, Inc.**, Camarillo, Calif.

[**] Term: **14 Years**

[21] Appl. No.: **5,681**

[22] Filed: **Mar. 9, 1993**

[52] U.S. Cl. **D26/67**

[58] Field of Search 362/431, 362, 363, 153,
362/183; D26/67-71

[56] **References Cited**

U.S. PATENT DOCUMENTS

- D. 309,954 8/1990 Chien D26/67
- D. 315,965 4/1991 Frost D26/67

4,841,416 6/1989 Doss 362/431

OTHER PUBLICATIONS

Hong Kong Enterprise, Jun.-1991, p. 249, Solar Street-light #WD-7702.

Primary Examiner—Susan J. Lucas
Attorney, Agent, or Firm—Donald M. Boles

[57] **CLAIM**

The ornamental design for a decorative solar powered extension lighting fixture, as shown and described.

DESCRIPTION

FIG. 1 is a perspective view of a decorative solar powered extension lighting fixture;
 FIG. 2 is a top plan view;
 FIG. 3 is an elevational view all sides being identical; and,
 FIG. 4 is a bottom plan view.

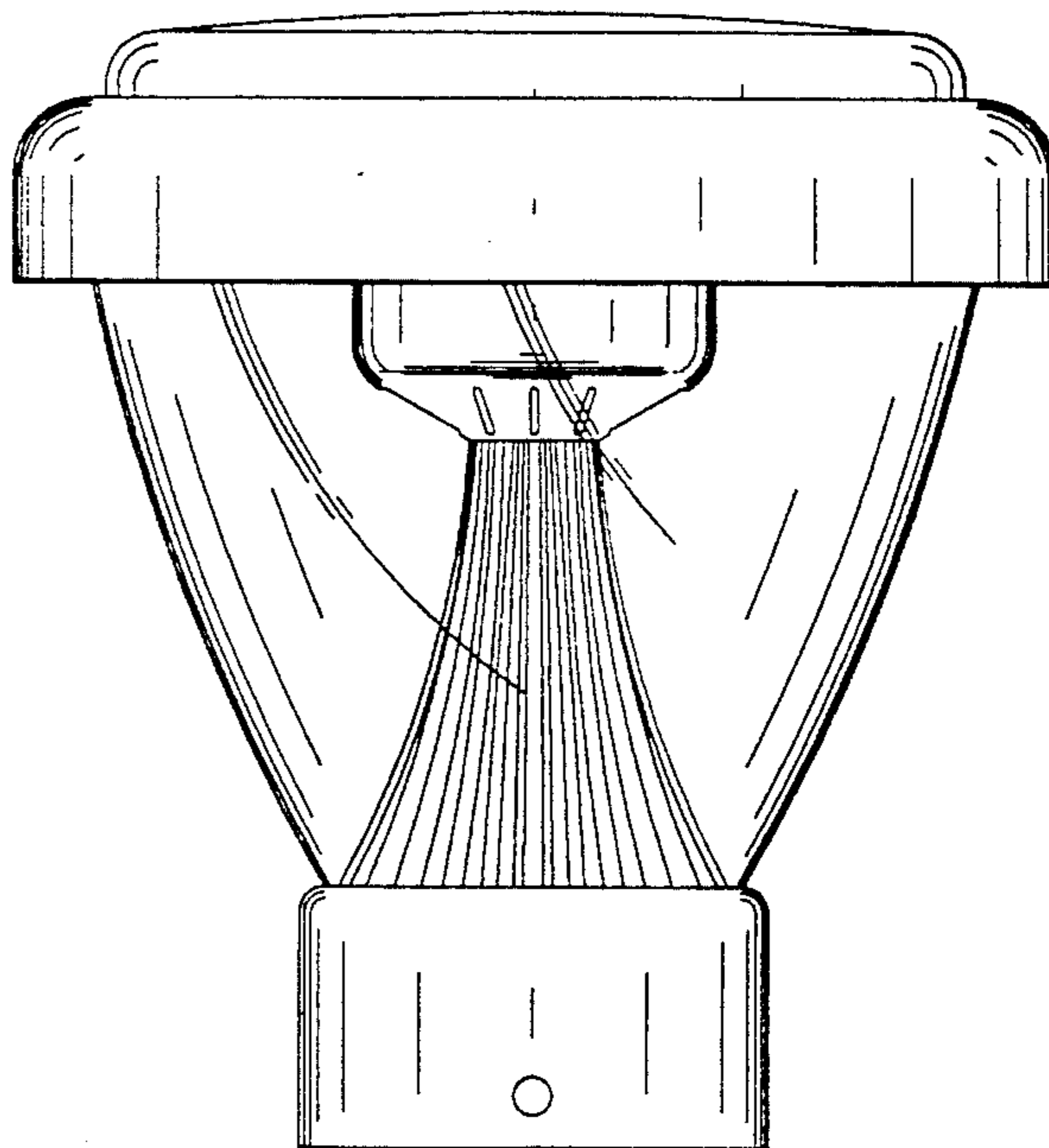
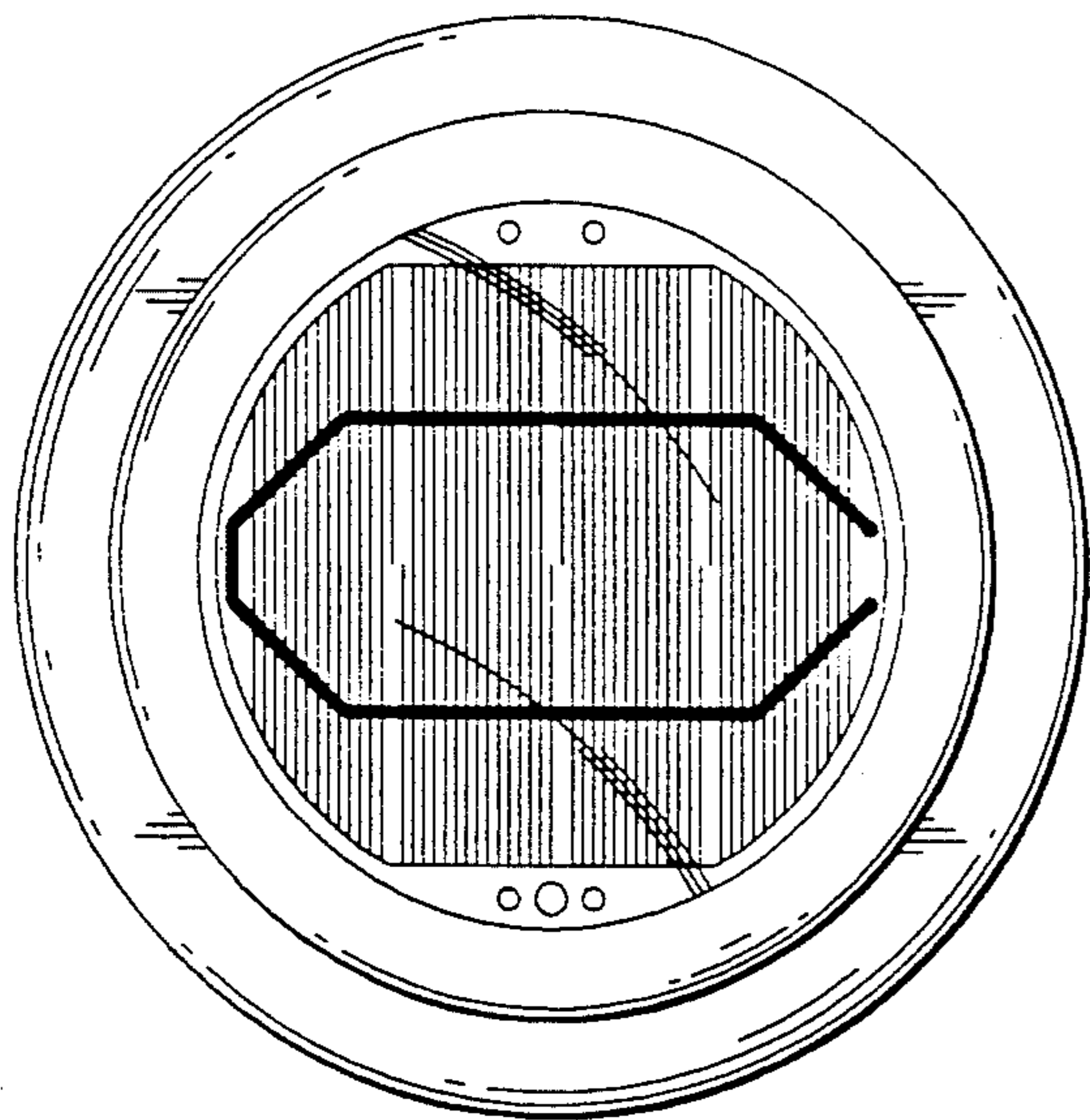


FIG. 1

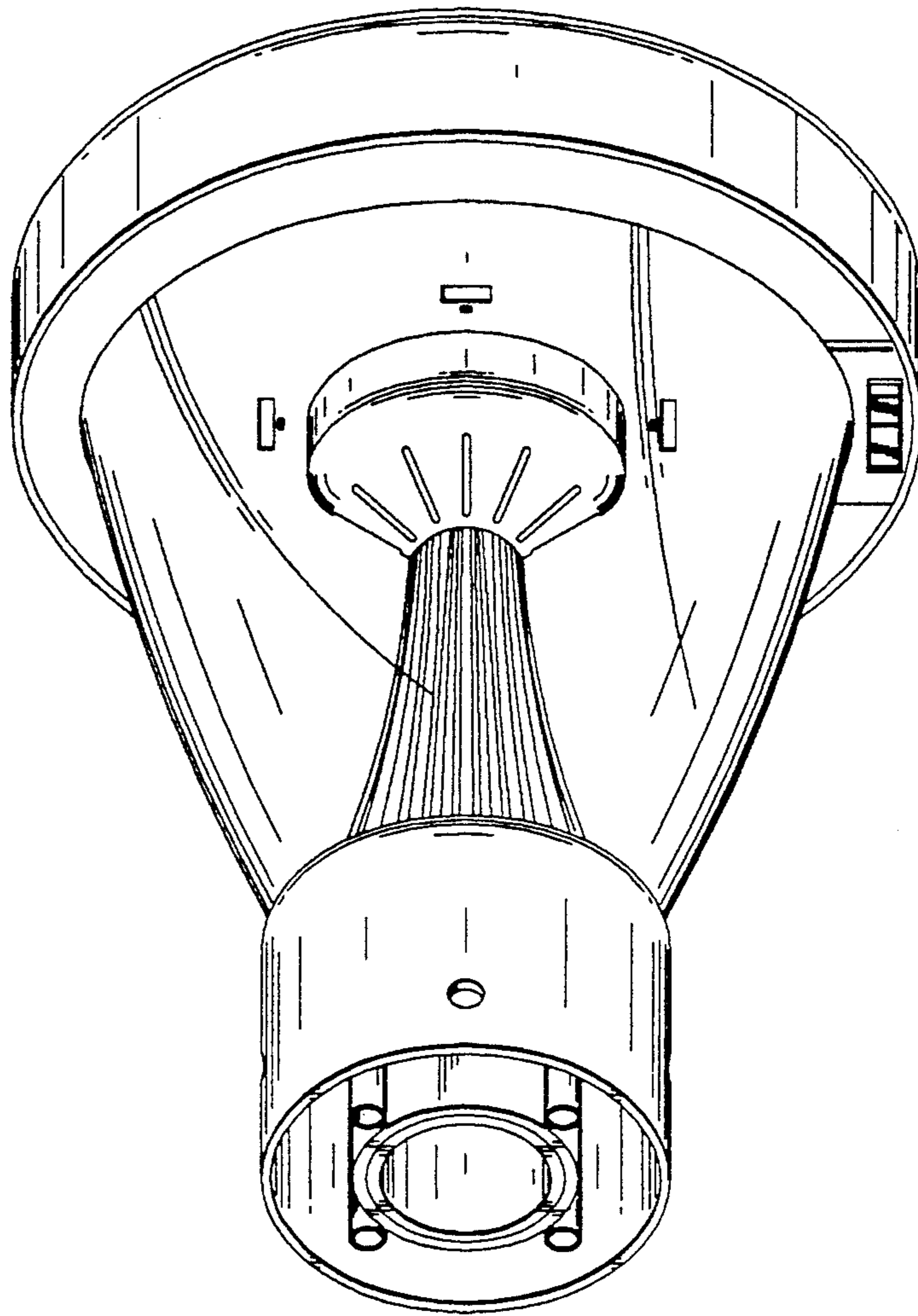


FIG. 2

