



US00D346872S

United States Patent [19]
Gecchelin

[11] **Patent Number: Des. 346,872**

[45] **Date of Patent: ** May 10, 1994**

[54] **ADJUSTABLE LAMP HOLDER**

[75] **Inventor: Bruno Gecchelin, Milan, Italy**

[73] **Assignee: iGuzzini Illuminazione S.p.A.,
Recanati, Italy**

[**] **Term: 14 Years**

[21] **Appl. No.: 493,225**

[22] **Filed: Mar. 14, 1990**

[30] **Foreign Application Priority Data**

Sep. 18, 1989 [IT] Italy 21748/89[U]

[52] **U.S. Cl. D26/63**

[58] **Field of Search 362/362, 147, 267, 275,
362/285, 418, 419, 427; D26/61, 63, 64, 65, 66**

[56] **References Cited**

FOREIGN PATENT DOCUMENTS

266167 3/1966 Australia 362/418

OTHER PUBLICATIONS

Domus, Oct.-1988, p. Ads-p. 86, Spotlight.
Form #85, 1979, p. 55, Spotlight.

Primary Examiner—Susan J. Lucas
Attorney, Agent, or Firm—Hedman, Gibson & Costigan

[57] **CLAIM**

The ornamental design for an adjustable lamp holder, as shown and described.

DESCRIPTION

FIG. 1 is a perspective view of an adjustable lamp holder showing my new design;
FIG. 2 is a front elevational view thereof;
FIG. 3 is a rear elevational view thereof;
FIG. 4 is a left side elevational view thereof;
FIG. 5 is a right side elevational view thereof;
FIG. 6 is a top plan view thereof; and,
FIG. 7 is a bottom plan view thereof.

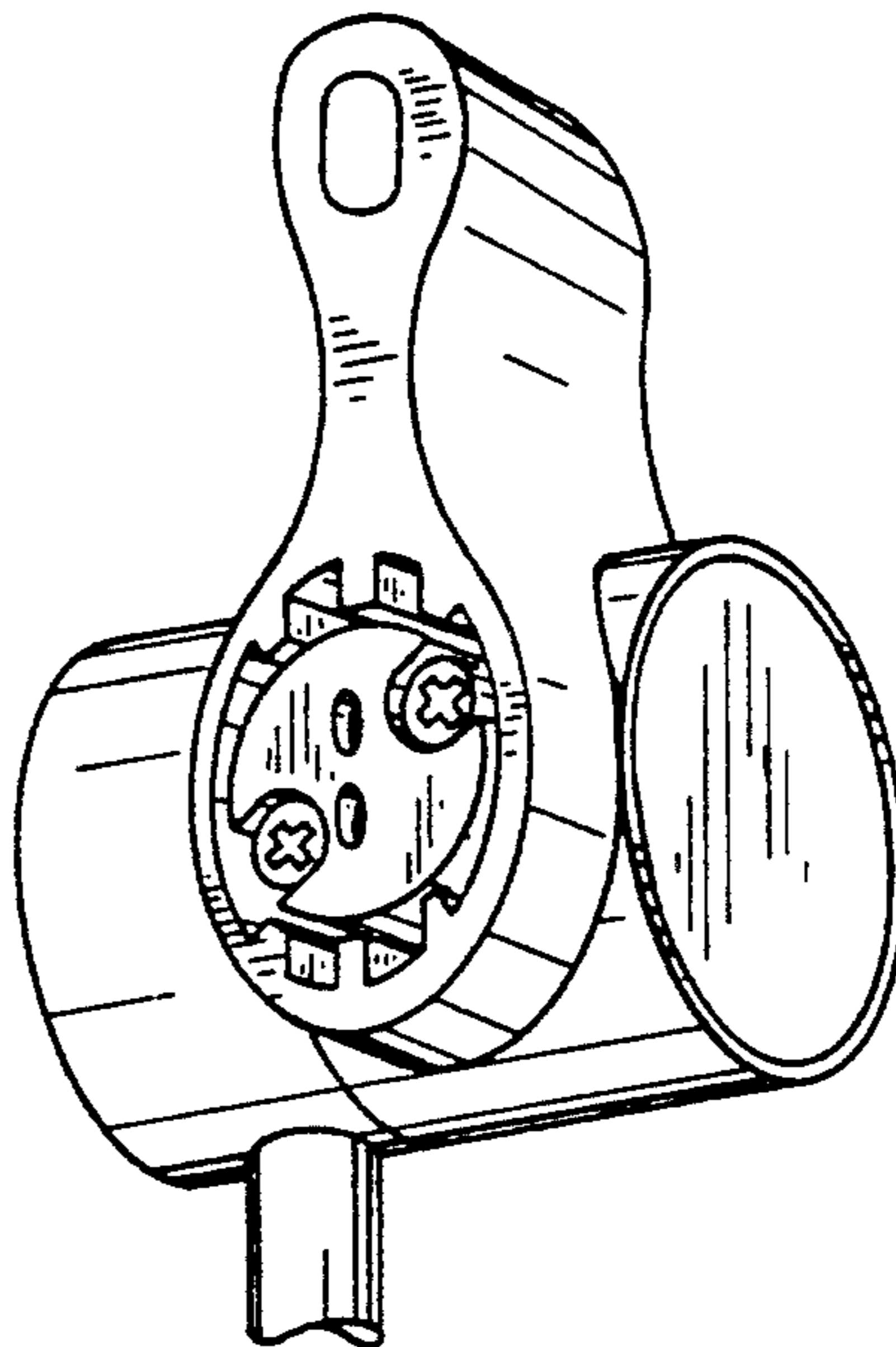


FIG. 1

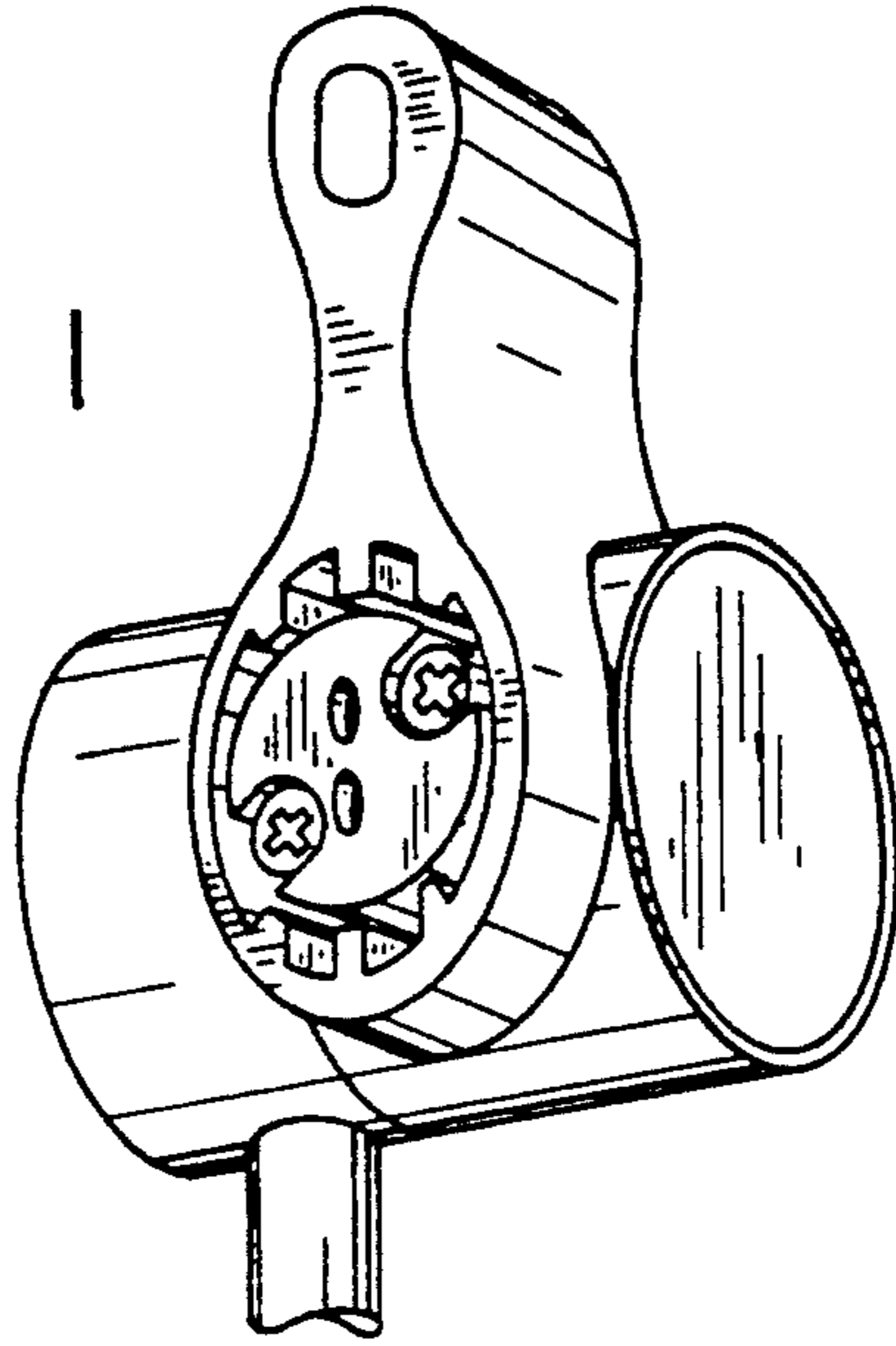


FIG. 2

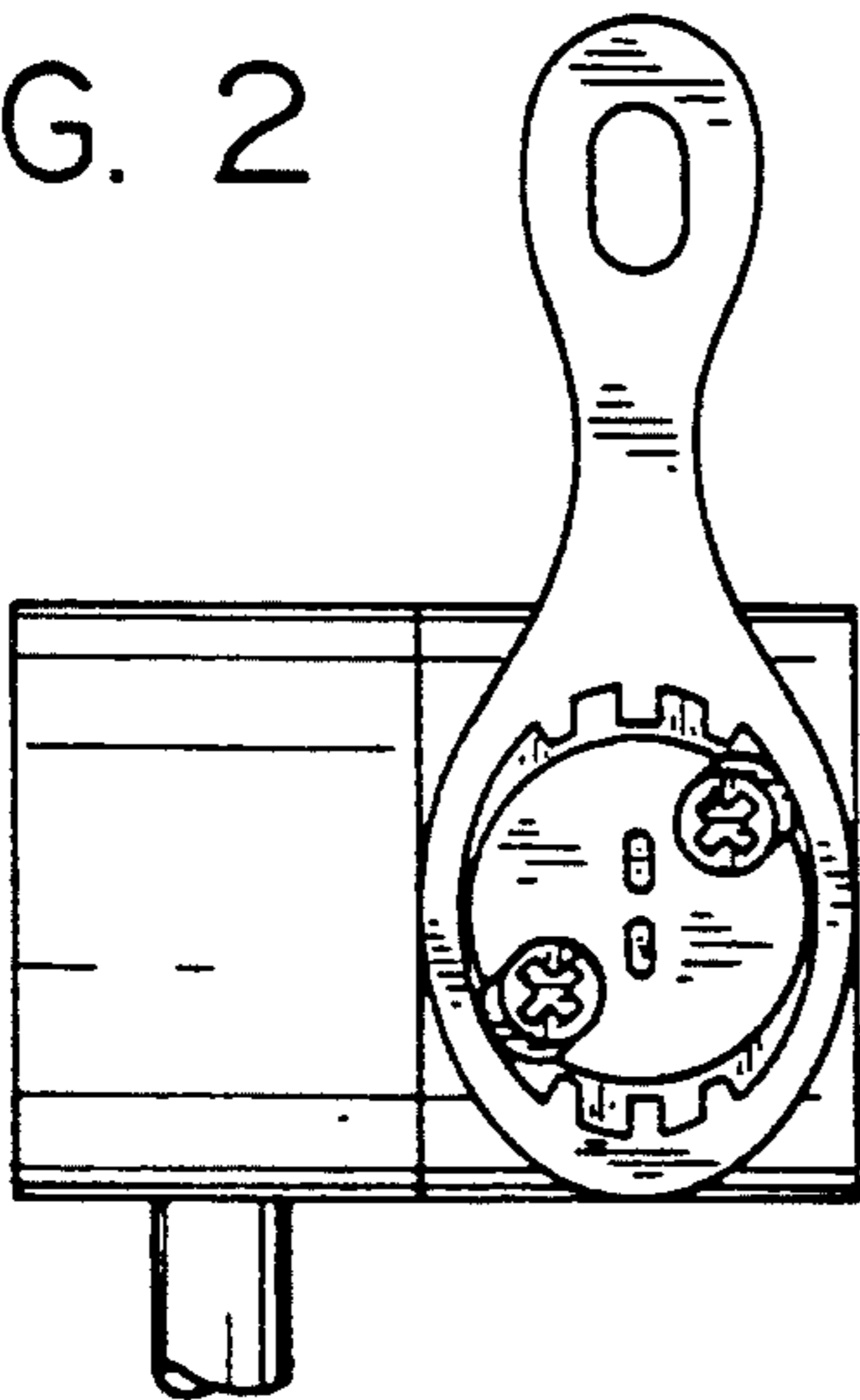


FIG. 3

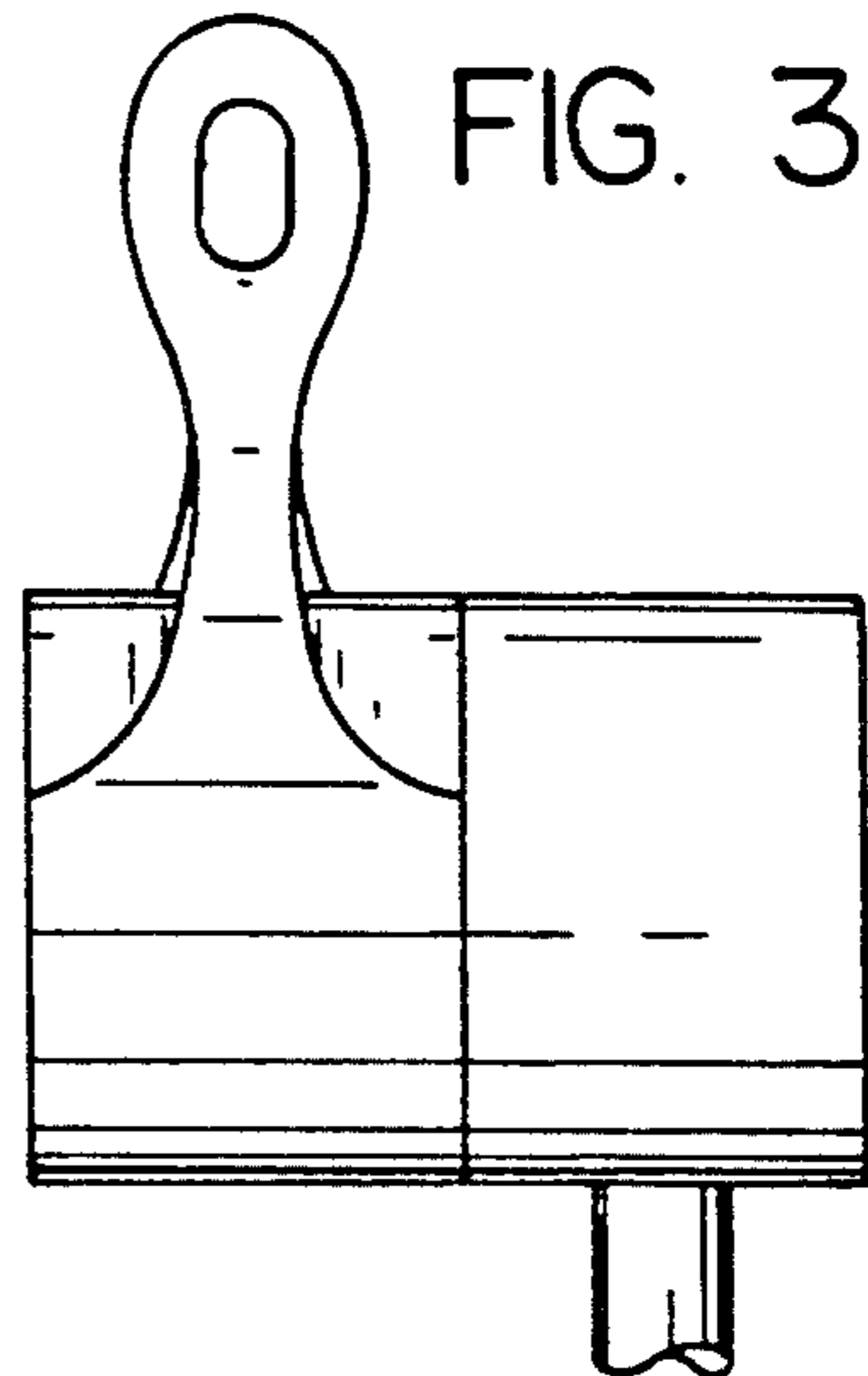


FIG. 4

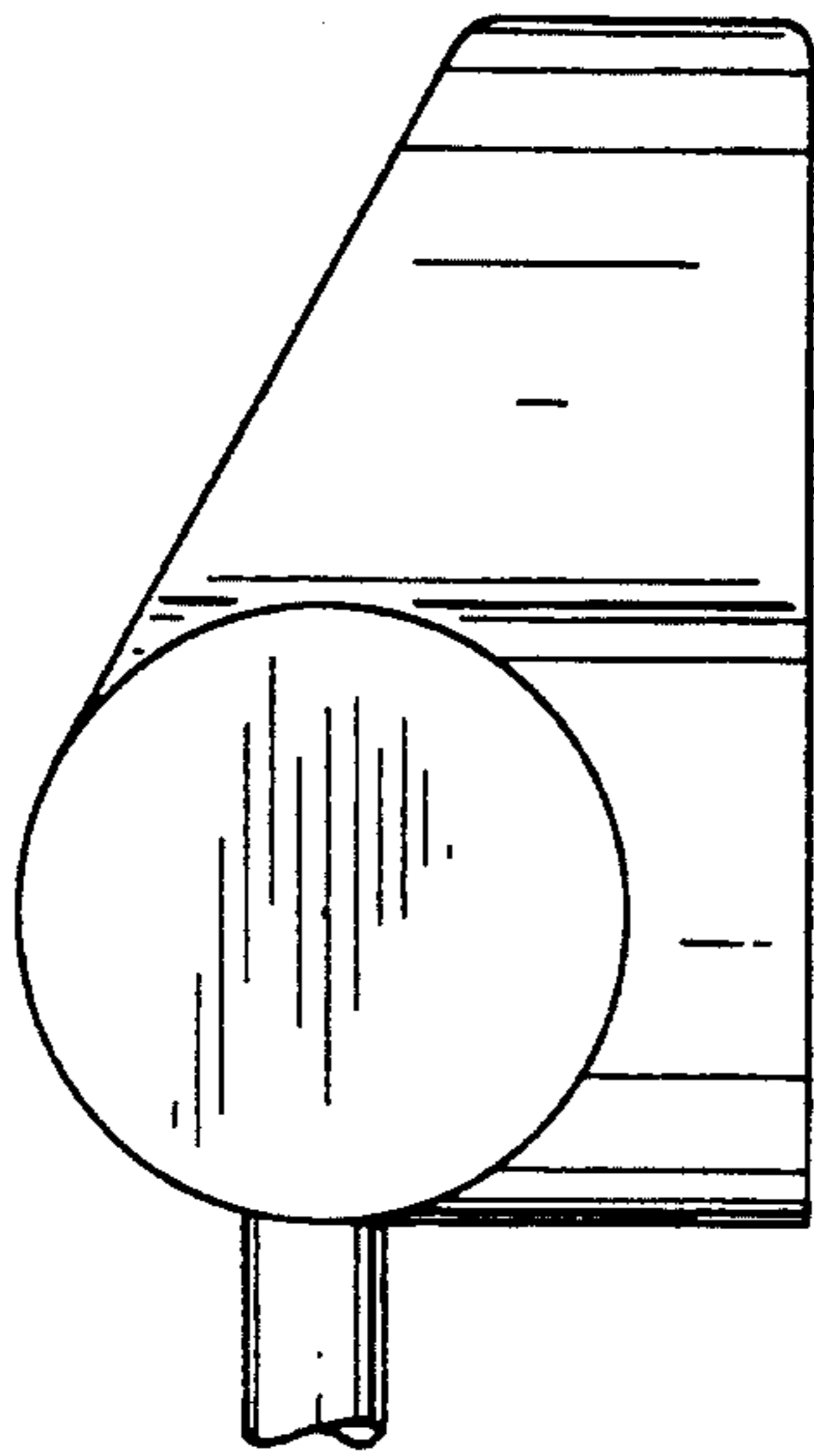


FIG. 5

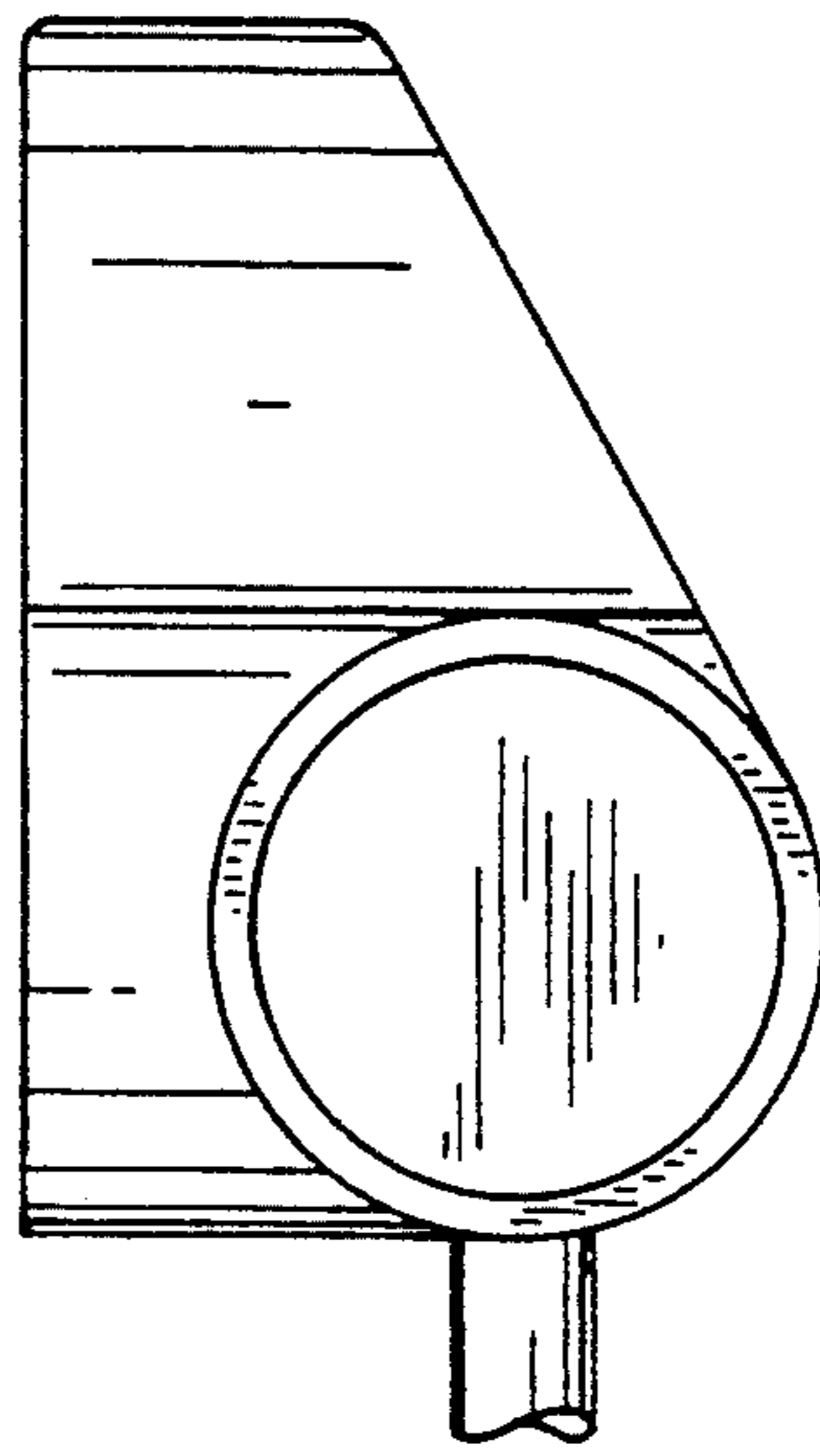


FIG. 6

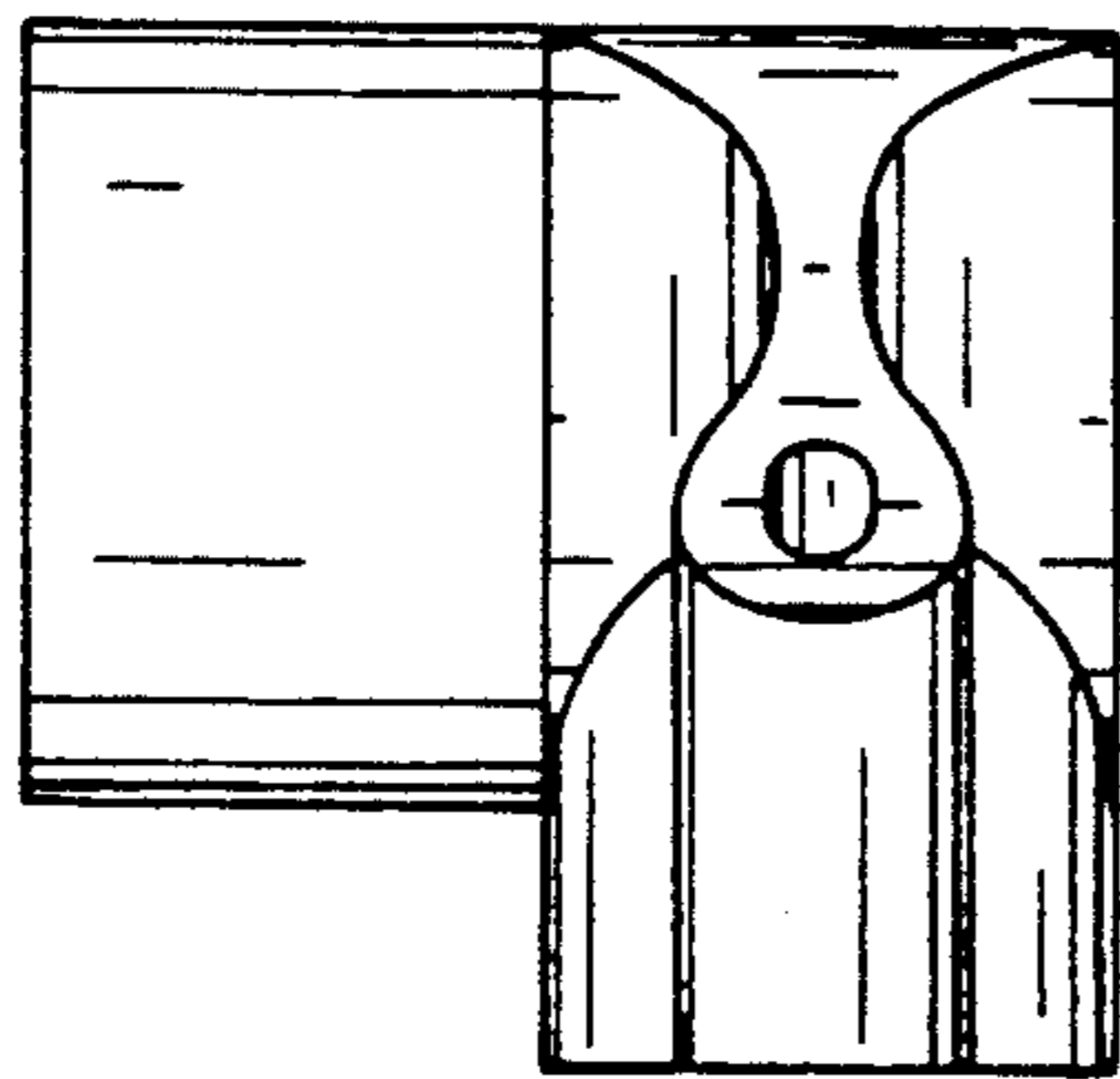


FIG. 7

