



US00D346867S

United States Patent [19]

[11] Patent Number: **Des. 346,867**

Montilla

[45] Date of Patent: **** May 10, 1994**

- [54] **KIOSK**
- [75] Inventor: **Fernando A. Montilla**, Ann Arbor, Mich.
- [73] Assignee: **Kiosk Information Systems, Inc.**, Ann Arbor, Mich.
- [**] Term: **14 Years**
- [21] Appl. No.: **926,805**
- [22] Filed: **Aug. 7, 1992**
- [52] U.S. Cl. **D25/16; D6/481**
- [58] Field of Search **D6/481, 419; 52/36.1, 52/79.1; D25/16, 15.1, 7**

4,174,594 11/1979 Panzini D6/481

OTHER PUBLICATIONS

Meson's Mobili; Armonia & Funzion; Ab:tare; Mar. 1981, p. 114.
 DW Digest; Jan. 1959; p. 60; Stone bench & cage displayer; Display Worlds.
 Display World; May 1952; Wishing well easily built, low cost unit.
 Fast Service Magazine; May 1980; p. 26; The Great Hot Dog Experience Unit; photo top page.

Primary Examiner—Cathy Anne MacCormac
Attorney, Agent, or Firm—Dykema Gossett

[56] References Cited

U.S. PATENT DOCUMENTS

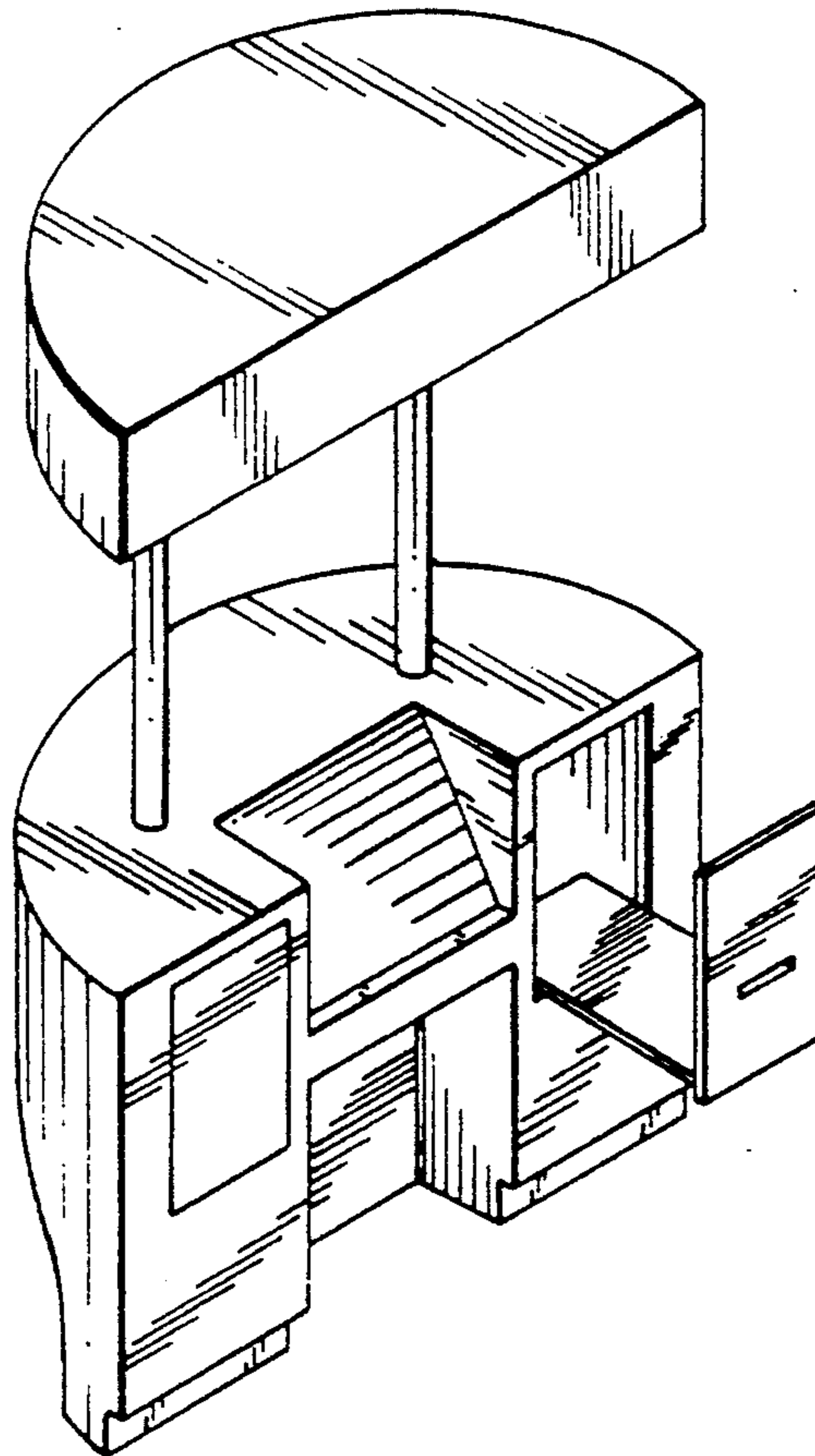
D. 105,764	8/1937	Hunter	D25/16
D. 139,893	1/1945	Roberts et al.	D6/481
D. 144,120	3/1946	Livon	D6/481
D. 175,123	7/1955	Maywell	D6/419
D. 178,318	7/1956	Walker	D6/419
D. 210,133	2/1968	Miller	D6/419
D. 262,912	2/1982	Therien et al.	D25/1
D. 277,137	1/1985	van der Upwich	D25/1
D. 287,688	1/1987	Mortimer	D6/481
D. 328,206	7/1992	Lewis	D6/481

[57] CLAIM

The ornamental design for a kiosk, as shown and described.

DESCRIPTION

FIG. 1 is a top front perspective view of my design for a kiosk showing a drawer in open position; FIG. 2 is a top rear perspective view thereof; FIG. 3 is a front view thereof; FIG. 4 is a rear view thereof; and, FIG. 5 is a left side view with the right side being a mirror image of the side showing.



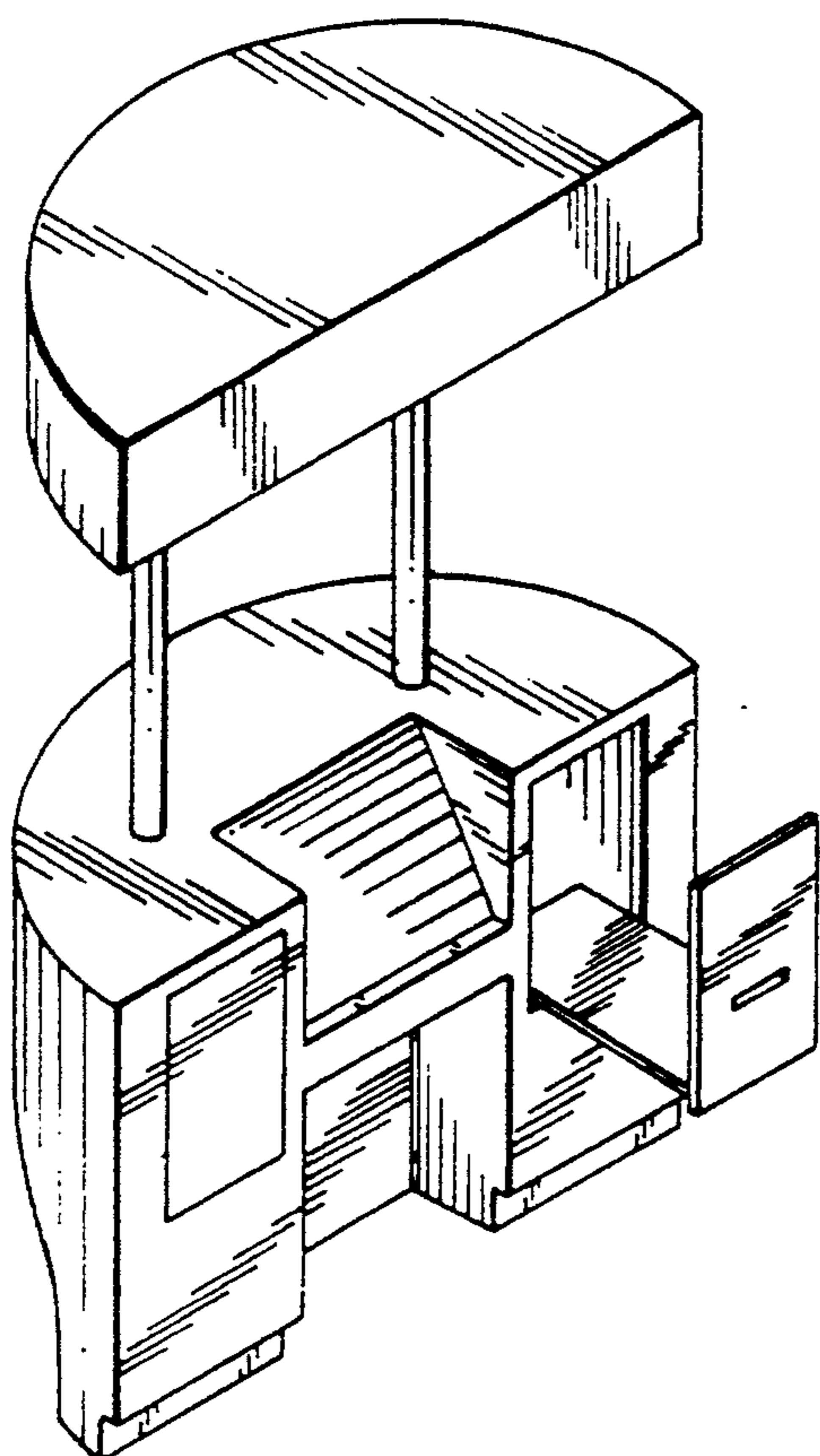


FIG. 1

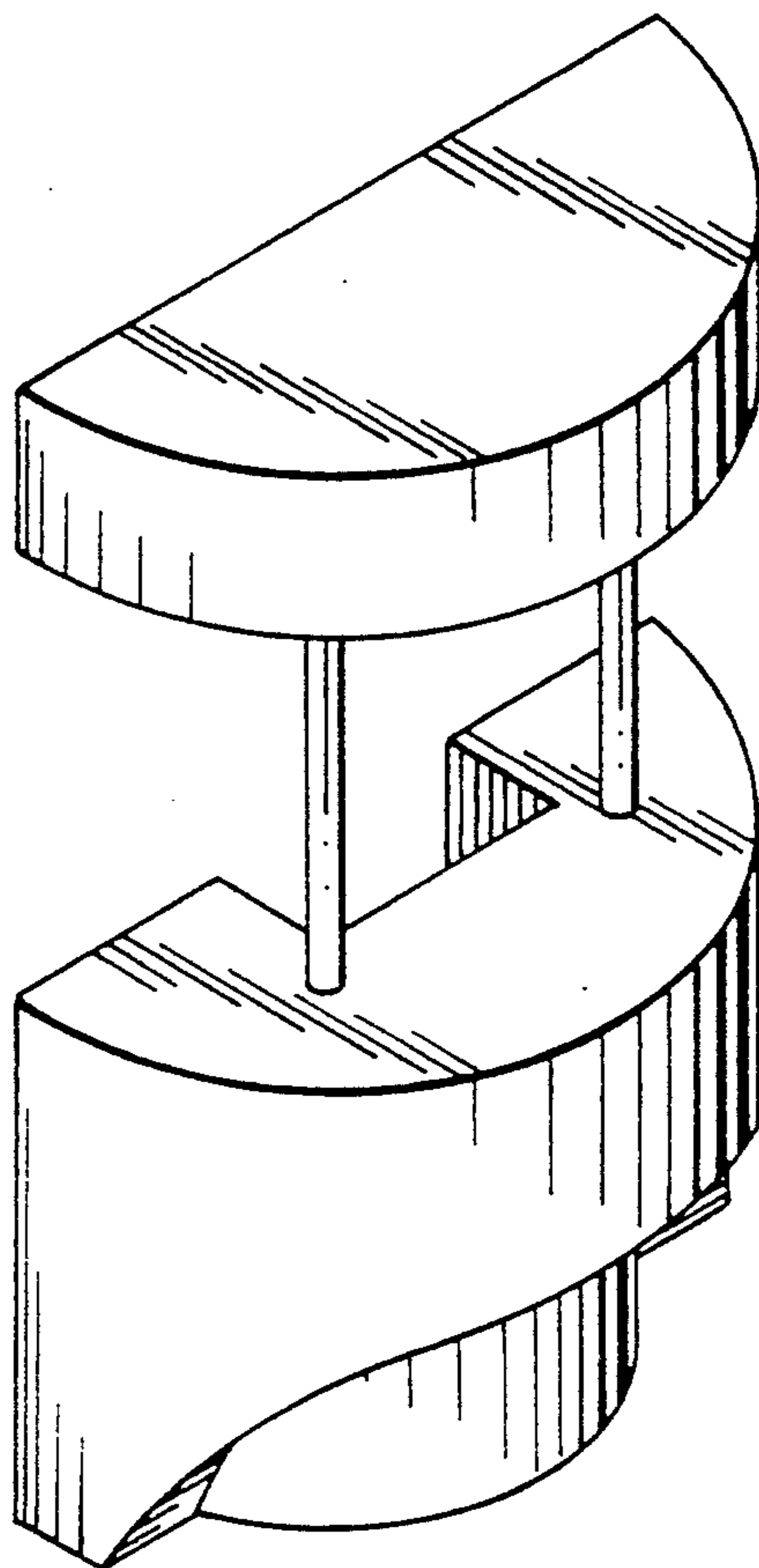


FIG. 2

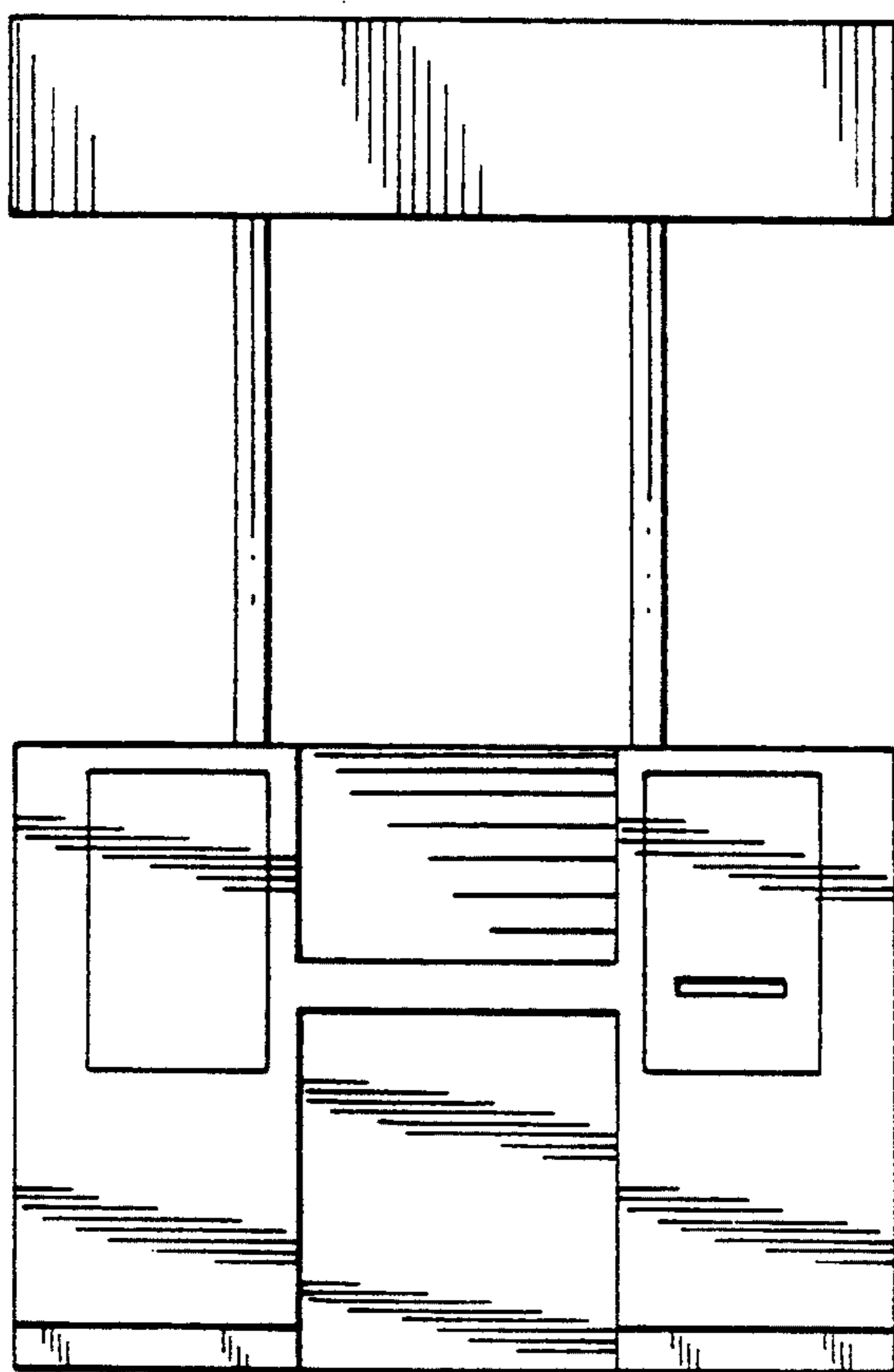


FIG. 3

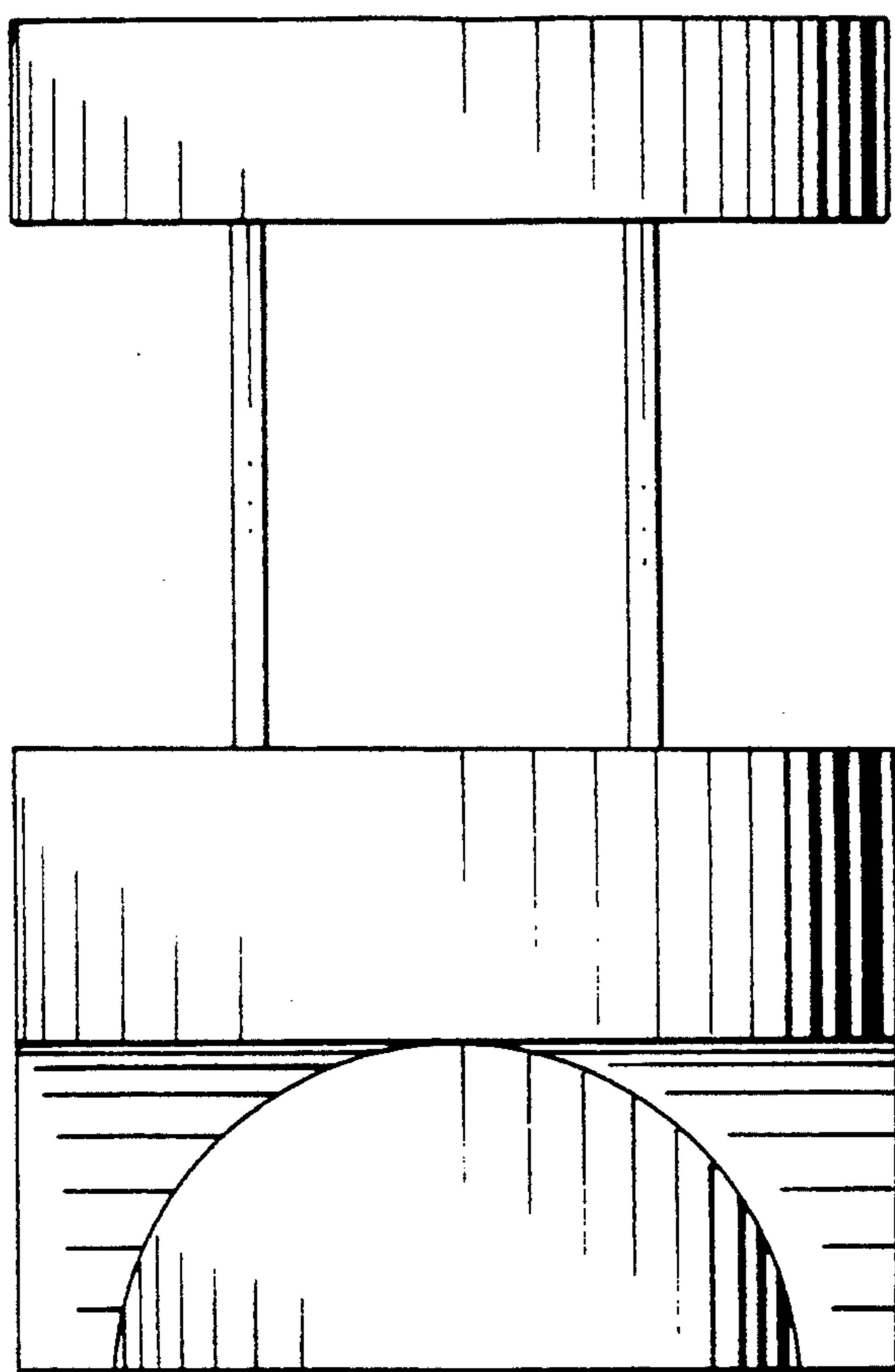


FIG. 4

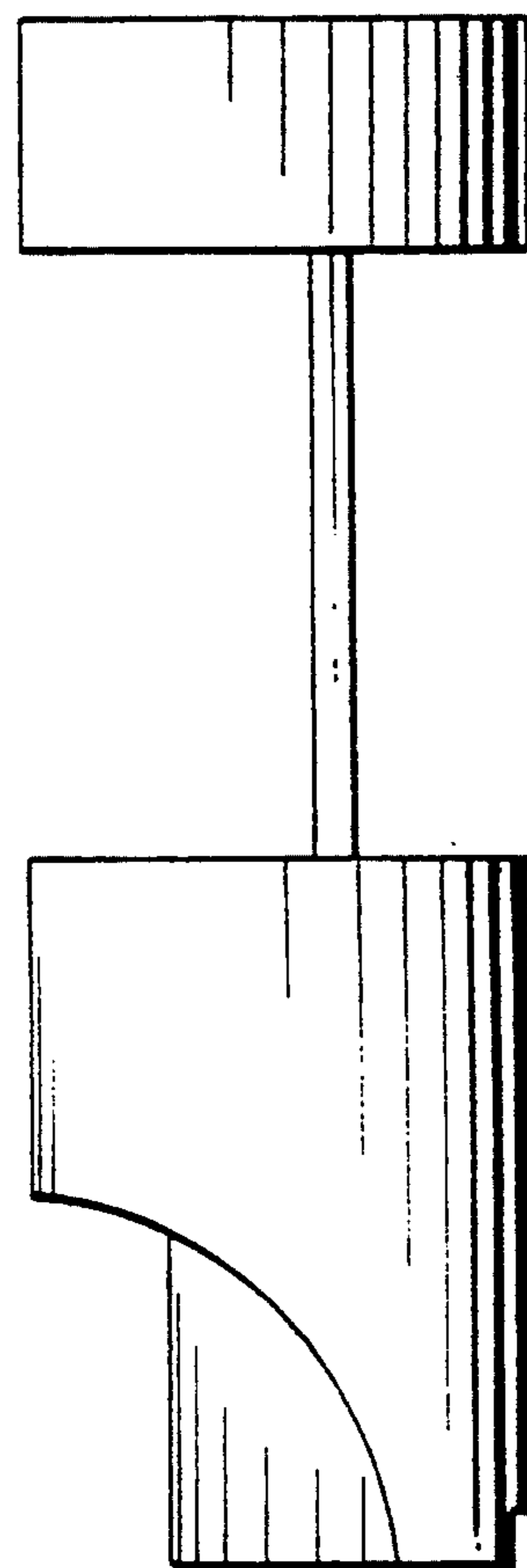


FIG. 5