



US00D346864S

# United States Patent [19]

[11] Patent Number: **Des. 346,864**

Reneau

[45] Date of Patent: **\*\* May 10, 1994**

## [54] HYPERBARIC CHAMBER

[76] Inventor: **Raymond P. Reneau**, 701 N. St. Mary's, #27, San Antonio, Tex. 78205

[\*\*] Term: **14 Years**

[21] Appl. No.: **6,305**

[22] Filed: **Mar. 25, 1993**

[52] U.S. Cl. .... **D24/164; D10/83**

[58] Field of Search ..... 128/205.26, 202.12, 128/30; 405/192; 114/335, 120, 178; 220/319, 323; D10/83, 84, 86, 85, 46; D24/164

## [56] References Cited

### U.S. PATENT DOCUMENTS

52,426	9/1918	Blanchard	.....	D24/164 X
D. 88,979	1/1933	Mortrude, Jr.	.....	D24/164 X
D. 208,744	9/1967	Waine	.....	D24/164
D. 258,084	1/1981	Weingarten	.....	D24/164
4,727,870	3/1988	Krasle	.....	128/202.12
4,817,610	4/1989	Lee	.....	D10/83 X

## OTHER PUBLICATIONS

Perry Baromedical Services brochure entitled "SIGMA I-Monoplace Hyperbaric System", (unknown date).  
Sechrist Industries, Inc. brochure entitled "Sechrist Monoplace Hyperbaric Systems", P/N 100028, rev. O (unknown date).

Reneau, Inc. brochure entitled "The Reneau Unit", 1983.

*Primary Examiner*—Alan P. Douglas

*Assistant Examiner*—Antoine O. Davis

*Attorney, Agent, or Firm*—Glaser, Griggs & Schwartz

## [57] CLAIM

The ornamental design for a hyperbaric chamber, as shown and described.

## DESCRIPTION

FIG. 1 is a perspective view of a hyperbaric chamber showing my new design;

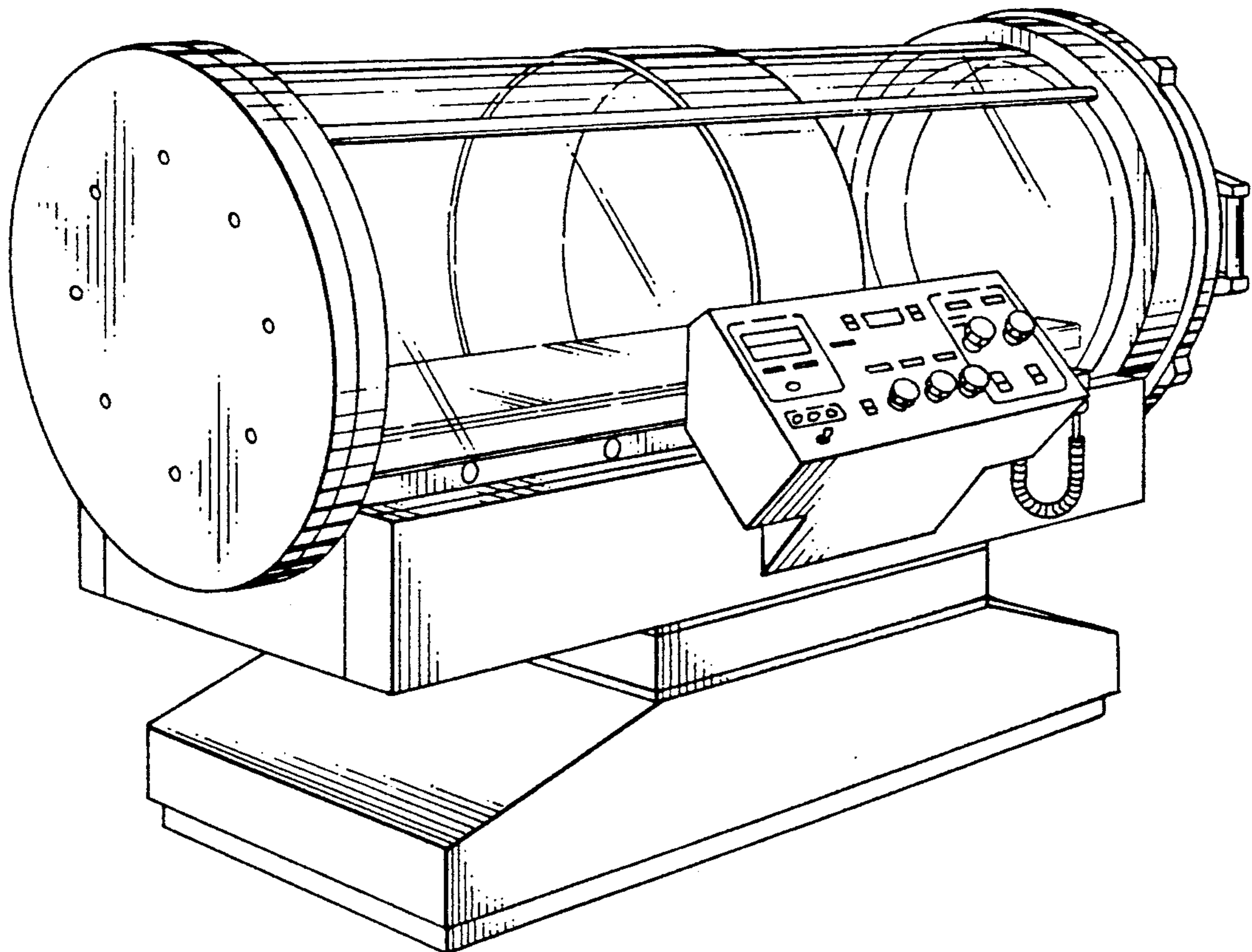
FIG. 2 is a front elevational view thereof;

FIG. 3 is a side elevational thereof, as viewed along the lines 3—3 of FIG. 2;

FIG. 4 is a side elevational thereof, as viewed along the lines 4—4 of FIG. 2;

FIG. 5 is a top plan view thereof; and,

FIG. 6 is a rear elevational view thereof.



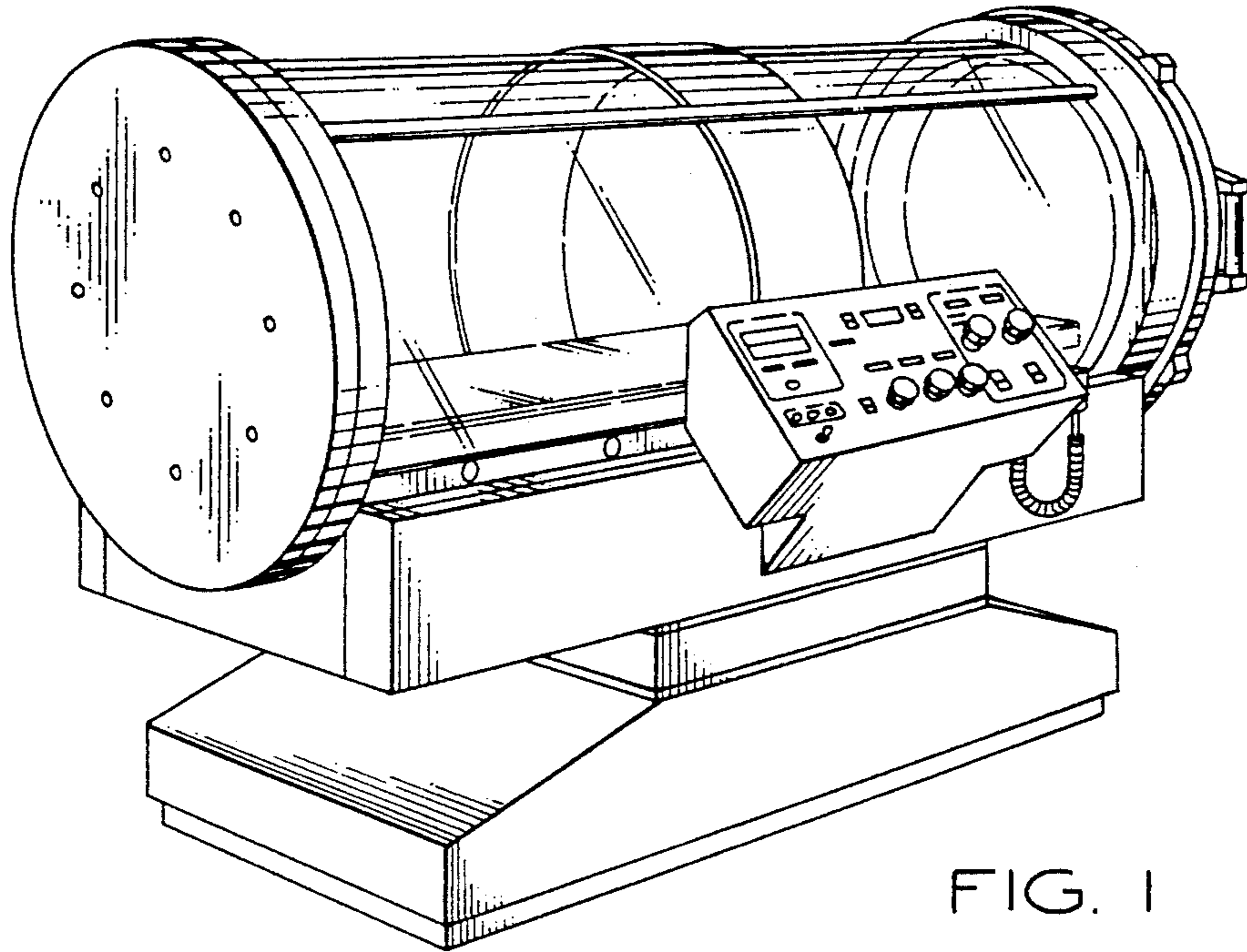


FIG. 1

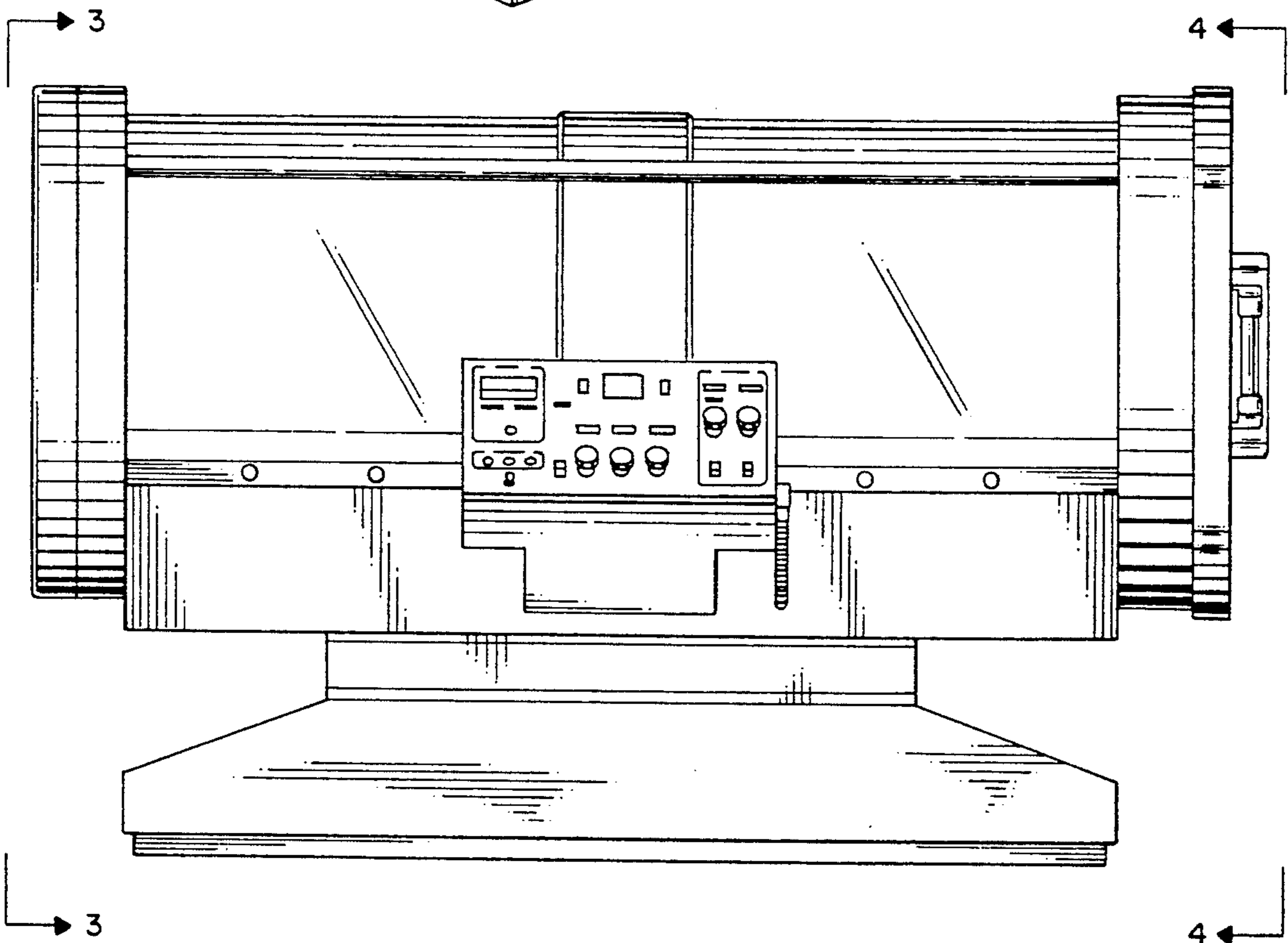


FIG. 2

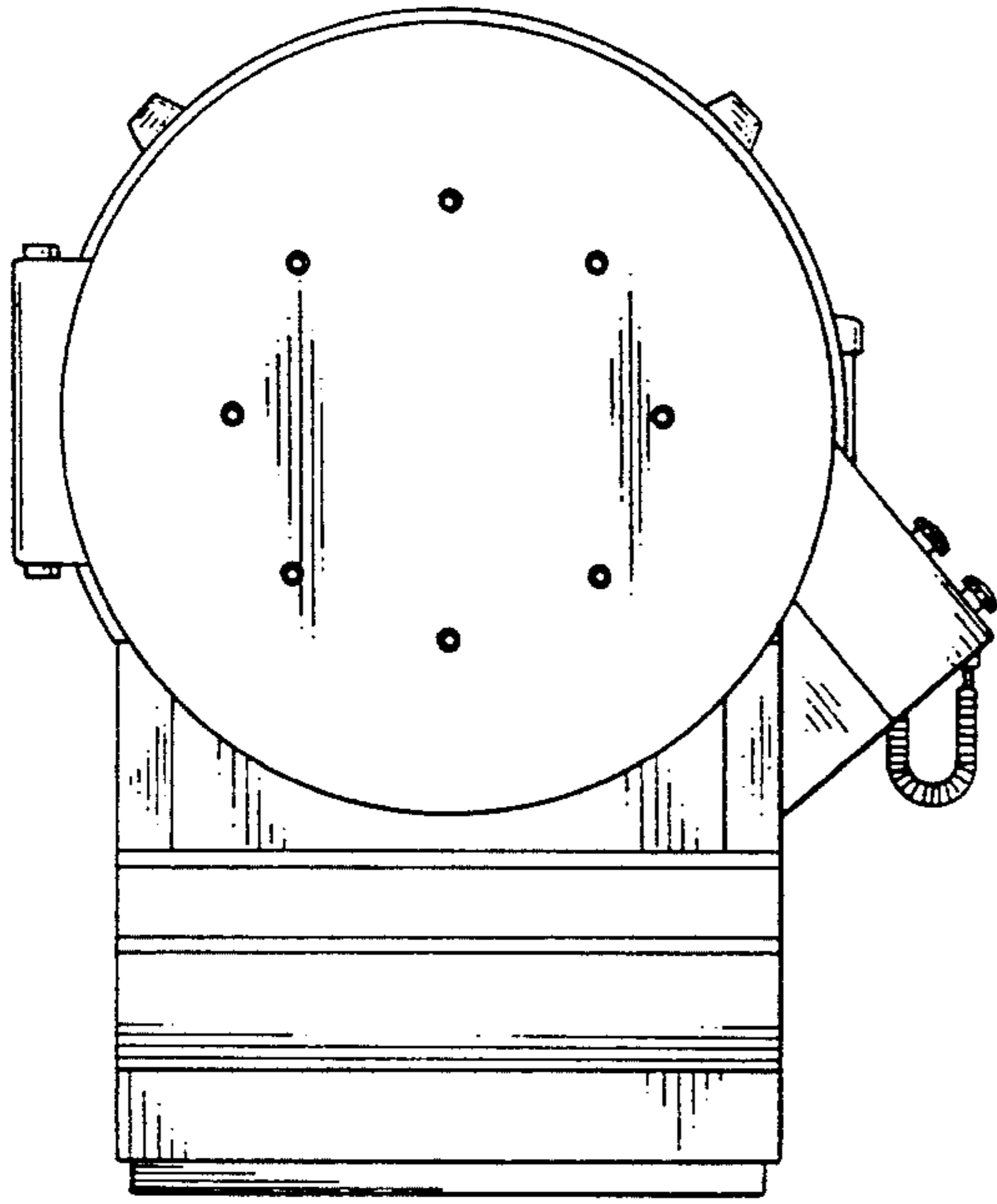


FIG. 3

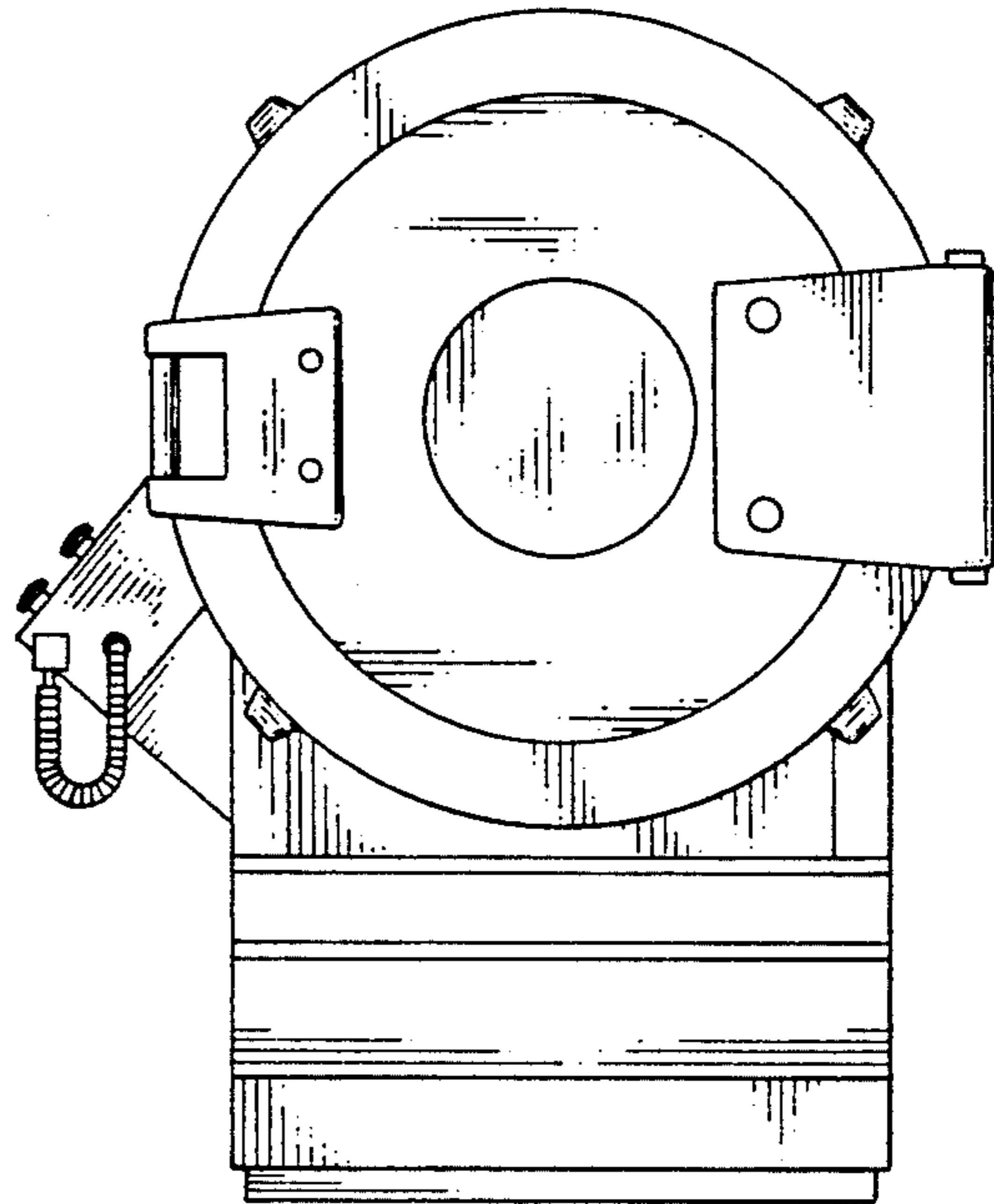


FIG. 4

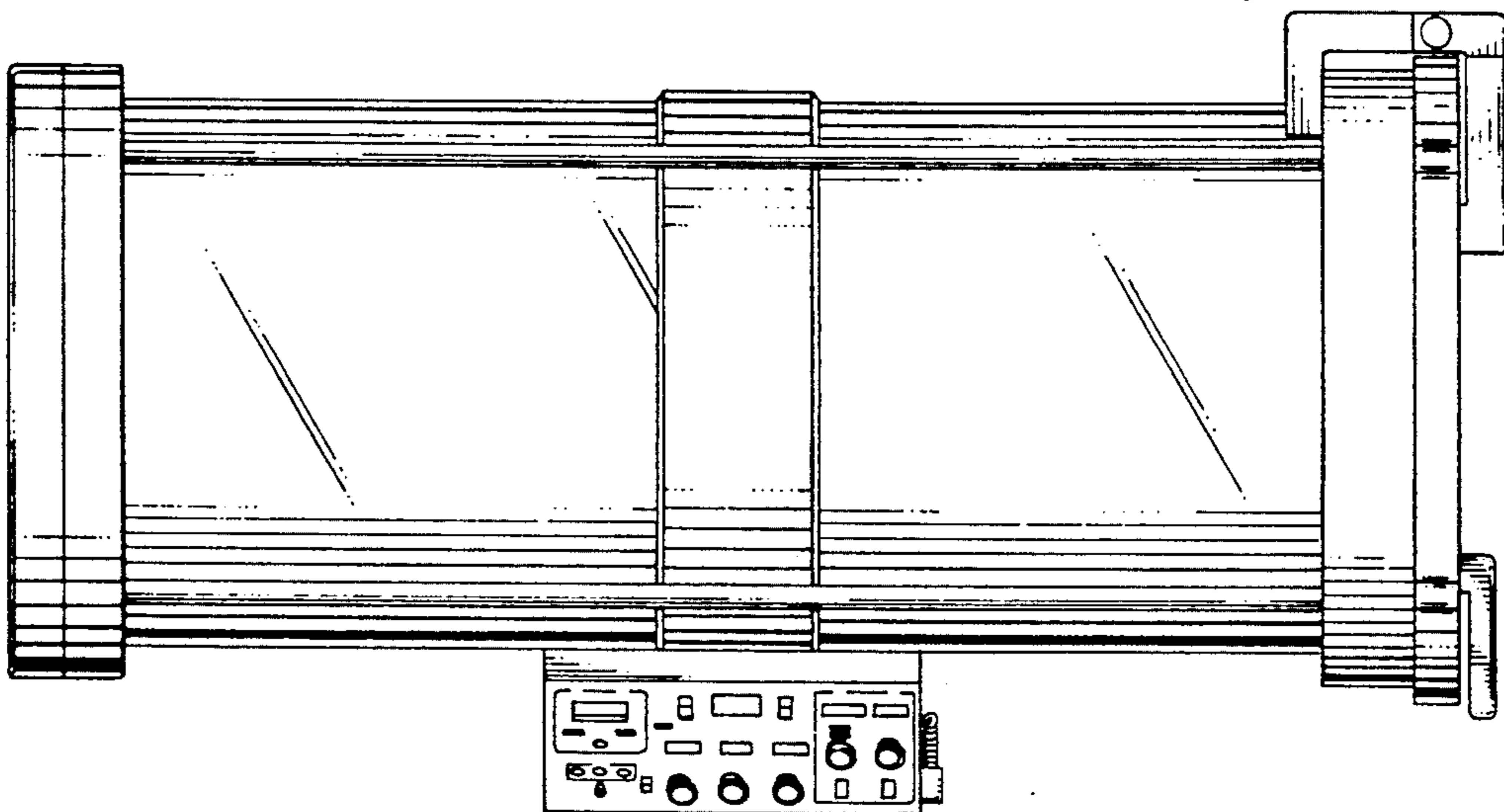


FIG. 5

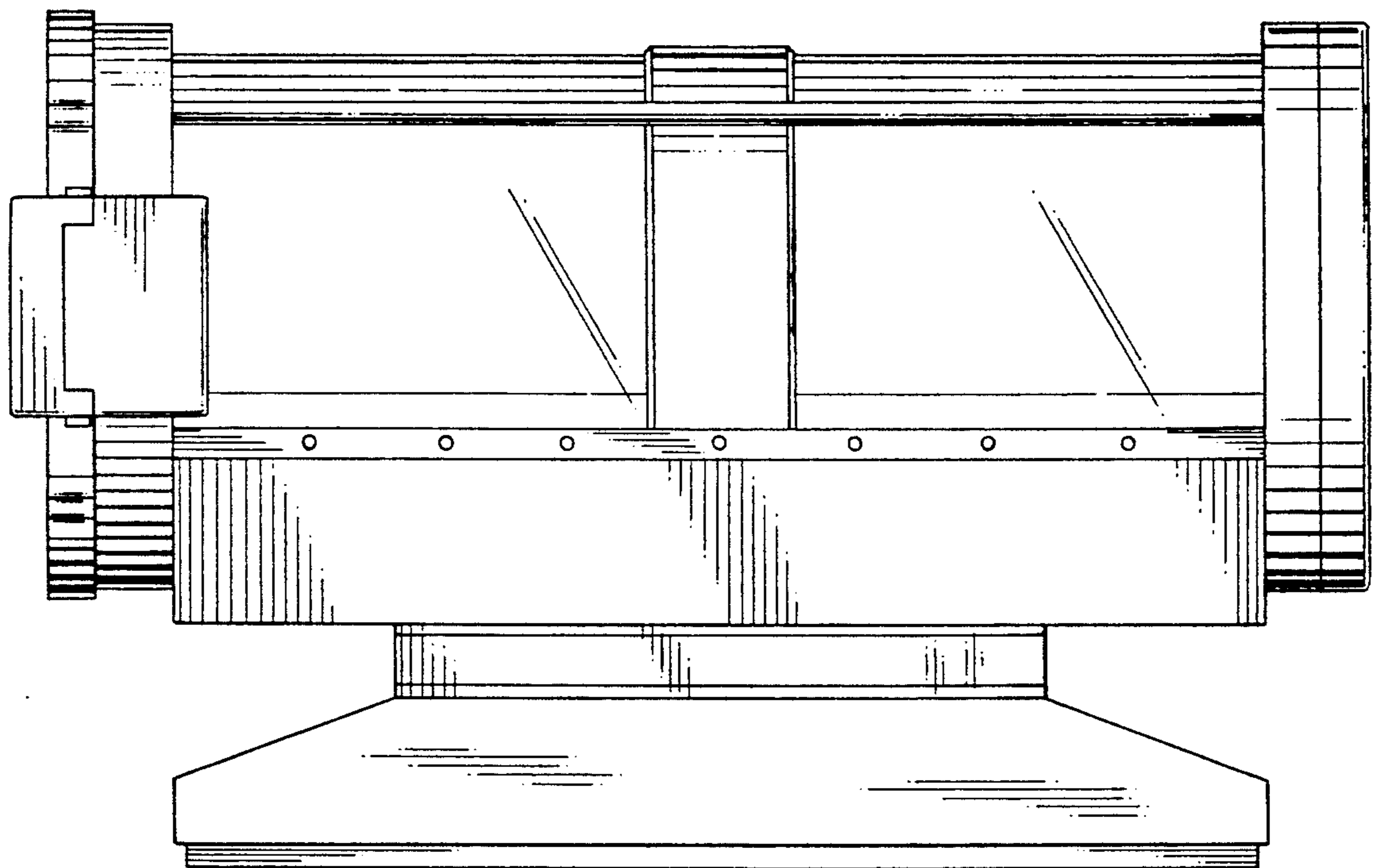


FIG. 6