



US00D346862S

# United States Patent [19]

[11] Patent Number: **Des. 346,862**

Koros et al.

[45] Date of Patent: **\*\* May 10, 1994**

[54] **REVERSE ACTION SURGICAL NEEDLE HOLDER**

[76] Inventors: **Tibor Koros; Gabriel Koros**, both of 610 Flinn Ave., Moorpark, Calif. 93021

[\*\*] Term: **14 Years**

[21] Appl. No.: **665,750**

[22] Filed: **Mar. 7, 1991**

[52] U.S. Cl. .... **D24/143**

[58] Field of Search ..... 606/107, 148, 162, 174, 606/205, 206, 207, 208, 210, 213, 215, 218, 227; **D24/143**

[56] **References Cited**

**U.S. PATENT DOCUMENTS**

2,726,657	12/1955	Tabrah .....	606/208	X
3,913,586	10/1975	Baumgarten .....	606/205	
5,002,554	3/1991	Korber .....	606/207	X
5,104,397	4/1992	Vasconcelos et al. ....	606/206	

**OTHER PUBLICATIONS**

Sklar Products "eye instruments" p. 249 item 65-6357, 65-6445 ©1982.

Sklar Products "Gynecological instruments" p. 360 item 65-6552 ©1982.

*Primary Examiner*—A. Hugo Word

*Assistant Examiner*—I. Simmons

*Attorney, Agent, or Firm*—Jessup & Slehofer

[57] **CLAIM**

The ornamental design for a reverse action surgical needle holder, as shown and described.

**DESCRIPTION**

FIG. 1 is a top plan view of a reverse action surgical needle holder showing our new design;

FIG. 2 is a left side elevational view thereof, the right side elevational view being identical thereto;

FIG. 3 is a top plan view thereof, shown in compressed form with the jaws in open position;

FIG. 4 is a cross-sectional view thereof, taken along the line 4—4 of FIG. 2;

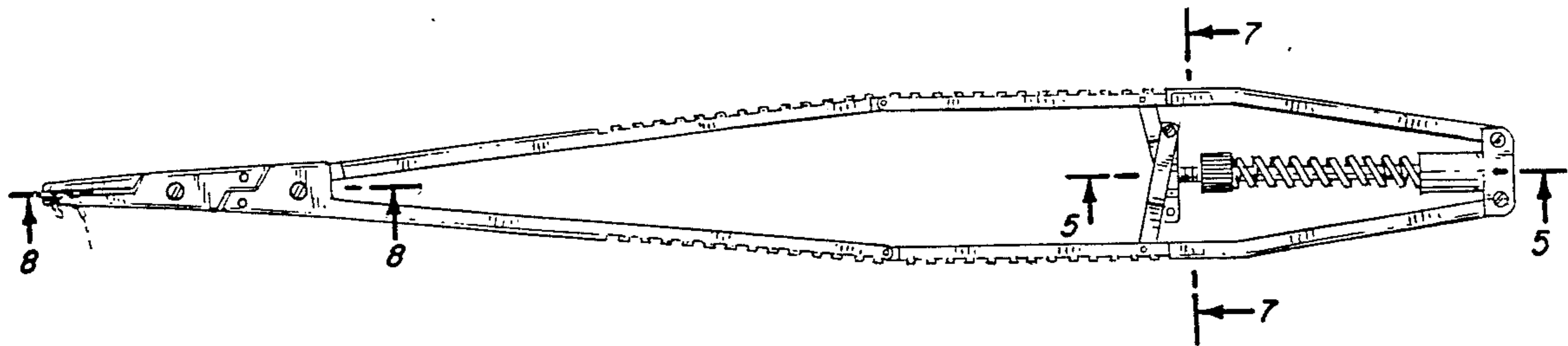
FIG. 5 is an enlarged partial cross-sectional view thereof, taken along the line 5—5 of FIG. 1;

FIG. 6 is an enlarged partial cross-section view thereof, taken along the line 6—6 of FIG. 5;

FIG. 7 is an enlarged partial cross-sectional view thereof, taken along the line 7—7 of FIG. 1; and,

FIG. 8 is a partial enlarged cross-sectional view thereof, taken along the line 8—8 of FIG. 1.

The broken line showing of the suture needle in FIGS. 1-4 is for illustrative purposes only and forms no part of the claimed design.



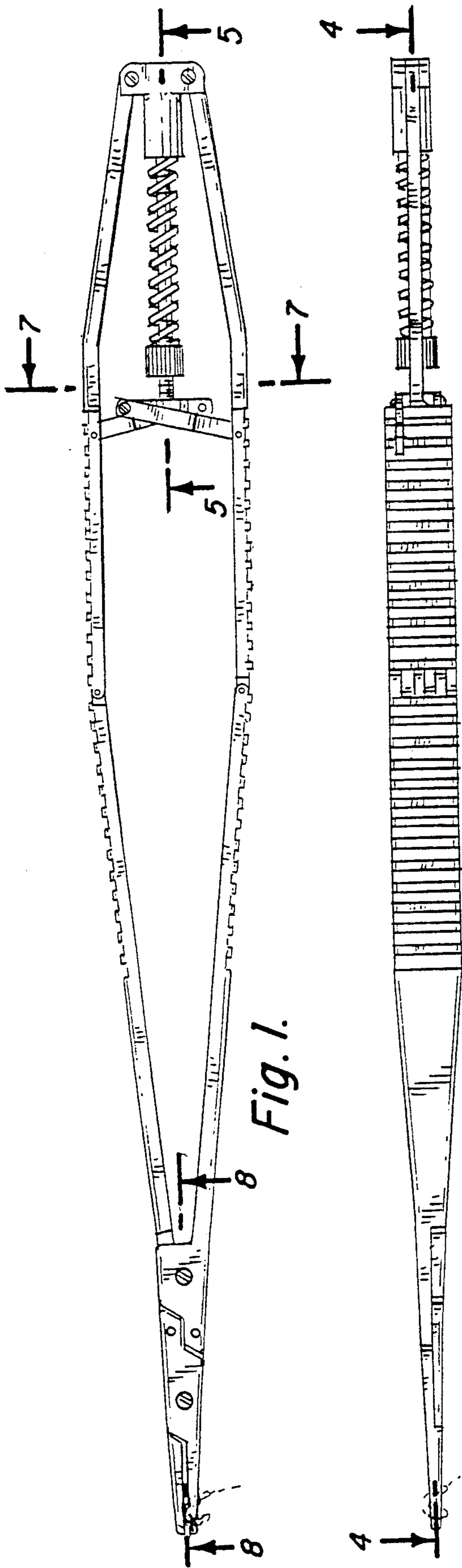


Fig. 2.

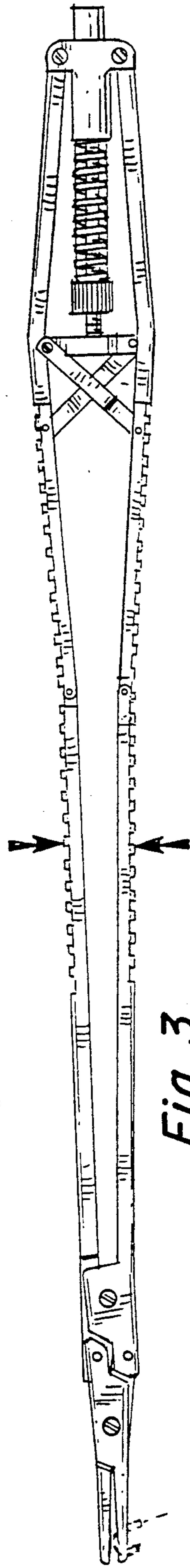


Fig. 3.

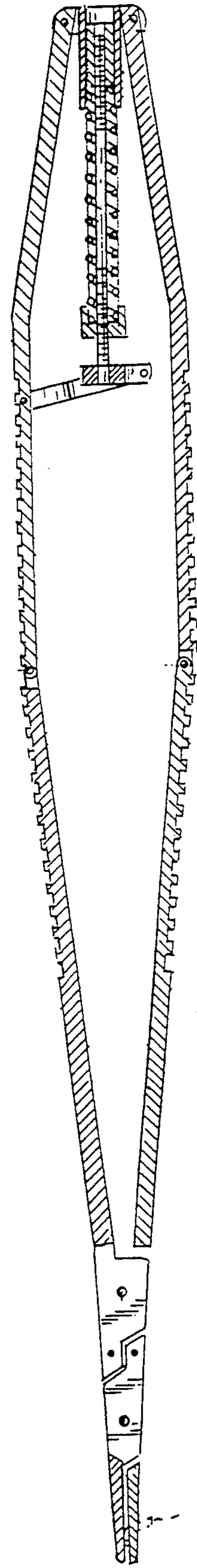
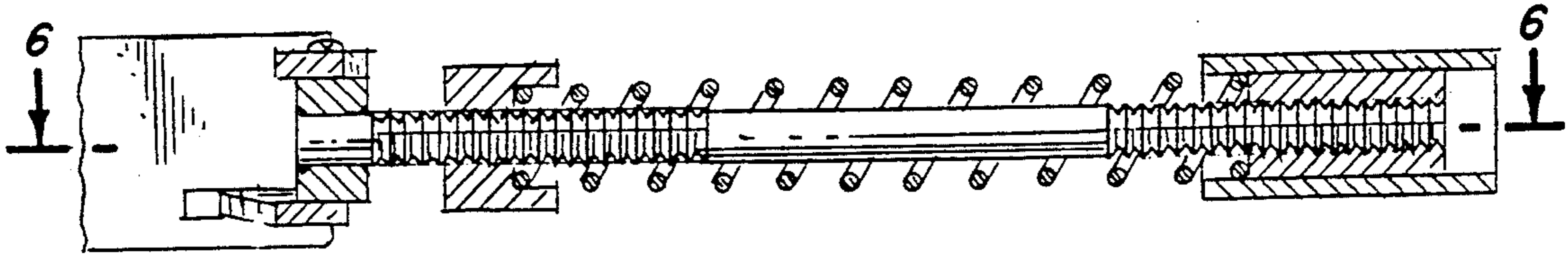
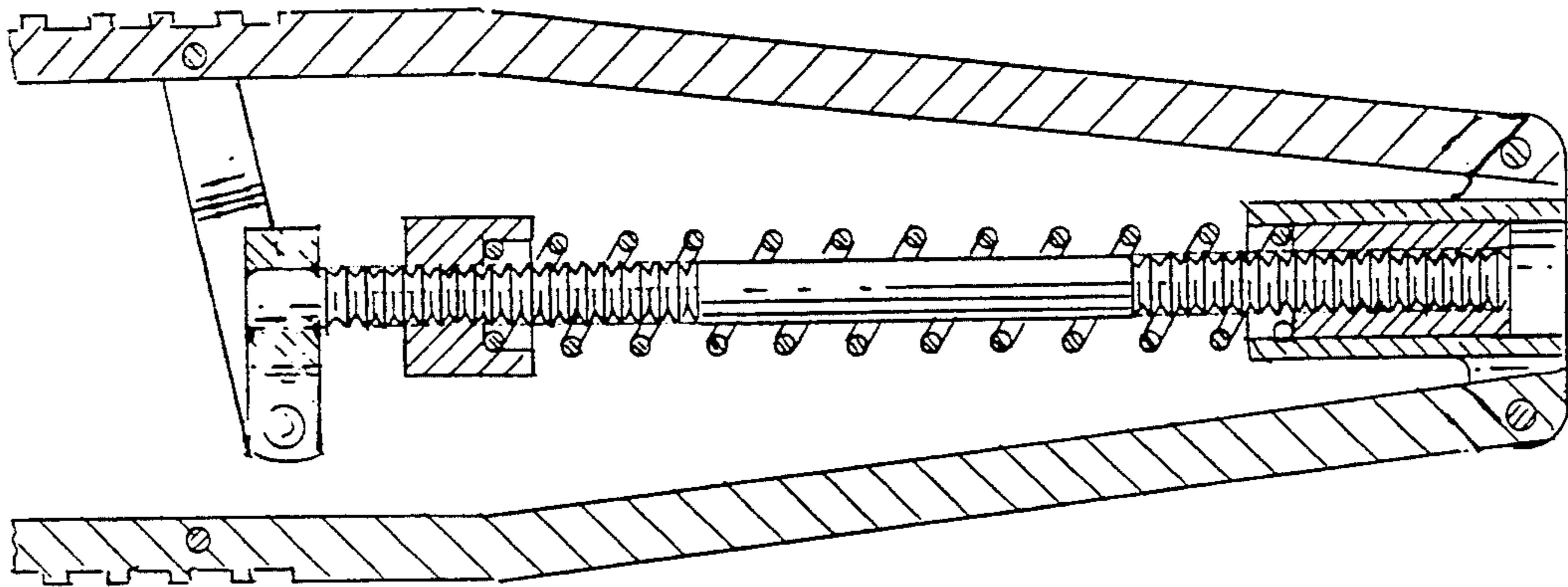


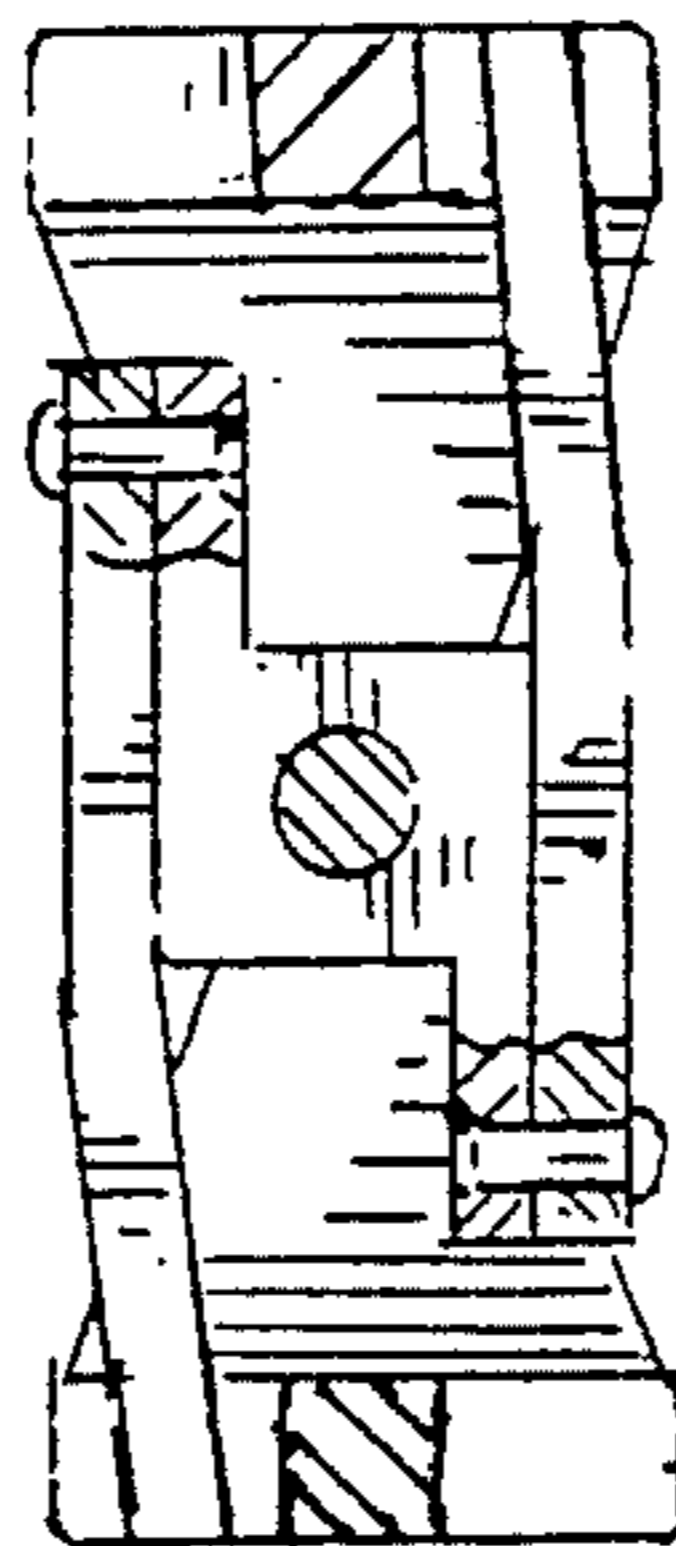
Fig. 4.



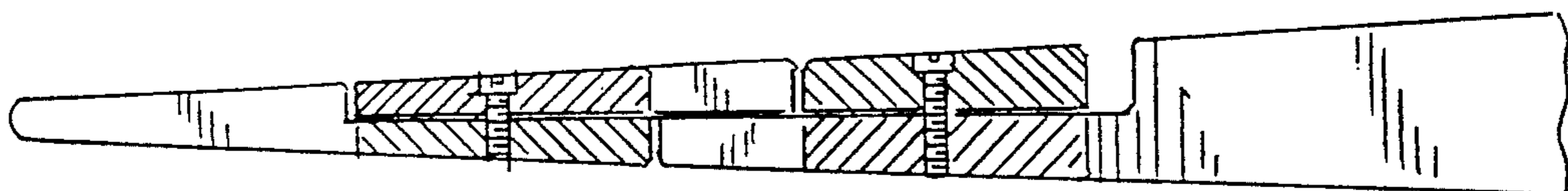
*Fig. 5.*



*Fig. 6.*



*Fig. 7.*



*Fig. 8.*